



A TEREX BRAND

# *Parts Manual*

Serial Number Range

***S-60***

from SN 9154 to 21000

***S-65***

***S60 HC***

***S-60 TraX***

***S-65 TraX***

Part No. 77827

Rev J2

January 2015

## Technical Publications

Genie has endeavored to deliver the highest degree of accuracy possible. However, continuous improvement of our products is a Genie policy. Therefore, product specifications are subject to change without notice.

Readers are encouraged to notify Genie of errors and send in suggestions for improvement. All communications will be carefully considered for future printings of this and all other manuals.

## Contact Us:

<http://www.genielift.com>

e-mail: [awp.techpub@terex.com](mailto:awp.techpub@terex.com)

## Serial Number Information


Genie Industries offers the following Parts Manuals for these models:

Title	Part No
Genie S-60 Parts Manual (to serial number 652).....	28780
Genie S-60 and S-65 Parts Manual (from serial number 653 to 2574) .....	34477
Genie S-60 and S-65 Parts Manual (from serial number 2575 to 9153) .....	48411

Copyright © 1992 by Terex Corporatin

77827 Rev H October 2009  
First Edition, Eighth Printing

Genie is a registered trademark of Terex South Dakota, Inc. in the USA and many other countries. "S" is a trademark of Terex South Dakota, Inc.

 Printed on recycled paper



A TEREX BRAND

**Model:** S-60

**Serial number:** S6001-12345

**Model year:** 2005 **Manufacture date:** 04/12/01

**Electrical schematic number:** E0186

**Machine unladen weight:** 20,736lbs / 9,406kg  
Foam Tires add 764 lbs/347 kg to weight

**Rated work load (including occupants):** 500 lb / 227 kg

**Maximum number of platform occupants:** 2

**Maximum allowable side force :** 150 lb / 670 N

**Maximum allowable inclination of the chassis:**

Air Tires 2 deg / Foam Tires 4.5 deg

**Maximum wind speed :** 28 mph/ 12.5 m/s

**Maximum platform height :** 60 ft 2 in/ 18.3 m

**Maximum platform reach :** 50 ft 4 in/ 15.3 m

**Gradeability:** 45%

**Country of manufacture:** USA

**This machine complies with:**

ANSI A92.5

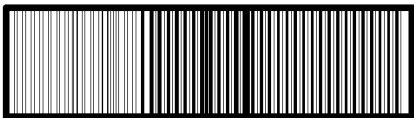
CAN B.354.4

**Terex South Dakota, Inc.**

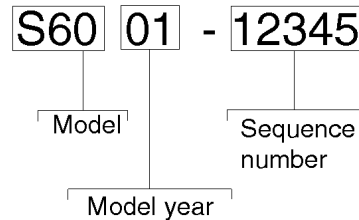
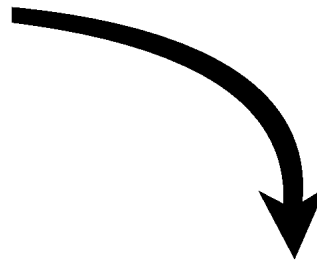
**18340 NE 76th Street**

**Redmond, WA 98052**

**USA**



11100011



Serial label  
(located under cover)

Serial number  
stamped on chassis

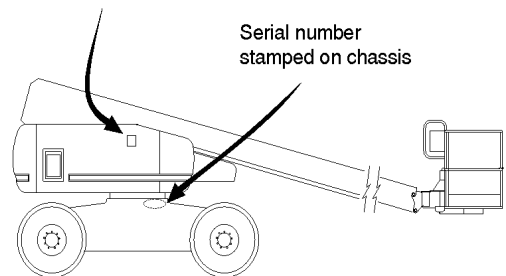


Table of Contents

This manual is updated frequently. If you have a printed manual, you can keep it up to date by downloading new figures from the Genie website at [www.genielift.com](http://www.genielift.com). For the most up-to-date parts information, visit the Parts Lookup System on the Genie website at [www.genielift.com](http://www.genielift.com).

How to Read Your Serial Number.....3  
 Parts Stocking List.....9  
 How to Order Parts.....10  
 Service Parts Fax Order Form.....11

**Electronic Version**

Click on any page number to view the figure.

**100 Decals**

101.1 S-60 & S-65 Decals with Words (to SN 17349).....12  
 102.1 S-60 & S-65 Decals with Symbols (to SN 17349).....16  
 103.1 S-60 Decals with Word, Hydraulic Tank Side (ANSI & Australia) (from SN 17350).....18  
 104.1 S-60 Decals with Word, Engine Side (ANSI & Australia) (from SN 17350).....20  
 105.1 S-60 Decals with Word, Boom (ANSI & Australia) (from SN 17350).....22  
 106.1 S-60 Decals with Word, Platform (ANSI & Australia) (from SN 17350).....24  
 107.1 S-60 Decals with Symbol, Hydraulic Tank Side (CE) (from SN 17350).....26  
 108.1 S-60 Decals with Symbol, Engine Side (CE) (from SN 17350).....28  
 109.1 S-60 Decals with Symbol, Boom (CE) (from SN 17350).....30  
 110.1 S-60 Decals with Symbol, Platform (CE) (from SN 17350).....32  
 111.1 S-65 Decals with Word, Hydraulic Tank Side (ANSI & Australia) (from SN 17350).....34  
 112.1 S-65 Decals with Word, Engine Side (ANSI & Australia) (from SN 17350).....36  
 113.1 S-65 Decals with Word, Boom (ANSI & Australia) (from SN 17350).....38  
 114.1 S-65 Decals with Word, Platform (ANSI & Australia) (from SN 17350).....40  
 115.1 S-65 Decals with Symbol, Hydraulic Tank Side (ANSI & CE) (from SN 17350).....42  
 116.1 S-65 Decals with Symbol, Engine Side (ANSI & CE) (from SN 17350).....44  
 117.1 S-65 Decals with Symbol, Boom (ANSI & CE) (from SN 17350).....46

118.1 S-65 Decals with Symbol, Platform (ANSI & CE) (from SN 17350).....48  
 119.1 S-60HC Decals with Word, Hydraulic Tank Side (ANSI & Australia) (from SN 17350).....50  
 120.1 S-60HC Decals with Word, Engine Side (ANSI & Australia) (from SN 17350).....52  
 121.1 S-60HC Decals with Word, Boom (ANSI & Australia) (from SN 17350).....54  
 122.1 S-60HC Decals with Word, Platform (ANSI & Australia) (from SN 17350).....56  
 123.1 S-60HC Decals with Symbol, Hydraulic Tank Side (ANSI & CE) (from SN 17350).....58  
 124.1 S-60HC Decals with Symbol, Engine Side (ANSI & CE) (from SN 17350).....60  
 125.1 S-60HC Decals with Symbol, Boom (ANSI & CE) (from SN 17350).....62  
 126.1 S-60HC Decals with Symbol, Platform (ANSI & CE) (from SN 17350).....64  
 127.1 S-60TraX Decals with Word, Hydraulic Tank Side (ANSI & Australia) (from SN 17350).....66  
 128.1 S-60TraX Decals with Word, Engine Side (ANSI & Australia) (from SN 17350).....68  
 129.1 S-60TraX Decals with Word, Boom (ANSI & Australia) (from SN 17350).....70  
 130.1 S-60TraX Decals with Word, Platform (ANSI & Australia) (from SN 17350).....72  
 131.1 S-60TraX Decals with Symbol, Hydraulic Tank Side (ANSI & CE) (from SN 17350).....74  
 132.1 S-60TraX Decals with Symbol, Engine Side (ANSI & CE) (from SN 17350).....76  
 133.1 S-60TraX Decals with Symbol, Boom (ANSI & CE) (from SN 17350).....78  
 134.1 S-60TraX Decals with Symbol, Platform (ANSI & CE) (from SN 17350).....80  
 135.1 S-65TraX Decals with Word, Hydraulic Tank Side (ANSI & Australia) (from SN 17350).....82  
 136.1 S-65TraX Decals with Word, Engine Side (ANSI & Australia) (from SN 17350).....84  
 137.1 S-65TraX Decals with Word, Boom (ANSI & Australia) (from SN 17350).....86  
 138.1 S-65TraX Decals with Word, Platform (ANSI & Australia) (from SN 17350).....88  
 139.1 S-65TraX Decals with Symbol, Hydraulic Tank Side (ANSI & CE) (from SN 17350).....90  
 140.1 S-65TraX Decals with Symbol, Engine Side (ANSI & CE) (from SN 17350).....92  
 141.1 S-65TraX Decals with Symbol, Boom (ANSI & CE) (from SN 17350).....94  
 142.1 S-65TraX Decals with Symbol, Platform (ANSI & CE) (from SN 17350).....96

**200 Drive Chassis Components**

201.1 Steer End (to SN 10344).....	98
201.2 Steer End (from SN 10345).....	102
202.1 Non-steer End.....	106
203.1 Oscillate Valve.....	108
204.1 TraX Option Steer End.....	110
205.1 TraX Option Non-Steer End.....	112
206.1 TraX Option Components.....	114

**300 Turntable Components**

301.1 Tank Side - View 1.....	116
302.1 Tank Side - View 2.....	118
303.1 Turntable Covers.....	120
304.1 Engine Side.....	122
305.1 Ground Control Box - View 1 (to SN 20420).....	126
305.2 Ground Control Box - View 1 (from SN 20421).....	130
306.1 Ground Control Box - View 2 (to SN 20420).....	134
306.2 Ground Control Box - View 2 (from SN 20421).....	136
307.1 Wire Harness Diagram (to SN 20420).....	138
307.2 Wire Harness Diagram (from SN 20421).....	142
308.1 S-60 HC Turntable - View 1.....	146
309.1 S-60 HC Turntable - View 2.....	148

**400 Manifolds and Pumps**

401.1 Function Manifold.....	150
402.1 Traction Manifold, 2WD.....	154
403.1 Traction Manifold, 4WD (to serial number 21231).....	156
403.2 Traction Manifold, 4WD (from serial number 21232).....	158
404.1 Platform Rotate and Jib Boom/Platform Rotate Manifold.....	160
405.1 Pumps.....	162
406.1 Brake and 2 Speed Manifold.....	164

**500 Engine Components**

501.1 GM 3.0 Liter.....	166
502.1 Deutz F4L1011 (to SN 9718).....	168
502.2 Deutz F3L2011/D2011L03i (from SN 9719).....	172
503.1 Perkins 704-30 (to SN 9693).....	176
503.2 Perkins 404-22 (from SN 9694).....	180
504.1 Ford LRG-425 EFI Engine - View 1 (to SN 14053).....	184
505.1 Ford LRG-425 EFI Engine - View 2 (to SN 14053).....	188
506.1 Ford DSG-423 Engine - View 1 (from SN 14054).....	190
507.1 Ford DSG-423 Engine - View 2 (from SN 14054).....	192
508.1 Ford DSG-423 Engine - View 3 (from SN 14054).....	194
509.1 Ford DSG-423 Engine - View 4 (from SN 14054).....	196
510.1 Deutz BF4L-2011/TD2011-L04i Engine - View 1.....	198
511.1 Deutz BF4L-2011/TD2011-L04i Engine - View 2.....	202

**600 Boom Structure Components**

601.1 Linkage Assembly (to SN 15752).....	204
601.2 Linkage Assembly (from SN 15753).....	208
602.1 Boom Components - View 1.....	212
603.1 Boom Components - View 2.....	216
604.1 Boom Components - View 3.....	218
605.1 S-60 HC Primary Boom - View 1 (to SN 19038).....	220
606.1 S-60 HC Primary Boom - View 2 (to SN 19038).....	222
606.2 S-60 HC Primary Boom - View 2 (from SN 19039).....	224
607.1 Cable Track (to SN 16340).....	226
607.2 Cable Track (from SN 16341).....	228
608.1 Jib Detail.....	230

**700 Platform Components**

701.1 Platform Configurations.....	232
702.1 Platform Configurations - Platform Overload Option.....	236
703.1 Platform Control Box - View 1.....	238
704.1 Platform Control Box - View 2.....	242
705.1 Standard Joystick (To SN 14781).....	244
705.2 Standard Joystick (from SN 14782).....	246
706.1 Optional Joystick (to SN 14781).....	248
706.2 Optional Joystick (from SN 14782).....	250
707.1 S-60 HC Platform Overload.....	252

**800 Hydraulic Hoses and Fittings**

801.1 Function Manifold - View 1.....	254
802.1 Function Manifold - View 2.....	258
803.1 4WD Traction Manifold.....	260
804.1 2WD Traction Manifold.....	262
805.1 Oscillate Option.....	264
806.1 Hydraulic Generator Option.....	266
807.1 Hydraulic Oil Cooler Option.....	268

**900 Accessories**

901.1 Alarm and Beacon Package.....	270
902.1 Platform Accessories.....	272
903.1 Air Line and Power to Platform.....	274
904.1 Belt Driven Generator Option.....	276
905.1 Hostile Environment Package, Boom Wipers (to SN 15854).....	278
905.2 Hostile Environment Package, Boom Wipers (from SN 15855).....	280
906.1 Tri-Entry Platform Option.....	282
907.1 Hydraulic Generator Option.....	284
908.1 Gauge Option.....	286
909.1 Hostile Environment Package, Turntable Components.....	288
910.1 Hostile Environment Package, Cylinder Bellows and Cable Track Protection.....	290

---

**Table of Contents (continued)**

911.1 Hostile Environment Package, Engine Air Pre-Cleaners.....	292
912.1 Welder Option - Chassis components.....	294
913.1 Welder Option - Platform Components.....	296
914.1 Welder Option - Hydraulic Hoses and Fittings.....	298
915.1 Aircraft Protection Package - Standard (to SN 20267).....	300
915.2 Aircraft Protection Package - Standard (from SN 20268).....	302
916.1 Aircraft Protection Package - Deluxe (to SN 20267).	304
916.2 Aircraft Protection Package - Deluxe (from SN 20268).....	306
917.1 Welder Option - Generator Components.....	308
918.1 Hydraulic Oil Cooler Option.....	310
919.1 Cold Start Option.....	312
920.1 Panel Cradle.....	314
921.1 Tow Package.....	316
<b>Indices</b>	
Part Number Index.....	318
Part Description Index.....	327
<b>Cross References</b>	
Fittings Cross Reference.....	340

***This Page Intentionally Left Blank***





## Required Parts

The following parts are required to perform maintenance procedures as outlined in the *Genie S-60 and S-65 Service Manual*.

### All Models:

Description	Part No.
Hydraulic Tank Filter Element Kit.....	77353
High and Medium Pressure Filter Element.....	60857
Wheel Lug Nuts.....	77674
Lithium Based Grease.....(source locally)	
Dielectric Grease.....	66399
Drive Hub Oil (refer to service manual) ...(source locally)	

### GM 3.0 Liter Models:

Description	Part No.
Air Filter Element.....	77295
Engine Oil Filter.....	65623
Spark Plug.....	65622
Distributor Cap.....	65624
Distributor Rotor.....	65625
Fuel Filter.....	65626
LPG Filter.....	65627
Medium Pressure Filter.....	77139
High Pressure Filter.....	60334
Fan Belt.....	65621

### Perkins 404-22 Models:

Description	Part No.
Air Filter Element.....	62420
Fuel/water Separator Element.....	62433
Engine Oil Filter.....	94762
V-belt.....	89765
Fuel Filter.....	72346

### Deutz F4L-3011 Models (to SN 9718):

Description	Part No.
Air Filter.....	27916
Fuel/water Separator Element.....	29560
Engine Oil Filter.....	49924
V-belt.....	32698

### Deutz F3L-2011 Models (from SN 9719):

Description	Part No.
Air Filter.....	27916
Fuel/water Separator Element.....	29560
Engine Oil Filter.....	49924
V-belt.....	32698

### Ford LRG-425 EFI Models (to SN 14053):

Description	Part No.
Fuel Pre-Filter.....	52179
Fuel Pressure Regulator/Filter.....	58967
Engine Oil Filter.....	28656
Air Filter Element.....	77295
Serpentine Belt.....	52580
PCV Valve.....	33957
Spark Plug.....	106490

### Ford DSG-423 EFI Models (from SN 14054):

Description	Part No.
Fuel Pre-Filter.....	52761
Fuel Pressure Regulator/Filter.....	119491
Engine Oil Filter.....	119139
Air Filter Element.....	77295
Serpentine Belt.....	119138
PCV Valve.....	119474
Spark Plug.....	119495

## Recommended Parts

Description	Part No.
Genie Blue Paint, 1 Gallon.....	32150
Genie Blue Paint, 12 Ounce Aerosol.....	1484
Genie Gray Paint, 1 Gallon.....	32151
Genie Gray Paint, 12 Ounce Aerosol.....	1268
Plug and Cap Kit (for ORFS fittings).....	49613

## Manuals

Genie Industries offers the following support documents for these models:

Title	Part No.
Genie S-60 and S-65 Operator's Manual (from SN 9154 to 12780).....	82407
Genie S-60 and S-65 Operator's Manual (from SN 12781 to 17349).....	110018
Genie S-60 and S-65 Operator's Manual (from SN 17350).....	114306
Genie S-60 and S-65 Service Manual.....	77828
EMI Safety Manual.....	27581
Manual of Responsibilities ANSI A92.5.....	31779

## How To Order Parts

Please be prepared with the following information when ordering replacement parts for your Terex or Genie product:

- Machine model number
- Machine serial number
- Part number
- Part description and quantity
- Purchase order number
- "Ship to" address
- Desired method of shipment
- Name and telephone number of the authorized distributor in your area

Use the Service Parts Fax Order Form on the next page and fax your order to our Parts Department.

If you don't know the name of your authorized distributor, or if your area is not currently serviced by an authorized distributor, please call Terex or Genie Industries.

### Machine Information

---

Model

---

Serial Number

---

Date of Purchase

---

Authorized Genie Distributor

---

Phone Number

#### North America

Telephone (425) 556-6551  
 Toll Free (877) 367-5606 in U.S.A. and Canada  
 Fax (425) 556-8659  
 Toll Free Fax (888) 274-6192

#### Europe

Parts Telephone (31) (165) 519 313  
 Parts Fax (31) (165) 511 148

#### Australia

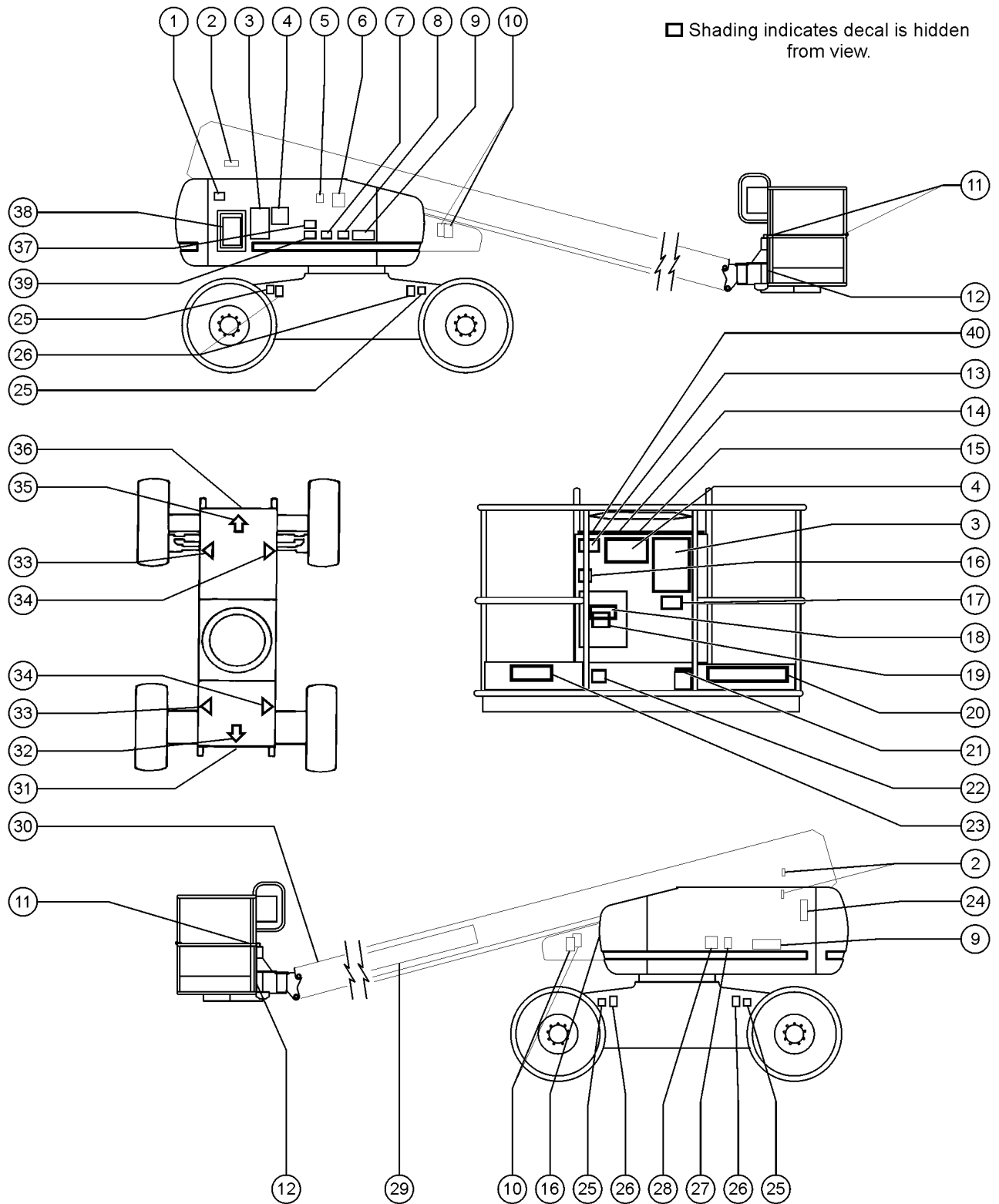
Parts Telephone (61) (7) 3456 4444  
 Parts Fax (61) (7) 3456 4466

#### South America

Parts Telephone (55) (11) 4082 5600  
 Parts Fax (55) (11) 4082 5630



101.1 S-60 & S-65 Decals with Words (to SN 17349)



101.1 S-60 & S-65 Decals with Words (to SN 17349)

Item	Part No.	Description	Qty.	Item	Part No.	Description	Qty.
--	82408	DECAL KIT,WORDS,S60/65 <i>includes Items 1-4, 7, 9-13, 17, 19, 21, 26, 27, 28, 30 and 32-35</i>		23	97887	DECAL,INSTR,MAX SIDE FRC,ANSI.....1 <i>ANSI and CSA models</i>	1
1	82366	DECAL,CHEVRON RANDO HD.....1		--	44986	DECAL,INSTR,SIDE FRC/WIND,AUS.....1 <i>CE models</i>	1
2	31060	DECAL,DANGER DO NOT ALTER SWTC.....3		24	82679	DECAL,NOTICE,GM 3.0 ENG SPEC.....1	1
3	97890	DECAL,DANGER,GEN SAFETY RULES.....2		--	114169	DECAL,FORD ENGINE SPEC DSG423.....1 <i>from SN 14054</i>	1
4	82283	DECAL,NOTICE,OPER INST.IC***.....2		--	133238	DECAL,ENGINE SPEC,PERKINS***.....1 <i>for Tier III Engine; from SN 19607</i>	1
5	38149	DECAL,LABEL,PATENTS.....1		--	82644	DECAL, ENGINE SPEC, PERKINS.....1 <i>for Tier II Engine; to SN 19606</i>	1
6	77046	SERIAL # LABEL,MYLAR 4X8***.....1		--	128953	DECAL,ENGINE SPEC,DEUTZ,TD2011 <i>Turbo Deutz only</i>	
7	28171	DECAL,DANGER,NO SMOKING***.....2		--	82645	DECAL,NOTICE,DEUTZ ENG SPEC.....1 <i>to SN 9718</i>	1
8	28160	DECAL,LABEL,LIQUID PROPANE.....1 <i>Gasoline/LP models</i>		--	97548	DECAL,ENGINE SPEC,DEUTZ 2011 <i>from SN 9719</i>	
9	27564	DECAL,DANGER,ELEC.HAZ.STAY CLR.....3		25A	82549	DECAL,LABEL,WHEEL LOAD S60.....4	4
10	28161	DECAL,WARN,CRUSH HAZARD HAND.....4		25B	82550	DECAL,LABEL,WHEEL LOAD S65.....4	4
11	40434	DECAL,LANYARD ANCHORAGE POINT.....8		26	82677	DECAL,DANGER/LABEL,TIRE SPECS.....4	4
12	28177	DECAL,WARN,CRUSH HAZARD PLAT.....2		--	82678	DECAL,DANGER,HI-FLOAT TIRE 60*.....4	4
13	33952	DECAL,DANGER,TILT ALARM***.....1		27	28164	DECAL,NOTICE,HAZARDOUS MAT'LS*.....1	1
14	133518	DECAL, PATCH, GEN,ALC-500.....1		28	28175	DECAL,COMPARTMENT ACCESS.....1	1
15	82456	DECAL,PLAT CONTROL PANEL,S60.....1		29	62076	DECAL,COSMETIC,GENIE S-60.....1	1
16	28235	DECAL,POWER TO PLATFORM 115V.....2		29	62078	DECAL,COSMETIC,GENIE S65.....1	1
--	28174	DECAL,POWER TO PLATFORM 230V.....2		30	28181	DECAL,WARN,FALL HAZARD.....1	1
17	28236	DECAL,WARN,IMPROPER OPERATION.....1		31	52966	DECAL,COSMETIC,4 X 2.....1	1
18	82686	DECAL,DANGER,TIP-OVER,HI-CAP.1		--	52967	DECAL,COSMETIC,4 X 4.....1	1
19	28176	DECAL,LABEL,MANUAL NOT HERE.....1		32	27205	DECAL,ARROW YELLOW LRG 9".....1	1
20	30080	DECAL,NOTICE,MAX LOAD 500 LBS		33	27206	DECAL,TRIANGLE,BLUE.....2	2
--	43594	DECAL,NOTICE,MAX LOAD 750 LBS.....1		34	27207	DECAL,TRIANGLE,YELLOW.....2	2
21	28165	DECAL,INSTRUCT,FOOTSWITCH OPER.....1					
22	44981	DECAL,LABEL,AIRLINE 110 PSI.....1					

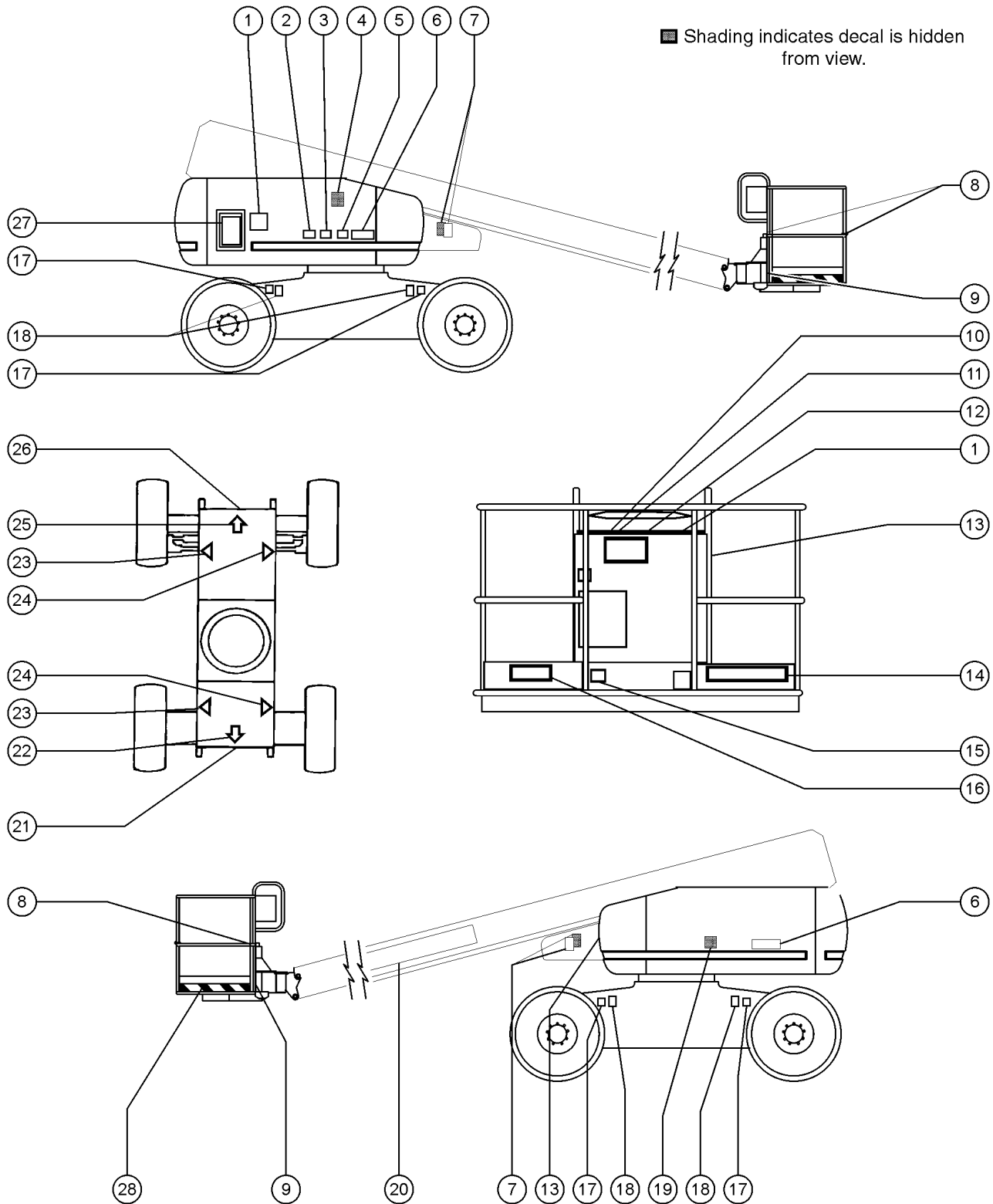


101.1 S-60 & S-65 Decals with Words (to SN 17349)  
 (continued)

Item	Part No.	Description	Qty.
35	27204	DECAL,ARROW BLUE.....	1
36	62077	DECAL,COSMETIC,S60.....	1
36	62079	DECAL,COSMETIC,S65.....	1
37	28158	DECAL,LABEL,UNLEADED GAS ONLY .....	2
		<i>Gasoline/LP models</i>	
--	28159	DECAL,DIESEL.....	2
		<i>Diesel models</i>	
38	82455	DECAL,GROUND CONTROL PANEL.....	1
39	133278	DECAL,LOW/ULTRA LOW SULFR FUEL.....	1
		<i>from SN 19607</i>	
40	46468	DECAL,FUNCTION OVERRIDE.....	1

***This Page Intentionally Left Blank***

102.1 S-60 & S-65 Decals with Symbols (to SN 17349)



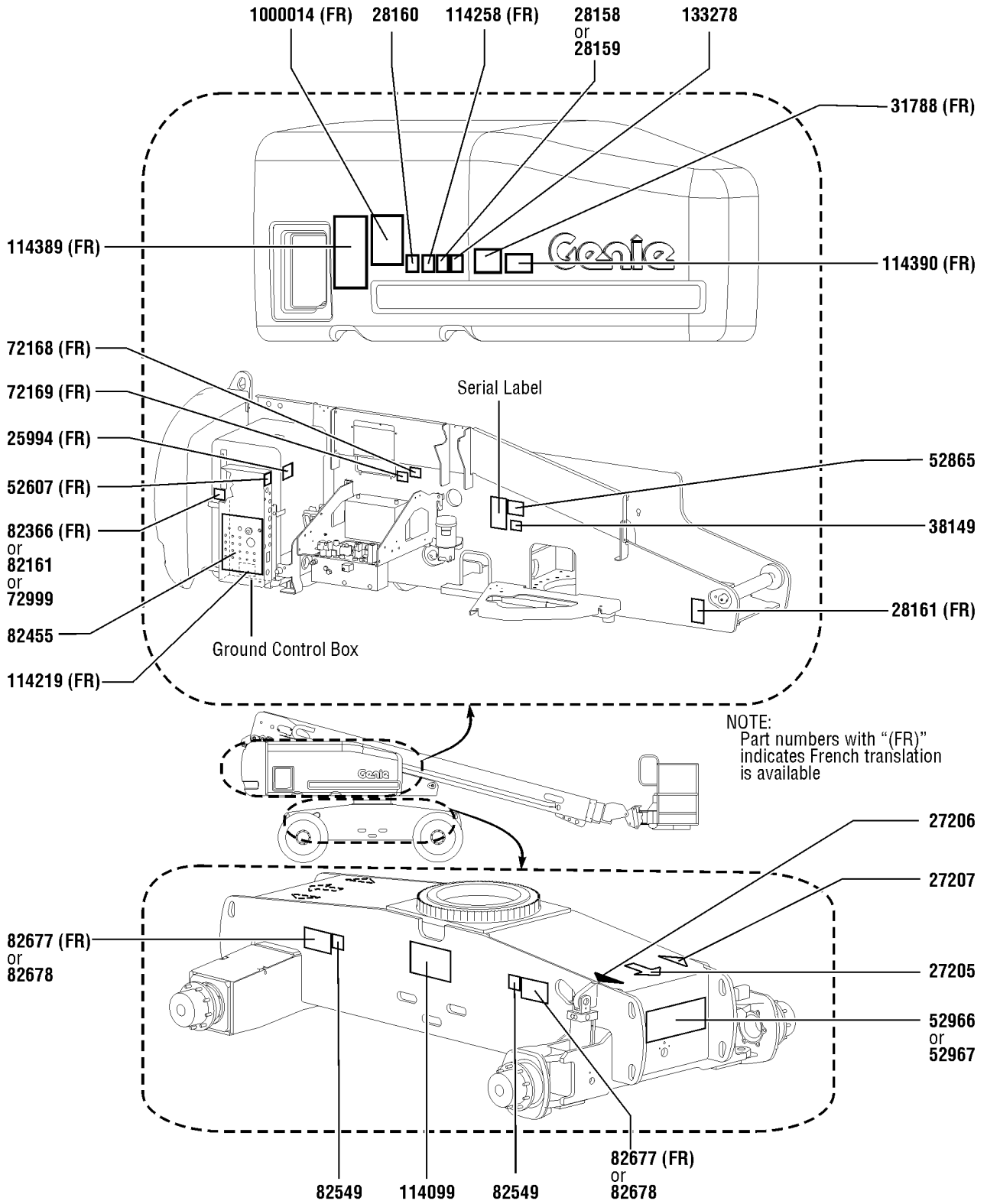


102.1 S-60 & S-65 Decals with Symbols (to SN 17349)

Item	Part No.	Description	Qty.	Item	Part No.	Description	Qty.
--	82760	DECAL KIT,SYMBOL,S60 <i>includes Items 1, 3, 6 - 9, and 22 - 25</i>		18	82552	DECAL,LABEL,TIRE PRESS HF S60.....	4
--	97815	DECAL,LABEL,LOWER MIDRAIL....	1	19	82473	DECAL,SYMBOL-COMP ACCESS.....	1
1	82487	DECAL,SYMBOL-READ THE MANUAL.....	1	20	62076	DECAL,COSMETIC,GENIE S-60....	1
2	28158	DECAL,LABEL,UNLEADED GAS ONLY.....	2	20	62078	DECAL,COSMETIC,GENIE S65....	1
--	28159	DECAL,DIESEL.....	2	21	52966	DECAL,COSMETIC,4 X 2.....	1
3	28171	DECAL,DANGER,NO SMOKING***.....	2	--	52967	DECAL,COSMETIC,4 X 4.....	1
4	77046	SERIAL # LABEL,MYLAR 4X8***.....	1	22	27205	DECAL,ARROW YELLOW LRG 9".....	1
5	28160	DECAL,LABEL,LIQUID PROPANE.....	1	23	27206	DECAL,TRIANGLE,BLUE.....	2
6	82544	DECAL,DANGER,ELEC.HAZ.STAY CLR.....	3	24	27207	DECAL,TRIANGLE,YELLOW.....	2
7	82472	DECAL,WARNING,CRUSHING HAZARD.....	4	25	27204	DECAL,ARROW BLUE.....	1
8	40434	DECAL,LANYARD ANCHORAGE POINT.....	4	26	62077	DECAL,COSMETIC,S60.....	1
9	82548	DECAL,WARN,CRUSH HAZARD PLAT.....	2	26	62079	DECAL,COSMETIC,S65.....	1
10	82646	DECAL,DRIVE ENABLE PATCH....	1	27	82455	DECAL,GROUND CONTROL PANEL.....	1
11	133518	DECAL, PATCH, GEN,ALC-500.....	1	28	33550	TAPE,WARNING,BLK/YEL, 50'***.....	1
12	82456	DECAL,PLAT CONTROL PANEL,S60.....	1				
13	28235	DECAL,POWER TO PLATFORM 115V.....	2				
--	28174	DECAL,POWER TO PLATFORM 230V.....	2				
14	82545	DECAL,DANGER,MAX LOAD 227 KG					
--	82547	DECAL,DANGER,MAX LOAD 340 KG.....	1				
15	44981	DECAL,LABEL,AIRLINE 110 PSI....	2				
16	82602	DECAL,DANGER,MAX SIDE FRC,667N.....	1				
--	82604	DECAL,DANGER,SIDE FRC 400N.....	1				
		<i>CE models</i>					
17	82549	DECAL,LABEL,WHEEL LOAD S60.....	4				
17	82550	DECAL,LABEL,WHEEL LOAD S65.....	4				
18	82551	DECAL,LABEL,TIRE PRESSURE S60.....	4				



103.1 S-60 Decals with Word, Hydraulic Tank Side (ANSI & Australia) (from SN 17350)

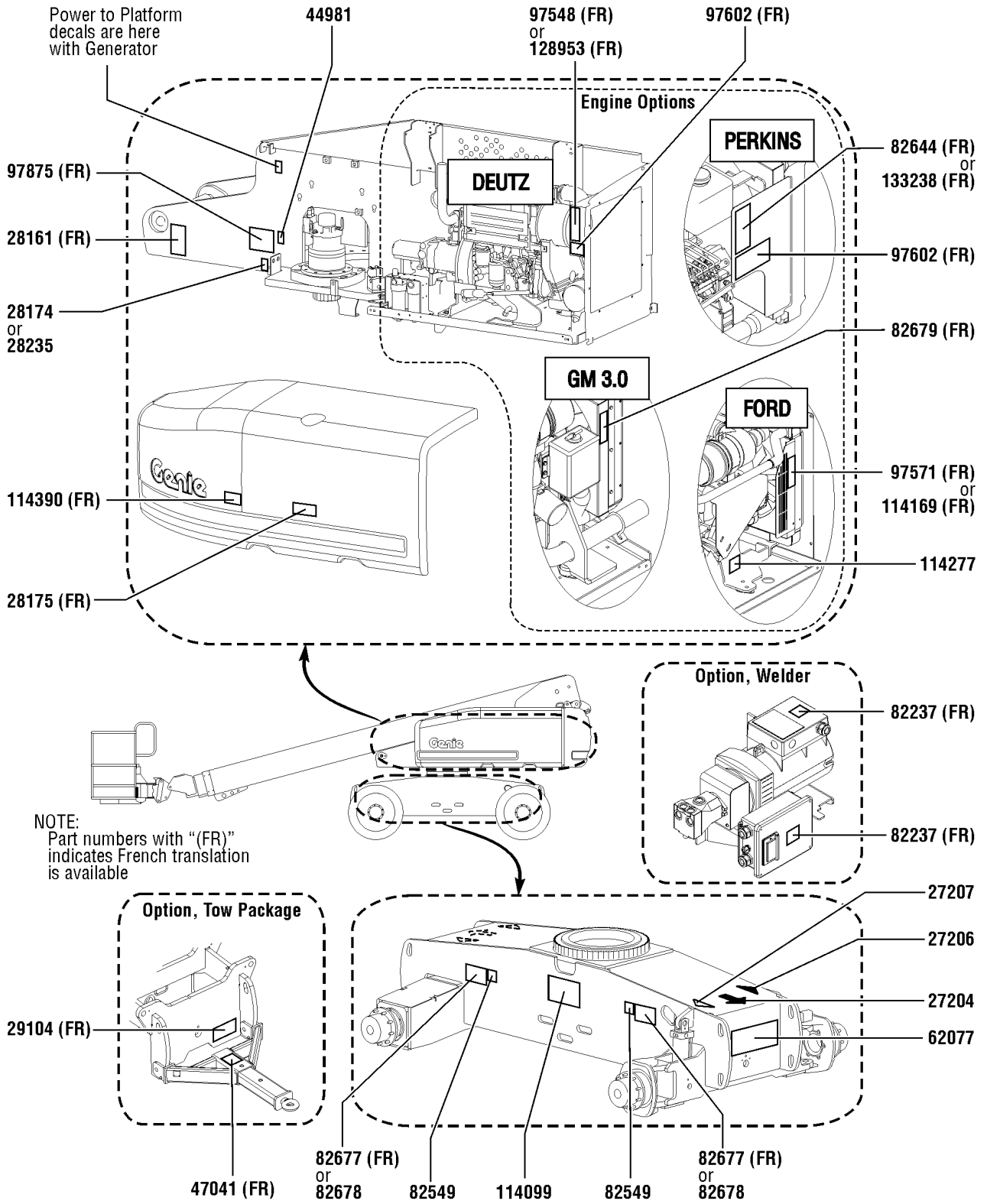


103.1 S-60 Decals with Word, Hydraulic Tank Side (ANSI & Australia) (from SN 17350)

Item	Part No.	Description	Qty.	Item	Part No.	Description	Qty.
1	25994	DECAL,NOTICE,SHUTOFF VALVES.....	1	22	82677	DECAL,DANGER/LABEL,TIRE SPECS.....	2
2	27205	DECAL,ARROW YELLOW LRG 9".....	1	23	82678	DECAL,DANGER,HI-FLOAT TIRE 60*.....	2
3	27206	DECAL,TRIANGLE,BLUE.....	1			<i>ANSI Only Option, High Floatation tires</i>	
4	27207	DECAL,TRIANGLE,YELLOW.....	1	24	114099	DECAL,LABEL,TRANSPORT DIAGRAM.....	1
5	28158	DECAL,LABEL,UNLEADED GAS ONLY.....	1	25	114219	DECAL,LABEL,RELAYS,S60&65.....	1
		<i>Option, Fuel</i>		26	114258	DECAL,DANGER,NO SMOKING.....	1
6	28159	DECAL,DIESEL.....	1	27	114389	DECAL,DANGER,GENERAL SAFETY.....	1
		<i>Option, Fuel</i>		28	114390	DECAL,DANGER,ELECT HAZARD***.....	1
7	28160	DECAL,LABEL,LIQUID PROPANE.....	1			<i>HAZARD***</i>	
		<i>Option, LPG tank</i>		29	133278	DECAL,LOW/ULTRA LOW SULFR FUEL.....	1
8	28161	DECAL,WARN,CRUSH HAZARD HAND.....	1			<i>Diesel models only</i>	
9	31788	DECAL,DANGER,BATTERY SAFETY***.....	1	30	1000014	DECAL,NOTICE,OPER INST.S60....	1
10	38149	DECAL,LABEL,PATENTS.....	1				
		<i>(US Only)</i>					
11	52607	DECAL,LABEL,TEST***.....	1				
		<i>(Ford Only)</i>					
12	52865	DECAL,ANNUAL INSP***.....	1				
		<i>(ANSI Only)</i>					
13	52966	DECAL,COSMETIC,4 X 2.....	1				
		<i>Option, Drive</i>					
14	52967	DECAL,COSMETIC,4 X 4.....	1				
		<i>Option, Drive</i>					
15	72168	DECAL,LABEL,STARTER BATTERY.....	1				
		<i>Option, Dual battery</i>					
16	72169	DECAL,LABEL,CONTROLS BATTERY.....	1				
		<i>Option, Dual battery</i>					
17	72999	DECAL,LABEL,PETRO CANADA***.....	1				
		<i>Option, hydraulic oil</i>					
18	82161	DECAL,LABEL,UCON HYDROLUBE.....	1				
		<i>Option, hydraulic oil</i>					
19	82366	DECAL,CHEVRON RANDO HD.....	1				
		<i>Option, hydraulic oil</i>					
20	82455	DECAL,GROUND CONTROL PANEL***.....	1				
21	82549	DECAL,LABEL,WHEEL LOAD S60.....	2				



104.1 S-60 Decals with Word, Engine Side (ANSI & Australia) (from SN 17350)



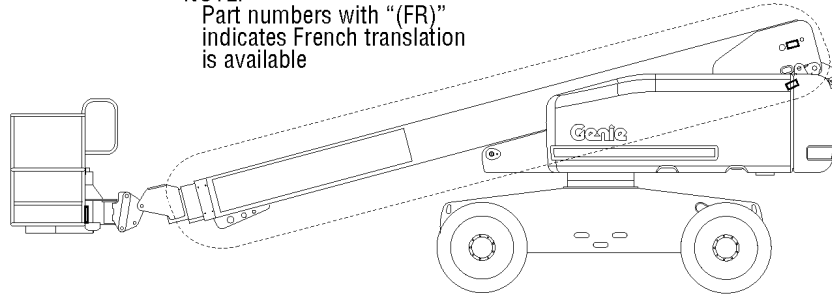
104.1 S-60 Decals with Word, Engine Side (ANSI & Australia) (from SN 17350)

Item	Part No.	Description	Qty.	Item	Part No.	Description	Qty.
1	27204	DECAL,ARROW BLUE.....	1	22	114099	DECAL,LABEL,TRANSPORT DIAGRAM.....	1
2	27206	DECAL,TRIANGLE,BLUE.....	1	23	114169	DECAL,FORD ENGINE SPEC DSG423.....	1
3	27207	DECAL,TRIANGLE,YELLOW.....	1			<i>Ford DSG -423 from SN S6006-14054</i>	
4	28161	DECAL,WARN,CRUSH HAZARD HAND.....	1	24	114277	DECAL,LABEL,BELT ROUTING DSG.....	1
5	28174	DECAL,POWER TO PLATFORM 230V.....	1			<i>Ford DSG-423</i>	
6	28175	DECAL,COMPARTMENT ACCESS.....	1	25	114390	DECAL,DANGER,ELECT HAZARD*** .....	1
7	28235	DECAL,POWER TO PLATFORM 115V.....	1	26	128953	DECAL,ENGINE SPEC,DEUTZ,TD2011.....	1
8	29104	DECAL,TOWING INSTRUCTIONS.....	1			<i>TD2011L03i - turbo deutz only from SN S6010-20379</i>	
		<i>Option, Tow Package</i>		27	133238	DECAL,ENGINE SPEC,PERKINS*** .....	1
9	44981	DECAL,LABEL,AIRLINE 110 PSI.....	1			<i>404D-22 from SN S6008-19607</i>	
		<i>Option, airline to platform</i>					
10	47041	DECAL,CAUTION,TOWING SPEED.....	1				
		<i>Option, Tow Package</i>					
11	62077	DECAL,COSMETIC,S60.....	1				
12	82237	DECAL,DANGER,HIGH VOLTAGE.....	2				
		<i>Option, Welder</i>					
13	82549	DECAL,LABEL,WHEEL LOAD S60.....	2				
14	82644	DECAL, ENGINE SPEC, PERKINS.....	1				
		<i>404C-22 from SN S6004-9694 to S6008-19606</i>					
15	82677	DECAL,DANGER/LABEL,TIRE SPECS.....	2				
16	82678	DECAL,DANGER,HI-FLOAT TIRE 60*.....	2				
		<i>ANSI Only Option, high floatation tires</i>					
17	82679	DECAL,NOTICE,GM 3.0 ENG SPEC.....	1				
18	97548	DECAL,ENGINE SPEC,DEUTZ 2011.....	1				
		<i>D2011L03i</i>					
19	97571	DECAL,NOTICE,FORD ENG SPECS T2.....	1				
		<i>LRG -425 to SN S6006-14053</i>					
20	97602	DECAL,EXPLOSION HAZARD.....	1				
		<i>Diesel engines</i>					
21	97875	DECAL,WARN.WELD LINE INST.WORD.....	1				
		<i>Option, Weld Cable Line</i>					



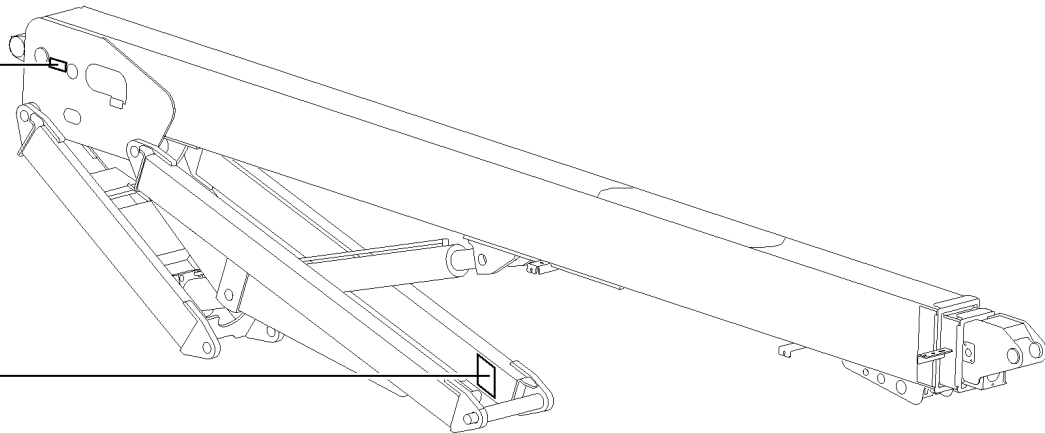
105.1 S-60 Decals with Word, Boom (ANSI & Australia) (from SN 17350)

NOTE:  
Part numbers with "(FR)"  
indicates French translation  
is available



31060 (FR)

28161 (FR)



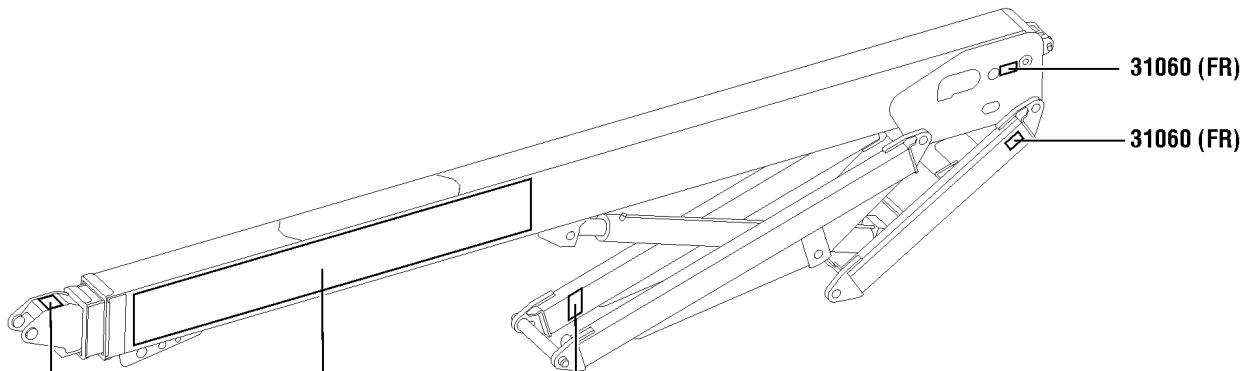
31060 (FR)

31060 (FR)

28181 (FR)

62076

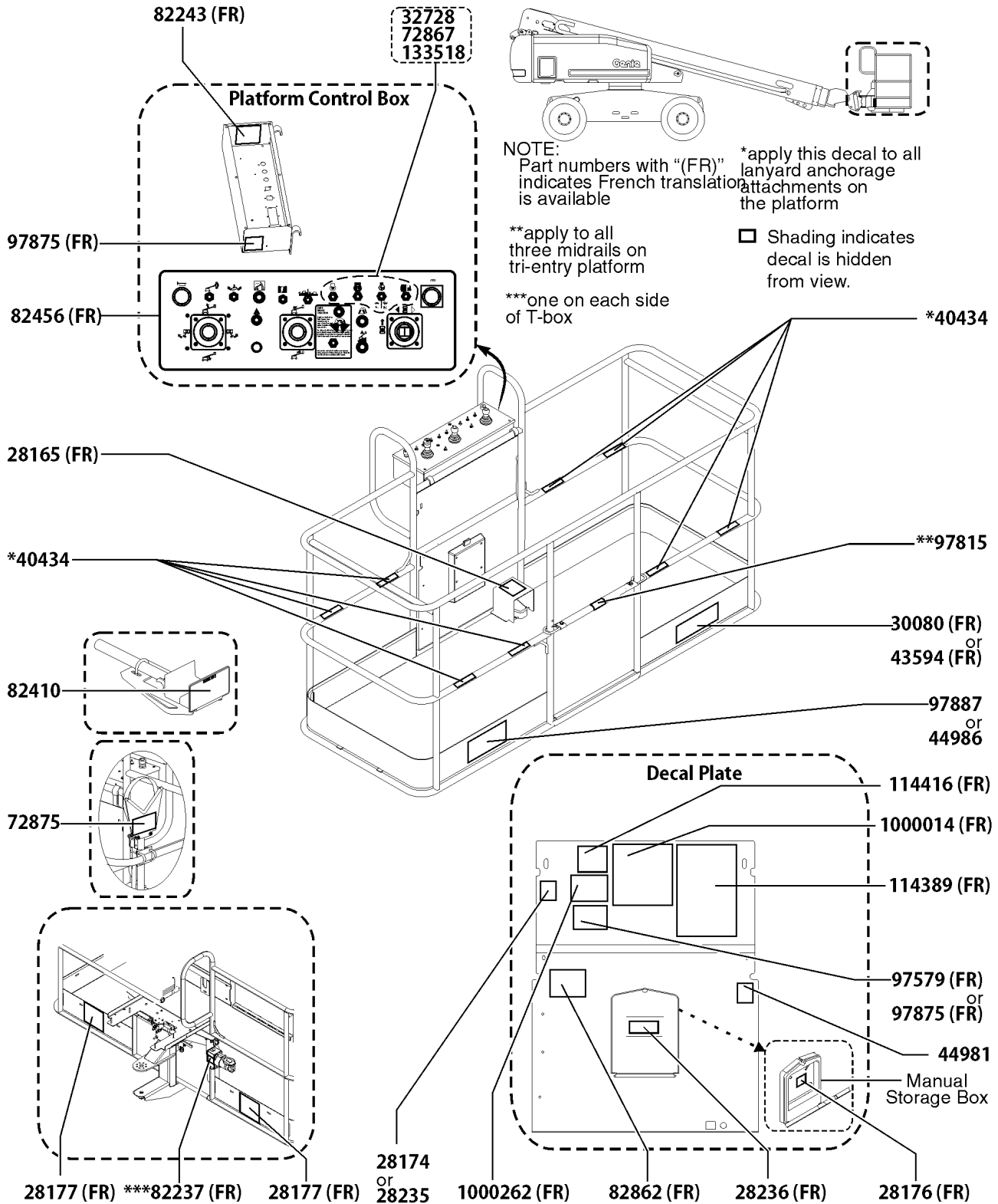
28161 (FR)



105.1 S-60 Decals with Word, Boom (ANSI & Australia) (from SN 17350)

Item	Part No.	Description	Qty.
1	28161	DECAL,WARN,CRUSH HAZARD HAND.....	2
2	28181	DECAL,WARN,FALL HAZARD.....	1
3	31060	DECAL,DANGER DO NOT ALTER SWTC.....	3
4	62076	DECAL,COSMETIC,GENIE S-60.....	1

106.1 S-60 Decals with Word, Platform (ANSI & Australia) (from SN 17350)



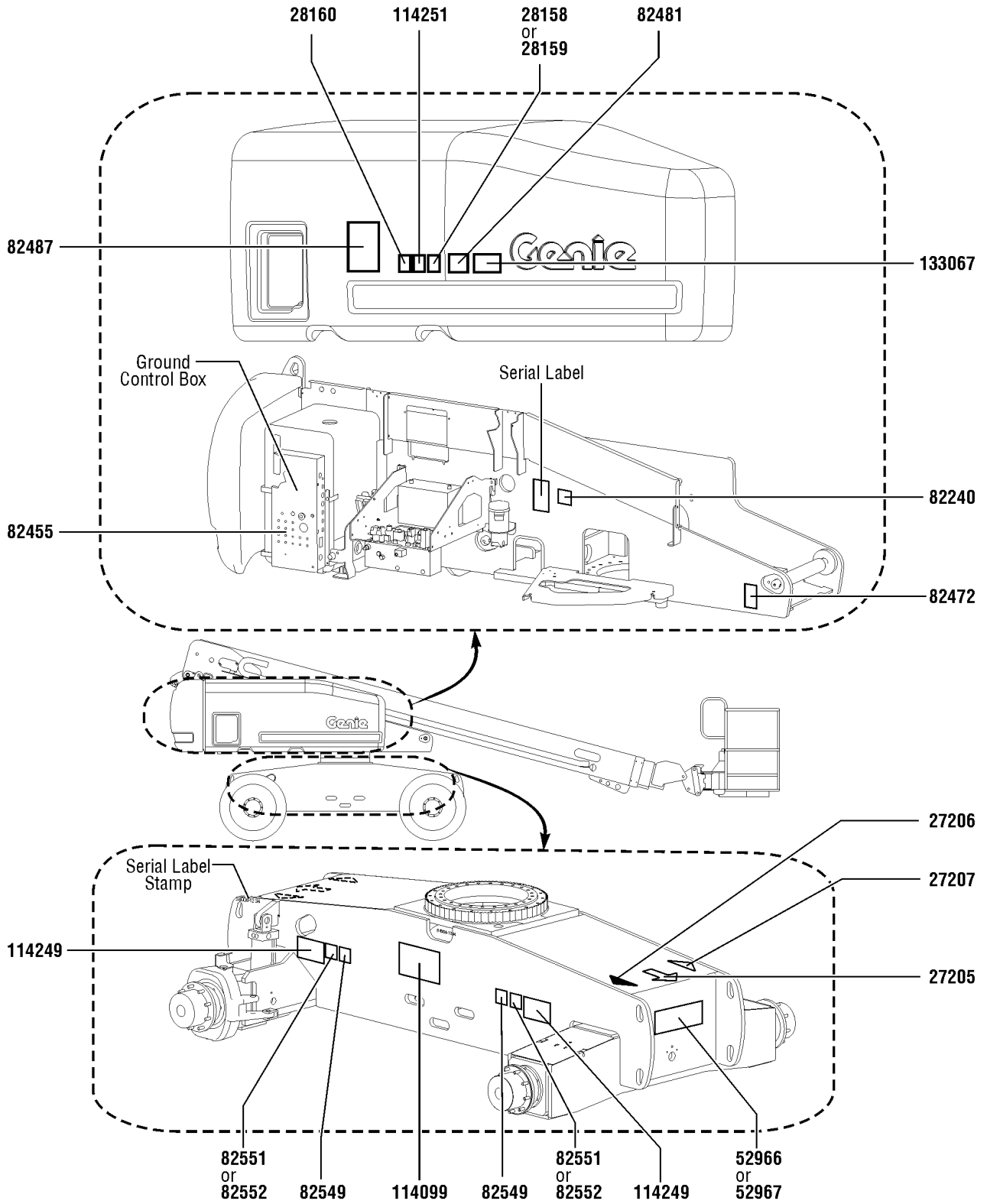


106.1 S-60 Decals with Word, Platform (ANSI & Australia) (from SN 17350)

Item	Part No.	Description	Qty.	Item	Part No.	Description	Qty.
1	28165	DECAL,INSTRUCT,FOOTSWITCH OPER.....	1	22	97875	DECAL,WARN.WELD LINE INST.WORD.....	2
2	28174	DECAL,POWER TO PLATFORM 230V.....	1			<i>Option, Weld cable line</i>	
3	28176	DECAL,LABEL,MANUAL NOT HERE.....	1	23	97887	DECAL,INSTR,MAX SIDE FRC,ANSI.....	1
4	28177	DECAL,WARN,CRUSH HAZARD PLAT.....	2			<i>ANSI</i>	
5	28235	DECAL,POWER TO PLATFORM 115V.....	1	24	114389	DECAL,DANGER,GENERAL SAFETY.....	1
6	28236	DECAL,WARN,IMPROPER OPERATION.....	1	25	114416	DECAL,DANGER,TIPOVER,TILT....	1
7	30080	DECAL,NOTICE,MAX LOAD 500 LBS.....	1	26	133518	DECAL, PATCH, GEN,ALC-500.....	1
		<i>500 lbs</i>				<i>Option, Generator / Welder</i>	
8	32728	DECAL,OPTION GENERATOR***... <i>Option, Generator</i>	1	27	1000014	DECAL,NOTICE,OPER INST.S60....	1
9	40434	DECAL,LANYARD ANCHORAGE POINT.....	8	28	1000262	DECAL,DANGER,TIP OVER,PLAT.....	1
10	43594	DECAL,NOTICE,MAX LOAD 750 LBS.....	1			<i>Use on S-60 HC and S-60s with 750 lb capacity option</i>	
		<i>Option, 750 lbs</i>					
11	44981	DECAL,LABEL,AIRLINE 110 PSI.... <i>Option, airline to platform</i>	1				
12	44986	DECAL,INSTR,SIDE FRC/WIND,AUS.....	1				
		<i>Australia</i>					
13	72867	DECAL,LABEL,LIGHTS*** ..... <i>Option, Work Lights or Driving Lights</i>	1				
14	72875	DECAL,WARNING,PIPE CRADLE,BOOM.....	2				
		<i>Option, Pipe Cradle</i>					
15	82237	DECAL,DANGER,HIGH VOLTAGE.....	2				
		<i>Option, Welder</i>					
16	82243	DECAL FAULT CODE.....	1				
17	82410	DECAL,WARNING,PANEL CRADLE.....	2				
		<i>Option, Panel Cradle</i>					
18	82456	DECAL,PLAT CONTROL PANEL,S60**.....	1				
19	82862	DECAL,FIRE EXTINGUISHER..... <i>Option, Welder</i>	1				
20	97579	DECAL,DANGER,TIP-OVER,WELDER**. <i>Option, Welder</i>	1				
21	97815	DECAL,LABEL,LOWER MIDRAIL....	1				



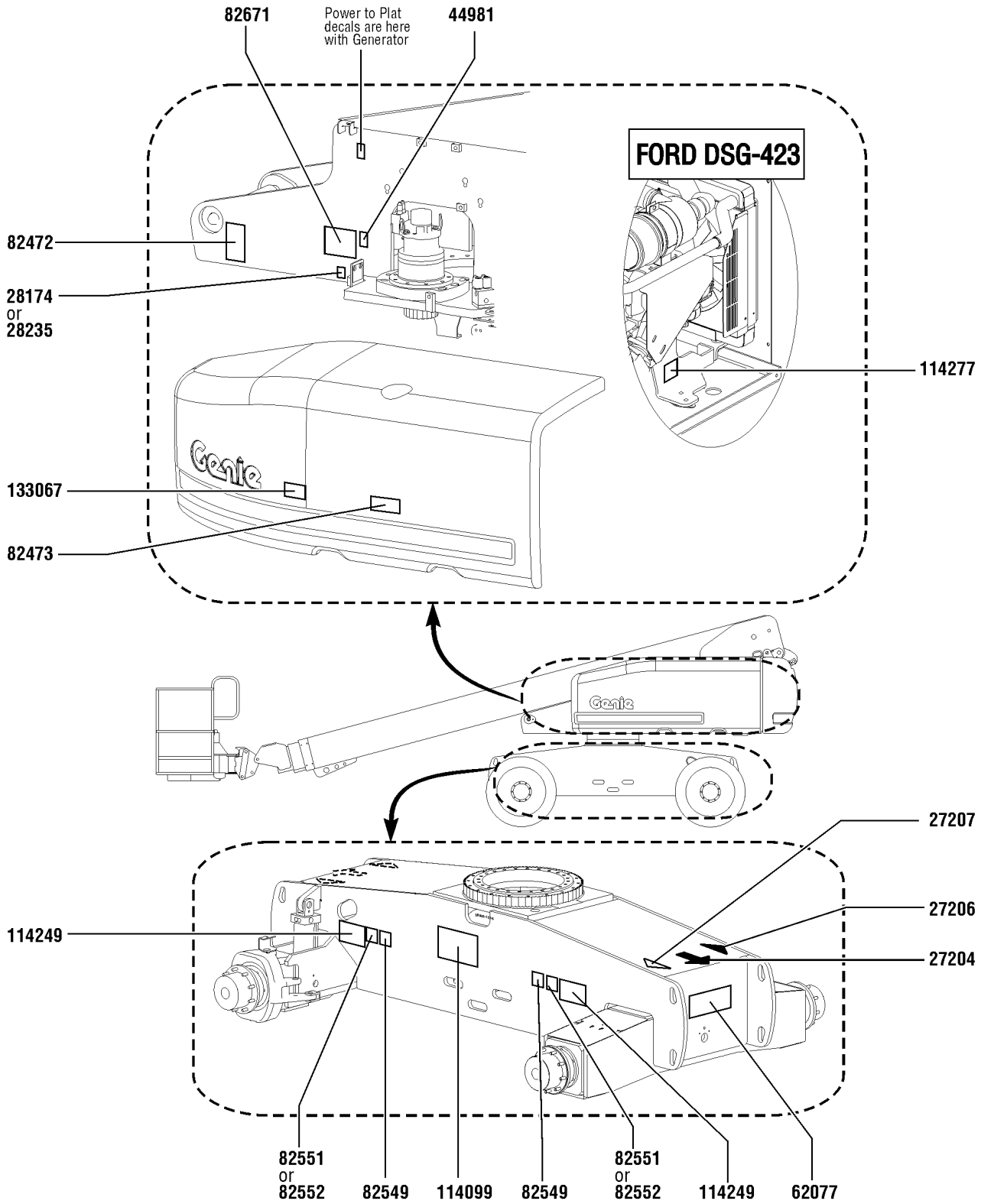
107.1 S-60 Decals with Symbol, Hydraulic Tank Side (CE) (from SN 17350)



## 107.1 S-60 Decals with Symbol, Hydraulic Tank Side (CE) (from SN 17350)

Item	Part No.	Description	Qty.
1	27205	DECAL,ARROW YELLOW LRG 9".....	1
2	27206	DECAL,TRIANGLE,BLUE.....	1
3	27207	DECAL,TRIANGLE,YELLOW.....	1
4	28158	DECAL,LABEL,UNLEADED GAS ONLY..... <i>Option, fuel</i>	1
5	28159	DECAL,DIESEL..... <i>Option, fuel</i>	1
6	28160	DECAL,LABEL,LIQUID PROPANE..... <i>Option, LPG Tank</i>	1
7	52966	DECAL,COSMETIC,4 X 2..... <i>Option, drive</i>	1
8	52967	DECAL,COSMETIC,4 X 4..... <i>Option, drive</i>	1
9	82240	DECAL,LABEL,105 DB.....	1
10	82455	DECAL,GROUND CONTROL PANEL ***.....	1
11	82472	DECAL,WARNING,CRUSHING HAZARD.....	1
12	82481	DECAL,SYMBOL-BATTERY SAFETY.....	1
13	82487	DECAL,SYMBOL-READ THE MANUAL.....	1
14	82549	DECAL,LABEL,WHEEL LOAD S60.....	2
15	82551	DECAL,LABEL,TIRE PRESSURE S60..... <i>RT air filled tires only</i>	2
16	82552	DECAL,LABEL,TIRE PRESS HF S60..... <i>High floatation air filled tires only</i>	2
17	114099	DECAL,LABEL,TRANSPORT DIAGRAM.....	1
18	114249	DECAL,LABEL,TIPOVER,TIRES,SYMB.	2
19	114251	DECAL,LABEL,NO SMOKING,SYMB.....	1
20	133067	DECAL,DANGER,ELEC.HAZ.STAY CLR.....	1

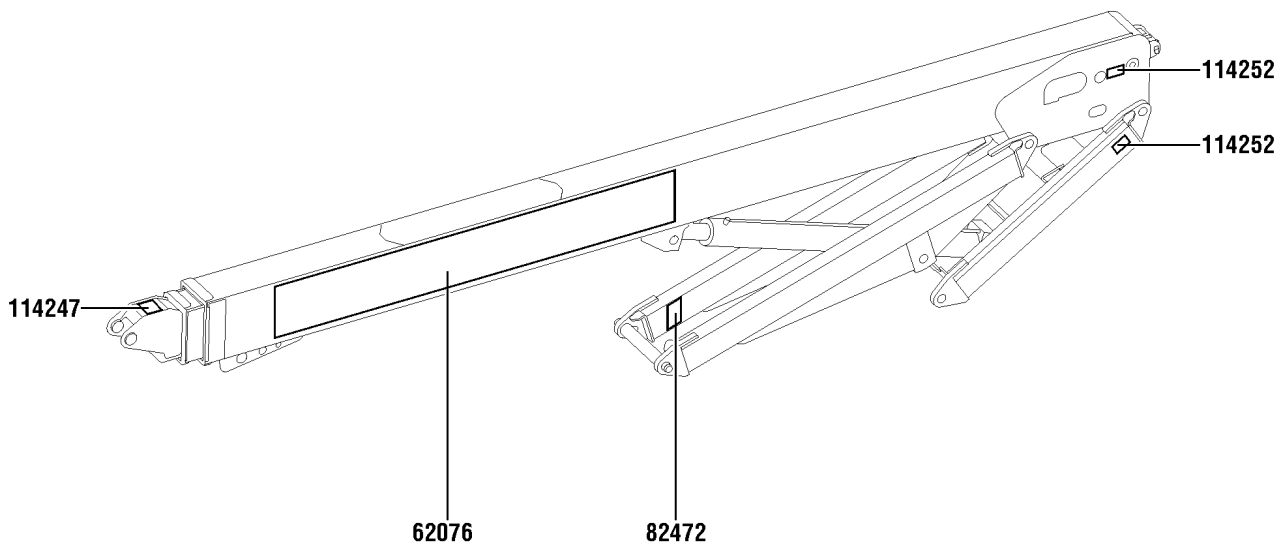
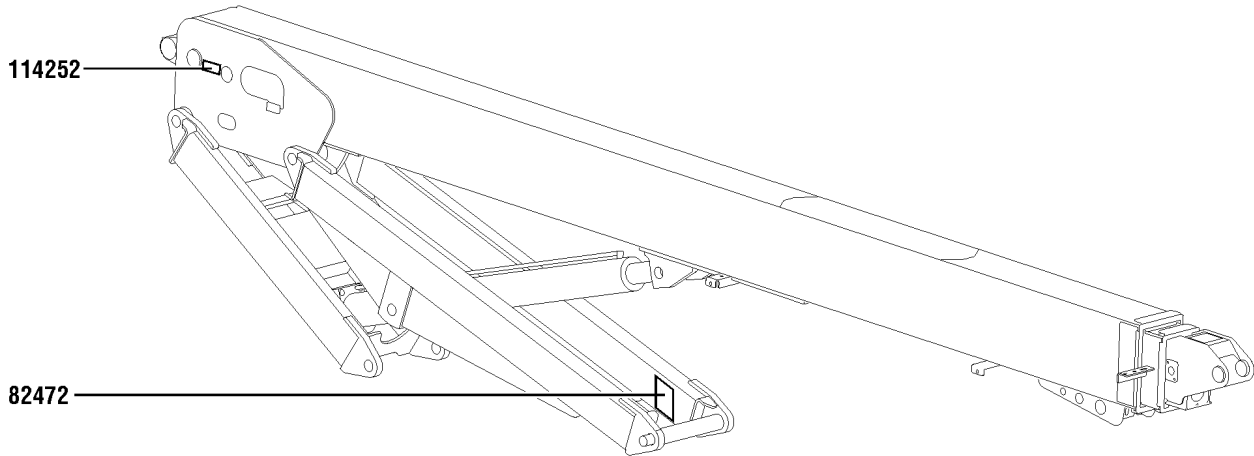
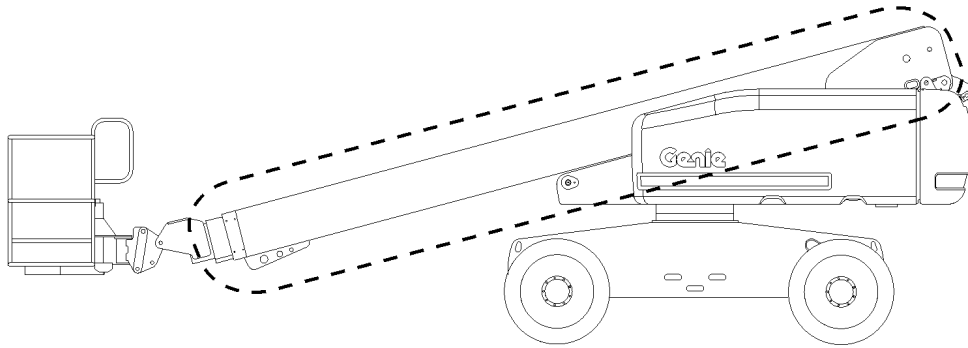
108.1 S-60 Decals with Symbol, Engine Side (CE) (from SN 17350)



## 108.1 S-60 Decals with Symbol, Engine Side (CE) (from SN 17350)

Item	Part No.	Description	Qty.
1	27204	DECAL,ARROW BLUE.....	1
2	27206	DECAL,TRIANGLE,BLUE.....	1
3	27207	DECAL,TRIANGLE,YELLOW.....	1
4	28174	DECAL,POWER TO PLATFORM 230V.....	1
5	28235	DECAL,POWER TO PLATFORM 115V.....	1
6	44981	DECAL,LABEL,AIRLINE 110 PSI..... <i>Option, airline to plat</i>	1
7	62077	DECAL,COSMETIC,S60.....	1
8	82472	DECAL,WARNING,CRUSHING HAZARD.....	1
9	82473	DECAL,SYMBOL-COMP ACCESS.....	1
10	82549	DECAL,LABEL,WHEEL LOAD S60.....	2
11	82551	DECAL,LABEL,TIRE PRESSURE S60..... <i>RT air filled tires only</i>	2
12	82552	DECAL,LABEL,TIRE PRESS HF S60..... <i>High floatation air filled tires only</i>	2
13	82671	DECAL,LABEL,WELD LINE INST,SYM..... <i>Option, weld cable line</i>	1
14	114099	DECAL,LABEL,TRANSPORT DIAGRAM.....	1
15	114249	DECAL,LABEL,TIPOVER,TIRES,SYMB.2 <i>Option, tire</i>	2
16	114277	DECAL,LABEL,BELT ROUTING DSG..... <i>Ford DSG-423</i>	1
17	133067	DECAL,DANGER,ELEC.HAZ.STAY CLR.....	1

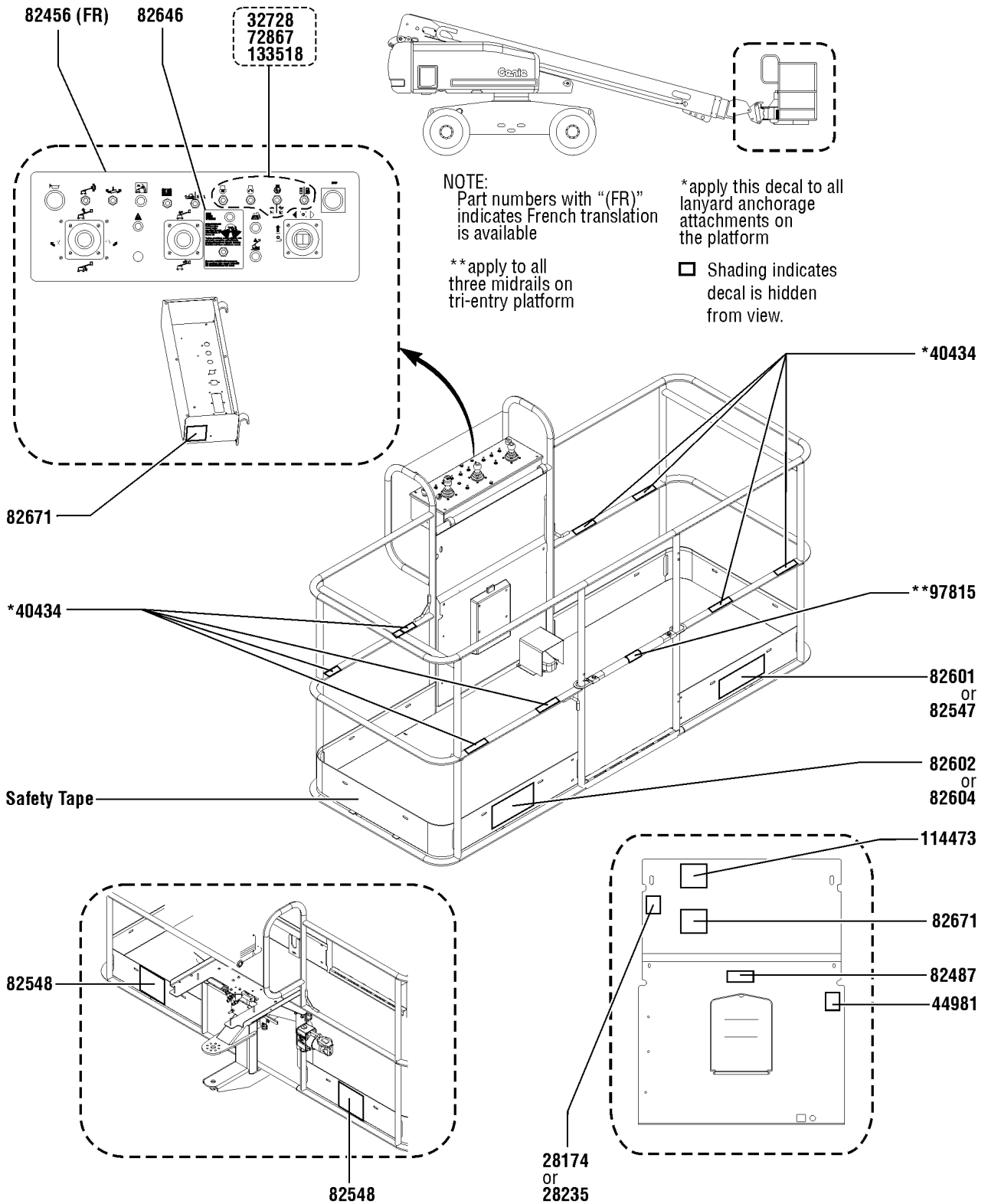
109.1 S-60 Decals with Symbol, Boom (CE) (from SN 17350)



109.1 S-60 Decals with Symbol, Boom (CE) (from SN 17350)

Item	Part No.	Description	Qty.
1	62076	DECAL,COSMETIC,GENIE S-60.....1	
2	82472	DECAL,WARNING,CRUSHING HAZARD.....2	
3	114247	DECAL,LABEL,FALL HAZARD*** ....1	
4	114252	DECAL,LABEL,TIP OVER LMT SWTCH.....3	

110.1 S-60 Decals with Symbol, Platform (CE) (from SN 17350)

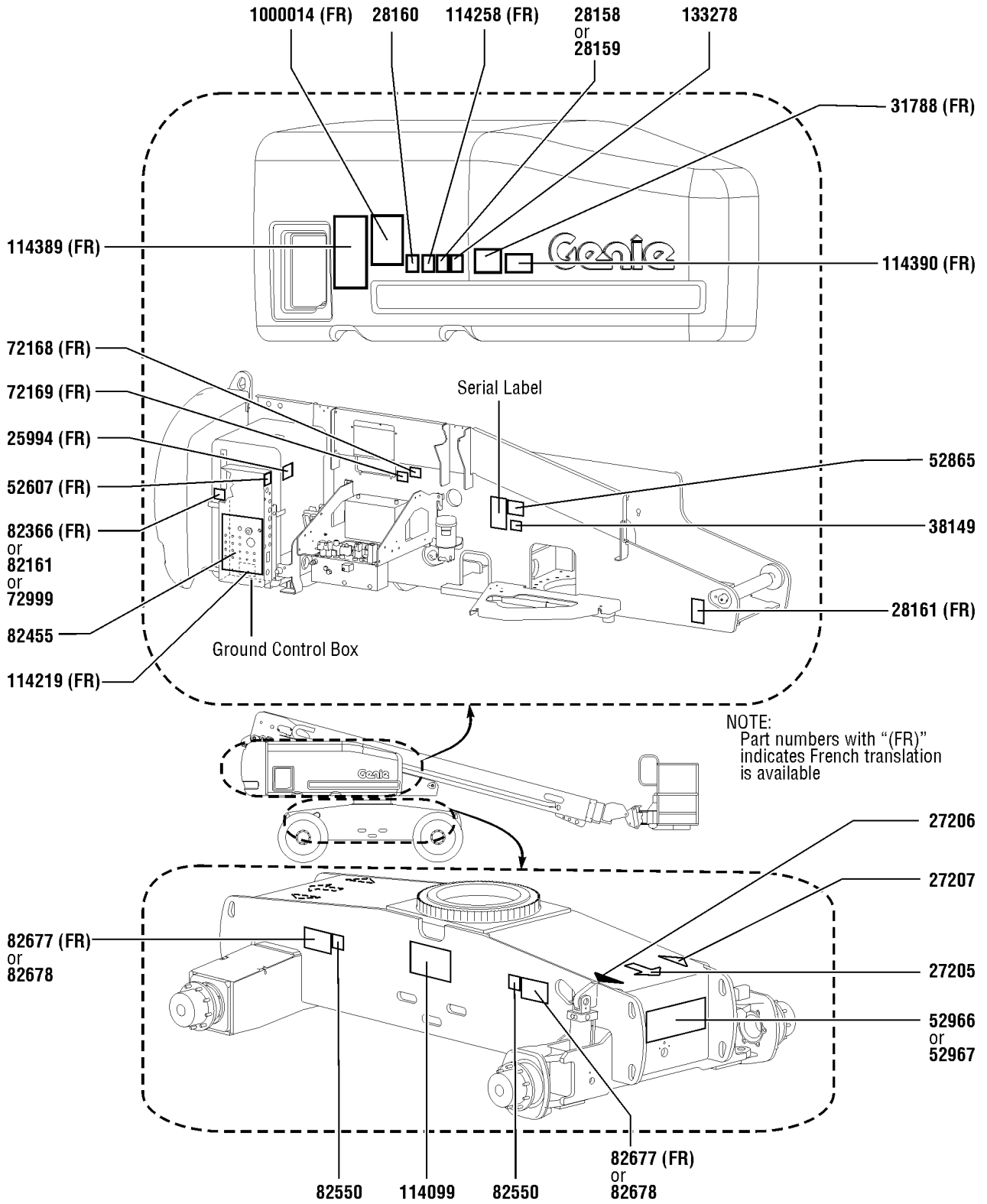




## 110.1 S-60 Decals with Symbol, Platform (CE) (from SN 17350)

Item	Part No.	Description	Qty.
1	28174	DECAL,POWER TO PLATFORM 230V.....	1
2	28235	DECAL,POWER TO PLATFORM 115V.....	1
3	32728	DECAL,OPTION GENERATOR*** <i>Option, generator</i>	1
4	40434	DECAL,LANYARD ANCHORAGE POINT.....	8
5	44981	DECAL,LABEL,AIRLINE 110 PSI..... <i>Option, airline to plat</i>	1
6	72867	DECAL,LABEL,LIGHTS*** ..... <i>Option, work lights or driving lights</i>	1
7	82456	DECAL,PLAT CONTROL PANEL,S60** .....	1
8	82487	DECAL,SYMBOL-READ THE MANUAL.....	1
9	82547	DECAL,DANGER,MAX LOAD 340 KG..... <i>Option, maximum platform capacity - 750 lbs</i>	1
10	82548	DECAL,WARN,CRUSH HAZARD PLAT.....	2
11	82601	DECAL,LABEL,MAX CAPACITY*** ..... <i>Maximum platform capacity - 500 lbs</i>	1
12	82602	DECAL,DANGER,MAX SIDE FRC,667N.....	1
13	82604	DECAL,DANGER,SIDE FRC 400N..... <i>CE</i>	1
14	82646	DECAL,DRIVE ENABLE PATCH.....	1
15	82671	DECAL,LABEL,WELD LINE INST,SYM..... <i>Option, weld cable line</i>	2
16	97815	DECAL,LABEL,LOWER MIDRAIL....	1
17	114473	DECAL,DANGER,TIPOVER,TILT,SYM.	1
18	133518	DECAL, PATCH, GEN,ALC-500..... <i>Opion, generator/welder</i>	1

111.1S-65 Decals with Word, Hydraulic Tank Side (ANSI & Australia) (from SN 17350)

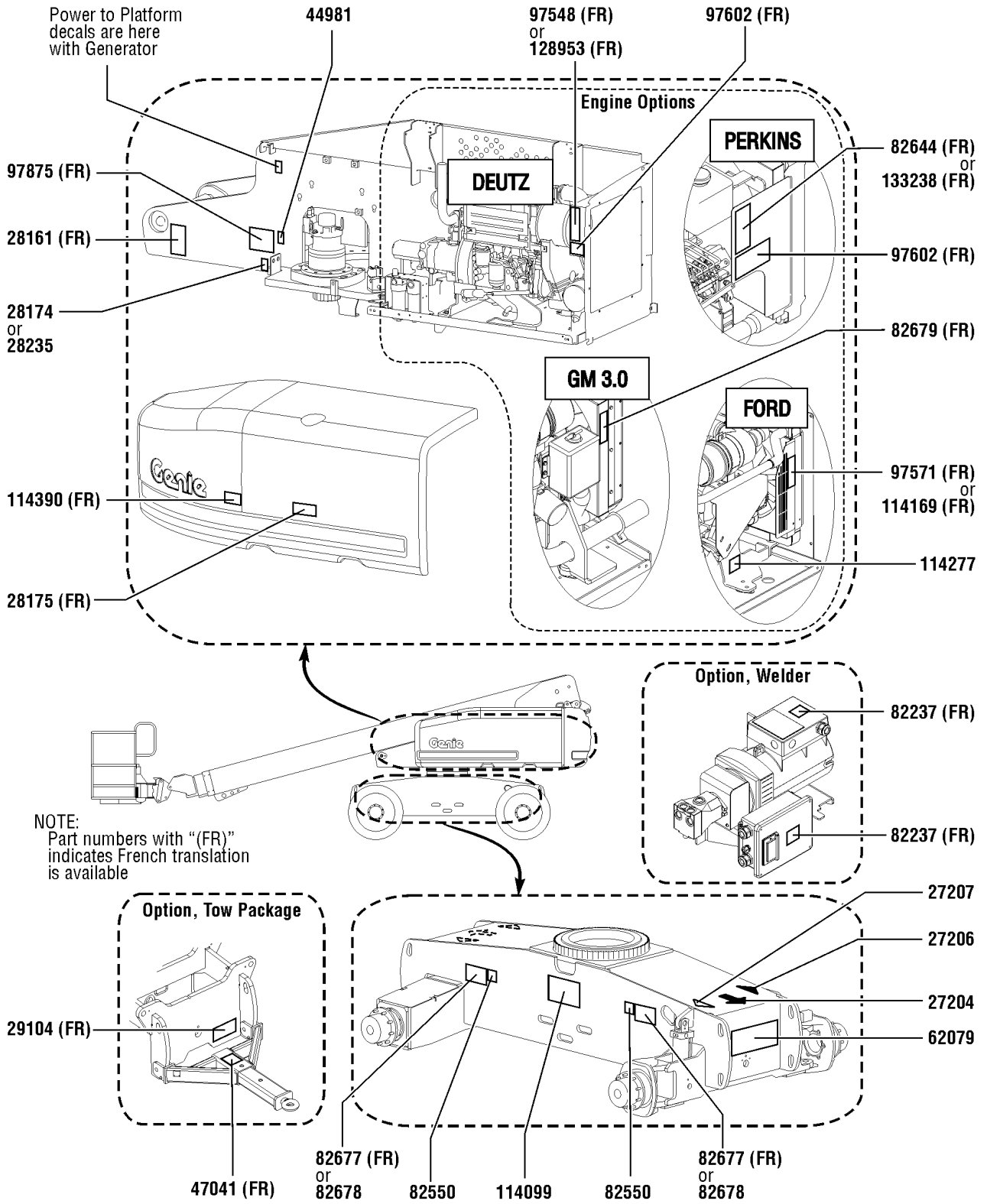


111.1S-65 Decals with Word, Hydraulic Tank Side (ANSI & Australia) (from SN 17350)

Item	Part No.	Description	Qty.	Item	Part No.	Description	Qty.
1	25994	DECAL,NOTICE,SHUTOFF VALVES.....	1	22	82677	DECAL,DANGER/LABEL,TIRE SPECS.....	2
2	27205	DECAL,ARROW YELLOW LRG 9".....	1	23	82678	DECAL,DANGER,HI-FLOAT TIRE 60*.....	2
3	27206	DECAL,TRIANGLE,BLUE.....	1			<i>ANSI Only Option, High Floatation tires</i>	
4	27207	DECAL,TRIANGLE,YELLOW.....	1	24	114099	DECAL,LABEL,TRANSPORT DIAGRAM.....	1
5	28158	DECAL,LABEL,UNLEADED GAS ONLY.....	1	25	114219	DECAL,LABEL,RELAYS,S60&65.....	1
		<i>Option, Fuel</i>		26	114258	DECAL,DANGER,NO SMOKING.....	1
6	28159	DECAL,DIESEL.....	1	27	114389	DECAL,DANGER,GENERAL SAFETY.....	1
		<i>Option, Fuel</i>		28	114390	DECAL,DANGER,ELECT HAZARD***.....	1
7	28160	DECAL,LABEL,LIQUID PROPANE.....	1			<i>HAZARD***</i>	
		<i>Option, LPG tank</i>		29	133278	DECAL,LOW/ULTRA LOW SULFR FUEL.....	1
8	28161	DECAL,WARN,CRUSH HAZARD HAND.....	1			<i>Diesel models only</i>	
9	31788	DECAL,DANGER,BATTERY SAFETY***.....	1	30	1000014	DECAL,NOTICE,OPER INST.S60....	1
10	38149	DECAL,LABEL,PATENTS.....	1				
		<i>(US Only)</i>					
11	52607	DECAL,LABEL,TEST***.....	1				
		<i>(Ford Only)</i>					
12	52865	DECAL,ANNUAL INSP***.....	1				
		<i>(ANSI Only)</i>					
13	52966	DECAL,COSMETIC,4 X 2.....	1				
		<i>Option, Drive</i>					
14	52967	DECAL,COSMETIC,4 X 4.....	1				
		<i>Option, Drive</i>					
15	72168	DECAL,LABEL,STARTER BATTERY.....	1				
		<i>Option, Dual battery</i>					
16	72169	DECAL,LABEL,CONTROLS BATTERY.....	1				
		<i>Option, Dual battery</i>					
17	72999	DECAL,LABEL,PETRO CANADA***.....	1				
		<i>Option, hydraulic oil</i>					
18	82161	DECAL,LABEL,UCON HYDROLUBE.....	1				
		<i>Option, hydraulic oil</i>					
19	82366	DECAL,CHEVRON RANDO HD.....	1				
		<i>Option, hydraulic oil</i>					
20	82455	DECAL,GROUND CONTROL PANEL***.....	1				
21	82550	DECAL,LABEL,WHEEL LOAD S65.....	2				



112.1 S-65 Decals with Word, Engine Side (ANSI & Australia) (from SN 17350)



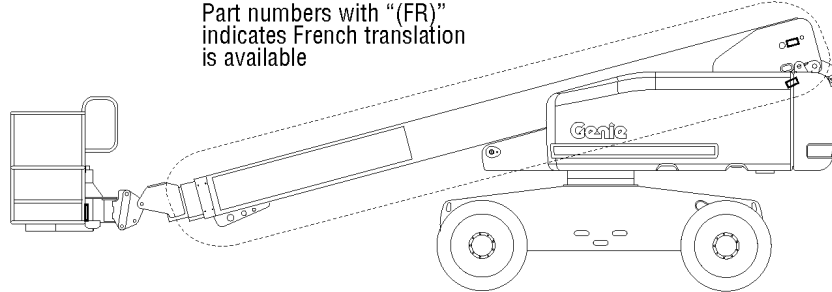
112.1 S-65 Decals with Word, Engine Side (ANSI & Australia) (from SN 17350)

Item	Part No.	Description	Qty.	Item	Part No.	Description	Qty.
1	27204	DECAL,ARROW BLUE.....	1	22	114099	DECAL,LABEL,TRANSPORT DIAGRAM.....	1
2	27206	DECAL,TRIANGLE,BLUE.....	1	23	114169	DECAL,FORD ENGINE SPEC DSG423.....	1
3	27207	DECAL,TRIANGLE,YELLOW.....	1			<i>Ford DSG -423 from SN S6006-14054</i>	
4	28161	DECAL,WARN,CRUSH HAZARD HAND.....	1	24	114277	DECAL,LABEL,BELT ROUTING DSG.....	1
5	28174	DECAL,POWER TO PLATFORM 230V.....	1			<i>Ford DSG-423</i>	
6	28175	DECAL,COMPARTMENT ACCESS.....	1	25	114390	DECAL,DANGER,ELECT HAZARD*** .....	1
7	28235	DECAL,POWER TO PLATFORM 115V.....	1	26	128953	DECAL,ENGINE SPEC,DEUTZ,TD2011.....	1
8	29104	DECAL,TOWING INSTRUCTIONS.....	1			<i>TD2011L03i - turbo deutz only from SN S6010-20379</i>	
		<i>Option, Tow Package</i>		27	133238	DECAL,ENGINE SPEC,PERKINS*** .....	1
9	44981	DECAL,LABEL,AIRLINE 110 PSI.....	1			<i>404D-22 from SN S6008-19607</i>	
		<i>Option, airline to platform</i>					
10	47041	DECAL,CAUTION,TOWING SPEED.....	1				
		<i>Option, Tow Package</i>					
11	62079	DECAL,COSMETIC,S65.....	1				
12	82237	DECAL,DANGER,HIGH VOLTAGE.....	2				
		<i>Option, Welder</i>					
13	82550	DECAL,LABEL,WHEEL LOAD S65.....	2				
14	82644	DECAL, ENGINE SPEC, PERKINS.....	1				
		<i>404C-22 from SN S6004-9694 to S6008-19606</i>					
15	82677	DECAL,DANGER/LABEL,TIRE SPECS.....	2				
16	82678	DECAL,DANGER,HI-FLOAT TIRE 60*.....	2				
		<i>ANSI Only Option, high floatation tires</i>					
17	82679	DECAL,NOTICE,GM 3.0 ENG SPEC.....	1				
18	97548	DECAL,ENGINE SPEC,DEUTZ 2011.....	1				
		<i>D2011L03i</i>					
19	97571	DECAL,NOTICE,FORD ENG SPECS T2.....	1				
		<i>LRG -425 to SN S6006-14053</i>					
20	97602	DECAL,EXPLOSION HAZARD.....	1				
		<i>Diesel engines</i>					
21	97875	DECAL,WARN.WELD LINE INST.WORD.....	1				
		<i>Option, Weld Cable Line</i>					



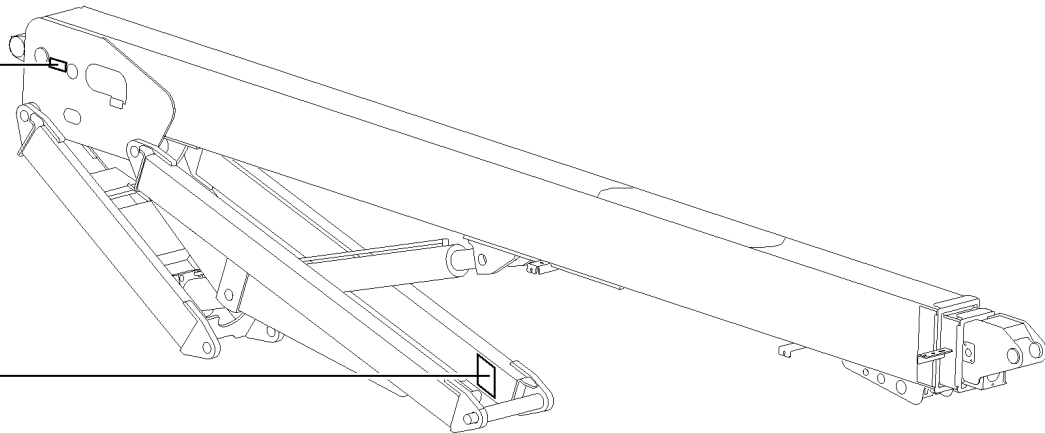
113.1 S-65 Decals with Word, Boom (ANSI & Australia) (from SN 17350)

NOTE:  
Part numbers with "(FR)"  
indicates French translation  
is available



31060 (FR)

28161 (FR)



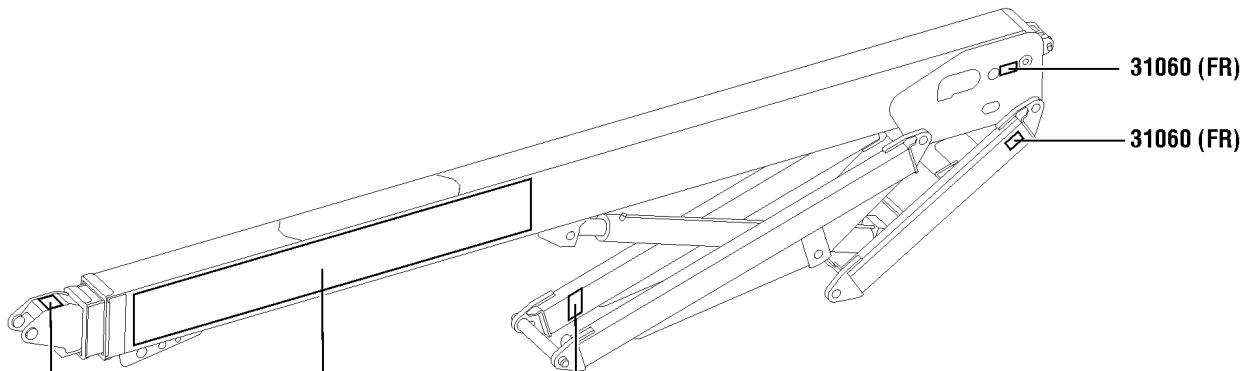
31060 (FR)

31060 (FR)

28181 (FR)

62078

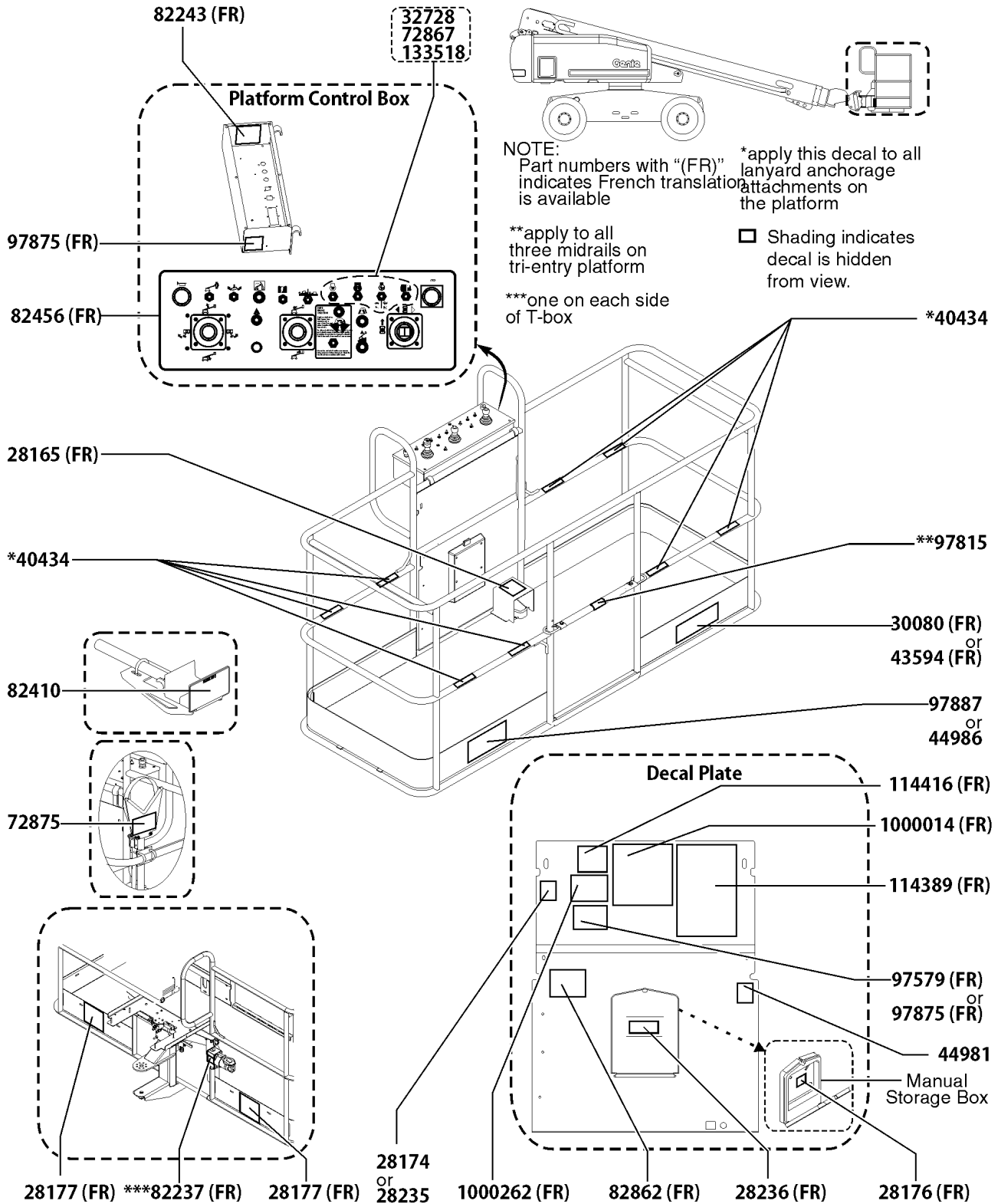
28161 (FR)



113.1 S-65 Decals with Word, Boom (ANSI & Australia) (from SN 17350)

Item	Part No.	Description	Qty.
1	28161	DECAL,WARN,CRUSH HAZARD HAND.....	2
2	28181	DECAL,WARN,FALL HAZARD.....	1
3	31060	DECAL,DANGER DO NOT ALTER SWTC.....	3
4	62078	DECAL,COSMETIC,GENIE S65.....	1

114.1 S-65 Decals with Word, Platform (ANSI & Australia) (from SN 17350)



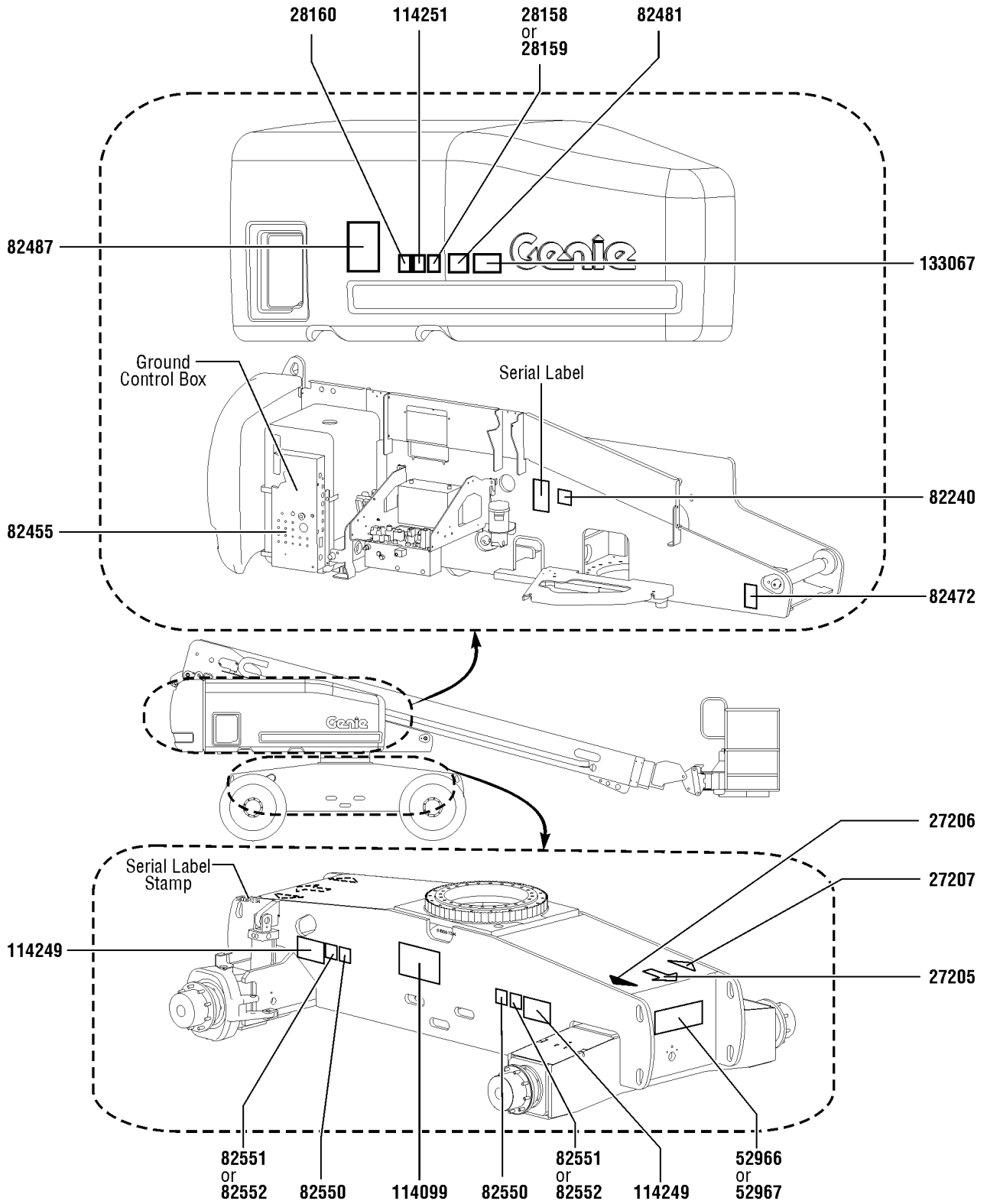


114.1 S-65 Decals with Word, Platform (ANSI & Australia) (from SN 17350)

Item	Part No.	Description	Qty.	Item	Part No.	Description	Qty.
1	28165	DECAL,INSTRUCT,FOOTSWITCH OPER.....	1	22	97875	DECAL,WARN.WELD LINE INST.WORD.....	2
2	28174	DECAL,POWER TO PLATFORM 230V.....	1			<i>Option, Weld cable line</i>	
3	28176	DECAL,LABEL,MANUAL NOT HERE.....	1	23	97887	DECAL,INSTR,MAX SIDE FRC,ANSI.....	1
4	28177	DECAL,WARN,CRUSH HAZARD PLAT.....	2			<i>ANSI</i>	
5	28235	DECAL,POWER TO PLATFORM 115V.....	1	24	114389	DECAL,DANGER,GENERAL SAFETY.....	1
6	28236	DECAL,WARN,IMPROPER OPERATION.....	1	25	114416	DECAL,DANGER,TIPOVER,TILT....	1
7	30080	DECAL,NOTICE,MAX LOAD 500 LBS.....	1	26	133518	DECAL, PATCH, GEN,ALC-500.....	1
		<i>500 lbs</i>				<i>Option, Generator / Welder</i>	
8	32728	DECAL,OPTION GENERATOR***...1	1	27	1000014	DECAL,NOTICE,OPER INST.S60....	1
		<i>Option, Generator</i>		28	1000262	DECAL,DANGER,TIP OVER,PLAT.....	1
9	40434	DECAL,LANYARD ANCHORAGE POINT.....	8			<i>Use on S-60 HC and S-60s with 750 lb capacity option</i>	
10	43594	DECAL,NOTICE,MAX LOAD 750 LBS.....	1				
		<i>Option, 750 lbs</i>					
11	44981	DECAL,LABEL,AIRLINE 110 PSI....1	1				
		<i>Option, airline to platform</i>					
12	44986	DECAL,INSTR,SIDE FRC/WIND,AUS.....	1				
		<i>Australia</i>					
13	72867	DECAL,LABEL,LIGHTS*** .....1	1				
		<i>Option, Work Lights or Driving Lights</i>					
14	72875	DECAL,WARNING,PIPE CRADLE,BOOM.....	2				
		<i>Option, Pipe Cradle</i>					
15	82237	DECAL,DANGER,HIGH VOLTAGE.....	2				
		<i>Option, Welder</i>					
16	82243	DECAL FAULT CODE.....	1				
17	82410	DECAL,WARNING,PANEL CRADLE.....	2				
		<i>Option, Panel Cradle</i>					
18	82456	DECAL,PLAT CONTROL PANEL,S60**.....	1				
19	82862	DECAL,FIRE EXTINGUISHER.....1	1				
		<i>Option, Welder</i>					
20	97579	DECAL,DANGER,TIP-OVER,WELDER**1	1				
		<i>Option, Welder</i>					
21	97815	DECAL,LABEL,LOWER MIDRAIL....1	1				



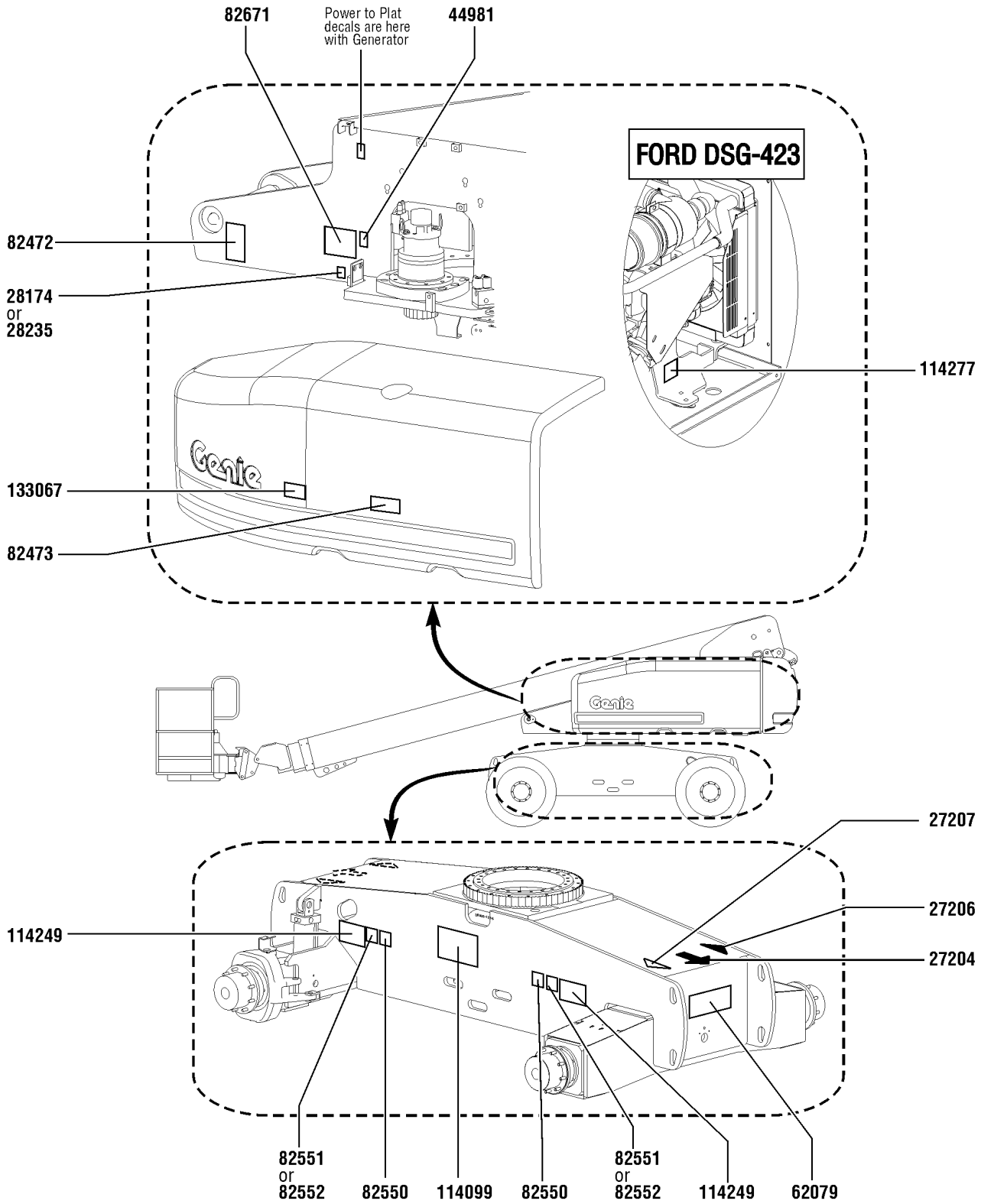
115.1 S-65 Decals with Symbol, Hydraulic Tank Side (ANSI & CE) (from SN 17350)



115.1 S-65 Decals with Symbol, Hydraulic Tank Side (ANSI & CE) (from SN 17350)

Item	Part No.	Description	Qty.
1	27205	DECAL,ARROW YELLOW LRG 9".....	1
2	27206	DECAL,TRIANGLE,BLUE.....	1
3	27207	DECAL,TRIANGLE,YELLOW.....	1
4	28158	DECAL,LABEL,UNLEADED GAS ONLY..... <i>Option, fuel</i>	1
5	28159	DECAL,DIESEL..... <i>Option, fuel</i>	1
6	28160	DECAL,LABEL,LIQUID PROPANE..... <i>Option, LPG Tank</i>	1
7	52966	DECAL,COSMETIC,4 X 2..... <i>Option, drive</i>	1
8	52967	DECAL,COSMETIC,4 X 4..... <i>Option, drive</i>	1
9	82240	DECAL,LABEL,105 DB.....	1
10	82455	DECAL,GROUND CONTROL PANEL ***.....	1
11	82472	DECAL,WARNING,CRUSHING HAZARD.....	1
12	82481	DECAL,SYMBOL-BATTERY SAFETY.....	1
13	82487	DECAL,SYMBOL-READ THE MANUAL.....	1
14	82550	DECAL,LABEL,WHEEL LOAD S65.....	2
15	82551	DECAL,LABEL,TIRE PRESSURE S60..... <i>RT air filled tires only</i>	2
16	82552	DECAL,LABEL,TIRE PRESS HF S60..... <i>High floatation air filled tires only</i>	2
17	114099	DECAL,LABEL,TRANSPORT DIAGRAM.....	1
18	114249	DECAL,LABEL,TIPOVER,TIRES,SYMB.	2
19	114251	DECAL,LABEL,NO SMOKING,SYMB.....	1
20	133067	DECAL,DANGER,ELEC.HAZ.STAY CLR.....	1

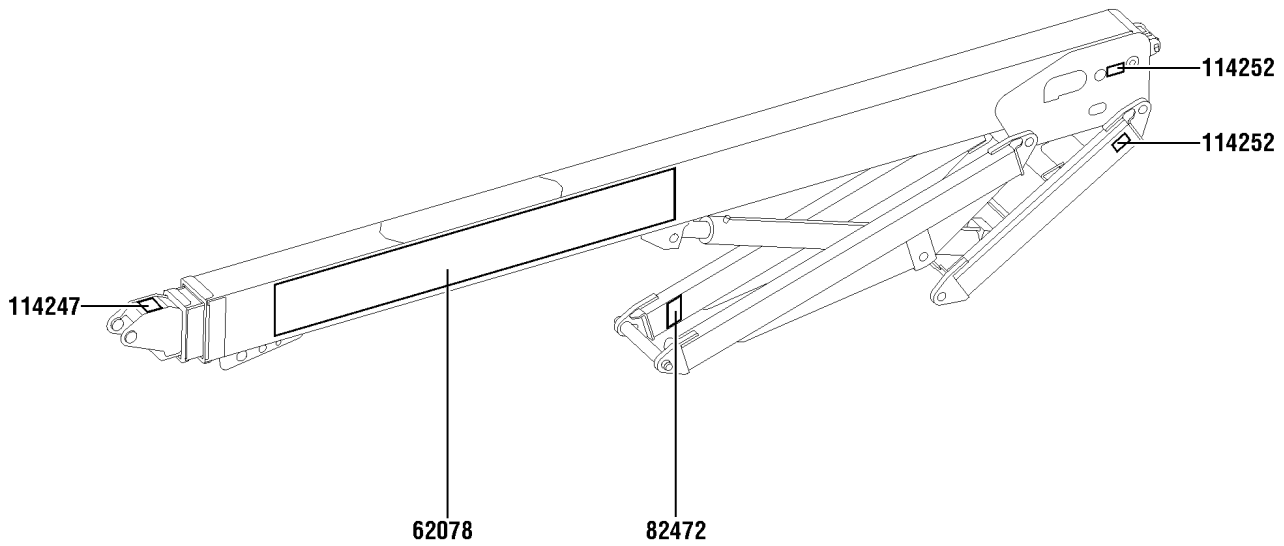
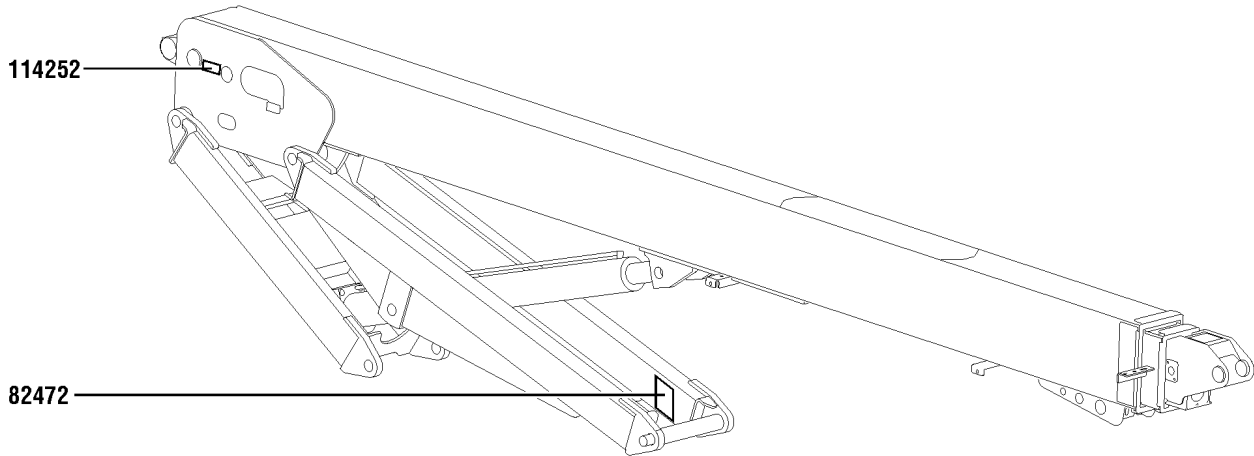
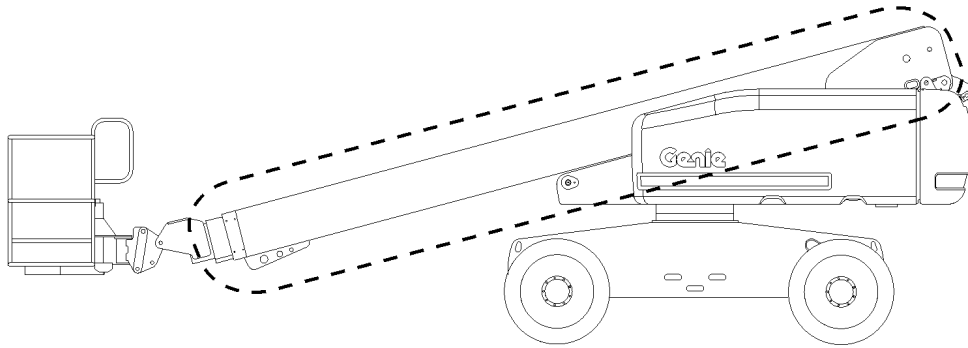
116.1 S-65 Decals with Symbol, Engine Side (ANSI & CE) (from SN 17350)



## 116.1 S-65 Decals with Symbol, Engine Side (ANSI &amp; CE) (from SN 17350)

Item	Part No.	Description	Qty.
1	27204	DECAL,ARROW BLUE.....	1
2	27206	DECAL,TRIANGLE,BLUE.....	1
3	27207	DECAL,TRIANGLE,YELLOW.....	1
4	28174	DECAL,POWER TO PLATFORM 230V.....	1
5	28235	DECAL,POWER TO PLATFORM 115V.....	1
6	44981	DECAL,LABEL,AIRLINE 110 PSI..... <i>Option, airline to plat</i>	1
7	62079	DECAL,COSMETIC,S65.....	1
8	82472	DECAL,WARNING,CRUSHING HAZARD.....	1
9	82473	DECAL,SYMBOL-COMP ACCESS.....	1
10	82550	DECAL,LABEL,WHEEL LOAD S65.....	2
11	82551	DECAL,LABEL,TIRE PRESSURE S60..... <i>RT air filled tires only</i>	2
12	82552	DECAL,LABEL,TIRE PRESS HF S60..... <i>High floatation air filled tires only</i>	2
13	82671	DECAL,LABEL,WELD LINE INST,SYM..... <i>Option, weld cable line</i>	1
14	114099	DECAL,LABEL,TRANSPORT DIAGRAM.....	1
15	114249	DECAL,LABEL,TIPOVER,TIRES,SYMB.2	
16	114277	DECAL,LABEL,BELT ROUTING DSG..... <i>Ford DSG-423</i>	1
17	133067	DECAL,DANGER,ELEC.HAZ.STAY CLR.....	1

117.1 S-65 Decals with Symbol, Boom (ANSI & CE) (from SN 17350)

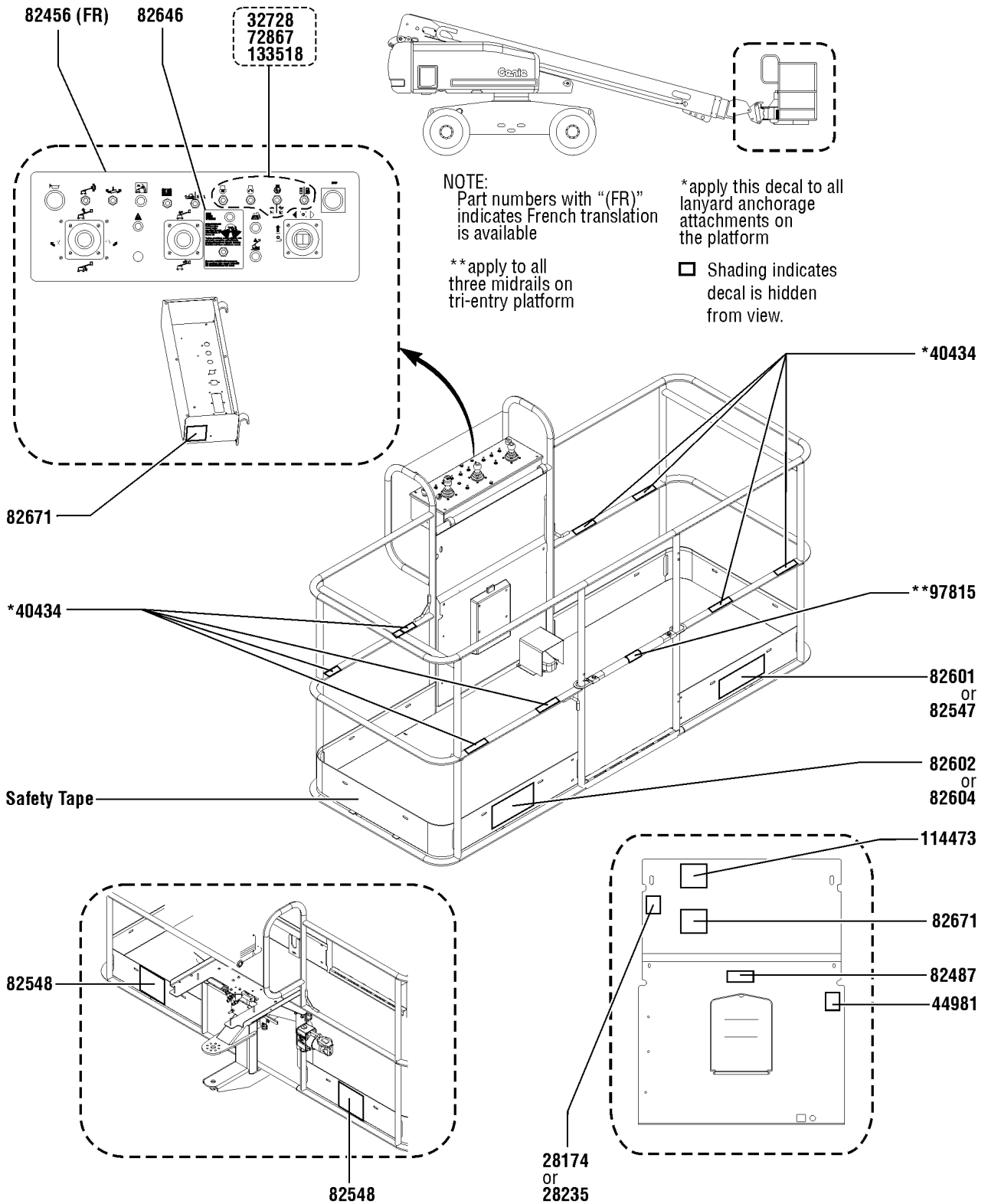


117.1 S-65 Decals with Symbol, Boom (ANSI & CE) (from SN 17350)

Item	Part No.	Description	Qty.
1	62078	DECAL,COSMETIC,GENIE S65.....1	
2	82472	DECAL,WARNING,CRUSHING HAZARD.....2	
3	114247	DECAL,LABEL,FALL HAZARD*** ....1	
4	114252	DECAL,LABEL,TIP OVER LMT SWTCH.....3	



118.1 S-65 Decals with Symbol, Platform (ANSI & CE) (from SN 17350)

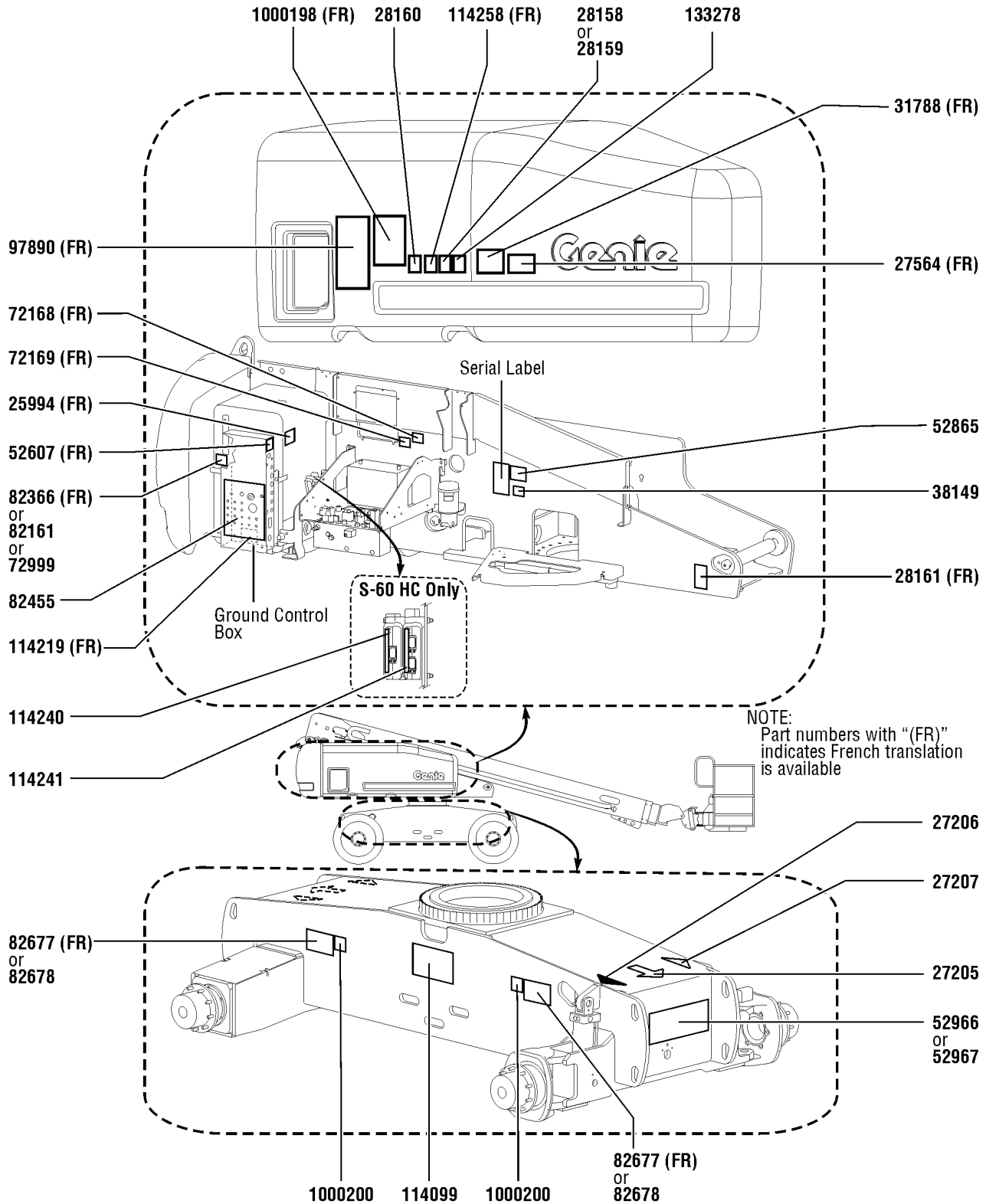




## 118.1 S-65 Decals with Symbol, Platform (ANSI &amp; CE) (from SN 17350)

Item	Part No.	Description	Qty.
1	28174	DECAL,POWER TO PLATFORM 230V.....	1
2	28235	DECAL,POWER TO PLATFORM 115V.....	1
3	32728	DECAL,OPTION GENERATOR*** <i>Option, generator</i>	1
4	40434	DECAL,LANYARD ANCHORAGE POINT.....	8
5	44981	DECAL,LABEL,AIRLINE 110 PSI..... <i>Option, airline to plat</i>	1
6	72867	DECAL,LABEL,LIGHTS*** ..... <i>Option, work lights or driving lights</i>	1
7	82456	DECAL,PLAT CONTROL PANEL,S60** .....	1
8	82487	DECAL,SYMBOL-READ THE MANUAL.....	1
9	82547	DECAL,DANGER,MAX LOAD 340 KG..... <i>Option, maximum platform capacity - 750 lbs</i>	1
10	82548	DECAL,WARN,CRUSH HAZARD PLAT.....	2
11	82601	DECAL,LABEL,MAX CAPACITY*** ..... <i>Maximum platform capacity - 500 lbs</i>	1
12	82602	DECAL,DANGER,MAX SIDE FRC,667N.....	1
13	82604	DECAL,DANGER,SIDE FRC 400N..... <i>CE</i>	1
14	82646	DECAL,DRIVE ENABLE PATCH.....	1
15	82671	DECAL,LABEL,WELD LINE INST,SYM..... <i>Option, weld cable line</i>	2
16	97815	DECAL,LABEL,LOWER MIDRAIL....	1
17	114473	DECAL,DANGER,TIPOVER,TILT,SYM.	1
18	133518	DECAL, PATCH, GEN,ALC-500..... <i>Opion, generator/welder</i>	1

119.1 S-60HC Decals with Word, Hydraulic Tank Side (ANSI & Australia) (from SN 17350)

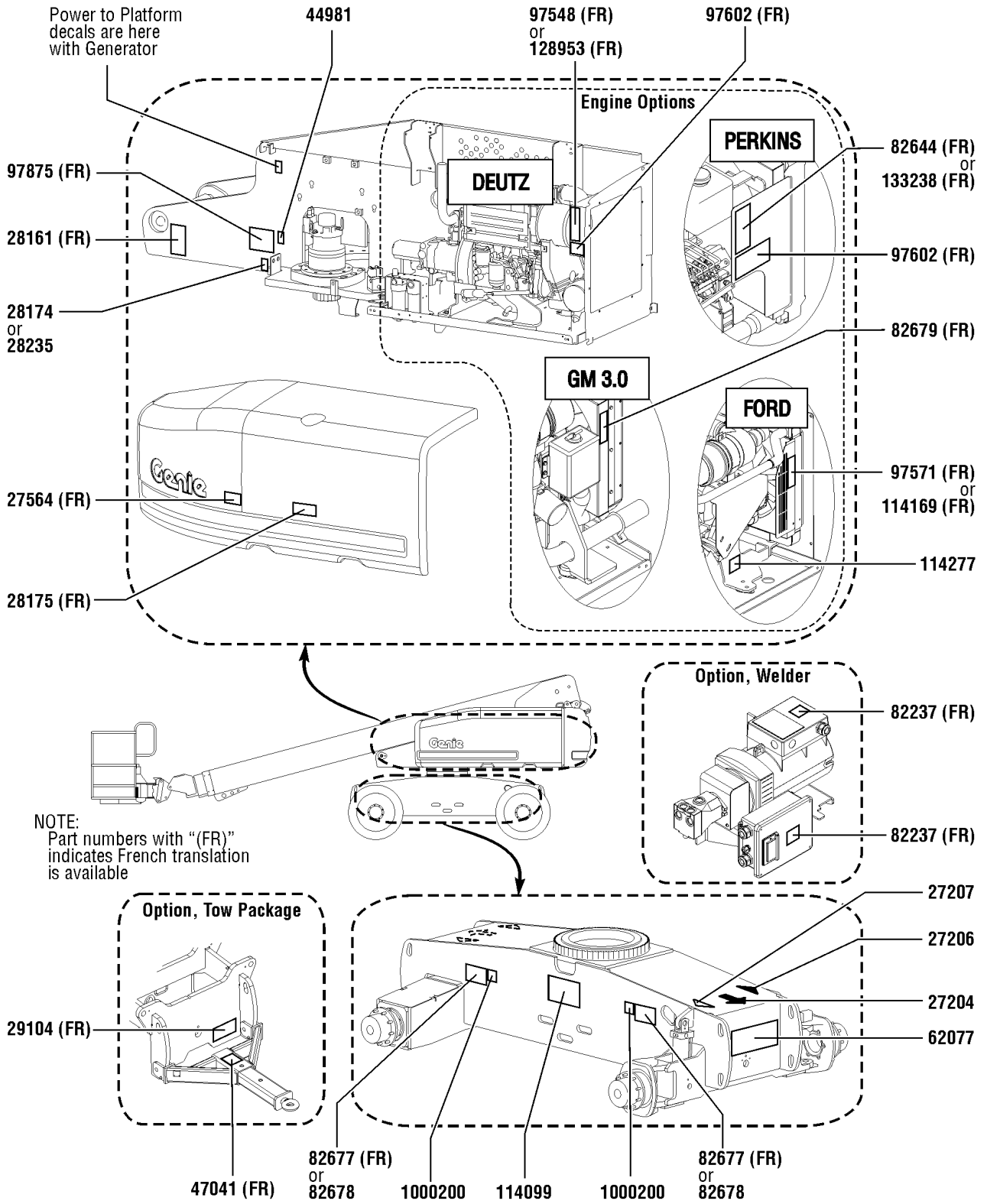


119.1 S-60HC Decals with Word, Hydraulic Tank Side (ANSI & Australia) (from SN 17350)

Item	Part No.	Description	Qty.	Item	Part No.	Description	Qty.
1	25994	DECAL,NOTICE,SHUTOFF VALVES.....	1	22	82677	DECAL,DANGER/LABEL,TIRE SPECS.....	2
2	27205	DECAL,ARROW YELLOW LRG 9".....	1	23	82678	DECAL,DANGER,HI-FLOAT TIRE 60*.....	2
3	27206	DECAL,TRIANGLE,BLUE.....	1			<i>ANSI Only Option, High Floatation tires</i>	
4	27207	DECAL,TRIANGLE,YELLOW.....	1	24	97890	DECAL,DANGER,GEN SAFETY RULES.....	1
5	27564	DECAL,DANGER,ELEC.HAZ.STAY CLR.....	1	25	114099	DECAL,LABEL,TRANSPORT DIAGRAM.....	1
6	28158	DECAL,LABEL,UNLEADED GAS ONLY.....	1	26	114219	DECAL,LABEL,RELAYS,S60&65.....	1
		<i>Option, Fuel</i>		27	114240	LABEL,TCON SOFTWARE,S60HC.....	1
7	28159	DECAL,DIESEL.....	1			<i>Option, Fuel</i>	
8	28160	DECAL,LABEL,LIQUID PROPANE.....	1	28	114241	LABEL,SCON SOFTWARE,S60HC.....	1
		<i>Option, LPG tank</i>		29	114258	DECAL,DANGER,NO SMOKING.....	1
9	28161	DECAL,WARN,CRUSH HAZARD HAND.....	1	30	133278	DECAL,LOW/ULTRA LOW SULFR FUEL.....	1
10	31788	DECAL,DANGER,BATTERY SAFETY***.....	1			<i>Diesel models only</i>	
11	38149	DECAL,LABEL,PATENTS.....	1	31	1000198	DECAL,INSTR,OPER INST.S60HC.....	1
		<i>(US Only)</i>		32	1000200	DECAL,LABEL,WHEEL LOAD S60HC.....	2
12	52607	DECAL,LABEL,TEST***.....	1				
		<i>(Ford Only)</i>					
13	52865	DECAL,ANNUAL INSP***.....	1				
		<i>(ANSI Only)</i>					
14	52966	DECAL,COSMETIC,4 X 2.....	1				
		<i>Option, Drive</i>					
15	52967	DECAL,COSMETIC,4 X 4.....	1				
		<i>Option, Drive</i>					
16	72168	DECAL,LABEL,STARTER BATTERY.....	1				
		<i>Option, Dual battery</i>					
17	72169	DECAL,LABEL,CONTROLS BATTERY.....	1				
		<i>Option, Dual battery</i>					
18	72999	DECAL,LABEL,PETRO CANADA***.....	1				
		<i>Option, hydraulic oil</i>					
19	82161	DECAL,LABEL,UCON HYDROLUBE.....	1				
		<i>Option, hydraulic oil</i>					
20	82366	DECAL,CHEVRON RANDO HD.....	1				
		<i>Option, hydraulic oil</i>					
21	82455	DECAL,GROUND CONTROL PANEL***.....	1				



120.1 S-60HC Decals with Word, Engine Side (ANSI & Australia) (from SN 17350)



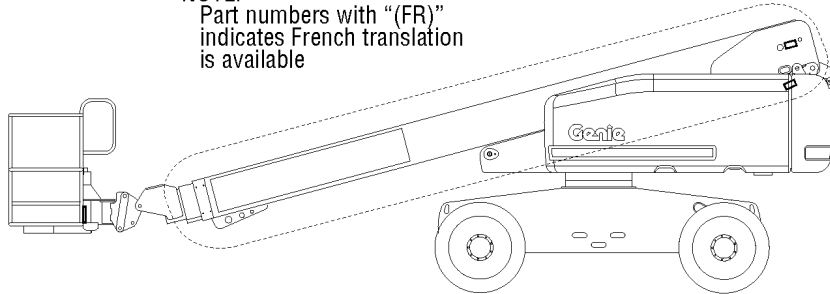
120.1 S-60HC Decals with Word, Engine Side (ANSI & Australia) (from SN 17350)

Item	Part No.	Description	Qty.	Item	Part No.	Description	Qty.
1	27204	DECAL,ARROW BLUE.....	1	22	114099	DECAL,LABEL,TRANSPORT DIAGRAM.....	1
2	27206	DECAL,TRIANGLE,BLUE.....	1	23	114169	DECAL,FORD ENGINE SPEC DSG423.....	1
3	27207	DECAL,TRIANGLE,YELLOW.....	1			<i>Ford DSG -423 from SN S6006-14054</i>	
4	27564	DECAL,DANGER,ELEC.HAZ.STAY CLR.....	1	24	114277	DECAL,LABEL,BELT ROUTING DSG.....	1
5	28161	DECAL,WARN,CRUSH HAZARD HAND.....	1			<i>Ford DSG-423</i>	
6	28174	DECAL,POWER TO PLATFORM 230V.....	1	25	128953	DECAL,ENGINE SPEC,DEUTZ,TD2011.....	1
7	28175	DECAL,COMPARTMENT ACCESS.....	1			<i>TD2011L03i - turbo deutz only from SN S6010-20379</i>	
8	28235	DECAL,POWER TO PLATFORM 115V.....	1	26	133238	DECAL,ENGINE SPEC,PERKINS***.....	1
9	29104	DECAL,TOWING INSTRUCTIONS.....	1			<i>404D-22 from SN S6008-19607</i>	
		<i>Option, Tow Package</i>		27	1000200	DECAL,LABEL,WHEEL LOAD S60HC.....	2
10	44981	DECAL,LABEL,AIRLINE 110 PSI.....	1				
		<i>Option, airline to platform</i>					
11	47041	DECAL,CAUTION,TOWING SPEED.....	1				
		<i>Option, Tow Package</i>					
12	62077	DECAL,COSMETIC,S60.....	1				
13	82237	DECAL,DANGER,HIGH VOLTAGE.....	2				
		<i>Option, Welder</i>					
14	82644	DECAL, ENGINE SPEC, PERKINS.....	1				
		<i>404C-22 from SN S6004-9694 to S6008-19606</i>					
15	82677	DECAL,DANGER/LABEL,TIRE SPECS.....	2				
16	82678	DECAL,DANGER,HI-FLOAT TIRE 60*.....	2				
		<i>ANSI Only Option, high floatation tires</i>					
17	82679	DECAL,NOTICE,GM 3.0 ENG SPEC.....	1				
18	97548	DECAL,ENGINE SPEC,DEUTZ 2011.....	1				
		<i>D2011L03i</i>					
19	97571	DECAL,NOTICE,FORD ENG SPECS T2.....	1				
		<i>LRG -425 to SN S6006-14053</i>					
20	97602	DECAL,EXPLOSION HAZARD.....	1				
		<i>Diesel engines</i>					
21	97875	DECAL,WARN.WELD LINE INST.WORD.....	1				
		<i>Option, Weld Cable Line</i>					



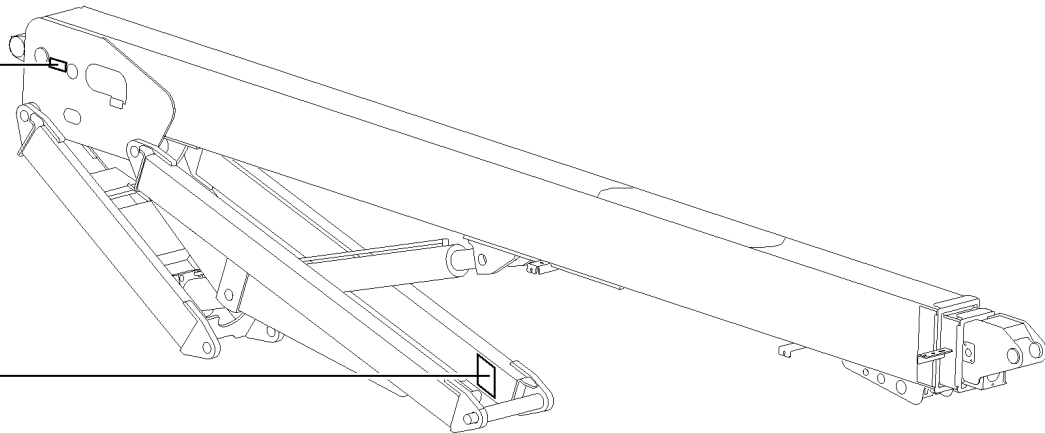
121.1 S-60HC Decals with Word, Boom (ANSI & Australia) (from SN 17350)

NOTE:  
Part numbers with "(FR)"  
indicates French translation  
is available



31060 (FR)

28161 (FR)



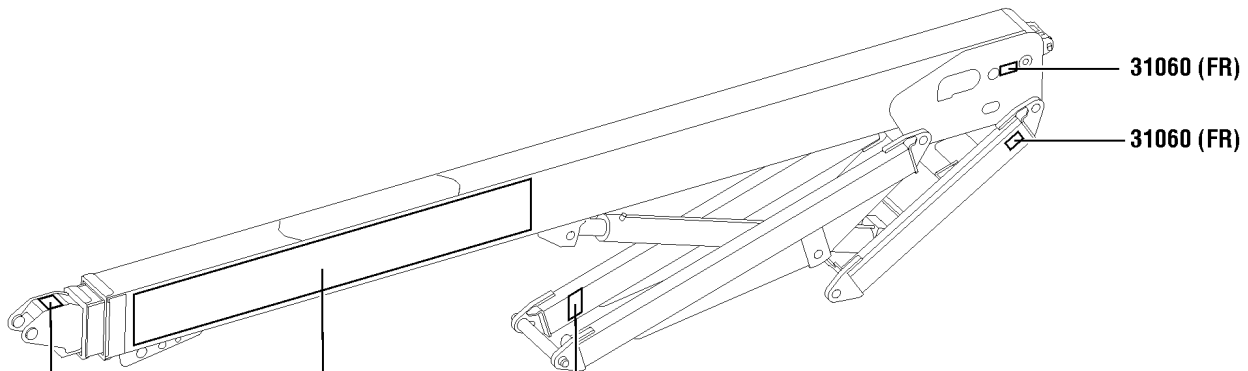
31060 (FR)

31060 (FR)

28181 (FR)

1000199

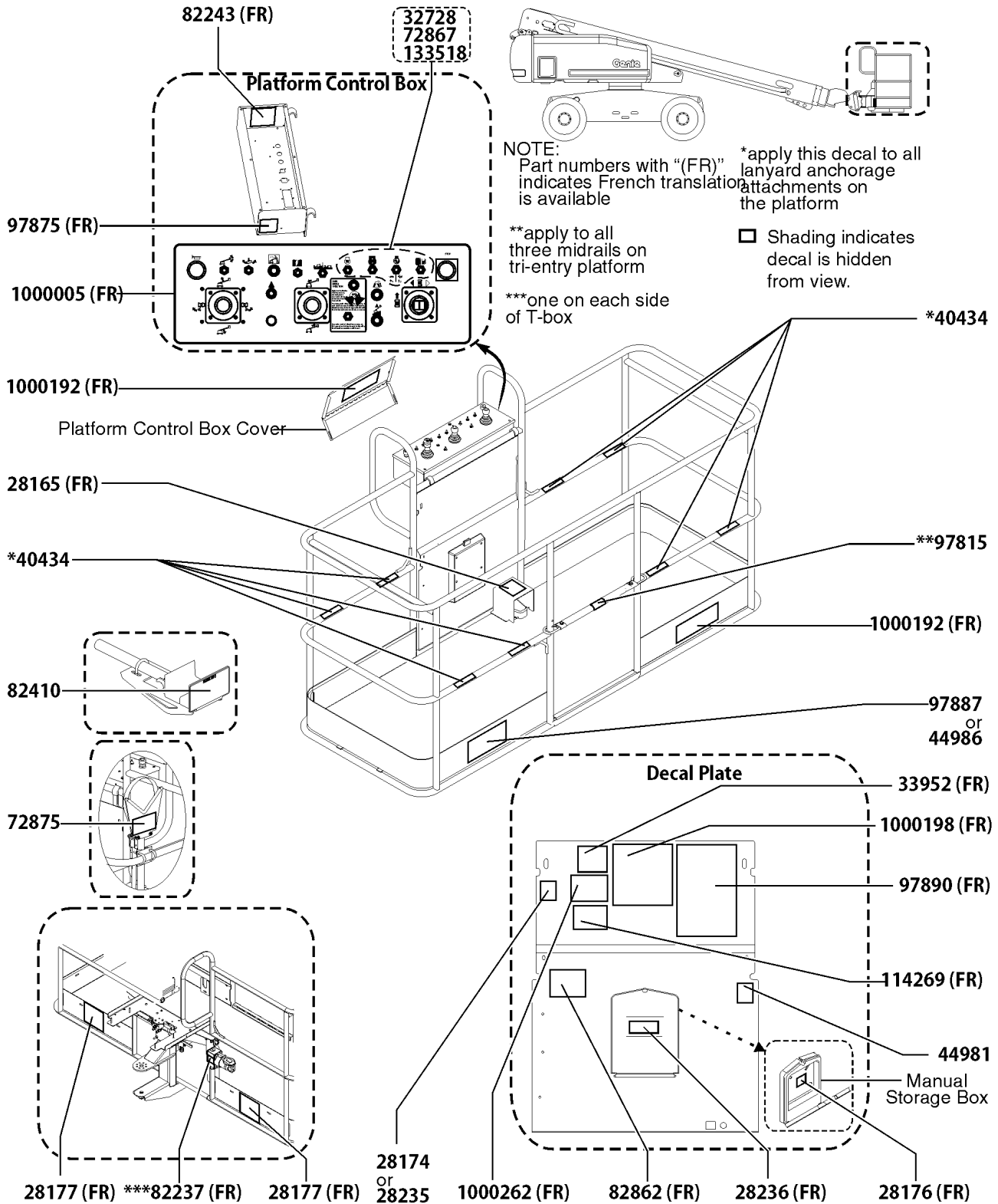
28161 (FR)



121.1 S-60HC Decals with Word, Boom (ANSI & Australia) (from SN 17350)

Item	Part No.	Description	Qty.
1	28161	DECAL,WARN,CRUSH HAZARD HAND.....	2
2	28181	DECAL,WARN,FALL HAZARD.....	1
3	31060	DECAL,DANGER DO NOT ALTER SWTC.....	3
4	1000199	DECAL,COSMETIC,GENIE S-60HC.....	1

122.1 S-60HC Decals with Word, Platform (ANSI & Australia) (from SN 17350)



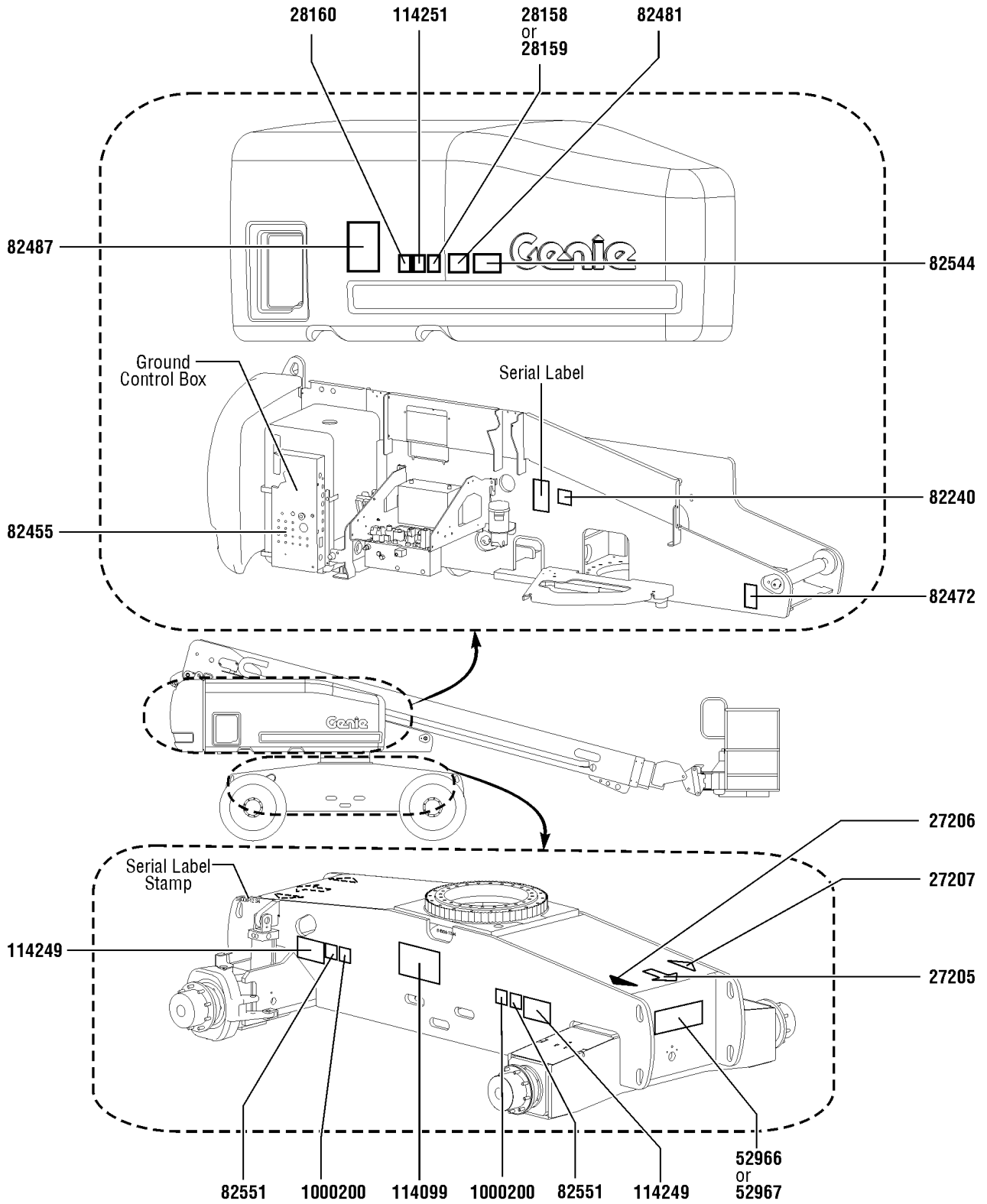


122.1 S-60HC Decals with Word, Platform (ANSI & Australia) (from SN 17350)

Item	Part No.	Description	Qty.	Item	Part No.	Description	Qty.
1	28165	DECAL,INSTRUCT,FOOTSWITCH OPER.....	1	22	114269	DECAL,DANGER,WELDER TIP HAZARD.....	1
2	28174	DECAL,POWER TO PLATFORM 230V.....	1			<i>Option, Welder</i>	
3	28176	DECAL,LABEL,MANUAL NOT HERE.....	1	23	133518	DECAL, PATCH, GEN,ALC-500.....	1
4	28177	DECAL,WARN,CRUSH HAZARD PLAT.....	2			<i>Option, Generator / Welder</i>	
5	28235	DECAL,POWER TO PLATFORM 115V.....	1	24	1000005	DECAL,PLATFORM CONTROL PANELHC.....	1
6	28236	DECAL,WARN,IMPROPER OPERATION.....	1	25	1000192	DECAL,INSTR,MAX LOAD 750/1250.....	2
7	32728	DECAL,OPTION GENERATOR***.....	1			<i>750-1250 lbs</i>	
8	33952	DECAL,DANGER,TILT ALARM.....	1	26	1000198	DECAL,INSTR,OPER INST.S60HC.....	1
9	40434	DECAL,LANYARD ANCHORAGE POINT.....	8	27	1000262	DECAL,DANGER,TIP OVER,PLAT.....	1
10	44981	DECAL,LABEL,AIRLINE 110 PSI.....	1			<i>Use on S-60 HC and S-60s with 750 lb capacity option</i>	
11	44986	DECAL,INSTR,SIDE FRC/WIND,AUS.....	1				
		<i>Australia</i>					
12	72867	DECAL,LABEL,LIGHTS***.....	1				
		<i>Option, Work Lights or Driving Lights</i>					
13	72875	DECAL,WARNING,PIPE CRADLE,BOOM.....	2				
		<i>Option, Pipe Cradle</i>					
14	82237	DECAL,DANGER,HIGH VOLTAGE.....	2				
		<i>Option, Welder</i>					
15	82243	DECAL FAULT CODE.....	1				
16	82410	DECAL,WARNING,PANEL CRADLE.....	2				
		<i>Option, Panel Cradle</i>					
17	82862	DECAL,FIRE EXTINGUISHER.....	1				
		<i>Option, Welder</i>					
18	97815	DECAL,LABEL,LOWER MIDRAIL....	1				
19	97875	DECAL,WARN.WELD LINE INST.WORD.....	1				
		<i>Option, Weld cable line</i>					
20	97887	DECAL,INSTR,MAX SIDE FRC,ANSI.....	1				
		<i>ANSI</i>					
21	97890	DECAL,DANGER,GEN SAFETY RULES.....	1				



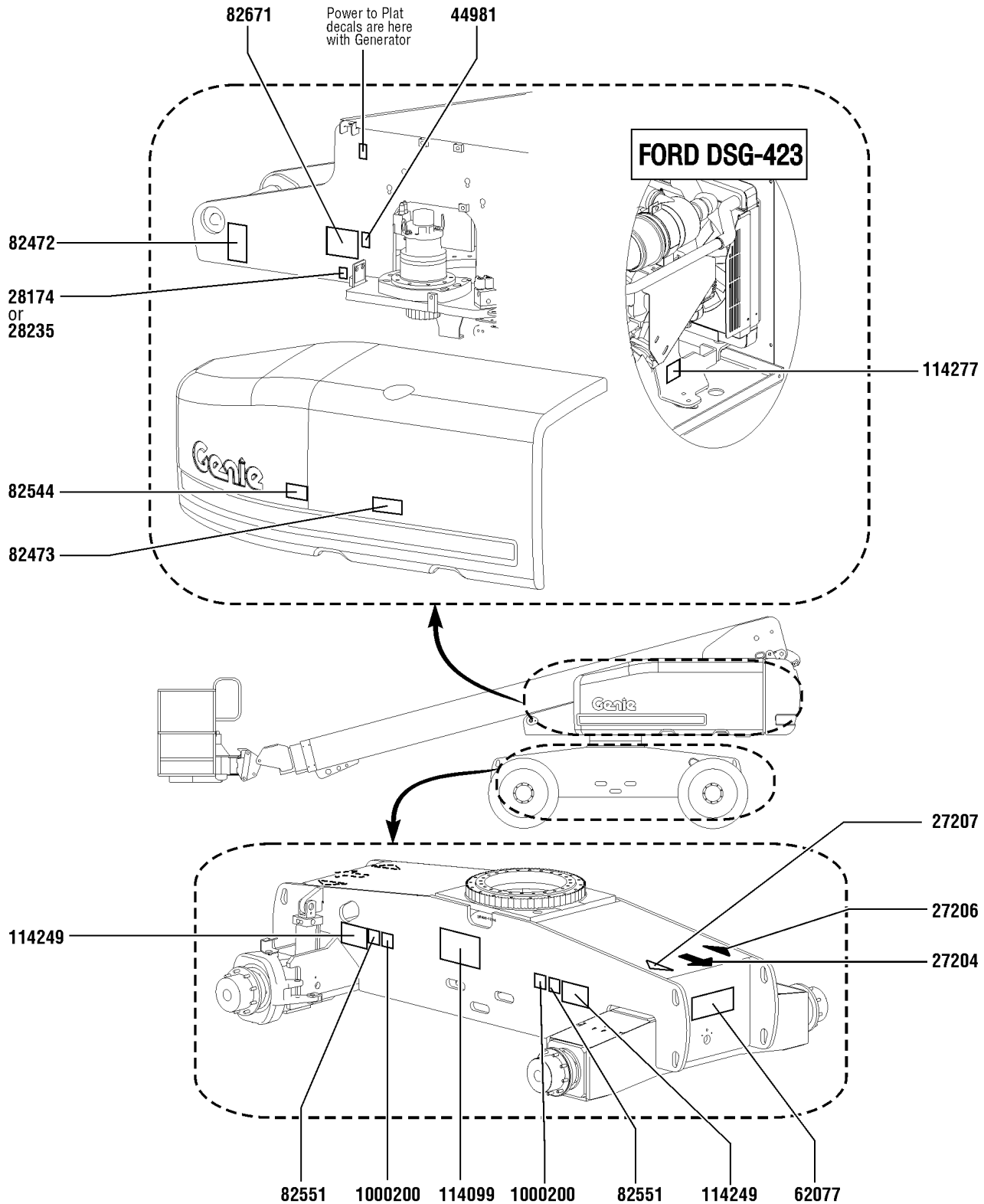
123.1 S-60HC Decals with Symbol, Hydraulic Tank Side (ANSI & CE) (from SN 17350)



## 123.1 S-60HC Decals with Symbol, Hydraulic Tank Side (ANSI &amp; CE) (from SN 17350)

Item	Part No.	Description	Qty.
1	27205	DECAL,ARROW YELLOW LRG 9".....	1
2	27206	DECAL,TRIANGLE,BLUE.....	1
3	27207	DECAL,TRIANGLE,YELLOW.....	1
4	28158	DECAL,LABEL,UNLEADED GAS ONLY..... <i>Option, fuel</i>	1
5	28159	DECAL,DIESEL..... <i>Option, fuel</i>	1
6	28160	DECAL,LABEL,LIQUID PROPANE..... <i>Option, LPG Tank</i>	1
7	52966	DECAL,COSMETIC,4 X 2..... <i>Option, drive</i>	1
8	52967	DECAL,COSMETIC,4 X 4..... <i>Option, drive</i>	1
9	82240	DECAL,LABEL,105 DB.....	1
10	82455	DECAL,GROUND CONTROL PANEL ***.....	1
11	82472	DECAL,WARNING,CRUSHING HAZARD.....	1
12	82481	DECAL,SYMBOL-BATTERY SAFETY.....	1
13	82487	DECAL,SYMBOL-READ THE MANUAL.....	1
14	82544	DECAL,DANGER,ELEC.HAZ.STAY CLR.....	1
15	82551	DECAL,LABEL,TIRE PRESSURE S60..... <i>RT air filled tires only</i>	2
16	114099	DECAL,LABEL,TRANSPORT DIAGRAM.....	1
17	114249	DECAL,LABEL,TIPOVER,TIRES,SYMB.	2
18	114251	DECAL,LABEL,NO SMOKING,SYMB.....	1
19	1000200	DECAL,LABEL,WHEEL LOAD S60HC.....	2

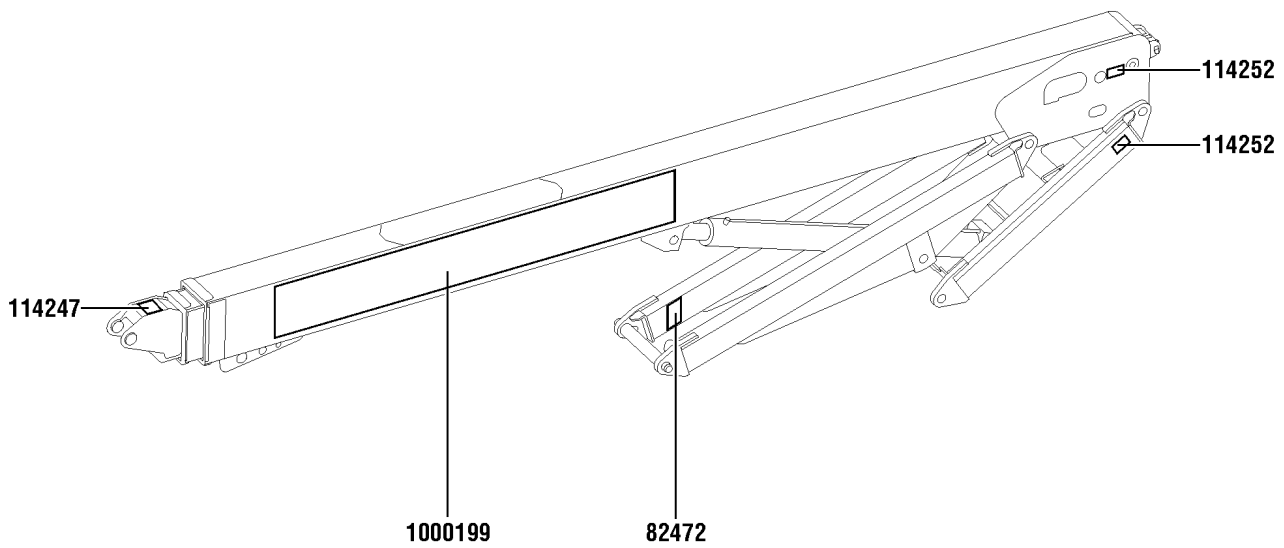
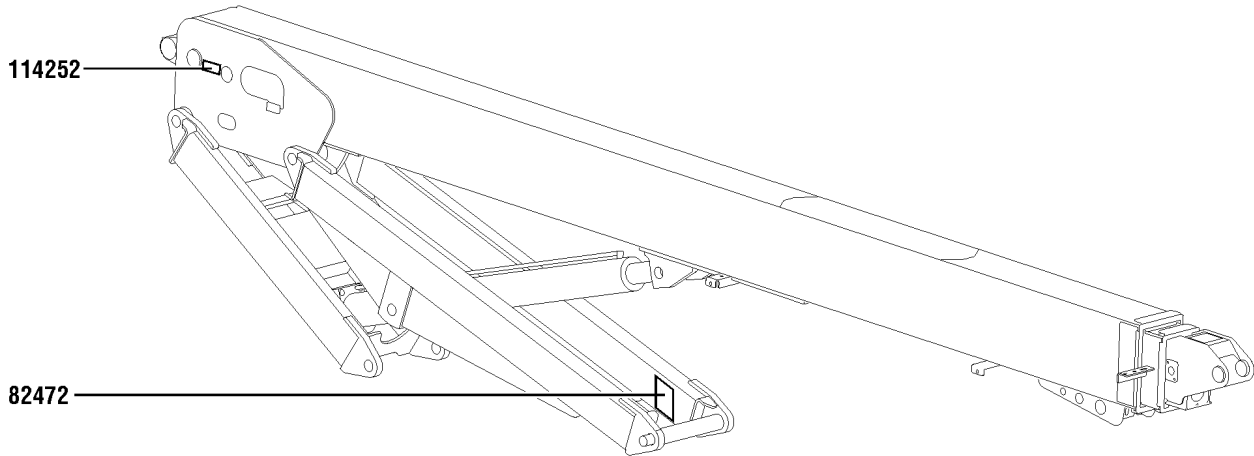
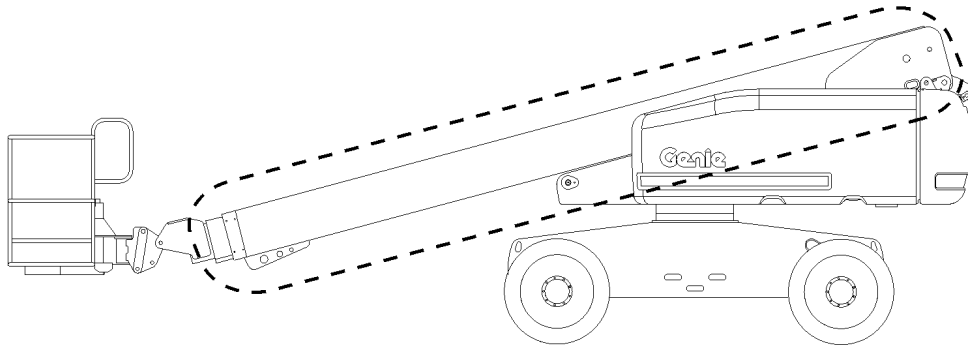
124.1 S-60HC Decals with Symbol, Engine Side (ANSI & CE) (from SN 17350)



## 124.1 S-60HC Decals with Symbol, Engine Side (ANSI &amp; CE) (from SN 17350)

Item	Part No.	Description	Qty.
1	27204	DECAL,ARROW BLUE.....	1
2	27206	DECAL,TRIANGLE,BLUE.....	1
3	27207	DECAL,TRIANGLE,YELLOW.....	1
4	28174	DECAL,POWER TO PLATFORM 230V.....	1
5	28235	DECAL,POWER TO PLATFORM 115V.....	1
6	44981	DECAL,LABEL,AIRLINE 110 PSI..... <i>Option, airline to plat</i>	1
7	62077	DECAL,COSMETIC,S60.....	1
8	82472	DECAL,WARNING,CRUSHING HAZARD.....	1
9	82473	DECAL,SYMBOL-COMP ACCESS.....	1
10	82544	DECAL,DANGER,ELEC.HAZ.STAY CLR.....	1
11	82551	DECAL,LABEL,TIRE PRESSURE S60..... <i>RT air filled tires only</i>	2
12	82671	DECAL,LABEL,WELD LINE INST,SYM..... <i>Option, weld cable line</i>	1
13	114099	DECAL,LABEL,TRANSPORT DIAGRAM.....	1
14	114249	DECAL,LABEL,TIPOVER,TIRES,SYMB.2	
15	114277	DECAL,LABEL,BELT ROUTING DSG..... <i>Ford DSG-423</i>	1
16	1000200	DECAL,LABEL,WHEEL LOAD S60HC.....	2

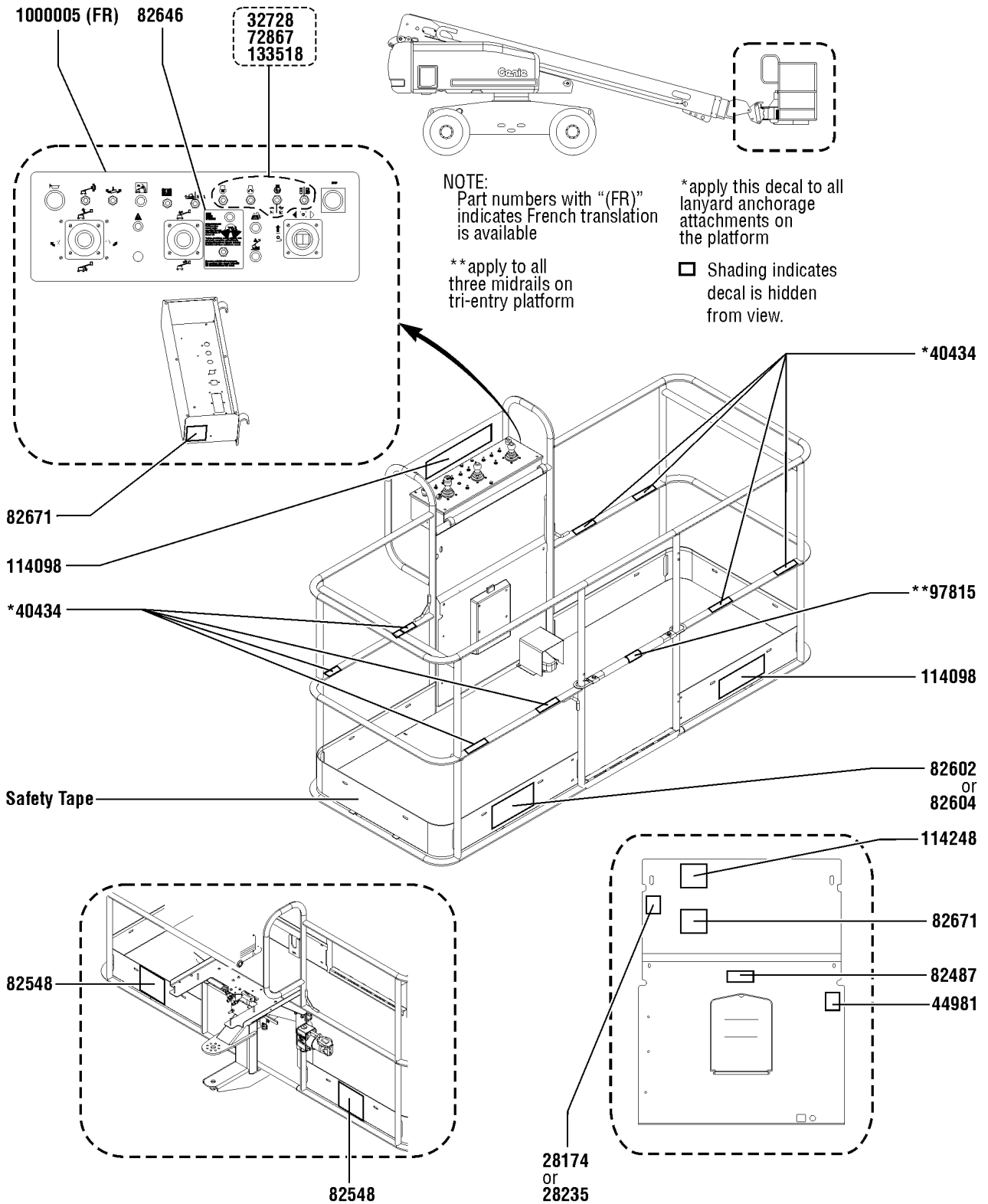
125.1 S-60HC Decals with Symbol, Boom (ANSI & CE) (from SN 17350)



125.1 S-60HC Decals with Symbol, Boom (ANSI & CE) (from SN 17350)

Item	Part No.	Description	Qty.
1	82472	DECAL,WARNING,CRUSHING HAZARD.....	2
2	114247	DECAL,LABEL,FALL HAZARD*** ....	1
3	114252	DECAL,LABEL,TIP OVER LMT SWTCH.....	3
4	1000199	DECAL,COSMETIC,GENIE S-60HC.....	1

126.1 S-60HC Decals with Symbol, Platform (ANSI & CE) (from SN 17350)

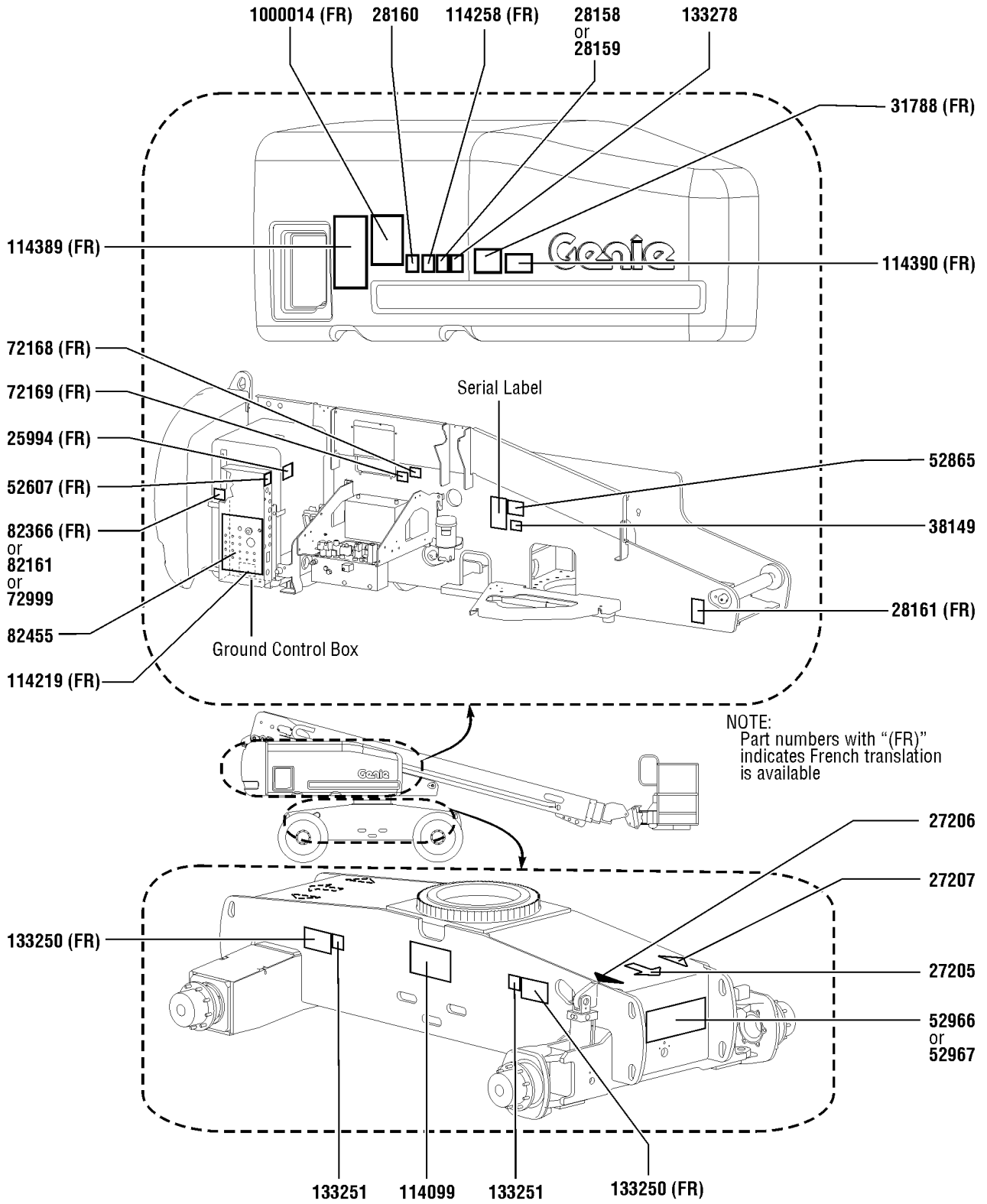




## 126.1 S-60HC Decals with Symbol, Platform (ANSI &amp; CE) (from SN 17350)

Item	Part No.	Description	Qty.
1	28174	DECAL,POWER TO PLATFORM 230V.....	1
2	28235	DECAL,POWER TO PLATFORM 115V.....	1
3	32728	DECAL,OPTION GENERATOR*** <i>Option, generator</i>	1
4	40434	DECAL,LANYARD ANCHORAGE POINT.....	8
5	44981	DECAL,LABEL,AIRLINE 110 PSI..... <i>Option, airline to plat</i>	1
6	72867	DECAL,LABEL,LIGHTS*** ..... <i>Option, work lights or driving lights</i>	1
7	82487	DECAL,SYMBOL-READ THE MANUAL.....	1
8	82548	DECAL,WARN,CRUSH HAZARD PLAT.....	2
9	82602	DECAL,DANGER,MAX SIDE FRC,667N.....	1
10	82604	DECAL,DANGER,SIDE FRC 400N.....	1
11	82646	DECAL,DRIVE ENABLE PATCH.....	1
12	82671	DECAL,LABEL,WELD LINE INST,SYM.....	2
		<i>Option, weld cable line</i>	
13	97815	DECAL,LABEL,LOWER MIDRAIL....	1
14	114098	DECAL,DANGER,MAX LOAD S60HCSYM.....	2
15	114248	DECAL,LABEL,TIPOVER,TILT AL SY.....	1
16	133518	DECAL, PATCH, GEN,ALC-500..... <i>Opion, generator/welder</i>	1
17	1000005	DECAL,PLATFORM CONTROL PANELHC.....	1

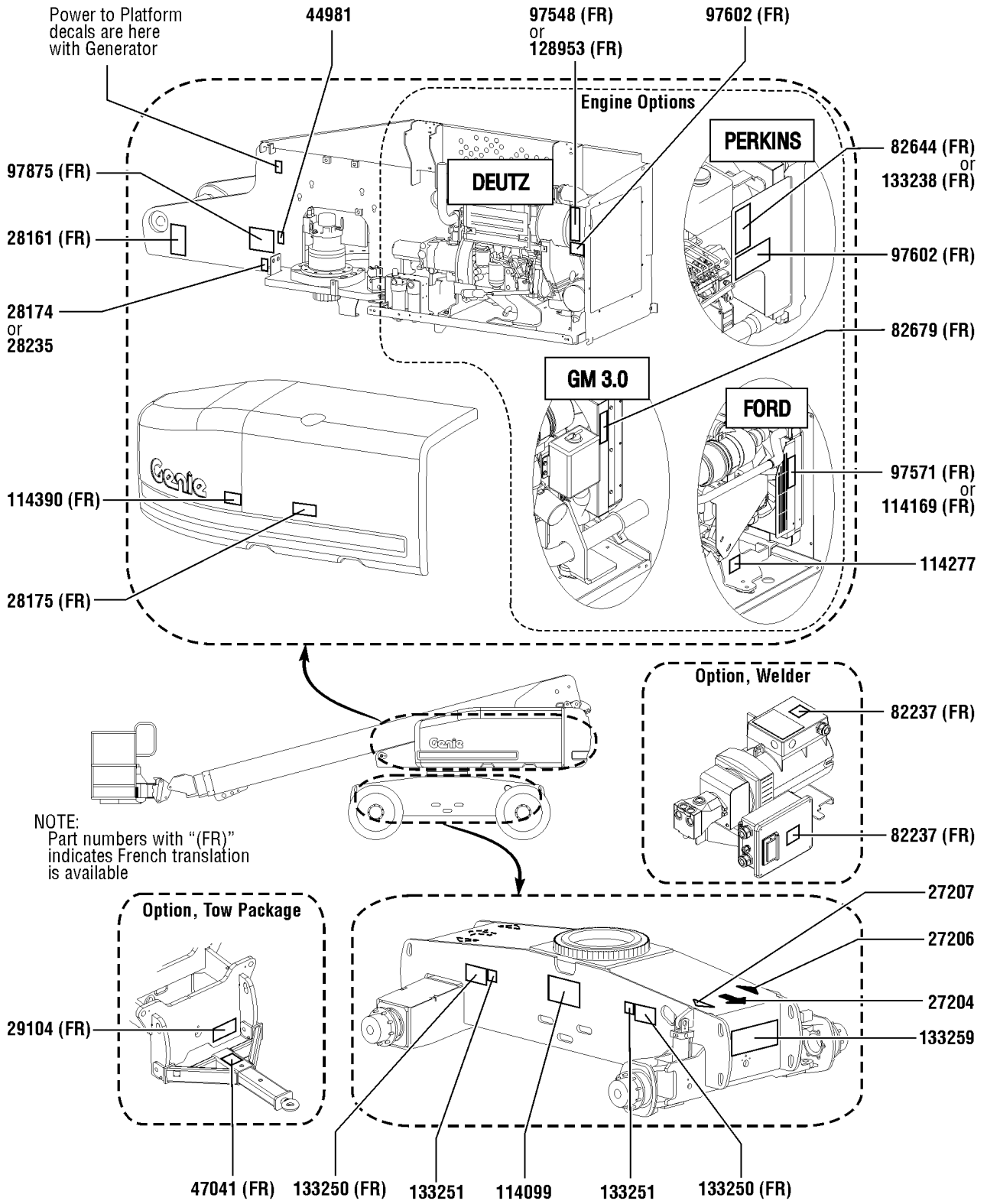
127.1 S-60TraX Decals with Word, Hydraulic Tank Side (ANSI & Australia) (from SN 17350)



## 127.1 S-60TraX Decals with Word, Hydraulic Tank Side (ANSI &amp; Australia) (from SN 17350)

Item	Part No.	Description	Qty.	Item	Part No.	Description	Qty.
1	25994	DECAL,NOTICE,SHUTOFF VALVES.....	1	22	114219	DECAL,LABEL,RELAYS,S60&65.....	1
2	27205	DECAL,ARROW YELLOW LRG 9".....	1	23	114258	DECAL,DANGER,NO SMOKING.....	1
3	27206	DECAL,TRIANGLE,BLUE.....	1	24	114389	DECAL,DANGER,GENERAL SAFETY.....	1
4	27207	DECAL,TRIANGLE,YELLOW.....	1	25	114390	DECAL,DANGER,ELECT HAZARD***.....	1
5	28158	DECAL,LABEL,UNLEADED GAS ONLY..... <i>Option, Fuel</i>	1	26	133250	DECAL,DANGER TIP OVER TRAX.....	2
6	28159	DECAL,DIESEL..... <i>Option, Fuel</i>	1	27	133251	DECAL, WHEEL LOAD S60TRAX...2	2
7	28160	DECAL,LABEL,LIQUID PROPANE..... <i>Option, LPG tank</i>	1	28	133278	DECAL,LOW/ULTRA LOW SULFR FUEL..... <i>Diesel models only</i>	1
8	28161	DECAL,WARN,CRUSH HAZARD HAND.....	1	29	1000014	DECAL,NOTICE,OPER INST.S60....	1
9	31788	DECAL,DANGER,BATTERY SAFETY***.....	1				
10	38149	DECAL,LABEL,PATENTS..... <i>(US Only)</i>	1				
11	52607	DECAL,LABEL,TEST***..... <i>(Ford Only)</i>	1				
12	52865	DECAL,ANNUAL INSP***..... <i>(ANSI Only)</i>	1				
13	52966	DECAL,COSMETIC,4 X 2..... <i>Option, Drive</i>	1				
14	52967	DECAL,COSMETIC,4 X 4..... <i>Option, Drive</i>	1				
15	72168	DECAL,LABEL,STARTER BATTERY..... <i>Option, Dual battery</i>	1				
16	72169	DECAL,LABEL,CONTROLS BATTERY..... <i>Option, Dual battery</i>	1				
17	72999	DECAL,LABEL,PETRO CANADA***..... <i>Option, hydraulic oil</i>	1				
18	82161	DECAL,LABEL,UCON HYDROLUBE..... <i>Option, hydraulic oil</i>	1				
19	82366	DECAL,CHEVRON RANDO HD..... <i>Option, hydraulic oil</i>	1				
20	82455	DECAL,GROUND CONTROL PANEL***.....	1				
21	114099	DECAL,LABEL,TRANSPORT DIAGRAM.....	1				

128.1 S-60TraX Decals with Word, Engine Side (ANSI & Australia) (from SN 17350)

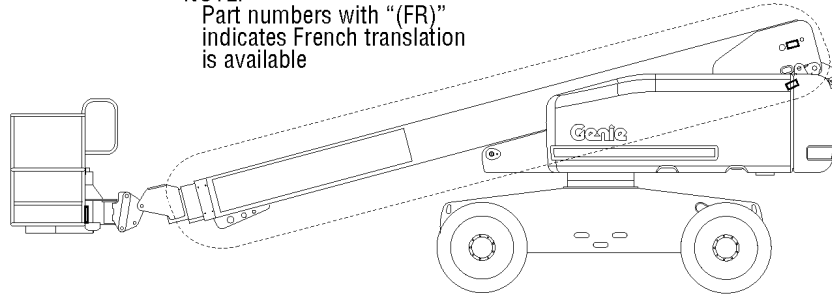


## 128.1 S-60TraX Decals with Word, Engine Side (ANSI &amp; Australia) (from SN 17350)

Item	Part No.	Description	Qty.	Item	Part No.	Description	Qty.
1	27204	DECAL,ARROW BLUE.....	1	21	114390	DECAL,DANGER,ELECT HAZARD***.....	1
2	27206	DECAL,TRIANGLE,BLUE.....	1	22	128953	DECAL,ENGINE SPEC,DEUTZ,TD2011.....	1
3	27207	DECAL,TRIANGLE,YELLOW.....	1			<i>TD2011L03i - turbo deutz only from SN S6010-20379</i>	
4	28161	DECAL,WARN,CRUSH HAZARD HAND.....	1	23	133238	DECAL,ENGINE SPEC,PERKINS***.....	1
5	28174	DECAL,POWER TO PLATFORM 230V.....	1			<i>404D-22 from SN S6008-19607</i>	
6	28175	DECAL,COMPARTMENT ACCESS.....	1	24	133250	DECAL,DANGER TIP OVER TRAX.....	2
7	28235	DECAL,POWER TO PLATFORM 115V.....	1	25	133251	DECAL, WHEEL LOAD S60TRAX...2	
8	29104	DECAL,TOWING INSTRUCTIONS.....	1	26	133259	DECAL,COSM, S60 TRAX.....	1
		<i>Option, Tow Package</i>					
9	44981	DECAL,LABEL,AIRLINE 110 PSI.....	1				
		<i>Option, airline to platform</i>					
10	47041	DECAL,CAUTION,TOWING SPEED.....	1				
		<i>Option, Tow Package</i>					
11	82237	DECAL,DANGER,HIGH VOLTAGE.....	2				
		<i>Option, Welder</i>					
12	82644	DECAL, ENGINE SPEC, PERKINS.....	1				
		<i>404C-22 from SN S6004-9694 to S6008-19606</i>					
13	82679	DECAL,NOTICE,GM 3.0 ENG SPEC.....	1				
14	97548	DECAL,ENGINE SPEC,DEUTZ 2011.....	1				
		<i>D2011L03i</i>					
15	97571	DECAL,NOTICE,FORD ENG SPECS T2.....	1				
		<i>LRG -425 to SN S6006-14053</i>					
16	97602	DECAL,EXPLOSION HAZARD.....	1				
		<i>Diesel engines</i>					
17	97875	DECAL,WARN.WELD LINE INST.WORD.....	1				
		<i>Option, Weld Cable Line</i>					
18	114099	DECAL,LABEL,TRANSPORT DIAGRAM.....	1				
19	114169	DECAL,FORD ENGINE SPEC DSG423.....	1				
		<i>Ford DSG -423 from SN S6006-14054</i>					
20	114277	DECAL,LABEL,BELT ROUTING DSG.....	1				
		<i>Ford DSG-423</i>					

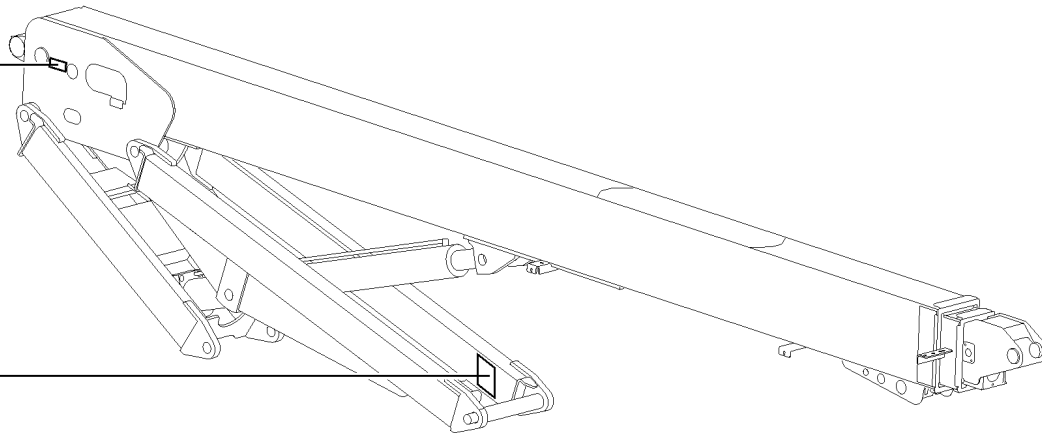
129.1 S-60TraX Decals with Word, Boom (ANSI & Australia) (from SN 17350)

NOTE:  
Part numbers with "(FR)"  
indicates French translation  
is available



31060 (FR)

28161 (FR)



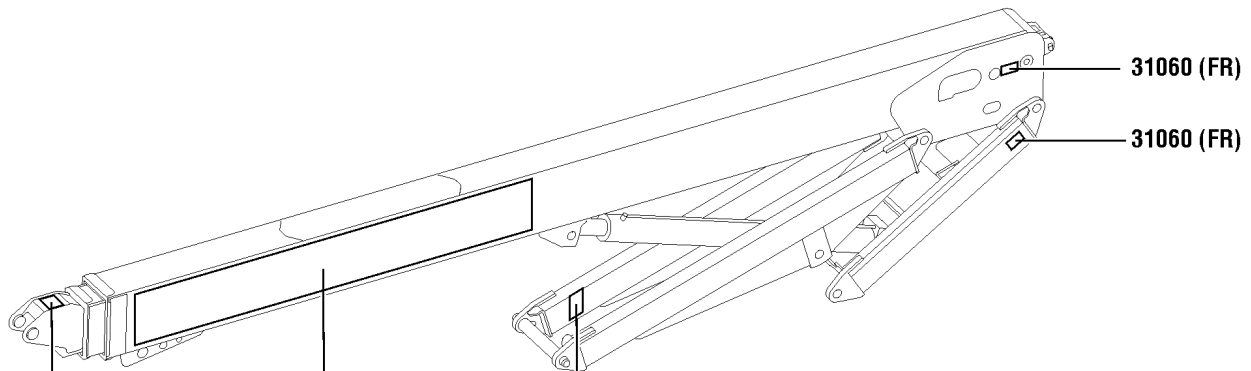
31060 (FR)

31060 (FR)

28181 (FR)

133253

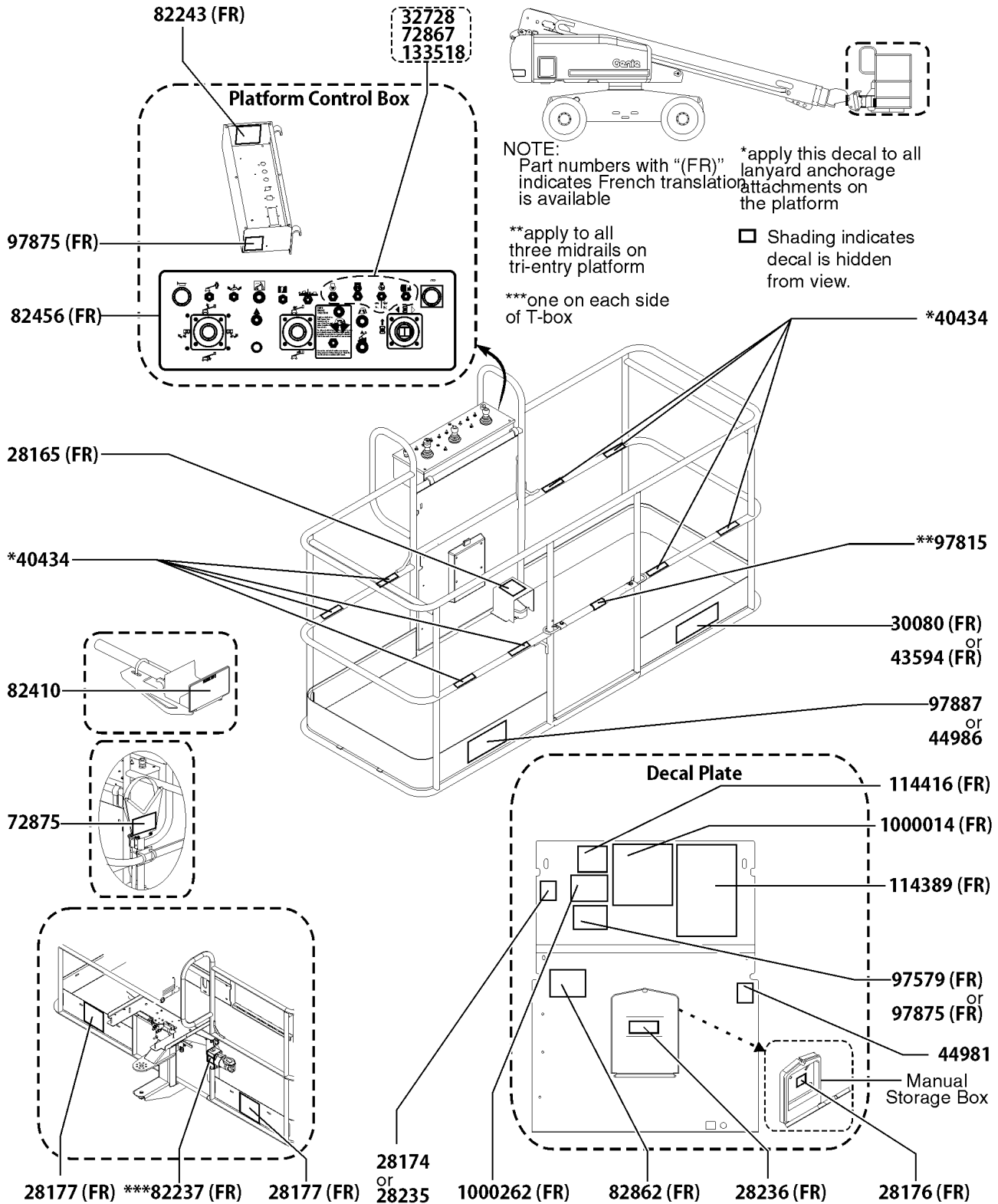
28161 (FR)



129.1 S-60TraX Decals with Word, Boom (ANSI & Australia) (from SN 17350)

Item	Part No.	Description	Qty.
1	28161	DECAL,WARN,CRUSH HAZARD HAND.....	2
2	28181	DECAL,WARN,FALL HAZARD.....	1
3	31060	DECAL,DANGER DO NOT ALTER SWTC.....	3
4	133253	DECAL,COSM,GENIE S60 TRAX....	1

130.1 S-60TraX Decals with Word, Platform (ANSI & Australia) (from SN 17350)



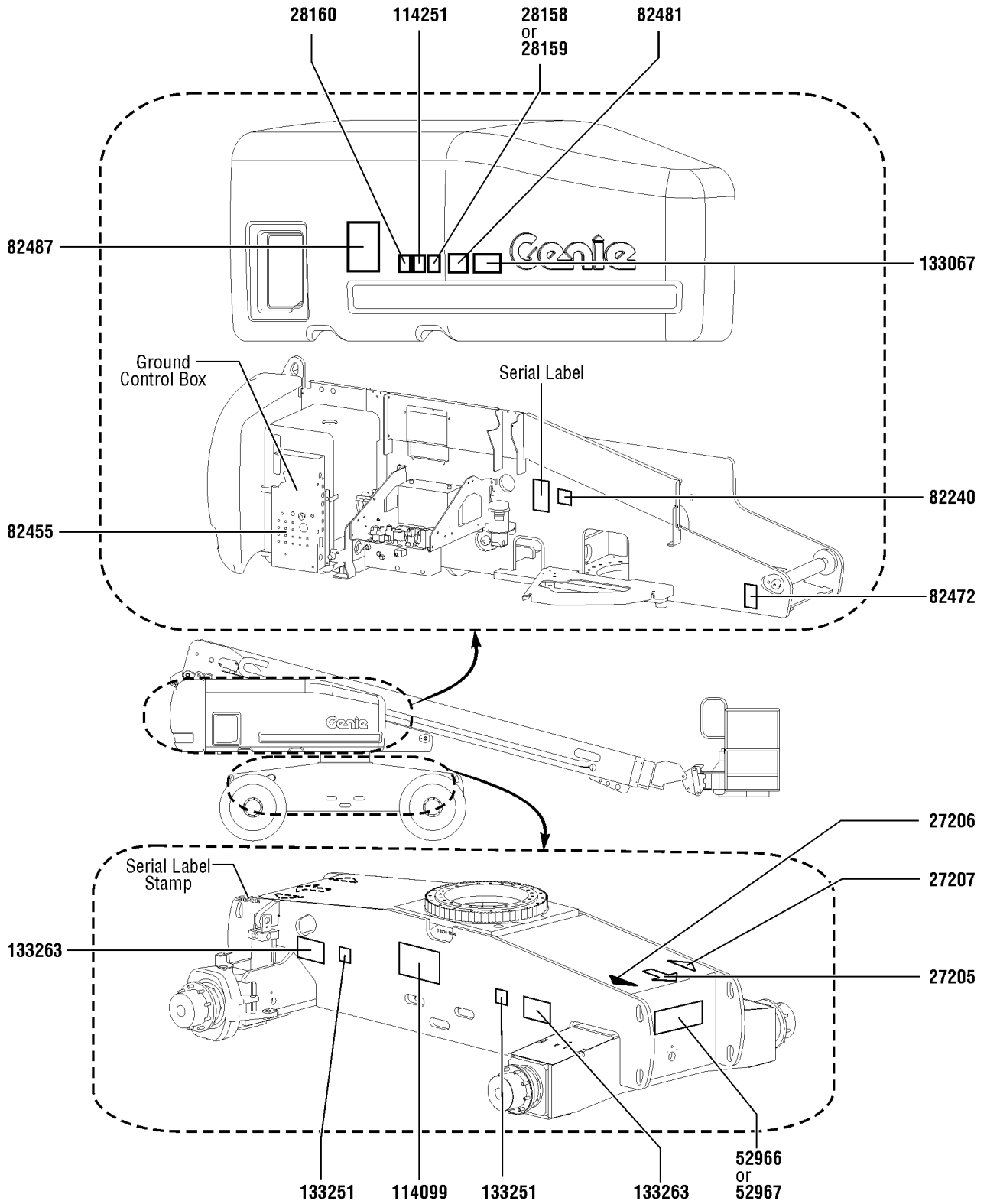


130.1 S-60TraX Decals with Word, Platform (ANSI & Australia) (from SN 17350)

Item	Part No.	Description	Qty.	Item	Part No.	Description	Qty.
1	28165	DECAL,INSTRUCT,FOOTSWITCH OPER.....	1	22	97875	DECAL,WARN.WELD LINE INST.WORD.....	2
2	28174	DECAL,POWER TO PLATFORM 230V.....	1			<i>Option, Weld cable line</i>	
3	28176	DECAL,LABEL,MANUAL NOT HERE.....	1	23	97887	DECAL,INSTR,MAX SIDE FRC,ANSI.....	1
4	28177	DECAL,WARN,CRUSH HAZARD PLAT.....	2			<i>ANSI</i>	
5	28235	DECAL,POWER TO PLATFORM 115V.....	1	24	114389	DECAL,DANGER,GENERAL SAFETY.....	1
6	28236	DECAL,WARN,IMPROPER OPERATION.....	1	25	114416	DECAL,DANGER,TIPOVER,TILT....	1
7	30080	DECAL,NOTICE,MAX LOAD 500 LBS.....	1	26	133518	DECAL, PATCH, GEN,ALC-500.....	1
		<i>500 lbs</i>				<i>Option, Generator / Welder</i>	
8	32728	DECAL,OPTION GENERATOR***...1	1	27	1000014	DECAL,NOTICE,OPER INST.S60....	1
		<i>Option, Generator</i>		28	1000262	DECAL,DANGER,TIP OVER,PLAT.....	1
9	40434	DECAL,LANYARD ANCHORAGE POINT.....	8			<i>Use on S-60 HC and S-60s with 750 lb capacity option</i>	
10	43594	DECAL,NOTICE,MAX LOAD 750 LBS.....	1				
		<i>Option, 750 lbs</i>					
11	44981	DECAL,LABEL,AIRLINE 110 PSI....1	1				
		<i>Option, airline to platform</i>					
12	44986	DECAL,INSTR,SIDE FRC/WIND,AUS.....	1				
		<i>Australia</i>					
13	72867	DECAL,LABEL,LIGHTS*** .....1	1				
		<i>Option, Work Lights or Driving Lights</i>					
14	72875	DECAL,WARNING,PIPE CRADLE,BOOM.....	2				
		<i>Option, Pipe Cradle</i>					
15	82237	DECAL,DANGER,HIGH VOLTAGE.....	2				
		<i>Option, Welder</i>					
16	82243	DECAL FAULT CODE.....	1				
17	82410	DECAL,WARNING,PANEL CRADLE.....	2				
		<i>Option, Panel Cradle</i>					
18	82456	DECAL,PLAT CONTROL PANEL,S60**.....	1				
19	82862	DECAL,FIRE EXTINGUISHER.....1	1				
		<i>Option, Welder</i>					
20	97579	DECAL,DANGER,TIP-OVER,WELDER**1	1				
		<i>Option, Welder</i>					
21	97815	DECAL,LABEL,LOWER MIDRAIL....1	1				



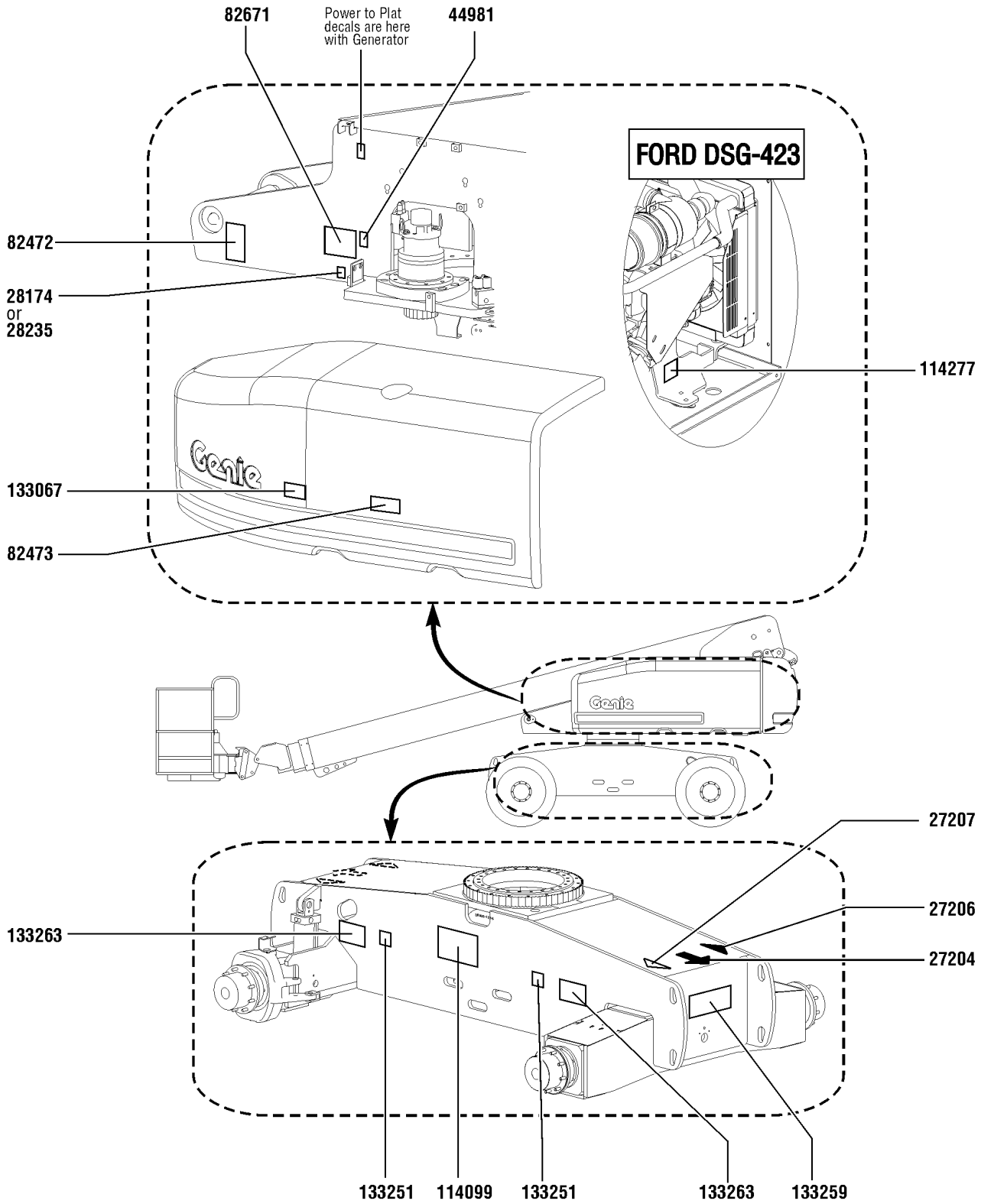
131.1 S-60TraX Decals with Symbol, Hydraulic Tank Side (ANSI & CE) (from SN 17350)



## 131.1 S-60TraX Decals with Symbol, Hydraulic Tank Side (ANSI &amp; CE) (from SN 17350)

Item	Part No.	Description	Qty.
1	27205	DECAL,ARROW YELLOW LRG 9".....	1
2	27206	DECAL,TRIANGLE,BLUE.....	1
3	27207	DECAL,TRIANGLE,YELLOW.....	1
4	28158	DECAL,LABEL,UNLEADED GAS ONLY..... <i>Option, fuel</i>	1
5	28159	DECAL,DIESEL..... <i>Option, fuel</i>	1
6	28160	DECAL,LABEL,LIQUID PROPANE..... <i>Option, LPG Tank</i>	1
7	52966	DECAL,COSMETIC,4 X 2..... <i>Option, drive</i>	1
8	52967	DECAL,COSMETIC,4 X 4..... <i>Option, drive</i>	1
9	82240	DECAL,LABEL,105 DB.....	1
10	82455	DECAL,GROUND CONTROL PANEL ***.....	1
11	82472	DECAL,WARNING,CRUSHING HAZARD.....	1
12	82481	DECAL,SYMBOL-BATTERY SAFETY.....	1
13	82487	DECAL,SYMBOL-READ THE MANUAL.....	1
14	114099	DECAL,LABEL,TRANSPORT DIAGRAM.....	1
15	114251	DECAL,LABEL,NO SMOKING,SYMB.....	1
16	133067	DECAL,DANGER,ELEC.HAZ.STAY CLR.....	1
17	133251	DECAL, WHEEL LOAD S60TRAX...2	
18	133263	DECAL,LABEL,TIPOVER,TRAX,SYMB.2	

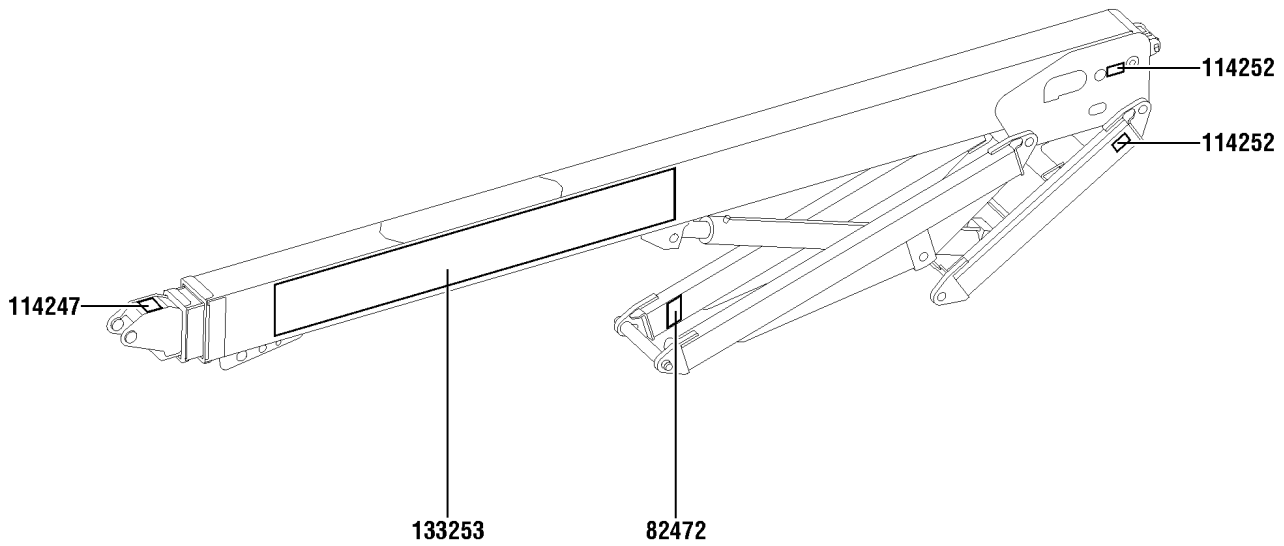
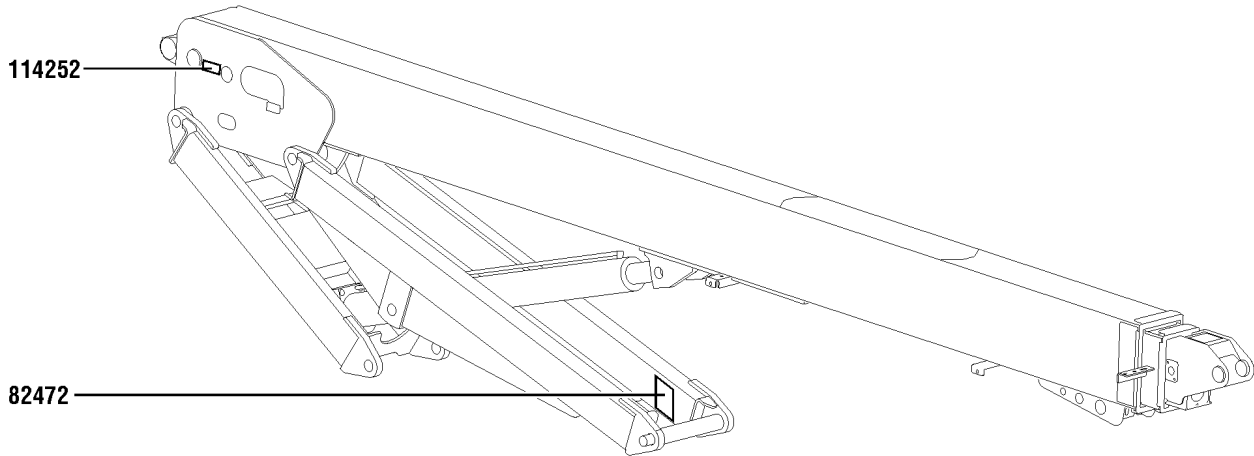
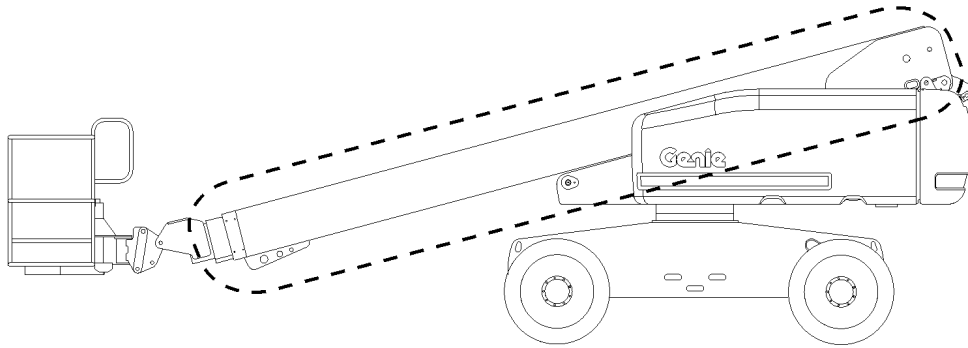
132.1 S-60TraX Decals with Symbol, Engine Side (ANSI & CE) (from SN 17350)



## 132.1 S-60TraX Decals with Symbol, Engine Side (ANSI &amp; CE) (from SN 17350)

Item	Part No.	Description	Qty.
1	27204	DECAL,ARROW BLUE.....	1
2	27206	DECAL,TRIANGLE,BLUE.....	1
3	27207	DECAL,TRIANGLE,YELLOW.....	1
4	28174	DECAL,POWER TO PLATFORM 230V.....	1
5	28235	DECAL,POWER TO PLATFORM 115V.....	1
6	44981	DECAL,LABEL,AIRLINE 110 PSI..... <i>Option, airline to plat</i>	1
7	82472	DECAL,WARNING,CRUSHING HAZARD.....	1
8	82473	DECAL,SYMBOL-COMP ACCESS.....	1
9	82671	DECAL,LABEL,WELD LINE INST,SYM..... <i>Option, weld cable line</i>	1
10	114099	DECAL,LABEL,TRANSPORT DIAGRAM.....	1
11	114277	DECAL,LABEL,BELT ROUTING DSG..... <i>Ford DSG-423</i>	1
12	133067	DECAL,DANGER,ELEC.HAZ.STAY CLR.....	1
13	133251	DECAL, WHEEL LOAD S60TRAX...2	
14	133259	DECAL,COSM, S60 TRAX.....	1
15	133263	DECAL,LABEL,TIPOVER,TRAX,SYMB.2	

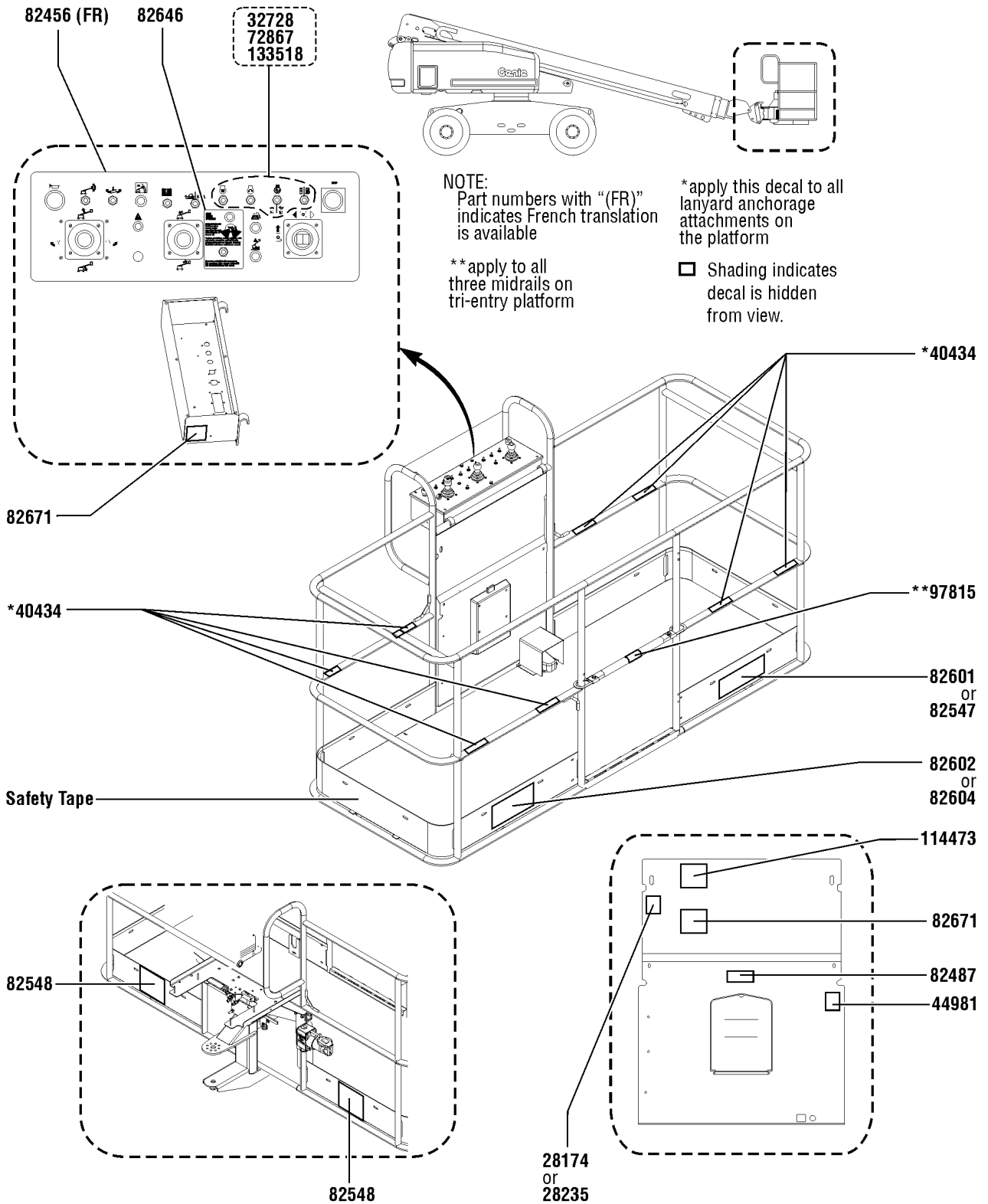
133.1 S-60TraX Decals with Symbol, Boom (ANSI & CE) (from SN 17350)



133.1 S-60TraX Decals with Symbol, Boom (ANSI & CE) (from SN 17350)

Item	Part No.	Description	Qty.
1	82472	DECAL,WARNING,CRUSHING HAZARD.....	2
2	114247	DECAL,LABEL,FALL HAZARD*** ....	1
3	114252	DECAL,LABEL,TIP OVER LMT SWTCH.....	3
4	133253	DECAL,COSM,GENIE S60 TRAX....	1

134.1 S-60TraX Decals with Symbol, Platform (ANSI & CE) (from SN 17350)

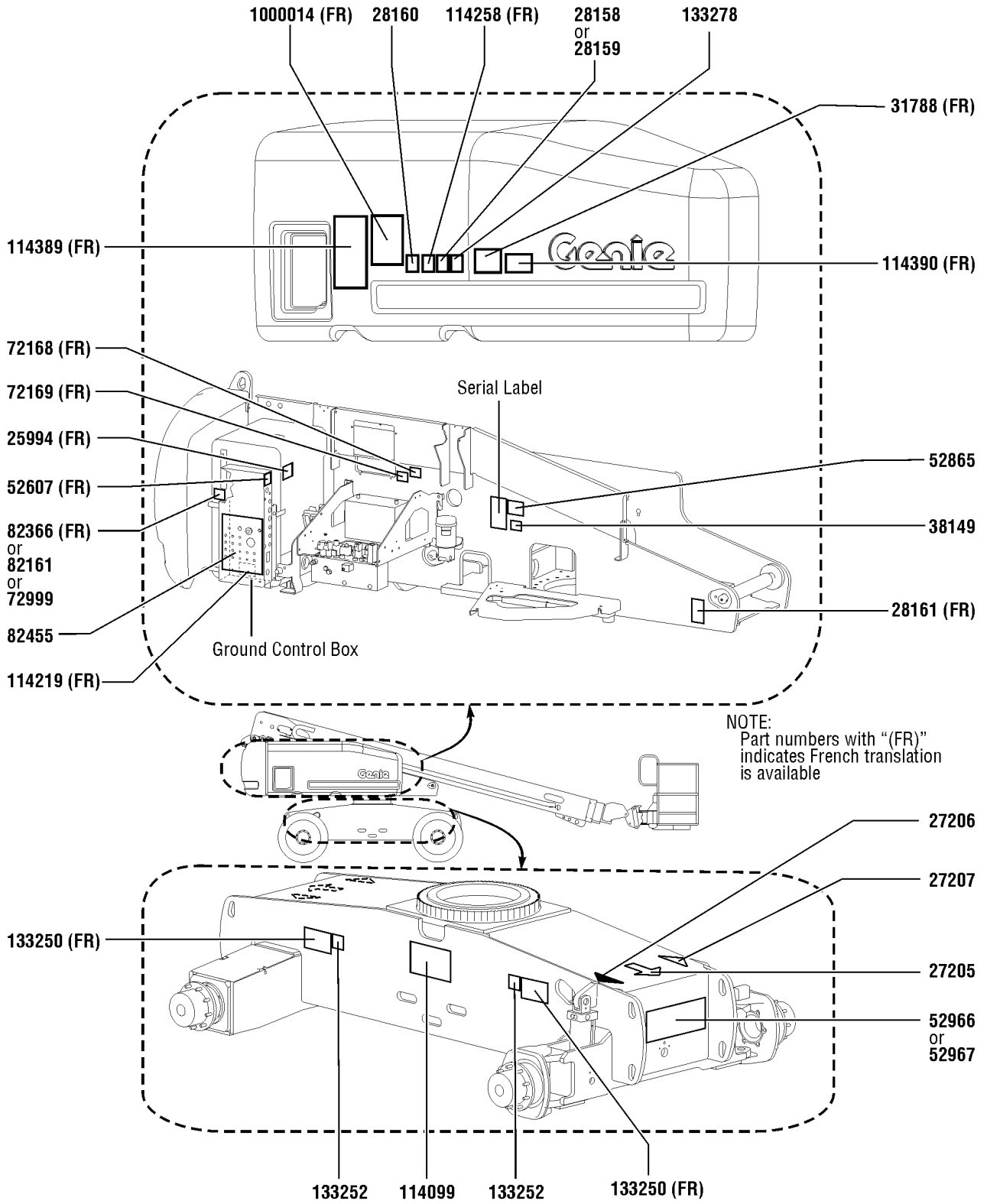




## 134.1 S-60TraX Decals with Symbol, Platform (ANSI &amp; CE) (from SN 17350)

Item	Part No.	Description	Qty.
1	28174	DECAL,POWER TO PLATFORM 230V.....	1
2	28235	DECAL,POWER TO PLATFORM 115V.....	1
3	32728	DECAL,OPTION GENERATOR*** <i>Option, generator</i>	1
4	40434	DECAL,LANYARD ANCHORAGE POINT.....	8
5	44981	DECAL,LABEL,AIRLINE 110 PSI..... <i>Option, airline to plat</i>	1
6	72867	DECAL,LABEL,LIGHTS*** ..... <i>Option, work lights or driving lights</i>	1
7	82456	DECAL,PLAT CONTROL PANEL,S60** .....	1
8	82487	DECAL,SYMBOL-READ THE MANUAL.....	1
9	82547	DECAL,DANGER,MAX LOAD 340 KG..... <i>Option, maximum platform capacity - 750 lbs</i>	1
10	82548	DECAL,WARN,CRUSH HAZARD PLAT.....	2
11	82601	DECAL,LABEL,MAX CAPACITY*** ..... <i>Maximum platform capacity - 500 lbs</i>	1
12	82602	DECAL,DANGER,MAX SIDE FRC,667N.....	1
13	82604	DECAL,DANGER,SIDE FRC 400N..... <i>CE</i>	1
14	82646	DECAL,DRIVE ENABLE PATCH.....	1
15	82671	DECAL,LABEL,WELD LINE INST,SYM..... <i>Option, weld cable line</i>	2
16	97815	DECAL,LABEL,LOWER MIDRAIL....	1
17	114473	DECAL,DANGER,TIPOVER,TILT,SYM.	1
18	133518	DECAL, PATCH, GEN,ALC-500..... <i>Opion, generator/welder</i>	1

135.1 S-65TraX Decals with Word, Hydraulic Tank Side (ANSI & Australia) (from SN 17350)

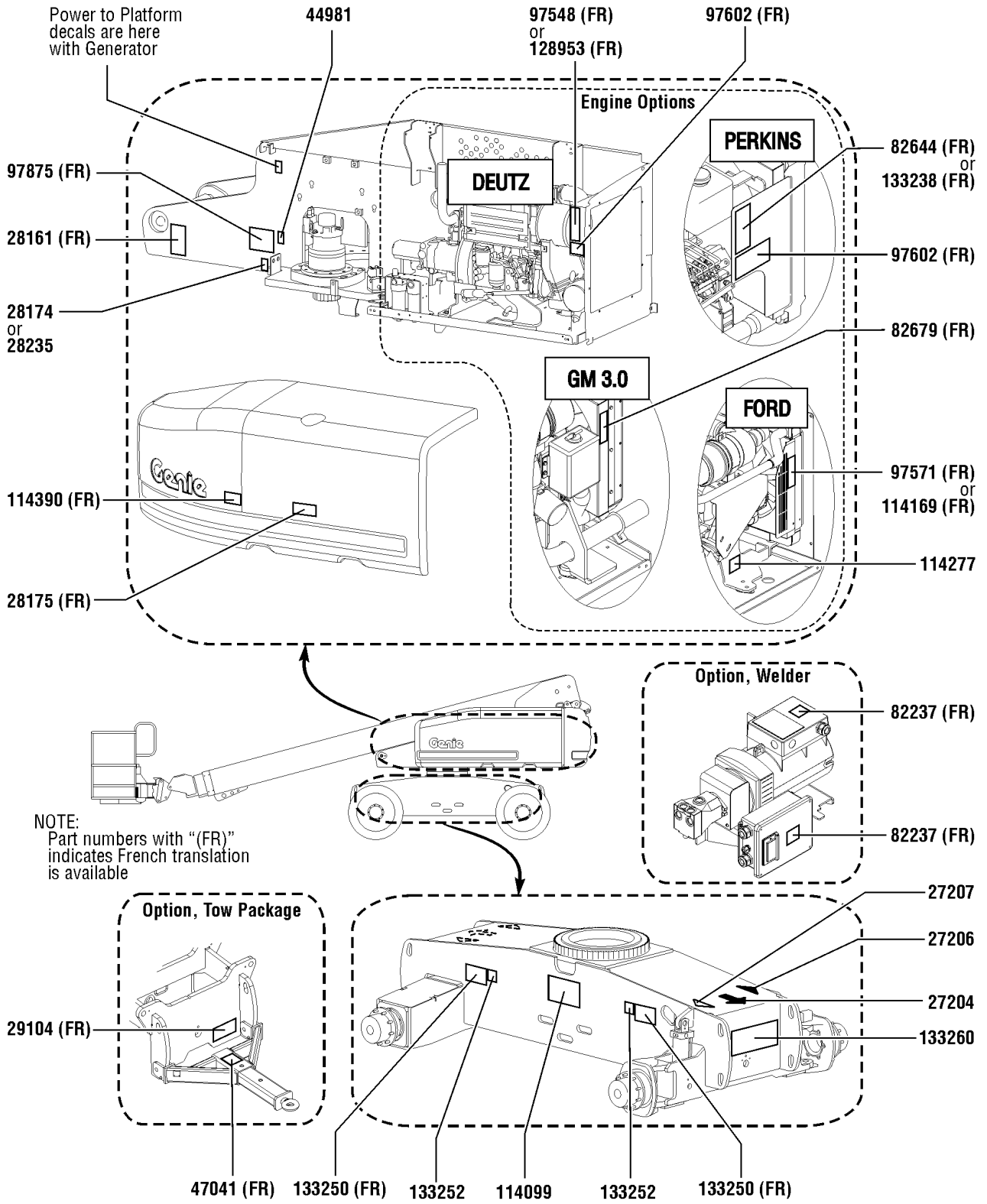


135.1 S-65TraX Decals with Word, Hydraulic Tank Side (ANSI & Australia) (from SN 17350)

Item	Part No.	Description	Qty.	Item	Part No.	Description	Qty.
1	25994	DECAL,NOTICE,SHUTOFF VALVES.....	1	22	114219	DECAL,LABEL,RELAYS,S60&65.....	1
2	27205	DECAL,ARROW YELLOW LRG 9".....	1	23	114258	DECAL,DANGER,NO SMOKING.....	1
3	27206	DECAL,TRIANGLE,BLUE.....	1	24	114389	DECAL,DANGER,GENERAL SAFETY.....	1
4	27207	DECAL,TRIANGLE,YELLOW.....	1	25	114390	DECAL,DANGER,ELECT HAZARD***.....	1
5	28158	DECAL,LABEL,UNLEADED GAS ONLY..... <i>Option, Fuel</i>	1	26	133250	DECAL,DANGER TIP OVER TRAX.....	2
6	28159	DECAL,DIESEL..... <i>Option, Fuel</i>	1	27	133252	DECAL, WHEEL LOAD S65 TRAX.....	2
7	28160	DECAL,LABEL,LIQUID PROPANE..... <i>Option, LPG tank</i>	1	28	133278	DECAL,LOW/ULTRA LOW SULFR FUEL..... <i>Diesel models only</i>	1
8	28161	DECAL,WARN,CRUSH HAZARD HAND.....	1	29	1000014	DECAL,NOTICE,OPER INST.S60....	1
9	31788	DECAL,DANGER,BATTERY SAFETY***.....	1				
10	38149	DECAL,LABEL,PATENTS..... <i>(US Only)</i>	1				
11	52607	DECAL,LABEL,TEST***..... <i>(Ford Only)</i>	1				
12	52865	DECAL,ANNUAL INSP***..... <i>(ANSI Only)</i>	1				
13	52966	DECAL,COSMETIC,4 X 2..... <i>Option, Drive</i>	1				
14	52967	DECAL,COSMETIC,4 X 4..... <i>Option, Drive</i>	1				
15	72168	DECAL,LABEL,STARTER BATTERY..... <i>Option, Dual battery</i>	1				
16	72169	DECAL,LABEL,CONTROLS BATTERY..... <i>Option, Dual battery</i>	1				
17	72999	DECAL,LABEL,PETRO CANADA***..... <i>Option, hydraulic oil</i>	1				
18	82161	DECAL,LABEL,UCON HYDROLUBE..... <i>Option, hydraulic oil</i>	1				
19	82366	DECAL,CHEVRON RANDO HD..... <i>Option, hydraulic oil</i>	1				
20	82455	DECAL,GROUND CONTROL PANEL***.....	1				
21	114099	DECAL,LABEL,TRANSPORT DIAGRAM.....	1				



136.1 S-65TraX Decals with Word, Engine Side (ANSI & Australia) (from SN 17350)

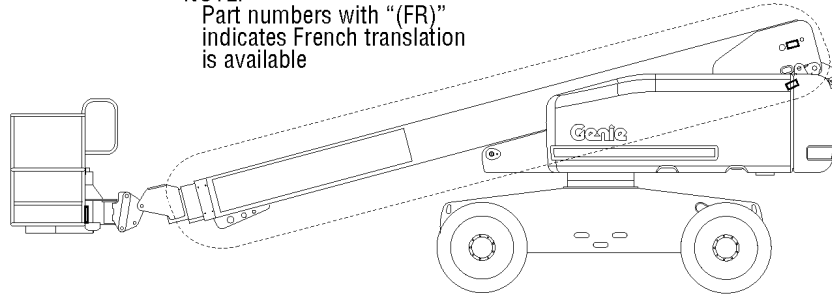


## 136.1 S-65TraX Decals with Word, Engine Side (ANSI &amp; Australia) (from SN 17350)

Item	Part No.	Description	Qty.	Item	Part No.	Description	Qty.
1	27204	DECAL,ARROW BLUE.....	1	21	114390	DECAL,DANGER,ELECT HAZARD***.....	1
2	27206	DECAL,TRIANGLE,BLUE.....	1	22	128953	DECAL,ENGINE SPEC,DEUTZ,TD2011.....	1
3	27207	DECAL,TRIANGLE,YELLOW.....	1			<i>TD2011L03i - turbo deutz only from SN S6010-20379</i>	
4	28161	DECAL,WARN,CRUSH HAZARD HAND.....	1	23	133238	DECAL,ENGINE SPEC,PERKINS***.....	1
5	28174	DECAL,POWER TO PLATFORM 230V.....	1			<i>404D-22 from SN S6008-19607</i>	
6	28175	DECAL,COMPARTMENT ACCESS.....	1	24	133250	DECAL,DANGER TIP OVER TRAX.....	2
7	28235	DECAL,POWER TO PLATFORM 115V.....	1	25	133252	DECAL, WHEEL LOAD S65 TRAX.....	2
8	29104	DECAL,TOWING INSTRUCTIONS.....	1	26	133260	DECAL,COSM, S65 TRAX.....	1
		<i>Option, Tow Package</i>					
9	44981	DECAL,LABEL,AIRLINE 110 PSI.....	1				
		<i>Option, airline to platform</i>					
10	47041	DECAL,CAUTION,TOWING SPEED.....	1				
		<i>Option, Tow Package</i>					
11	82237	DECAL,DANGER,HIGH VOLTAGE.....	2				
		<i>Option, Welder</i>					
12	82644	DECAL, ENGINE SPEC, PERKINS.....	1				
		<i>404C-22 from SN S6004-9694 to S6008-19606</i>					
13	82679	DECAL,NOTICE,GM 3.0 ENG SPEC.....	1				
14	97548	DECAL,ENGINE SPEC,DEUTZ 2011.....	1				
		<i>D2011L03i</i>					
15	97571	DECAL,NOTICE,FORD ENG SPECS T2.....	1				
		<i>LRG -425 to SN S6006-14053</i>					
16	97602	DECAL,EXPLOSION HAZARD.....	1				
		<i>Diesel engines</i>					
17	97875	DECAL,WARN.WELD LINE INST.WORD.....	1				
		<i>Option, Weld Cable Line</i>					
18	114099	DECAL,LABEL,TRANSPORT DIAGRAM.....	1				
19	114169	DECAL,FORD ENGINE SPEC DSG423.....	1				
		<i>Ford DSG -423 from SN S6006-14054</i>					
20	114277	DECAL,LABEL,BELT ROUTING DSG.....	1				
		<i>Ford DSG-423</i>					

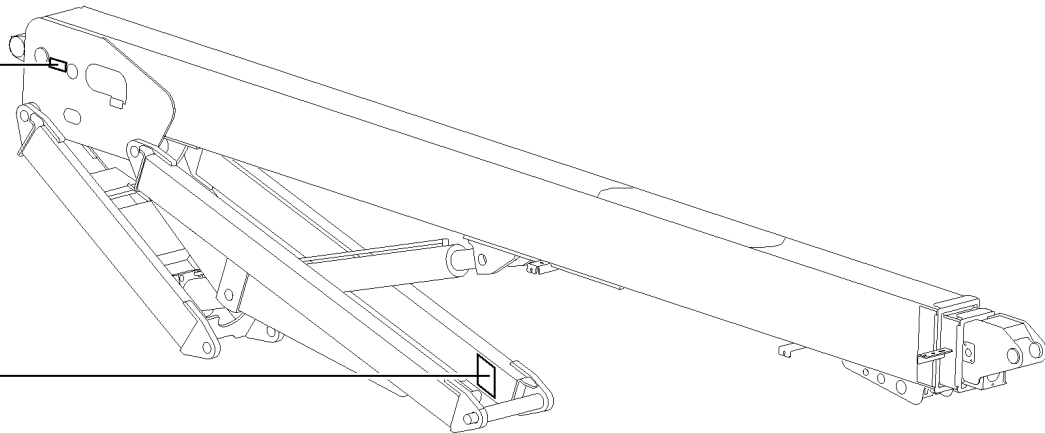
137.1 S-65TraX Decals with Word, Boom (ANSI & Australia) (from SN 17350)

NOTE:  
Part numbers with "(FR)"  
indicates French translation  
is available



31060 (FR)

28161 (FR)



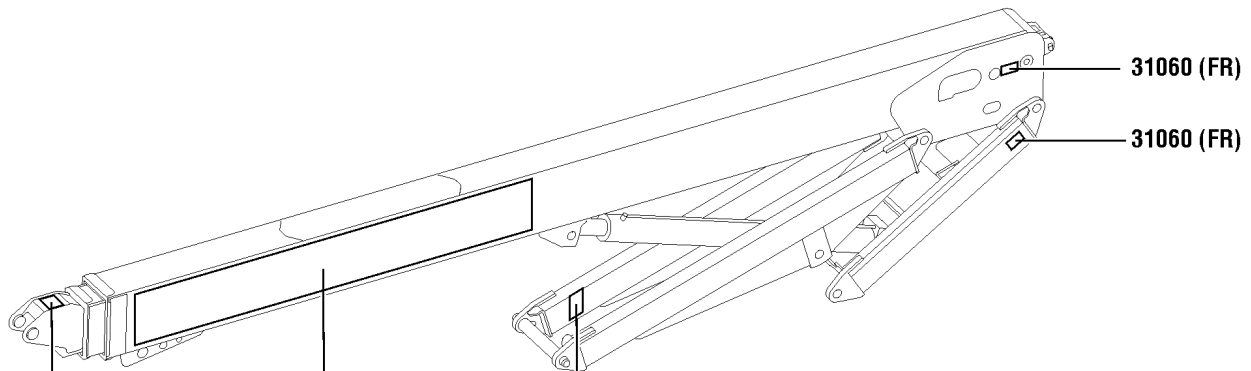
31060 (FR)

31060 (FR)

28181 (FR)

133254

28161 (FR)

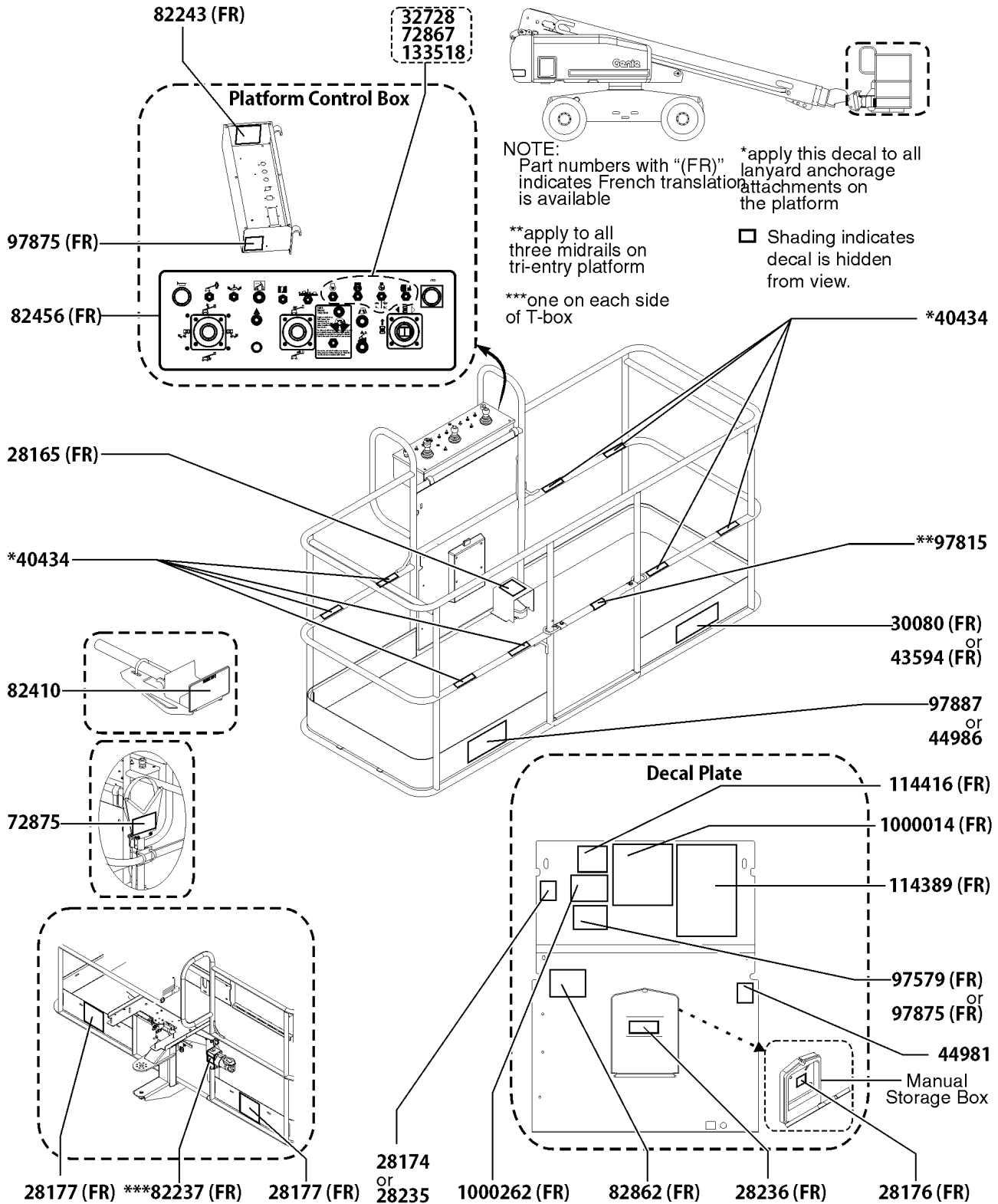


137.1 S-65TraX Decals with Word, Boom (ANSI & Australia) (from SN 17350)

Item	Part No.	Description	Qty.
1	28161	DECAL,WARN,CRUSH HAZARD HAND.....	2
2	28181	DECAL,WARN,FALL HAZARD.....	1
3	31060	DECAL,DANGER DO NOT ALTER SWTC.....	3
4	133254	DECAL, COSM,GENIE S65 TRAX...	1



138.1 S-65TraX Decals with Word, Platform (ANSI & Australia) (from SN 17350)



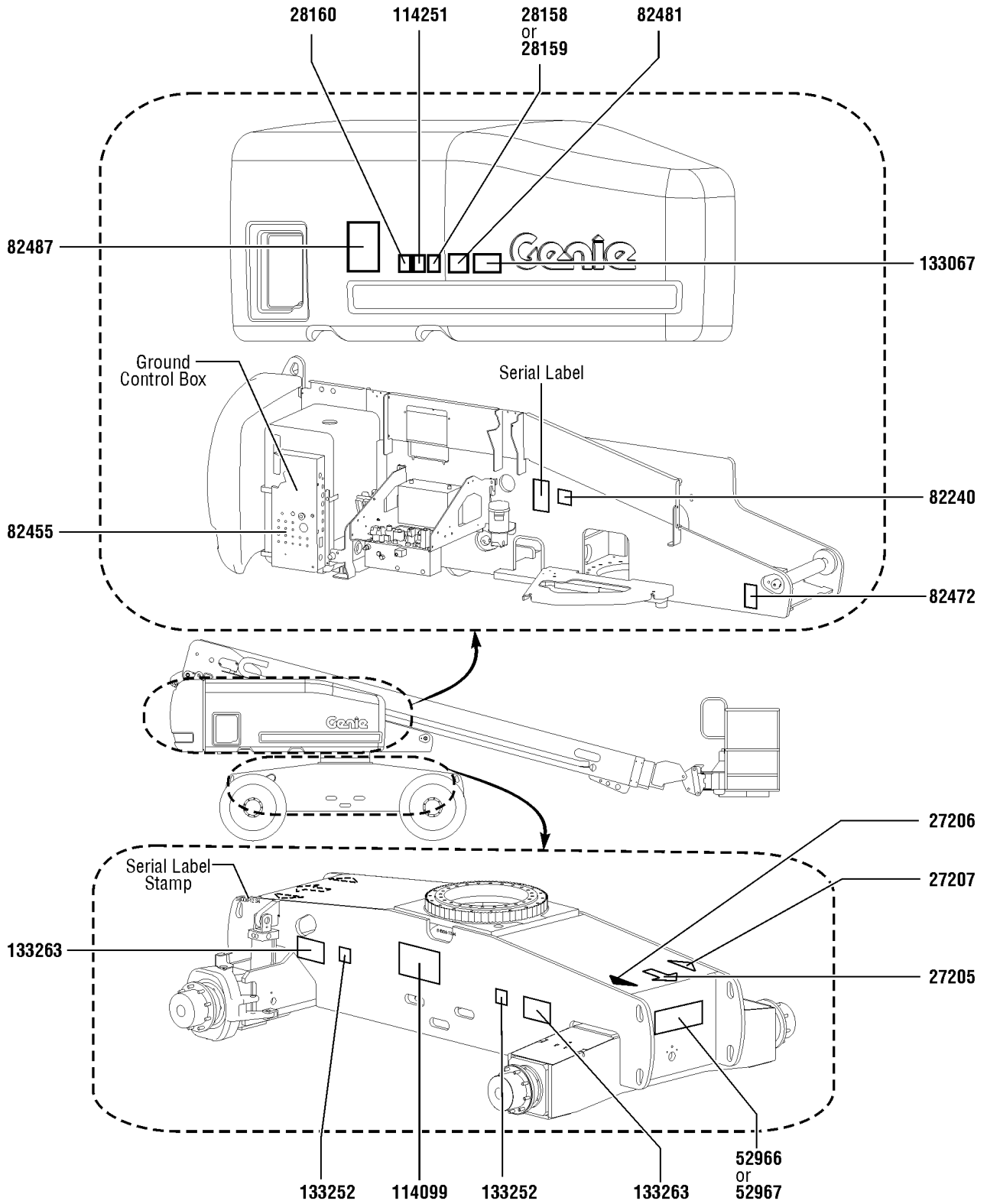


138.1 S-65TraX Decals with Word, Platform (ANSI & Australia) (from SN 17350)

Item	Part No.	Description	Qty.	Item	Part No.	Description	Qty.
1	28165	DECAL,INSTRUCT,FOOTSWITCH OPER.....	1	22	97875	DECAL,WARN.WELD LINE INST.WORD.....	2
2	28174	DECAL,POWER TO PLATFORM 230V.....	1			<i>Option, Weld cable line</i>	
3	28176	DECAL,LABEL,MANUAL NOT HERE.....	1	23	97887	DECAL,INSTR,MAX SIDE FRC,ANSI.....	1
4	28177	DECAL,WARN,CRUSH HAZARD PLAT.....	2			<i>ANSI</i>	
5	28235	DECAL,POWER TO PLATFORM 115V.....	1	24	114389	DECAL,DANGER,GENERAL SAFETY.....	1
6	28236	DECAL,WARN,IMPROPER OPERATION.....	1	25	114416	DECAL,DANGER,TIPOVER,TILT....	1
7	30080	DECAL,NOTICE,MAX LOAD 500 LBS.....	1	26	133518	DECAL, PATCH, GEN,ALC-500.....	1
		<i>500 lbs</i>				<i>Option, Generator / Welder</i>	
8	32728	DECAL,OPTION GENERATOR***... <i>Option, Generator</i>	1	27	1000014	DECAL,NOTICE,OPER INST.S60....	1
9	40434	DECAL,LANYARD ANCHORAGE POINT.....	8	28	1000262	DECAL,DANGER,TIP OVER,PLAT.....	1
10	43594	DECAL,NOTICE,MAX LOAD 750 LBS.....	1			<i>Use on S-60 HC and S-60s with 750 lb capacity option</i>	
		<i>Option, 750 lbs</i>					
11	44981	DECAL,LABEL,AIRLINE 110 PSI.... <i>Option, airline to platform</i>	1				
12	44986	DECAL,INSTR,SIDE FRC/WIND,AUS.....	1				
		<i>Australia</i>					
13	72867	DECAL,LABEL,LIGHTS*** ..... <i>Option, Work Lights or Driving Lights</i>	1				
14	72875	DECAL,WARNING,PIPE CRADLE,BOOM.....	2				
		<i>Option, Pipe Cradle</i>					
15	82237	DECAL,DANGER,HIGH VOLTAGE.....	2				
		<i>Option, Welder</i>					
16	82243	DECAL FAULT CODE.....	1				
17	82410	DECAL,WARNING,PANEL CRADLE.....	2				
		<i>Option, Panel Cradle</i>					
18	82456	DECAL,PLAT CONTROL PANEL,S60**.....	1				
19	82862	DECAL,FIRE EXTINGUISHER..... <i>Option, Welder</i>	1				
20	97579	DECAL,DANGER,TIP-OVER,WELDER**. <i>Option, Welder</i>	1				
21	97815	DECAL,LABEL,LOWER MIDRAIL....	1				



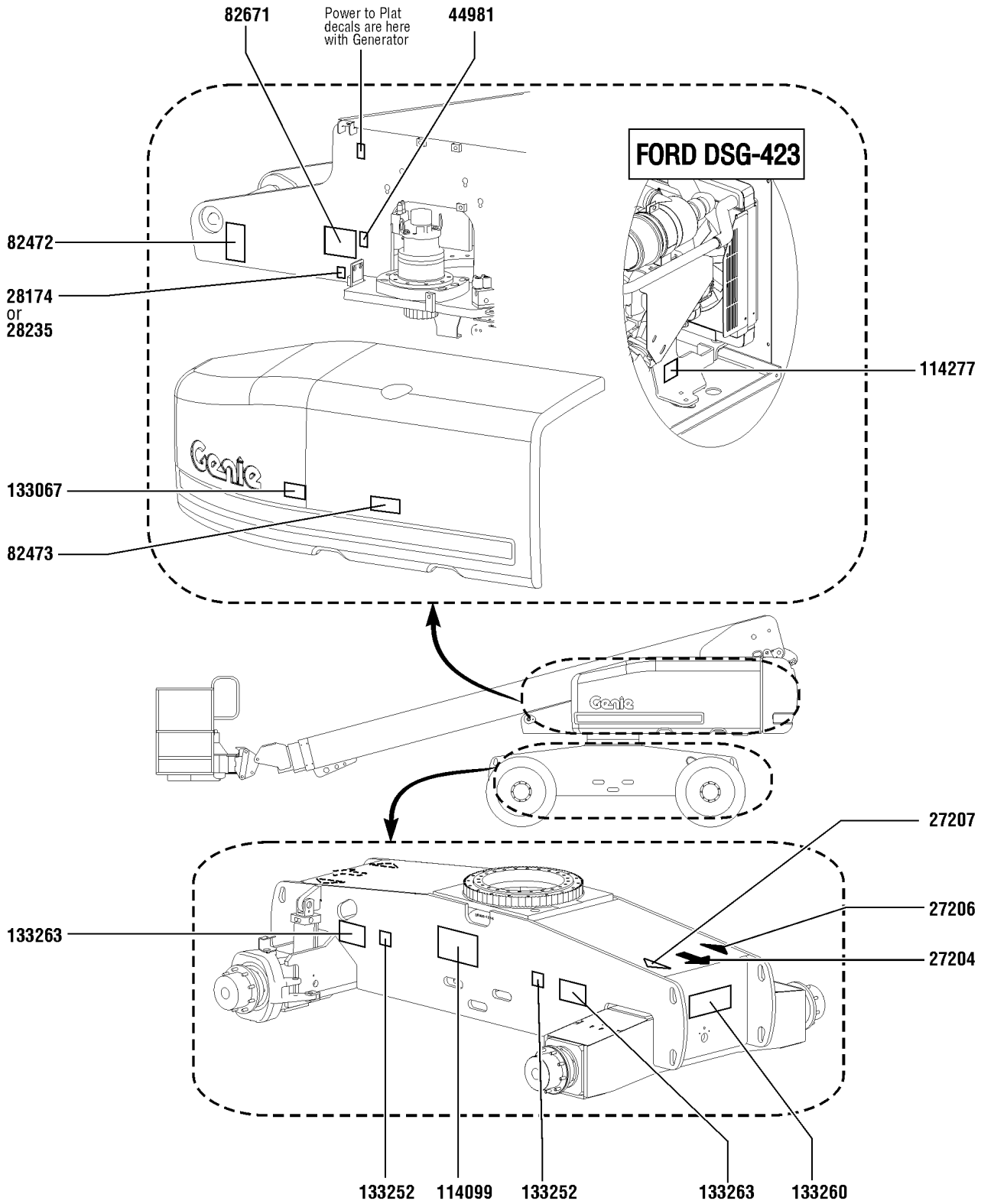
139.1 S-65TraX Decals with Symbol, Hydraulic Tank Side (ANSI & CE) (from SN 17350)



## 139.1 S-65TraX Decals with Symbol, Hydraulic Tank Side (ANSI &amp; CE) (from SN 17350)

Item	Part No.	Description	Qty.
1	27205	DECAL,ARROW YELLOW LRG 9".....	1
2	27206	DECAL,TRIANGLE,BLUE.....	1
3	27207	DECAL,TRIANGLE,YELLOW.....	1
4	28158	DECAL,LABEL,UNLEADED GAS ONLY..... <i>Option, fuel</i>	1
5	28159	DECAL,DIESEL..... <i>Option, fuel</i>	1
6	28160	DECAL,LABEL,LIQUID PROPANE..... <i>Option, LPG Tank</i>	1
7	52966	DECAL,COSMETIC,4 X 2..... <i>Option, drive</i>	1
8	52967	DECAL,COSMETIC,4 X 4..... <i>Option, drive</i>	1
9	82240	DECAL,LABEL,105 DB.....	1
10	82455	DECAL,GROUND CONTROL PANEL ***.....	1
11	82472	DECAL,WARNING,CRUSHING HAZARD.....	1
12	82481	DECAL,SYMBOL-BATTERY SAFETY.....	1
13	82487	DECAL,SYMBOL-READ THE MANUAL.....	1
14	114099	DECAL,LABEL,TRANSPORT DIAGRAM.....	1
15	114251	DECAL,LABEL,NO SMOKING,SYMB.....	1
16	133067	DECAL,DANGER,ELEC.HAZ.STAY CLR.....	1
17	133252	DECAL, WHEEL LOAD S65 TRAX.....	2
18	133263	DECAL,LABEL,TIPOVER,TRAX,SYMB.2	2

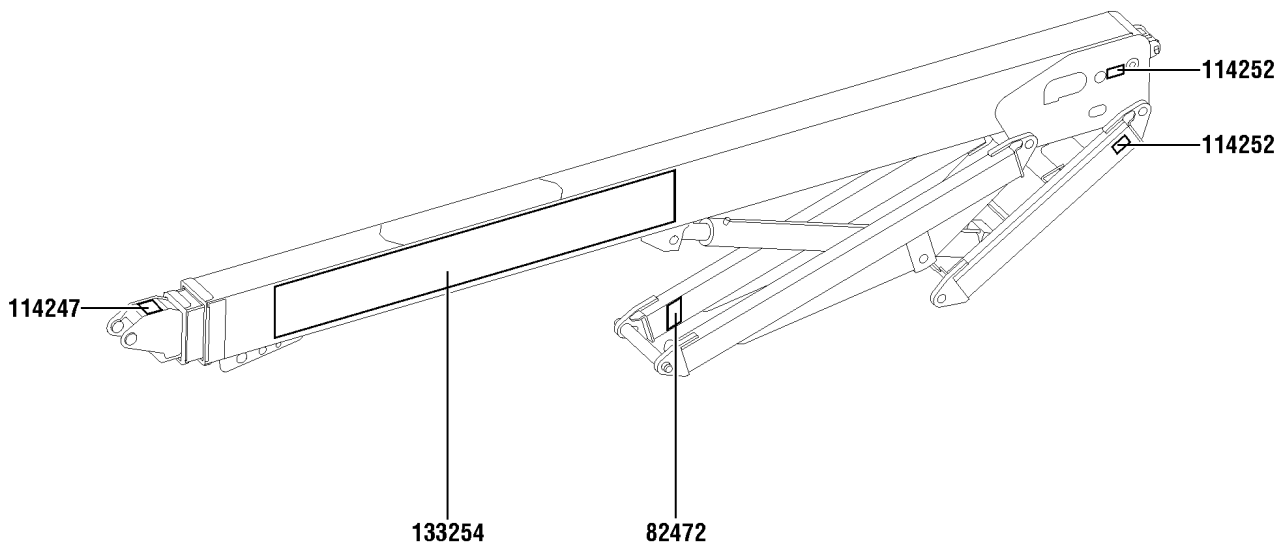
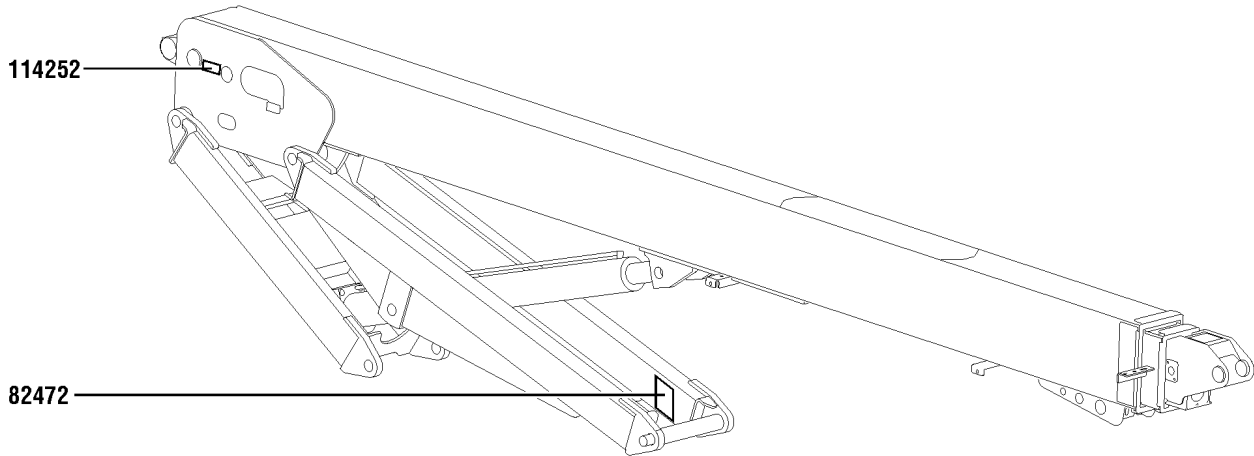
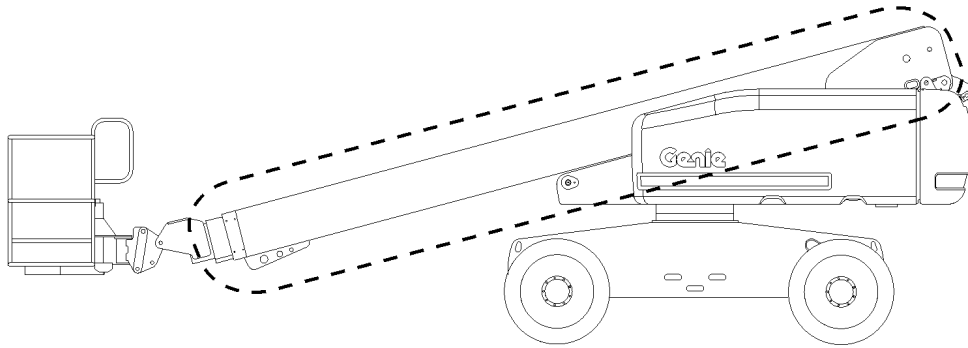
140.1 S-65TraX Decals with Symbol, Engine Side (ANSI & CE) (from SN 17350)



## 140.1 S-65TraX Decals with Symbol, Engine Side (ANSI &amp; CE) (from SN 17350)

Item	Part No.	Description	Qty.
1	27204	DECAL,ARROW BLUE.....	1
2	27206	DECAL,TRIANGLE,BLUE.....	1
3	27207	DECAL,TRIANGLE,YELLOW.....	1
4	28174	DECAL,POWER TO PLATFORM 230V.....	1
5	28235	DECAL,POWER TO PLATFORM 115V.....	1
6	44981	DECAL,LABEL,AIRLINE 110 PSI..... <i>Option, airline to plat</i>	1
7	82472	DECAL,WARNING,CRUSHING HAZARD.....	1
8	82473	DECAL,SYMBOL-COMP ACCESS.....	1
9	82671	DECAL,LABEL,WELD LINE INST,SYM..... <i>Option, weld cable line</i>	1
10	114099	DECAL,LABEL,TRANSPORT DIAGRAM.....	1
11	114277	DECAL,LABEL,BELT ROUTING DSG..... <i>Ford DSG-423</i>	1
12	133067	DECAL,DANGER,ELEC.HAZ.STAY CLR.....	1
13	133252	DECAL, WHEEL LOAD S65 TRAX.....	2
14	133260	DECAL,COSM, S65 TRAX.....	1
15	133263	DECAL,LABEL,TIPOVER,TRAX,SYMB.2	

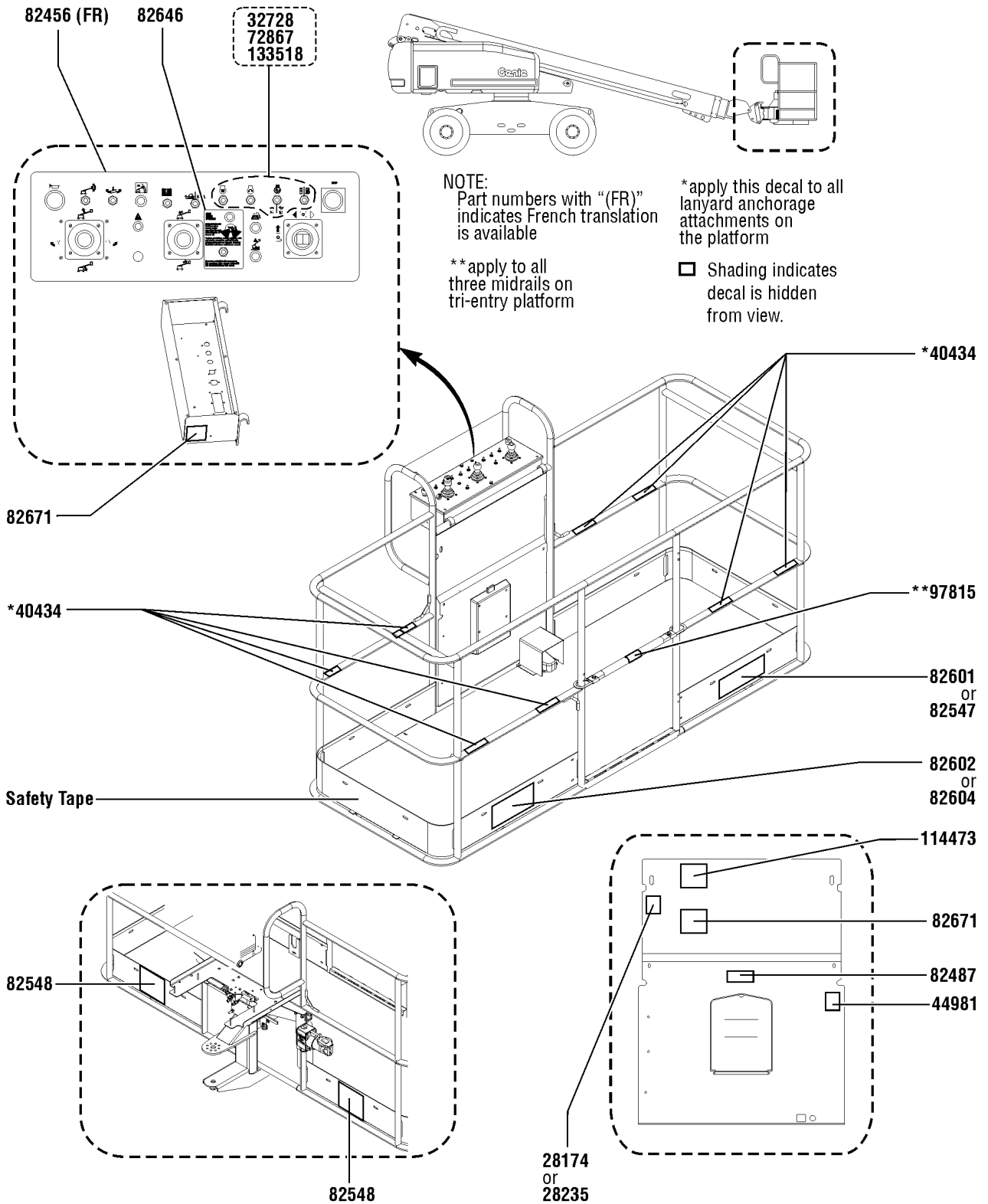
141.1 S-65TraX Decals with Symbol, Boom (ANSI & CE) (from SN 17350)



141.1 S-65TraX Decals with Symbol, Boom (ANSI & CE) (from SN 17350)

Item	Part No.	Description	Qty.
1	82472	DECAL,WARNING,CRUSHING HAZARD.....	2
2	114247	DECAL,LABEL,FALL HAZARD*** ....	1
3	114252	DECAL,LABEL,TIP OVER LMT SWTCH.....	3
4	133254	DECAL, COSM,GENIE S65 TRAX...	1

142.1 S-65TraX Decals with Symbol, Platform (ANSI & CE) (from SN 17350)

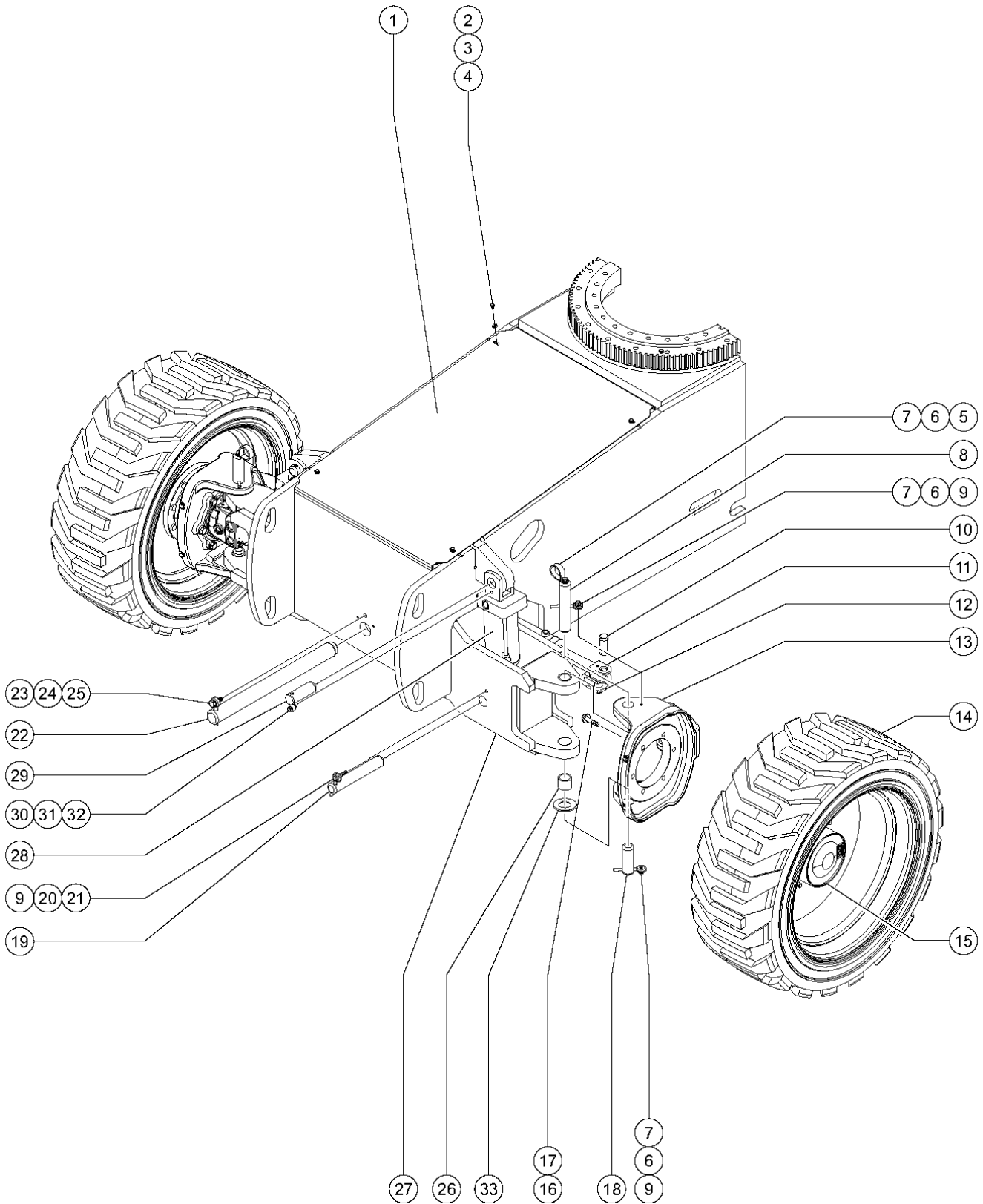




## 142.1 S-65TraX Decals with Symbol, Platform (ANSI &amp; CE) (from SN 17350)

Item	Part No.	Description	Qty.
1	28174	DECAL,POWER TO PLATFORM 230V.....	1
2	28235	DECAL,POWER TO PLATFORM 115V.....	1
3	32728	DECAL,OPTION GENERATOR*** <i>Option, generator</i>	1
4	40434	DECAL,LANYARD ANCHORAGE POINT.....	8
5	44981	DECAL,LABEL,AIRLINE 110 PSI..... <i>Option, airline to plat</i>	1
6	72867	DECAL,LABEL,LIGHTS*** ..... <i>Option, work lights or driving lights</i>	1
7	82456	DECAL,PLAT CONTROL PANEL,S60** .....	1
8	82487	DECAL,SYMBOL-READ THE MANUAL.....	1
9	82547	DECAL,DANGER,MAX LOAD 340 KG..... <i>Option, maximum platform capacity - 750 lbs</i>	1
10	82548	DECAL,WARN,CRUSH HAZARD PLAT.....	2
11	82601	DECAL,LABEL,MAX CAPACITY*** ..... <i>Maximum platform capacity - 500 lbs</i>	1
12	82602	DECAL,DANGER,MAX SIDE FRC,667N.....	1
13	82604	DECAL,DANGER,SIDE FRC 400N..... <i>CE</i>	1
14	82646	DECAL,DRIVE ENABLE PATCH.....	1
15	82671	DECAL,LABEL,WELD LINE INST,SYM..... <i>Option, weld cable line</i>	2
16	97815	DECAL,LABEL,LOWER MIDRAIL....	1
17	114473	DECAL,DANGER,TIPOVER,TILT,SYM.	1
18	133518	DECAL, PATCH, GEN,ALC-500..... <i>Opion, generator/welder</i>	1

201.1 Steer End (to SN 10344)



201.1 Steer End (to SN 10344)

Item	Part No.	Description	Qty.	Item	Part No.	Description	Qty.
1	94507	COVER, WITH DECALS, STEER END*		14D	94534	WHEEL & TIRE ASSY,RH,NM <i>RT, Air-filled, Non-marking, right</i>	
2	7339	SCREW,HHC,1/4-20 X .5		14D	94535	WHEEL & TIRE ASSY,LH NM <i>RT, Air-filled, Non-marking, left</i>	
3	6638	WASHER,FLAT,USS,1/4"Y		--	88727	WHEEL 24.5X11.75-9 HOLE <i>for 94534, 94535</i>	
4	56912	SPRING CLIP,1/4-20,.025-.15X.5		--	94536	TIRE,355/55D625,14 PLY,NM <i>for 94534, 94535</i>	
5	32339	CLAMP,1.75,#28 X 3/8,RUB CUSH* .....2 <i>4WD models</i>	2	14E	106647	TIRE & WHEEL ASSY,RH,FOAM,NM <i>RT, Foam-filled, Non-marking, right</i>	
6	8255	SCREW,HHC,3/8-16 X .75.....2 <i>4WD models</i>	2	14E	106648	TIRE & WHEEL ASSY,LH,FOAM,NM <i>RT, Foam-filled, Non-marking, left</i>	
7	6021	WASHER,LOCK,.375.....2 <i>4WD models</i>	2	--	77674	NUT,HEX,FLANGE 5/8-18,GRD 8 ZI.....18	
8	81599	PIN,1.50DIA X 4.38LG,1HOLE.....2 <i>2WD models</i>	2	15A	88883	HUB,2WD,FRONT*** .....2	
8	81895	PIN,1.50DIA X 7.88LG,THREADED...2 <i>4WD models</i>	2	--	102126	SEAL KIT,DRIVE HUB (88887)***	
9	45226	ROD END,.375 X 3.69		--	227986	V-RING 100, RUBBER SEAL	
10	19440	PIN,CLEVIS,1 X 2.5 LG.....6	6	--	227987	RING,OIL SEAL, 95 X 120 X 12	
--	74389	RUE RING 1.00		--	77674	NUT,HEX,FLANGE 5/8-18,GRD 8 ZI.....18	
11	59460	CYLINDER,STEERING*** .....2	2	--	94891	COVER,HUB (88883)	
--	89294	SEAL KIT CYLINDER (59460)		--	94892	SHIM,HUB (88883)	
12	77643	TIE ROD WELDMENT,S60.....1	1	--	94893	BEARING,OUTER (88883)	
13	77726	YOKE ASSEMBLY W/BEARINGS,LH.....1	1	--	94894	BEARING,INNER (88883)	
--	25817	BEARING,1.00IDX1.25ODX1.00L		15B	88884	MOTOR,PISTON,30CC,4WD*** <i>sold seperately</i>	
--	77725	YOKE ASSEMBLY W/BEARINGS,RH		--	102155	BEARING,BALL DRIVE SHAFT <i>for 88884</i>	
14A	88729	TIRE & WHEEL ASSY,AIR,RH*** .....1 <i>RT, Air-filled, right</i>	1	--	102158	O-RING,.103 X 4.737,VITON, 75D <i>for 88884</i>	
14A	88730	TIRE & WHEEL ASSY,AIR,LH.....1 <i>RT, Air-filled, left</i>	1	--	102159	SHAFT,15 TOOTH <i>for 88884</i>	
--	88727	WHEEL 24.5X11.75-9 HOLE <i>for 88729, 88730</i>		--	106098	SEAL KIT,MOTOR,LC/KC*** <i>for 88884</i>	
--	88728	TIRE,355/55D625,OUTRIGGER,LP <i>for 88729, 88730</i>		--	27067	SEAL,SHAFT-SUNDSTRAND*** <i>for 88884</i>	
14B	77790	TIRE & WHEEL ASSY RH,FF <i>RT, Foam-filled, right</i>		--	72290	SNAP RING(M46 UNITS)* <i>for 88884</i>	
14B	77791	TIRE & WHEEL ASSY,LH FF*** <i>RT, Foam-filled, left</i>		15C	88886	WHEEL DRIVE 56:1 4WD*** .....2 <i>shown; 4WD models</i>	
14C	94332	TIRE & WHEEL ASSY,TURF SPEC*** <i>Turf, Air-filled</i>		--	102126	SEAL KIT,DRIVE HUB (88887)*** <i>for 88886. Lip seal comes in seal kit, not available individually.</i>	
--	81164	TIRE,41/18LL X 22.5,14PR,TURF* <i>for 94332</i>		--	102131	DISCONNECT KIT (88887) <i>for 88886. Comes with disconnect rod, cover, and mounting screws.</i>	
--	94333	WHEEL,22.5X14.00*** <i>for 94332</i>					



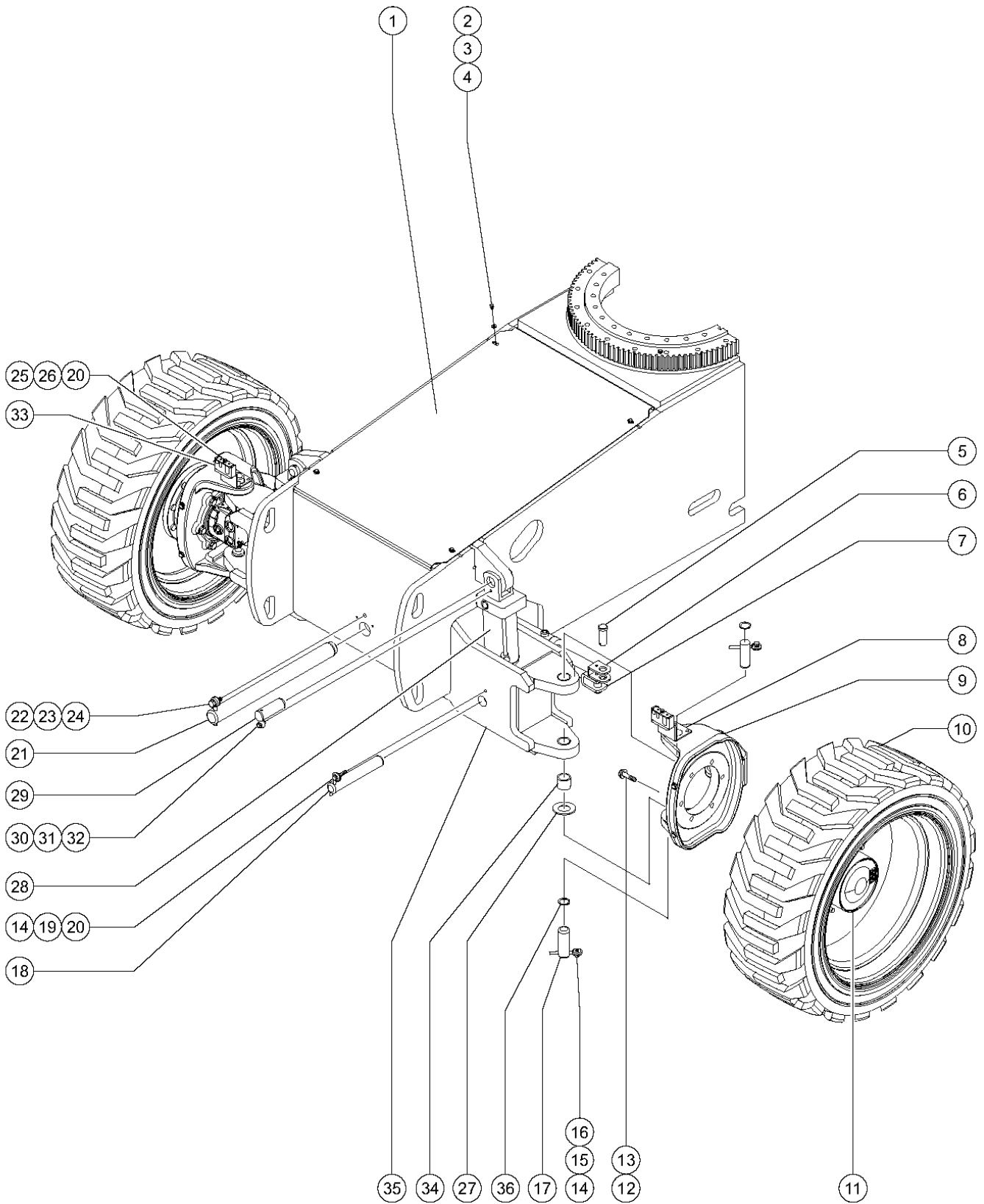
201.1 Steer End (to SN 10344)  
(continued)

Item	Part No.	Description	Qty.
--	102163	RING,RETAINING*** <i>for 88886</i>	
--	102167	SHAFT,INPUT DRIVE HUB (88887) <i>for 88886</i>	
--	215340	LOCKRING, RR <i>for 88886</i>	
--	215642	BRAKE KIT (88886)*** <i>for 88886</i>	
16	73455	SCREW,HHC,5/8-11 X 2.25 GR8.....	12
17	13064	WASHER,FLAT,.625 HARDENED.....	12
18	81599	PIN,1.50DIAX4.38LG,1HOLE	
19	77880	PIN,1.50DIAX9.38LG,1HOLE	
20	5224	SCREW,HHC,3/8-16 X 2	
21	4828	NUT,NYLOCK,3/8-16	
22	77610	PIN,2.00DIAX23.13LG,CHAMFER	
23	30418	ROD END,.50 X 4	
24	8177	SCREW,HHC,1/2-13 X 1.5	
25	6033	WASHER,LOCK,0.5"	
26	45071	BEARING,1.5IDX1.75ODX1.5L.....	4
27	119146	AXLE ASSEMBLY,S60 FRONT..... <i>Includes item 26</i>	1
27	42014	BEARING,2.00IDX2.25ODX2.00L....	2
28	110578	CYLINDER,OSCILLATE,S60.....	2
--	33428	VALVE,COUNTERBALANCE	
--	89295	SEAL KIT CYLINDER (63189)	
29	110221	PIN,GROOVE/HOLE,1.50 DIAX4.375.....	2
30	25284	ROD END,.375 X 2.25***	
31	6021	WASHER,LOCK,.375	
32	6175	SCREW,HHC,3/8-16 X 1	
33	45074	WASHER,THRUST,1.5 X 3.5 X .187.....	2-inches



*This Page Intentionally Left Blank*

201.2 Steer End (from SN 10345)



201.2 Steer End (from SN 10345)

Item	Part No.	Description	Qty.	Item	Part No.	Description	Qty.
1	94507	COVER, WITH DECALS, STEER END*		10E	94534	WHEEL & TIRE ASSY,RH,NM <i>RT, Air-filled, Non-marking, right</i>	
2	7339	SCREW,HHC,1/4-20 X .5		10E	94535	WHEEL & TIRE ASSY,LH NM <i>RT, Air-filled, Non-marking, left</i>	
3	6638	WASHER,FLAT,USS,1/4"Y		--	88727	WHEEL 24.5X11.75-9 HOLE <i>for 94534, 94535</i>	
4	56912	SPRING CLIP,1/4-20,.025-.15X.5		--	94536	TIRE,355/55D625,14 PLY,NM <i>for 94534, 94535</i>	
5	19440	PIN,CLEVIS,1 X 2.5 LG.....	6	10F	106647	TIRE & WHEEL ASSY,RH,FOAM,NM <i>RT, Foam-filled, Non-marking, right</i>	
--	74389	RUE RING 1.00		10F	106648	TIRE & WHEEL ASSY,LH,FOAM,NM <i>RT, Foam-filled, Non-marking, left</i>	
6	59460	CYLINDER,STEERING*** .....	2	11	88883	HUB,2WD,FRONT*** .....	2
--	89294	SEAL KIT CYLINDER (59460)		--	102126	SEAL KIT,DRIVE HUB (88887)***	
7	77643	TIE ROD WELDMENT,S60.....	1	--	227986	V-RING 100, RUBBER SEAL	
8	107615P	BRACKET,HOSE ROUTING,LH,PTD.....	1	--	227987	RING,OIL SEAL, 95 X 120 X 12	
--	106516	CLAMP,HOSE,2X4,1X6,2X8***		--	77674	NUT,HEX,FLANGE 5/8-18,GRD 8 ZI.....	18
--	106517P	CLAMP TOP,HOSE ROUTING PAINTED		--	94891	COVER,HUB (88883)	
--	107616P	BRACKET,HOSE ROUTING,RH,PNTD.....	1	--	94892	SHIM,HUB (88883)	
9	77726	YOKE ASSEMBLY W/BEARINGS,LH		--	94893	BEARING,OUTER (88883)	
--	25817	BEARING,1.00IDX1.25ODX1.00L		--	94894	BEARING,INNER (88883)	
--	77725	YOKE ASSEMBLY W/BEARINGS,RH		11A	88886	WHEEL DRIVE 56:1 4WD*** .....	2
10A	88729	TIRE & WHEEL ASSY,AIR,RH*** .....	1	--	102126	SEAL KIT,DRIVE HUB (88887).....	1
10A	88730	TIRE & WHEEL ASSY,AIR,LH.....	1	--	102131	DISCONNECT KIT (88887)	
--	88727	WHEEL 24.5X11.75-9 HOLE <i>for 88729, 88730</i>		--	102157	O-RING,.070 X .239,VITON 75D	
--	88728	TIRE,355/55D625,OUTRIGGER,LP <i>for 88729, 88730</i>		--	102162	LUG,STUD/WHEEL (88887)	
10B	77790	TIRE & WHEEL ASSY RH,FF <i>RT, Foam-filled, right; 37 inch diameter</i>		--	102163	RING,RETAINING***	
10B	77791	TIRE & WHEEL ASSY,LH FF*** <i>RT, Foam-filled, left; 37 inch diameter</i>		--	102167	SHAFT,INPUT DRIVE HUB (88887)	
10C	77792	WHEEL & TIRE ASSY,RH FF <i>RT, Foam-filled, right; 40 inch diameter</i>		--	215340	LOCKRING, RR	
10C	77793	WHEEL & TIRE ASSY,LH,FF <i>RT, Foam-filled, left; 40 inch diameter</i>		--	215642	BRAKE KIT (88886)***	
10D	94332	TIRE & WHEEL ASSY,TURF SPEC*** <i>Turf, Air-filled</i>		--	77674	NUT,HEX,FLANGE 5/8-18,GRD 8 ZI.....	18
--	81164	TIRE,41/18LL X 22.5,14PR,TURF* <i>for 94332</i>		11B	88884	MOTOR,PISTON,30CC,4WD*** <i>sold seperately</i>	
--	94333	WHEEL,22.5X14.00*** <i>for 94332</i>		--	102155	BEARING,BALL DRIVE SHAFT <i>for 88884</i>	
				--	102158	O-RING,.103 X 4.737,VITON, 75D	
				--	102159	SHAFT,15 TOOTH <i>for 88884</i>	



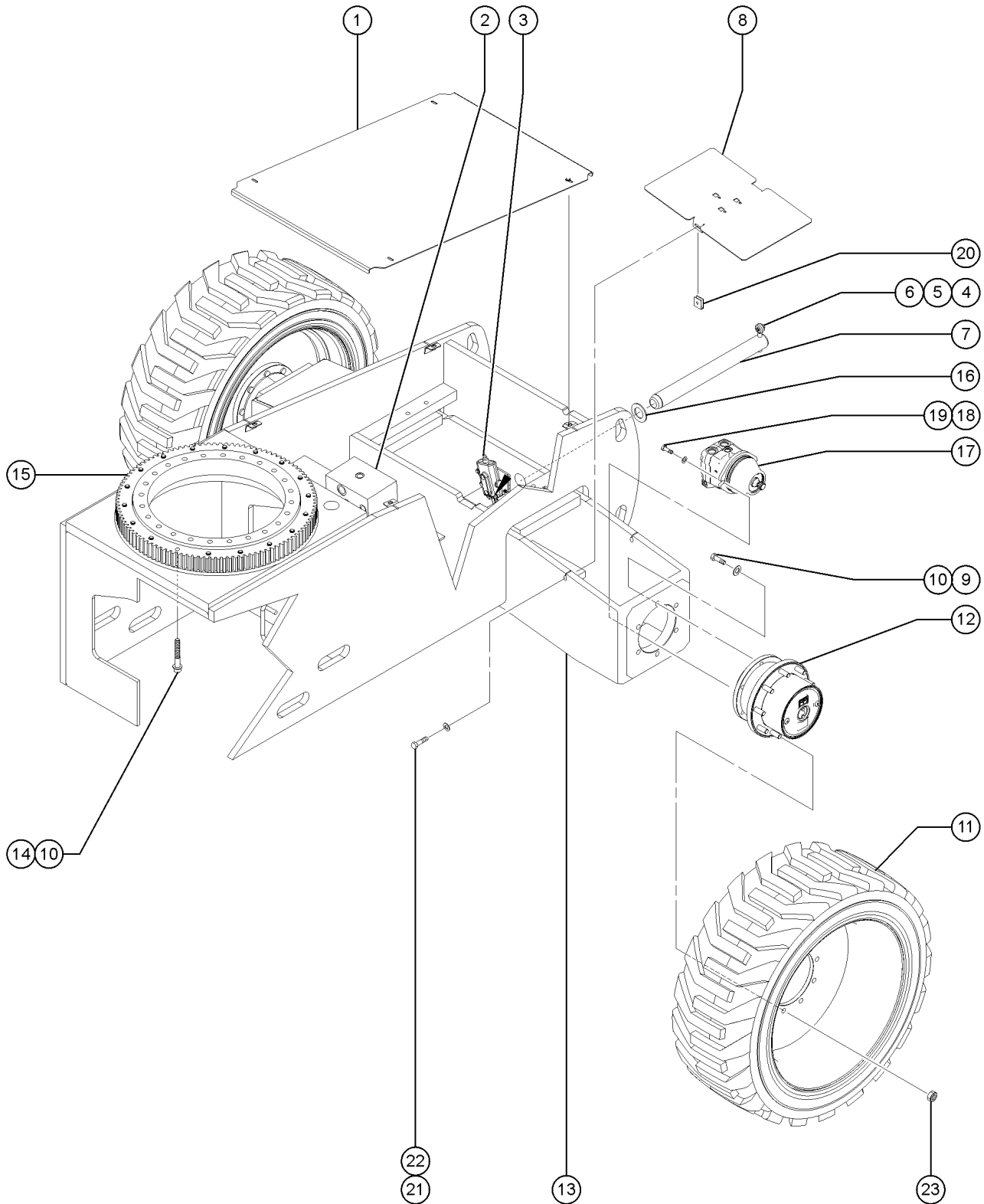
201.2 Steer End (from SN 10345)  
(continued)

Item	Part No.	Description	Qty.
--	106098	SEAL KIT,MOTOR,LC/KC*** <i>for 88884</i>	
--	27067	SEAL,SHAFT-SUNDSTRAND*** <i>for 88884</i>	
--	72290	SNAP RING(M46 UNITS)* <i>for 88884</i>	
12	73455	SCREW,HHC,5/8-11 X 2.25 GR8.....	12
13	13064	WASHER,FLAT,.625 HARDENED.....	12
14	45226	ROD END,.375 X 3.69	
15	8255	SCREW,HHC,3/8-16 X .75	
16	6021	WASHER,LOCK,.375	
17	110221	PIN,GROOVE/HOLE,1.50 DIAX4.375.....	4
18	77880	PIN,1.50DIAX9.38LG,1HOLE.....	2
19	5224	SCREW,HHC,3/8-16 X 2	
20	4828	NUT,NYLOCK,3/8-16	
21	77610	PIN,2.00DIAX23.13LG,CHAMFER...1	
22	30418	ROD END,.50 X 4	
23	8177	SCREW,HHC,1/2-13 X 1.5	
24	6033	WASHER,LOCK,0.5"	
25	6326	SCREW,HHC,3/8-16 X 3	
26	6097	WASHER,FLAT,USS,3/8",Y	
27	45074	WASHER,THRUST,1.5 X 3.5 X .187.....	2
28	110578	CYLINDER,OSCILLATE,S60.....	2
--	33428	VALVE,COUNTERBALANCE	
--	89295	SEAL KIT CYLINDER (63189)	
29	94221	PIN,1.50DIAX3.75LG,1HOLE.....	2
30	25284	ROD END,.375 X 2.25***	
31	6021	WASHER,LOCK,.375	
32	6175	SCREW,HHC,3/8-16 X 1	
33	106516	CLAMP,HOSE,2X4,1X6,2X8*** .....	2
34	45071	BEARING,1.5IDX1.75ODX1.5L.....	2
35	119146	AXLE ASSEMBLY,S60 FRONT.....1 <i>Includes item 34</i>	
35	42014	BEARING,2.00IDX2.25ODX2.00L....	2
36	18383	SNAP RING,EXTERNAL,1.5 DIA***	



*This Page Intentionally Left Blank*

202.1 Non-steer End

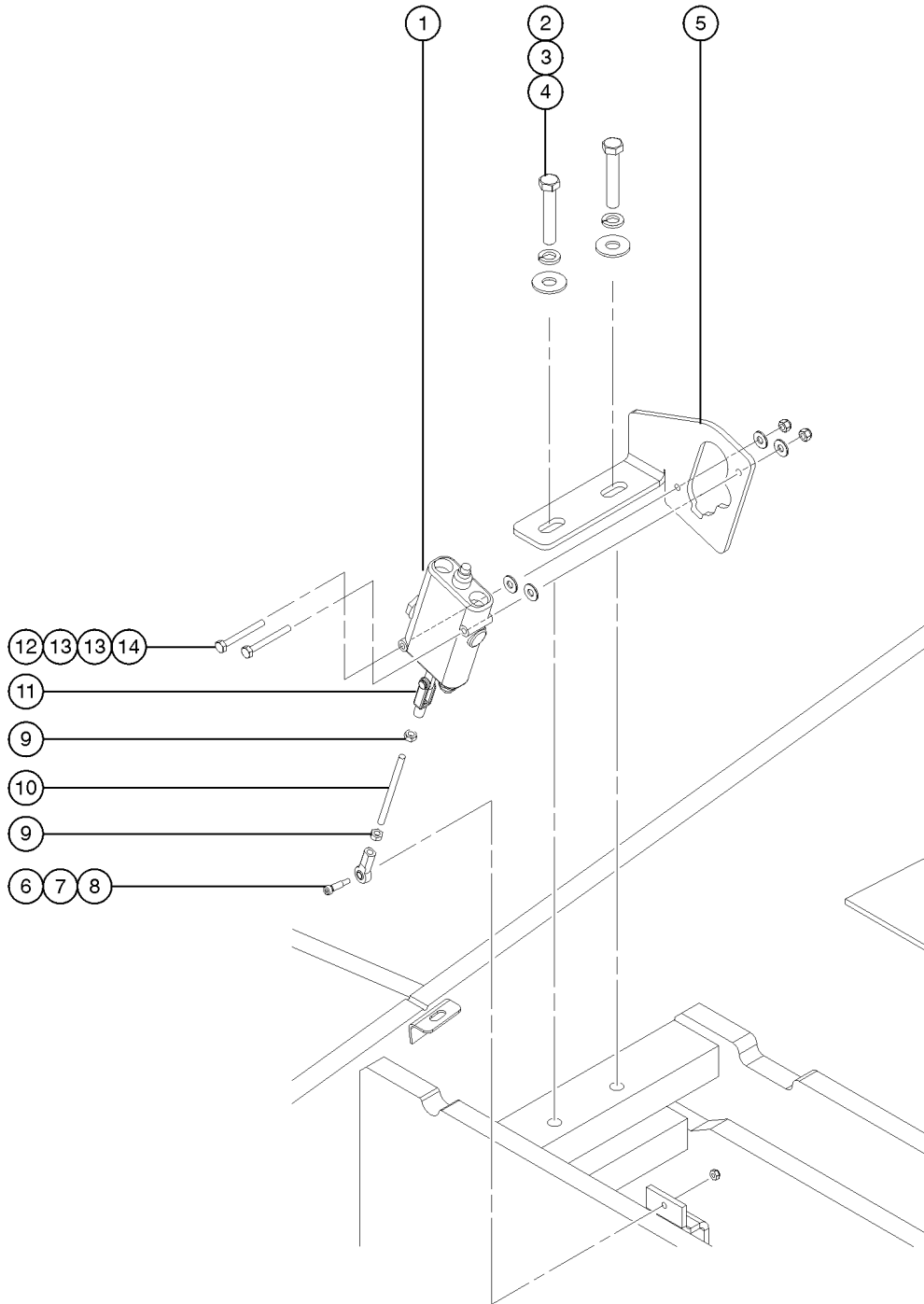


202.1 Non-steer End

Item	Part No.	Description	Qty.	Item	Part No.	Description	Qty.
1	94508	COVER, W/DECALS, NONSTEER END*		16	18730	WASHER,FLAT,2.01 X 3.5 X .06	
2		Ref. Traction Manifold (refer to 402.1)		17	88884	MOTOR,PISTON,30CC,4WD*** 4WD; shown	
3		Ref. Oscillate Valve (refer to 203.1)		--	102155	BEARING,BALL DRIVE SHAFT for 88884	
4	30418	ROD END,.50 X 4		--	102158	O-RING,.103 X 4.737,VITON, 75D FOR 88884	
5	6175	SCREW,HHC,3/8-16 X 1		--	102159	SHAFT,15 TOOTH for 88884	
6	6021	WASHER,LOCK,.375		--	106098	SEAL KIT,MOTOR,LC/KC*** for 88884	
7	77950	PIN,2.00DIA X 20.88LG,CHAMFER		--	27067	SEAL,SHAFT-SUNDSTRAND*** for 88884	
8	77623P	COVER,REAR AXLE.....2		--	72290	SNAP RING(M46 UNITS)* for 88884	
9	73455	SCREW,HHC,5/8-11 X 2.25 GR8.....12		17A	88885	MOTOR,PISTON,35CC,2WD*** 2WD; not shown	
10	13064	WASHER,FLAT,.625 HARDENED.....30		--	102155	BEARING,BALL DRIVE SHAFT for 88885	
11		Ref. Wheel and Tire Assembly refer to 201.1 or 201.2		--	102158	O-RING,.103 X 4.737,VITON, 75D FOR 88885	
12	88886	WHEEL DRIVE 56:1 4WD*** .....2 4WD models; shown		--	102159	SHAFT,15 TOOTH for 88885	
--	102126	SEAL KIT,DRIVE HUB (88887)*** replaced 58484		--	106098	SEAL KIT,MOTOR,LC/KC*** for 88885	
--	102131	DISCONNECT KIT (88887)		--	27067	SEAL,SHAFT-SUNDSTRAND*** for 88885	
--	102162	LUG,STUD/WHEEL (88887)		--	72290	SNAP RING(M46 UNITS)* for 88885	
--	102163	RING,RETAINING***		18	88296	SCREW,HHC,7/16-14 X 1.25.....4	
--	102167	SHAFT,INPUT DRIVE HUB (88887)		19	119988	WASHER,.469 X .781,HRD.....4	
--	215340	LOCKRING, RR		20	56912	SPRING CLIP,1/4-20,.025-.15X.5	
--	215642	BRAKE KIT (88886)***		21	6090	SCREW,HHC,1/4-20 X .75	
12A	88887	WHEEL DRIVE 56:1 2WD*** .....2 2WD models		22	6638	WASHER,FLAT,USS,1/4"Y	
--	102126	SEAL KIT,DRIVE HUB (88887)***		23	77674	NUT,HEX,FLANGE 5/8-18,GRD 8 ZI.....18	
--	102131	DISCONNECT KIT (88887)					
--	102162	LUG,STUD/WHEEL (88887)					
--	102163	RING,RETAINING***					
--	102167	SHAFT,INPUT DRIVE HUB (88887)					
--	215340	LOCKRING, RR					
--	215642	BRAKE KIT (88886)***					
13	94746	NON-STEER AXLE ASSEMBLY**					
--	42014	BEARING,2.00IDX2.25ODX2.00L					
14	21175	SCREW,SHC,5/8-11 X 4,A574.....18 to SN 20315					
--	139865	SCREW,HHC,5/8-11 X 4.00 GR8 BO.....18 from SN 20316					
15	63468	BEARING,TURNTABLE ROTATION					

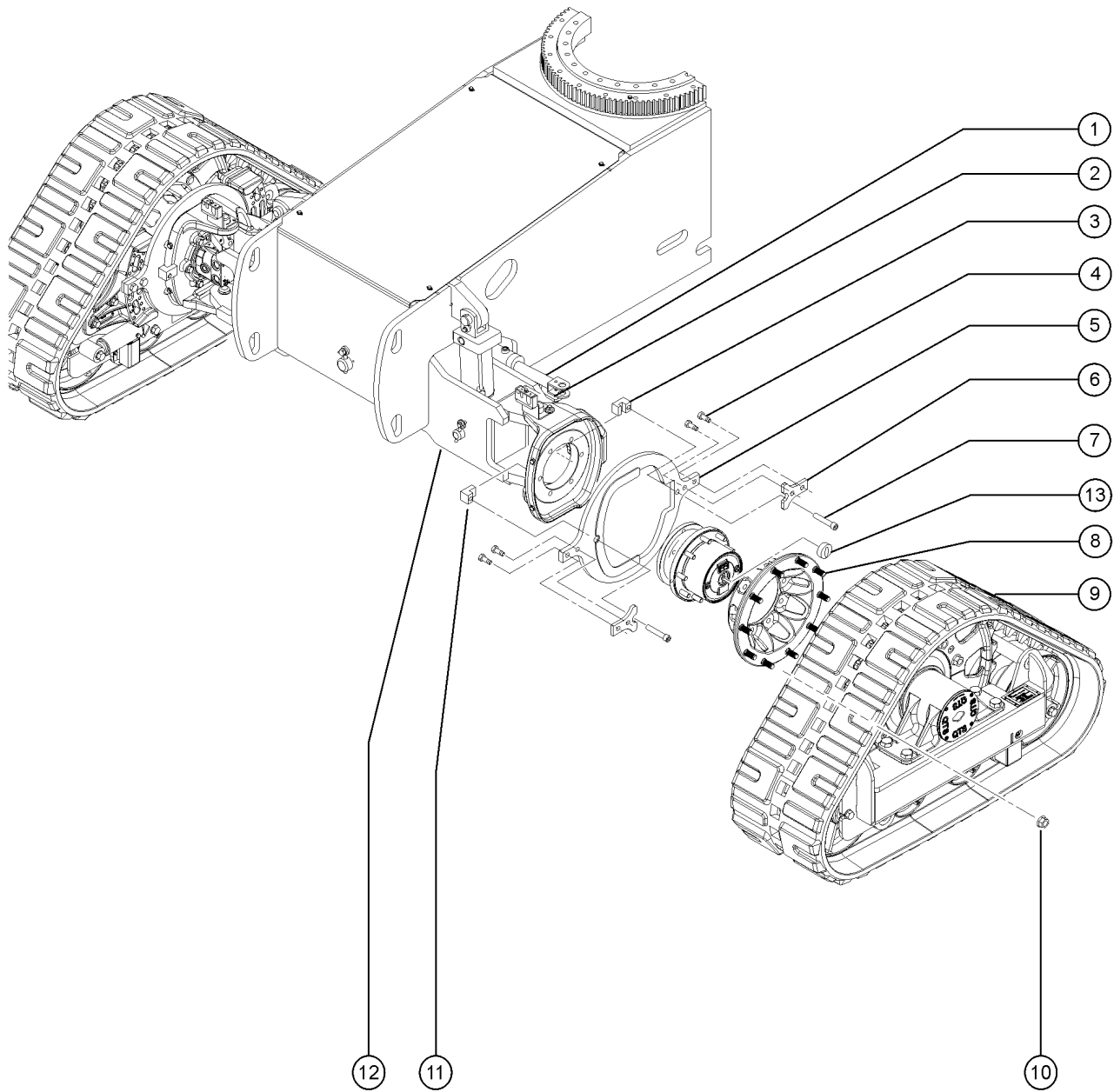


203.1 Oscillate Valve



Item	Part No.	Description	Qty.
1	81552	VALVE,MANUAL,W/RELIEF VALVE*** .....	1
2	39479	SCREW,HHC,1/2-13 X 2.75.....	2
3	6033	WASHER,LOCK,0.5".....	2
4	6095	WASHER,FLAT,USS,1/2",Y.....	2
5	139578	BRACKET, OSCILLATE VALVE.....	1
6	6584	SCREW,SHS,10-24 X .625.....	1
7	81691	ROD END,BALL JOINT 1/4-28.....	1
8	5365	NUT,NYLOCK,10-24.....	1
9	21496	NUT,HEX,1/4-28.....	2
10	30785-400	THREADED ROD,1/4-28 X 4 IN*** .....	1
11	21130	CLEVIS YOKE-1/4-28,PLTD W/PIN.....	1
12	8179	SCREW,HHC,1/4-20 X 2.25.....	2
13	6638	WASHER,FLAT,USS,1/4"Y.....	4
14	6091	NUT,NYLOCK,1/4-20.....	2

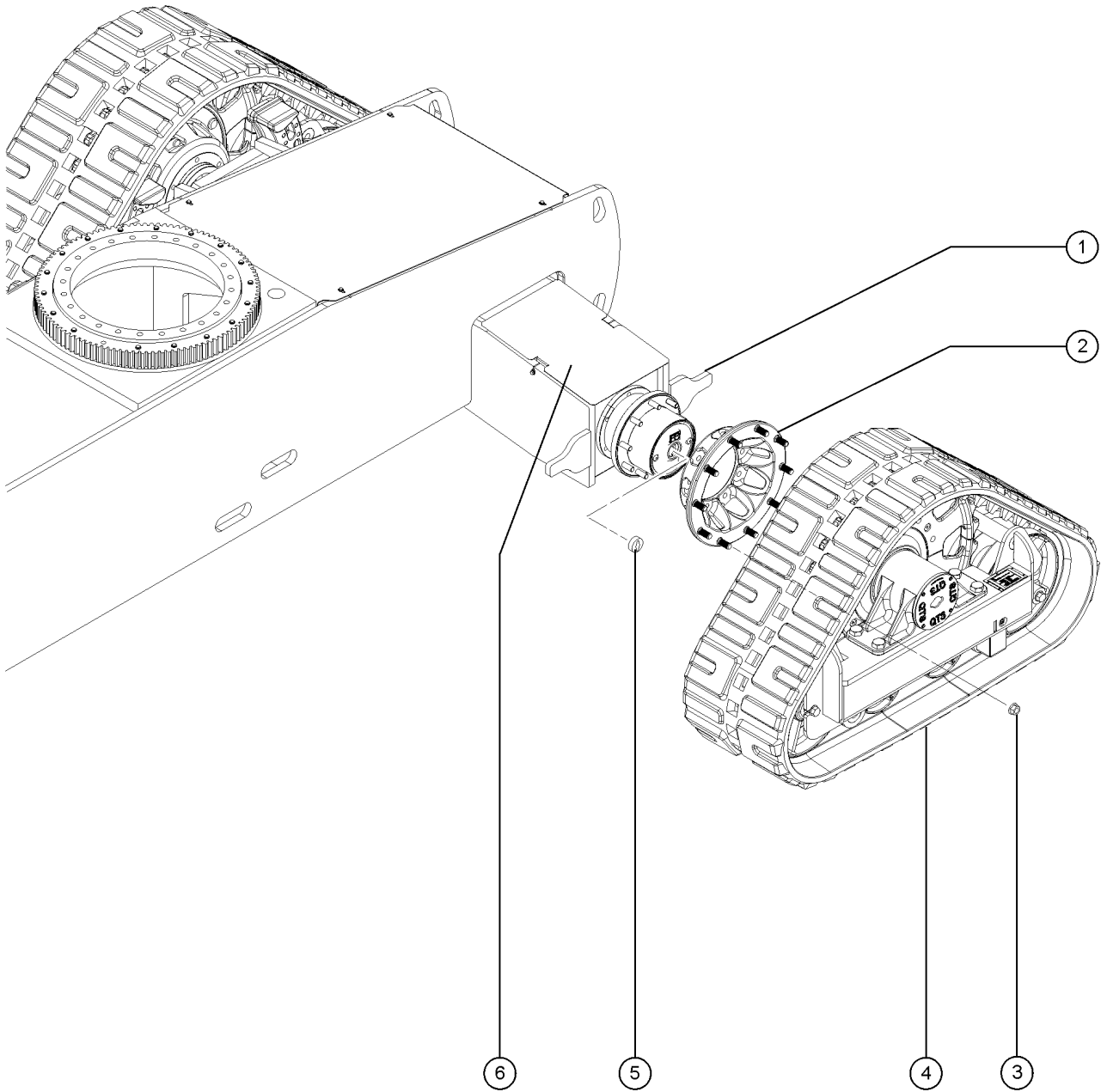
204.1 TraX Option Steer End



## 204.1 TraX Option Steer End

Item	Part No.	Description	Qty.
1	125865	CYLINDER, STEER.....	1
--	89294	SEAL KIT CYLINDER (59460)	
2	125864	WELDMENT, TIE ROD.....	1
3	139122	MACH. MOUNTING BLOCK.....	1
4	94439	SCREW,HHC,3/4-10 X 1.5.....	4
5	139000	ROTATIONAL LIMITER FRONT RIGHT.....	1
		<i>includes items 1,2,4,5 and 9</i>	
--	139001	ROTATIONAL LIMITER FRONT LEFT.....	1
		<i>includes items 1,2,4,5 and 9</i>	
6	139121	PLATE, HAMMER SHIM 1/2.....	2
7	106669	SCREW,HHC,5/8-11 X 1.5 GRD.8...2	
8	139002	SPACER.....	2
--	139140	STUD, 3/4-16 UNF X 2-1/2 LG <i>for 139002</i>	
9A	139120	ASSEMBLY, TRAX UNIT, RIGHT.....1 <i>refer to section 206.1 for TRAX System service components</i>	
9B	147149	ASSEMBLY, TRAX UNIT, LEFT.....1 <i>refer to section 206.1 for TRAX System service components</i>	
10	139135	NUT, FLANGE, 3/4-16 UNF GR8...10	
11	139125	MACH. MOUNTING BLOCK.....	1
12	139224	STEER AXLE ASSEMBLY.....	1
--	45071	BEARING,1.5IDX1.75ODX1.5L	
13	139179	SEAL,TRAX HUBS.....	1

205.1 TraX Option Non-Steer End



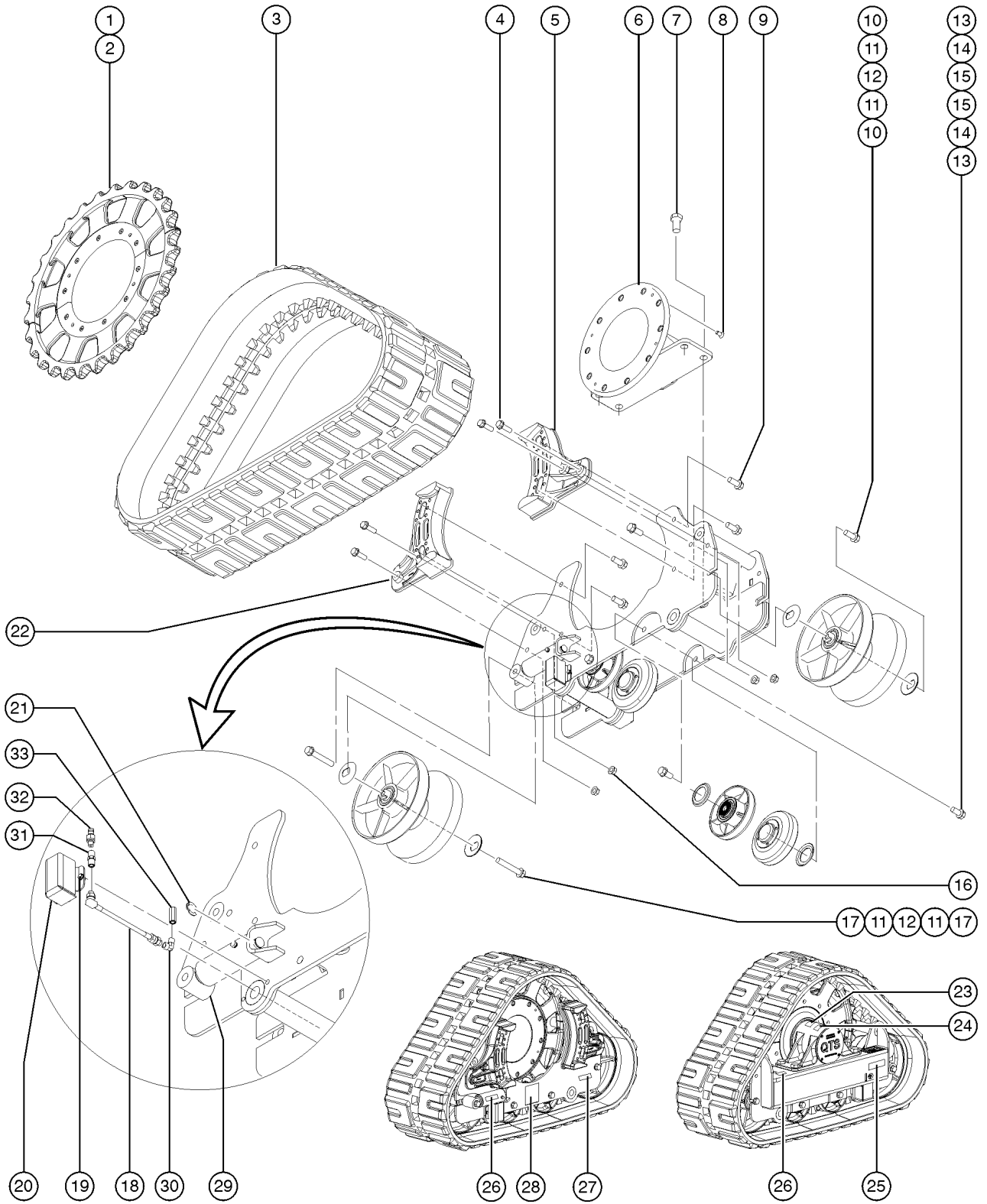


205.1 TraX Option Non-Steer End

Item	Part No.	Description	Qty.
--		Ref., SKID PLATE KIT <i>S-60 and S-65 models; refer to 204.1</i>	
1	139175	NON-STEER AXLE ASSEMBLY.....2	
--	42014	BEARING,2.00IDX2.25ODX2.00L	
2	139002	SPACER.....2	
--	139140	STUD, 3/4-16 UNF X 2-1/2 LG <i>for 139002</i>	
3	139135	NUT, FLANGE, 3/4-16 UNF GR8...10	
4A		Ref., TRAX UNIT, RIGHT.....1 <i>refer to section 204.1</i>	
4B		Ref., TRAX UNIT, LEFT.....1 <i>refer to section 204.1</i>	
5	139179	SEAL,TRAX HUBS.....2	
6	125866	COVER, REAR AXLE.....2	



206.1 TraX Option Components

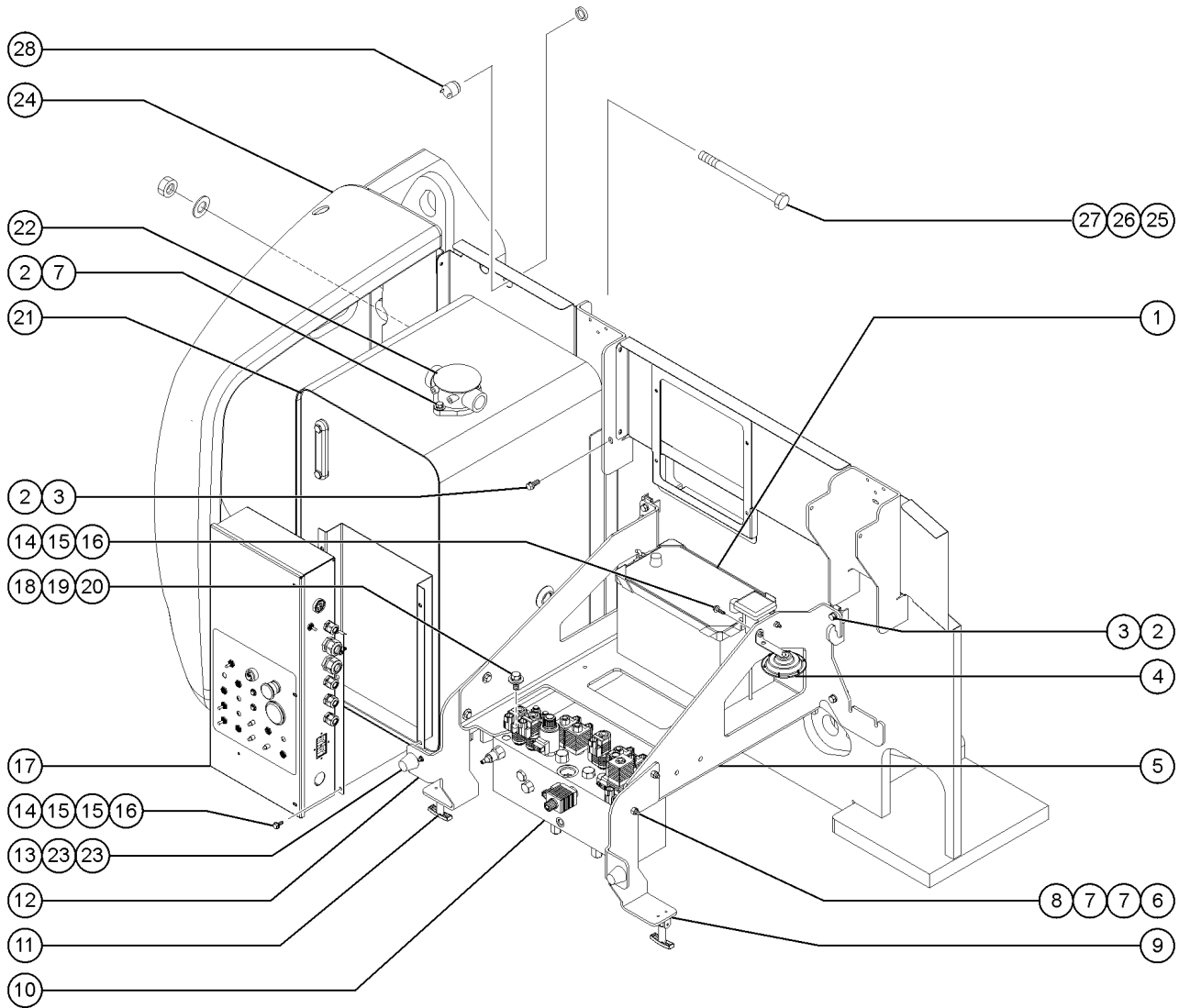


206.1 TraX Option Components

Item	Part No.	Description	Qty.	Item	Part No.	Description	Qty.
A	139262	KIT,TRAX,9-BOLT,S60 W/RR HUBS		20B	1261394	ASSEMBLY, INSIDE HOSE GUARD	
--	139179	SEAL,TRAX HUBS		21	128919	SNAP RING.....2	
B	217979	KIT,TRAX,9-BOLT,S60 W/OMNI HUB		22	128924	CAST, LIMITER STOP BRKT L.....1	
--	139179	SEAL,TRAX HUBS		23	226940	DECAL,LABEL,TORQUE.....1 SUPPLIER P/N 401889	
C	139000	ROTATIONAL LIMITER FRONT RIGHT		24	226944	DECAL,WARN,AVOID INJURY.....1 SUPPLIER P/N 402046	
D	139001	ROTATIONAL LIMITER FRONT LEFT		25	226946	DECAL,WARN,HIGH PRESS.....1 SUPPLIER P/N 402048	
E	147155	ROTATIONAL LIMITER REAR		26	226943	DECAL,CAUTION,READ INST.....1 SUPPLIER P/N 402045	
1	128922	SPROCKET, MACH. HALF RIGHT.....1		27	226945	DECAL,WARN,CRUSH HAZ.....1 SUPPLIER P/N 402047	
2	128923	SPROCKET, MACH. HALF LEFT.....1		28A	226941	DECAL,LABEL,ASSY INSTALL,R....1 SUPPLIER P/N 401904	
3	128926	TRACK, RUBBER.....1		28B	226942	DECAL,LABEL,ASSY INSTALL,I SUPPLIER P/N 401905	
4	111155	SCREW,FLANGE,HHC,5/8-11X2,GR8.4		29	215423	TENSIONER, TRAX	
5	128925	CAST, LIMITER STOP BRKT R.....1		30	1261392	ELBOW,90,1/4-18NPT,FEMALE	
6	128928	HUB.....1		31	1261390	COUPLING - 1/4 NPT	
7	128913	BOLT,HHC,1-14X2.0"GR8 PLT.....4		32	1261389	NIPPLE,STEEL PIPE,1/4NPTX1 LG	
8	128914	SCREW, FHSC, 1/2-13X1.00.....4		33	1261391	NIPPLE,STEEL PIPE,1/4NPTX2.5LG	
9	128912	BOLT,FLANGE,5/8-11X1.5"GR8 PLT.....4					
10	128910	BOLT,FLANGE,3/4-10X1.75GR8 PLT.....2					
11	128920	COVER, DUST.....4					
12	128917	END BOGEY.....2					
13	128909	BOLT,FLANGE,3/4-10X1.5"GR8 PLT.....4					
14	128921	GUARD, SEAL.....4					
15A	128918	SPLIT BOGEY.....4					
--	215424	BEARING, SPL BOGEY (128918) <i>for 128918</i>					
--	215425	SEAL, BEARING (128918) <i>for 215424</i>					
--	215426	SHAFT, RAISED BOSS (128918) <i>internal shaft with raised boss on end</i>					
--	215427	SHAFT, KNURLED (128918) <i>internal shaft with knurled end</i>					
16	128916	LOCKNUT,FLANGE,5/8-11,GR8.....4					
17	128911	BOLT,FLANGE,3/4-10X4.5"GR8 PLT.....2					
18	128927	HYD. HOSE ASSEMBLY 3000 PSI.....1					
19	128955	BOLT,FLANGE,5/16-18X.50 GR5.....4					
20A	1261393	ASSEMBLY, OUTSIDE HOSE GUARD <i>shown for reference only</i>					



301.1 Tank Side - View 1

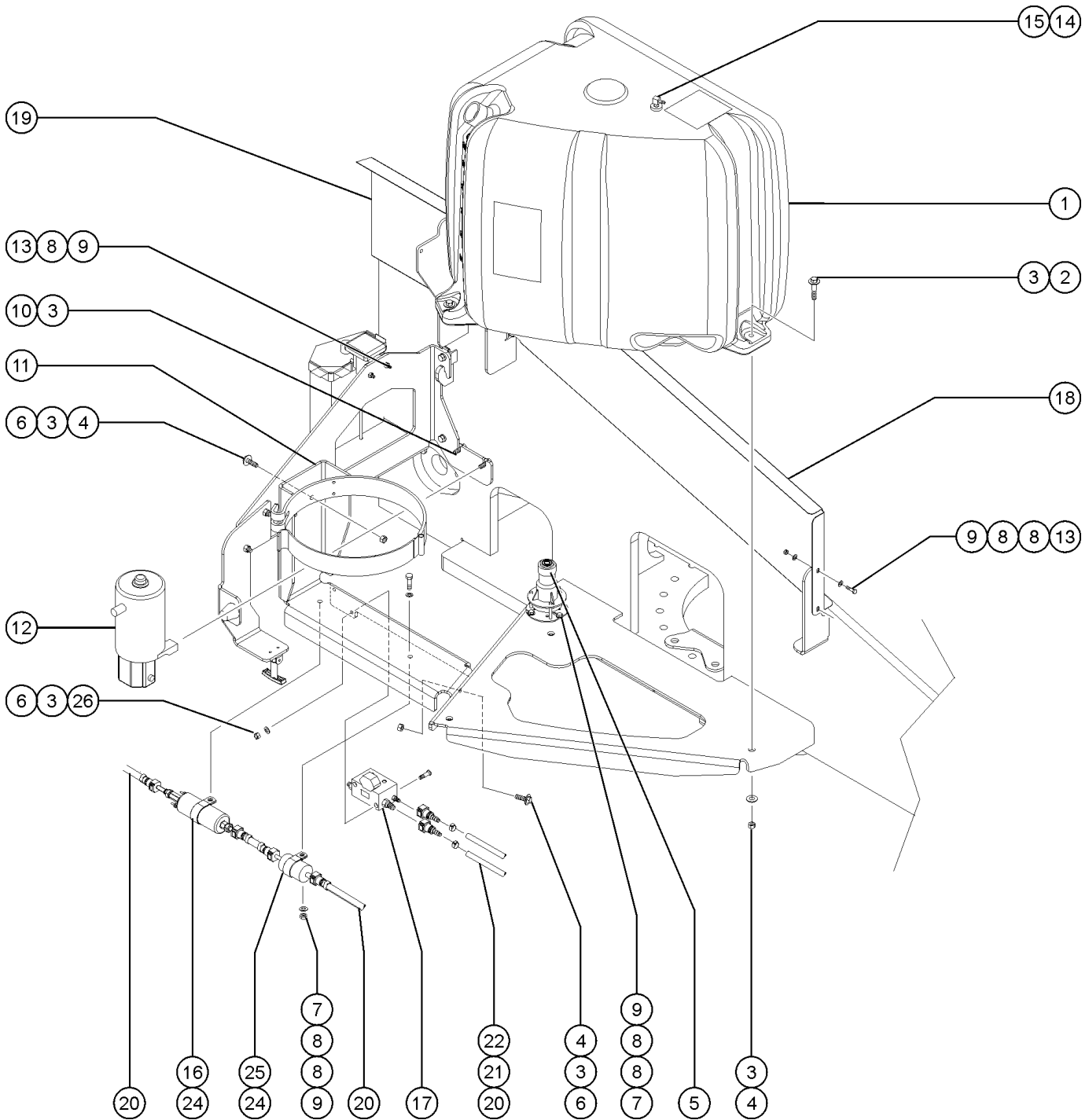


301.1 Tank Side - View 1

Item	Part No.	Description	Qty.	Item	Part No.	Description	Qty.
1	30143	BATTERY,12V,1000 CCA GRP 31.....	1	--	77365	BREATHER CAP,RFM165	
--	30144	BATTERY HOLD DOWN,GROUP 31		--	88917	FILTER,ELEMENT,BETA(10)=200	
--	45708	HOOK,BATT HOLD DOWN,10"		--	94526	GASKET,RETURN FILTER-77353	
1A	237068	SEPARATOR,DUAL BATTERY,100A <i>for dual-battery option</i>		23	18503	NUT,LOCKING-LG.FLANGE,5/16-18.4	
2	6175	SCREW,HHC,3/8-16 X 1		24	88888	COUNTERWEIGHT,S60 4350LBS.....	1
3	29868	SPRING CLIP,3/8-16		24	88889	COUNTERWEIGHT,S60/65 5500LBS**	
4	81578	HORN,12VDC,SPADE TERMINALS***.....	1	25	73928	SCREW,HHC,1-8 X 11,GRD 5***.....	1
5	T108403	WELDMENT,BAT/MANIF TRAY,S60/65.....	1	26	38859	WASHER,FLAT,USS,1",Y	
6	4828	NUT,NYLOCK,3/8-16		27	29764	NUT,NYLOCK,1-8	
7	6097	WASHER,FLAT,USS,3/8",Y		28	230392	ALARM,DESCENT..... <i>from SN 15909; does not include 72326 nut</i>	1
8	6019	SCREW,HHC,3/8-16 X 1.25 GRD 5		28	72326	NUT - PLASTIC,RING FOR ALARMS.....	1
9	77646P	FORMING,COVER STOP,PAINTED.....	1				
10		Ref. Function Manifold (refer to 401.1)					
11	45363	LATCH,FLEXIBLE.....	4				
--	54322	SCREW,10-32 X.625,SF.TAP.PHIL					
--	6146	WASHER,FLAT,MS,#10,Y					
--	6178	NUT,NYLOCK,10-32					
12	77645P	FORMING,COVER STOP,PAINTED.....	1				
13	30973	BUMPER,RUBBER-1 X 1.25.....	2				
14	6090	SCREW,HHC,1/4-20 X .75					
15	6638	WASHER,FLAT,USS,1/4"Y					
16	6091	NUT,NYLOCK,1/4-20					
17		Ref. Ground Controls (refer to 305.1 or 306.1)					
18	10597	SCREW,HHC,1/2-13 X 1.25 GR5					
19	6033	WASHER,LOCK,0.5"					
20	6095	WASHER,FLAT,USS,1/2",Y					
21	94521	HYDRAULIC TANK ASSEMBLY*** .....	1				
--	21141	GAUGE-SIGHT,LHA-LGTB***					
22	110345	FILTER ASSY,INTANK.....	1				
--	147223	SEAL,FILTER LID					
--	77353	KIT,ELEMENT** <i>includes element, breather and gasket</i>					
--	77354	FILTER LID,RFM165					



302.1 Tank Side - View 2

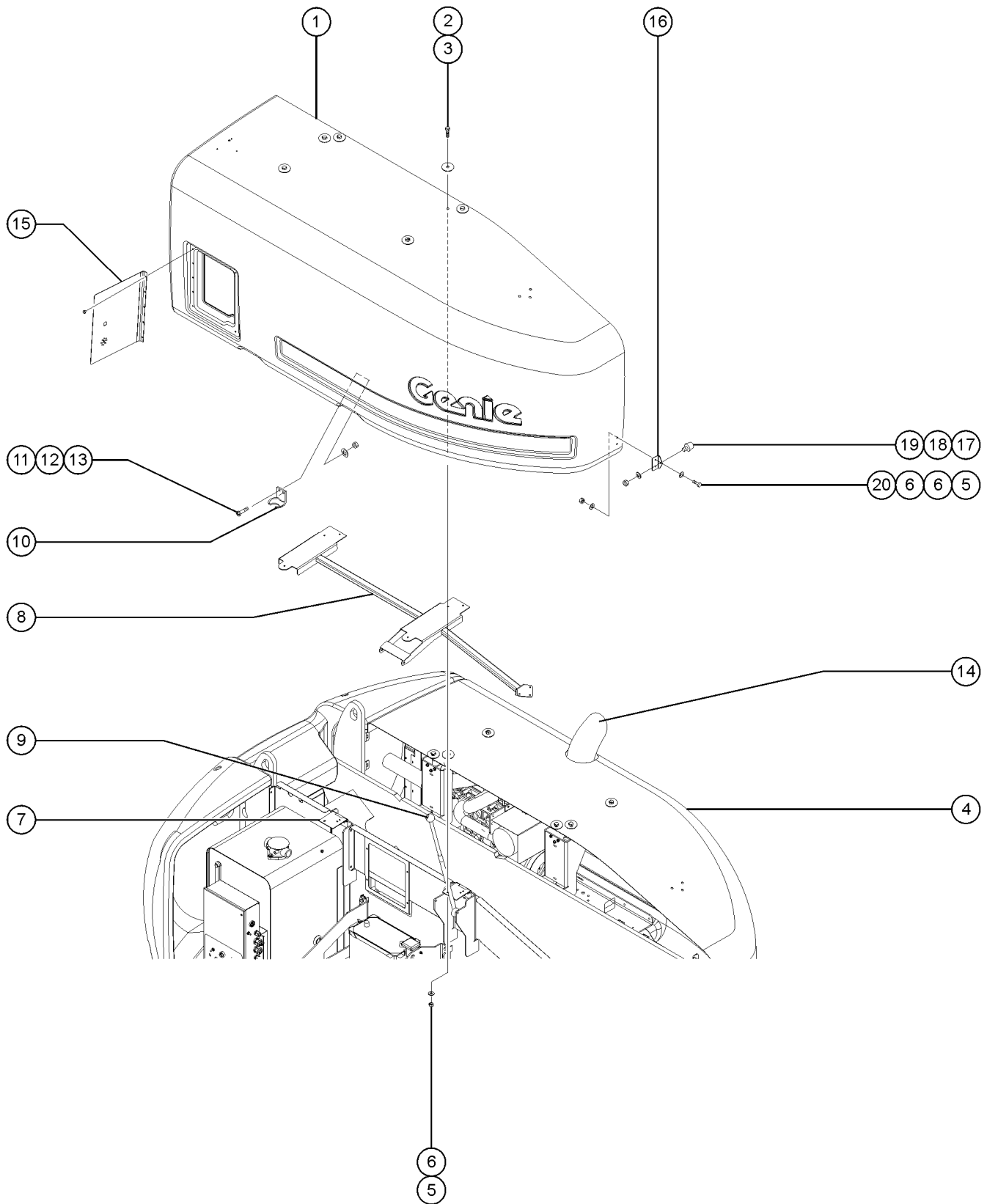


302.1 Tank Side - View 2

Item	Part No.	Description	Qty.	Item	Part No.	Description	Qty.
1	88684	TANK,FUEL 35 GAL PLASTIC,S60.....1 <i>Diesel models; Gasoline models to SN 16157</i>	1	16B	77219	PUMP, FUEL, LRG425, WALBRO....1 <i>Ford Models</i>	1
--	101726	CAP,FUEL,DIESEL,1/8"VENT(GRN).1 <i>Diesel models</i>	1	16C	77750	FUEL PUMP (GM 3.0L).....1 <i>GM Models</i>	1
--	101727	CAP,FUEL,GAS,1/8"VENT(RED).....1 <i>Gasoline models to SN 15157</i>	1	17	119170	FUEL SENSOR ASSY.....1 <i>from SN 14054</i>	1
--	119841	TANK ASSY,GAS,30 GAL,PLASTIC.....1 <i>Gasoline models from SN 16158</i>	1	18	77681	FORMING,BULKHEAD,LEFT REAR.....1	1
--	119918	CAP,FUEL,GASOLINE 3.5PSI <i>Gasoline models from SN 16158</i>	1	19	77680	FORMING,BULKHEAD,LEFT FRONT.....1	1
2	5224	SCREW,HHC,3/8-16 X 2		20	71909	HOSE,FUEL,5/16 HIGH PRESSURE**	
3	6097	WASHER,FLAT,USS,3/8",Y		21	65887	CLAMP,HOSE,1 EAR,1/2	
4	4828	NUT,NYLOCK,3/8-16		22	111819	FITTING,SAE J2044F X5/16 BARB	
5	94077	SENSOR,LEVEL,4.5 DEG.....1	1	23	6090	SCREW,HHC,1/4-20 X .75	
--	110382	LEVEL SENSOR,LS60,YL,2.5X4.5 <i>European models; from SN 13290</i>	1	24	27497	CLAMP,RUBBER CUSHIONED-2 5/32	
--	42439	SENSOR,LEVEL 3 DEG** <i>Australia models; from SN 13742</i>	1	25	52179	FILTER, FUEL LRG 425/423 EFI.....1 <i>Ford LRG-425 models; to SN 14053</i>	1
6	6019	SCREW,HHC,3/8-16 X 1.25 GRD 5		--	119984	FILTER,FUEL <i>Ford DSG-423 models; from SN 14054</i>	
7	8915	SCREW,HHC,1/4-20 X 1.25		26	4266	SCREW,HHC,1/4-20 X 2	
8	6638	WASHER,FLAT,USS,1/4"Y					
9	6091	NUT,NYLOCK,1/4-20					
10	6175	SCREW,HHC,3/8-16 X 1					
11	77679	WELDMENT,LP MOUNT.....1	1				
12	89617	POWER UNIT,AUX PUMP 12VDC.....1	1				
--	147289	SEAL KIT, APU					
--	147290	SHAFT SEAL, APU					
--	58489	PUMP ASSY,AUX.POWER UNIT 89617					
--	77069	MOTOR,12VDC,77066					
--	77071	SOLENOID,77066					
13	6888	SCREW,HHC,1/4-20 X 1					
14	70387	FUEL RETURN,DAPCO 3/8" <i>Gasoline/LPG models</i>					
--	61234	FUEL RETURN,DAPCO 18.75 <i>Diesel models</i>					
15	61240	BUSHING,FUEL TANK FITTING (SM).....1	1				
16A	119168	FUEL PUMP,DSG-423 <i>Ford Models</i>					



303.1 Turntable Covers

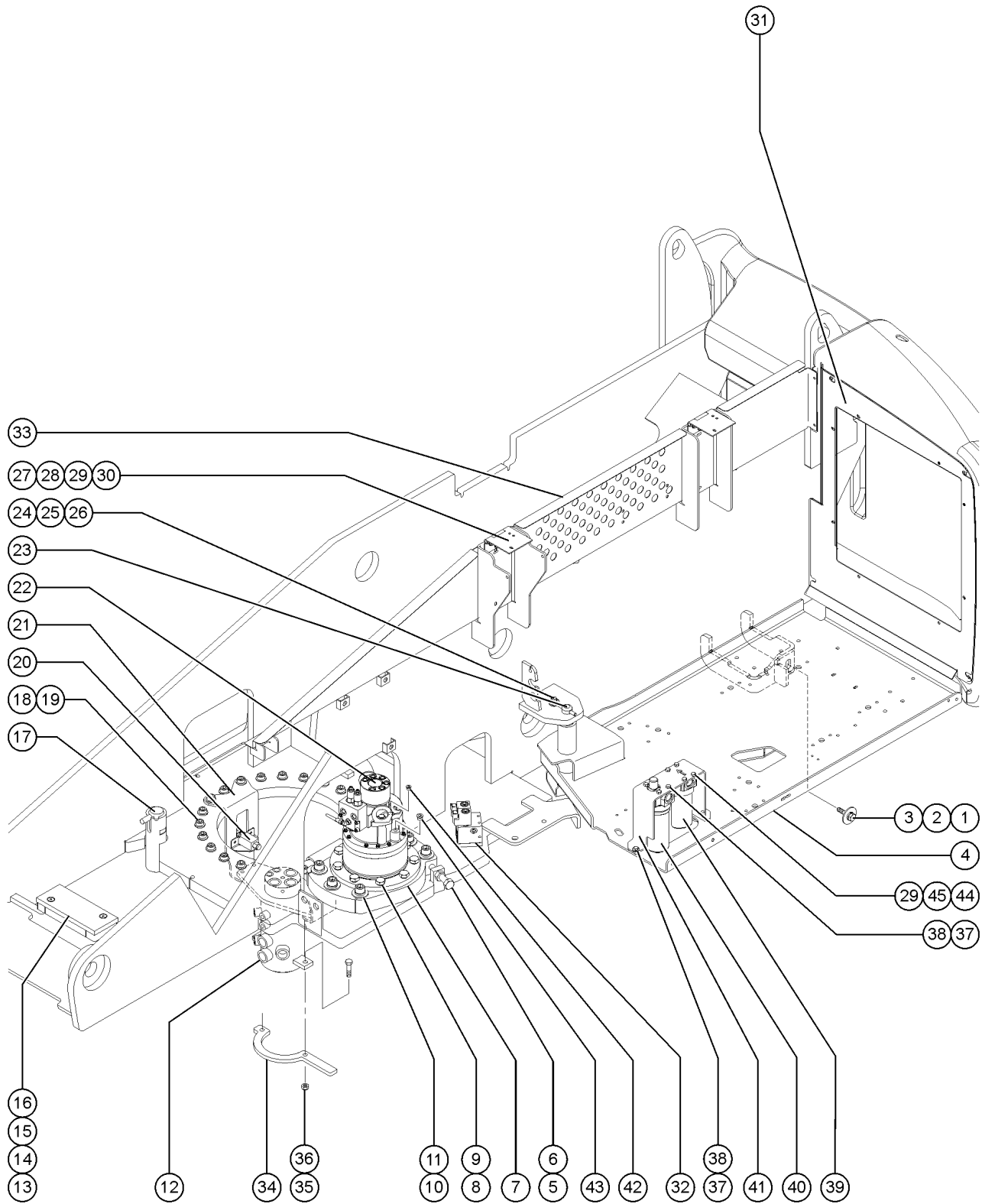




303.1 Turntable Covers

Item	Part No.	Description	Qty.	Item	Part No.	Description	Qty.
1A	94528	COVER ASSY.W/WORD DECALS LH*** .....1 <i>to SN 17349</i>		16	88106P	FORMING,COVER STOP,PAINT.....1	
--	101405	COVER ASSY W/ SYMBOL DECALS LH <i>to SN 17349</i>		17	30973	BUMPER,RUBBER-1 X 1.25.....1	
1B	139901	COVER ASSY W/ WORD DECALS LH <i>from SN17350</i>		18	5397	WASHER,FLAT,USS,5/16",Y	
--	139899	COVER ASSY W/ SYMBOL DECALS LH <i>from SN17350</i>		19	6782	NUT,NYLOCK,5/16-18	
2	8915	SCREW,HHC,1/4-20 X 1.25		20	6090	SCREW,HHC,1/4-20 X .75	
3	12906	WASHER,FENDER,.25 X 1.25 X.062					
4A	94527	COVER ASSY.W/WORD DECALS RH** .....1 <i>to SN 17349</i>					
--	101404	COVER ASSY W/ SYMBOL DECALS RH <i>to SN 17349</i>					
4B	139902	COVER ASSY W/ WORD DECALS RH <i>from SN 17350</i>					
--	139900	COVER ASSY W/ SYMBOL DECALS RH <i>from SN 17350</i>					
5	6091	NUT,NYLOCK,1/4-20					
6	6638	WASHER,FLAT,USS,1/4"Y					
7	75073	HINGE,.375X.120THK.,SLOTTED...4					
--	77778	PLATE,HINGE SUPPORT					
8	81874	WELDMENT,LEFT COVER SUPPORT .....1					
--	81876	WELDMENT,RIGHT COVER SUPPORT					
9	28301	GAS STRUT,250 LBS FORCE*** .....2					
--	27377	RETAINER,GAS SPRING***					
--	33555	BALL STUD**					
10	75076	KEEPER,LATCH (45363).....4					
11	49816	SCREW,PHILLIPS,PHM,10-32 X .75					
12	6146	WASHER,FLAT,MS,#10,Y					
13	6178	NUT,NYLOCK,10-32					
14	101964	WELDMENT,EXHAUST TUBE.....1					
15		Ref. COVER, GROUND CONTROL BOX <i>refer to figure 909.1</i>					

304.1 Engine Side



304.1 Engine Side

Item	Part No.	Description	Qty.	Item	Part No.	Description	Qty.
1	73455	SCREW,HHC,5/8-11 X 2.25 GR8.....1		22	139189	SWING DRIVE ASSEMBLY.....1	
2	6036	WASHER,LOCK,.625 PLTD		--	41489	SCREW,SHC,5/16-18 X 2,PLATED	
3	33418	WASHER,FLAT,.625 X 2.25 X.15		--	45483	VALVE,SHUTTLE***	
4	101291	ENGINE TRAY ASSY W/BEARINGS.....1 <i>to SN 9693</i>		--	58387	O-RING,MOTOR/BRAKE (88921)***	
--	101540	ENGINE TRAY ASSY W/BEARINGS.....1 <i>from SN 9694</i>		--	65616	SEAL KIT PWR WHL MOTOR <i>for 94621</i>	
--	35675	BEARING,FL,1.25IDX1.5ODX1.25L.1		--	6886	WASHER,LOCK,.313	
5	61128	SCREW,HHC,3/4-10 X 4 FULL THRD		--	81366	MANIFOLD,SWING CB & BRAKE	
6	6126	NUT,HEX,JAM,3/4-10		--	83009	VALVE,COUNTERBALANCE(81366)***	
7	77671	PLATE,BACKLASH ADJUSTMENT MACH.....1		--	94620	SEAL KIT,SWING TORQ HUB***	
8	94747	SCREW,HHC,1/2-13 X 1.75 GRD 8.....9		--	94621	SWING MOTOR,COMPLETE***	
9	13066	WASHER,FLAT,.5 HARDENED.....9		--	94622	BRAKE PORT HARDLINE	
10	88212	SCREW,SHC,3/4-10 X 3.00,A574....6		--	94623	KIT,FRICITION DISC	
11	33278	WASHER,FLAT,.75 HARDENED....6		--	94624	KIT,BRAKE SPRING	
12	89571	SWIVEL,HYD 8 PORT***.....1		--	94625	SEAL KIT,SWING BRAKE	
--	94937	SEAL KIT,8-PORT SWIVEL		--	94626	KIT,SWING BRAKE REBUILD	
--	T106954	SEAL, O-RING LIP		23	81724	PIN,1.25 X 13.25 IN,CHAMFER.....1	
--	T106955	SEAL, POLY, CHAMFER		24	45226	ROD END,.375 X 3.69.....1	
--	T106957	SEAL, CAP, NOTCHED		25	8516	SCREW,HHC,3/8-16 X 1.50,GR5	
--	T106961	SEAL, O-RING ENERGIZER		26	6021	WASHER,LOCK,.375	
--	T106962	SEAL, CAP, NOTCHED		27	75073	HINGE,.375X.120THK.,SLOTTED	
13	77676	WEARPAD,BOOM REST.....1		28	6888	SCREW,HHC,1/4-20 X 1	
14	6610	SCREW,FHS,3/8-16 X 2 GRD.8.....2		29	6638	WASHER,FLAT,USS,1/4"Y	
15	6097	WASHER,FLAT,USS,3/8",Y.....2		30	6091	NUT,NYLOCK,1/4-20	
16	4828	NUT,NYLOCK,3/8-16.....2		31	106172P	BAFFLE,AIR INTAKE,PAINTED.....1	
17	81834	WELDMENT,TRANSPORT LOCK		--	110996P	BAFFLE,AIR INTAKE,FORD PNTD <i>from SN 14054 - Ford models only</i>	
18	25068	SCREW,SHC,5/8-11 X 4.5,A574....24 <i>to SN 20315</i>		32	88785	MANIFOLD,BRAKE/2 SPD W/QD PLG*.....1	
--	139865	SCREW,HHC,5/8-11 X 4.00 GR8 BO.....24 <i>from SN 20316</i>		33	77682	FORMING,BULKHEAD,RIGHT.....1	
19	13064	WASHER,FLAT,.625 HARDENED.....24		34	77803	PLATE,SWIVEL ROTATION STOP	
20	88356-13103	SWITCH,LIMIT,W/RLLR ARM,NO/NC.....1		35	6198	NUT,NYLOCK,1/2-13	
--	77666P	FORMING,DRIVE ENABLE LIMIT SW		36	6096	SCREW,HHC,1/2-13 X 2 GR5	
21	77665P	FORMING,HYD SWIVEL BRACKET.....2		37	8255	SCREW,HHC,3/8-16 X .75	
				38	5397	WASHER,FLAT,USS,5/16",Y	
				39	77139	FILTER ASY,M PRESS,SAE8,WOIND*	
				--	60857	FILTER,ELEMENT,BETA(5)=1000 <i>for 77139</i>	
				40	60334	FILTER ASSY,HIGH PRESS SAE-12*	
				--	58222	O-RING,FILTER ASSY (60334)***	

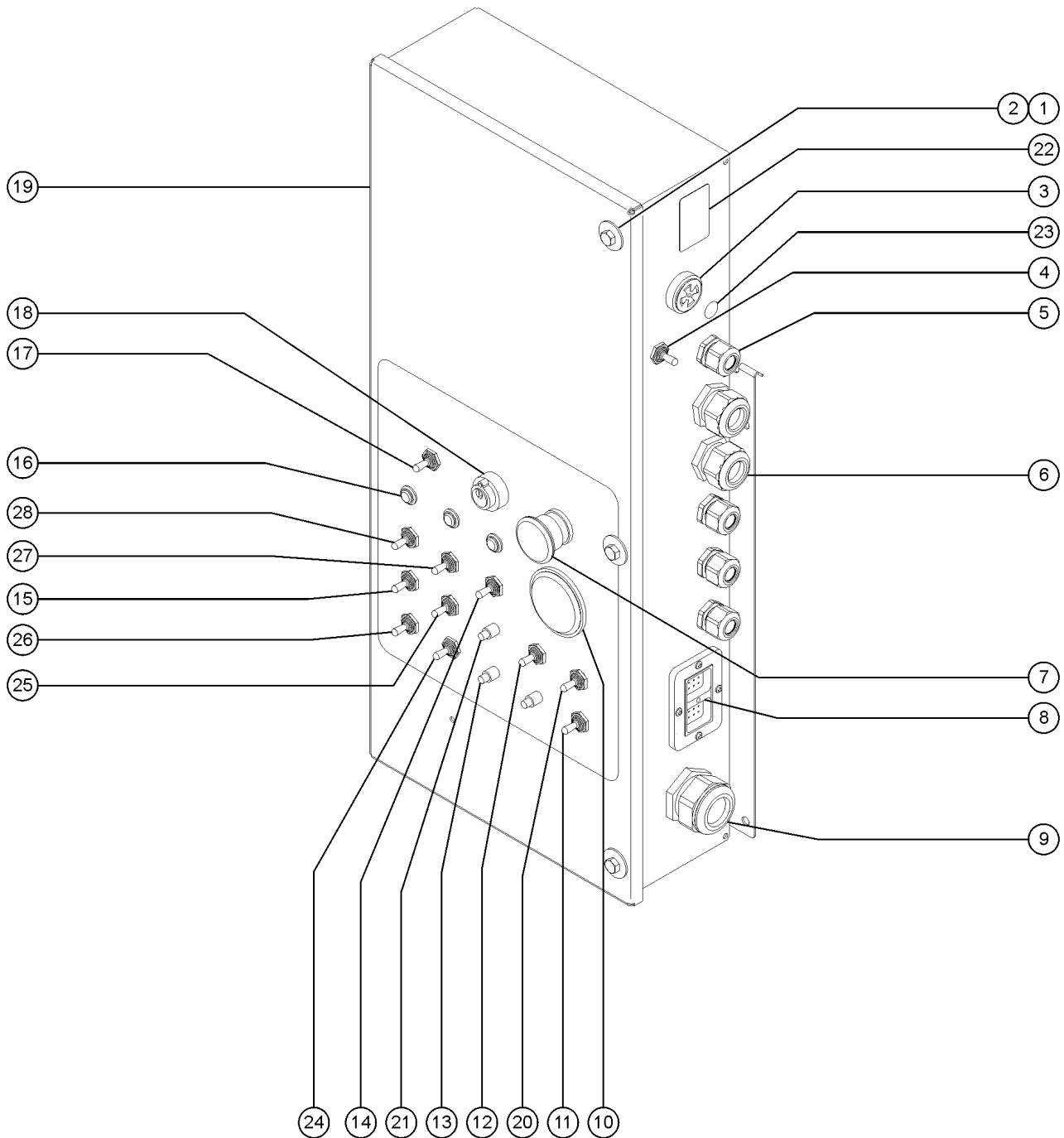


304.1 Engine Side  
(continued)

Item	Part No.	Description	Qty.
--	58223	SEAL,FILTER ASSY (60334)***	
--	58380	FILTER INDICATOR-(60334)	
--	60857	FILTER,ELEMENT,BETA(5)=1000 <i>for 60334</i>	
41	81005	BRACKET,FILTER MOUNT	
42	39882	PLUG,HEX SOCKET,090109B-4.....1	
43	109802	PLUG,STEEL SOCKET,SAE090109B-6.....1	
44	6090	SCREW,HHC,1/4-20 X .75	
45	6356	WASHER,LOCK,.25	

*This Page Intentionally Left Blank*

305.1 Ground Control Box - View 1 (to SN 20420)



305.1 Ground Control Box - View 1 (to SN 20420)

Item	Part No.	Description	Qty.	Item	Part No.	Description	Qty.
1	6090	SCREW,HHC,1/4-20 X .75		14	128204	SWITCH TOGGLE ASSY SPDT 2P MNT.....1 <i>(Fuel Select, Gas/LPG models; includes boot and hardware)</i>	1
2	6638	WASHER,FLAT,USS,1/4"Y		--	128578	SCREW T-SWITCH PH/PH 6-32X1/4	
3	45383	ALARM,WARBLE TONE 5-30 VDC*** .....1 <i>Does not include 72326 nut</i>	1	--	128584	SWITCH TOGGLE SPDT 2P MNT SHDR	
--	72326	NUT - PLASTIC,RING FOR ALARMS		--	27246	BOOT,TOGGLE SWITCH,SHORT*	
4	128203	SWITCH TOGGLE ASSY SPDT 2P MOM.....1 <i>(Test, Gas/LPG models; includes boot and hardware)</i>	1	--	45384	PLUG,NYLON .50 BLACK DOMED	
--	128578	SCREW T-SWITCH PH/PH 6-32X1/4		15	128202	SWITCH TOGGLE ASSY DPDT 3P MOM.....1 <i>(Turntable Rotate; includes boot and hardware)</i>	1
--	128583	SWITCH TOGGLE SPDT 2P MOM SHDR		--	128578	SCREW T-SWITCH PH/PH 6-32X1/4	
--	27246	BOOT,TOGGLE SWITCH,SHORT*		--	128582	SWITCH TOGGLE DPDT 3P MOM SHDR	
5	7056	CONN,SQUEEZE,1/2NPT .38-.50,SM.....4	4	--	27246	BOOT,TOGGLE SWITCH,SHORT*	
6	12960	CABLE SQUEEZE CONN.,XTRA LRG.....2	2	16A	824879	LIGHT,LED IND. RED 12V NH.....2 <i>Diesel models</i>	2
7	66812	BUTTON,PUSH,RED MUSHROOM HEAD.....1	1	16B	119800	LAMP,INDICATOR,RED,14V,1.2W** <i>Ford models</i>	
--	66818	CONTACT,NC		--	56848	WASHER,LOCK,IND,LAMP RETAINER	
--	73805	BASE,W/2 NC CONTACTS*** <i>includes 2 each N.C. contacts</i>		16C	824880	LIGHT,LED IND. AMBER 12V NH	
8	73753	CONN,RECEP 24 WAY,W/FLANGE		17	128201	SWITCH TOGGLE ASSY DPDT 2P MOM.....1 <i>(Auxiliary Power; includes boot and hardware)</i>	1
--	49820	SCREW,PHILLIPS,PHM,6-32 X .5...4	4	--	128578	SCREW T-SWITCH PH/PH 6-32X1/4	
9	20776	CABLE SQUEEZE CONN.		--	128581	SWITCH TOGGLE DPDT 2P MOM SHDR	
10	19506	HOUR METER,10-80 VOLTS*** .....1 <i>includes mounting bracket</i>	1	--	27246	BOOT,TOGGLE SWITCH,SHORT*	
11	128200	SWITCH TOGGLE ASSY SPDT 3P MOM.....1 <i>(Function Enable; includes boot and hardware)</i>	1	18	96008-S	KEYSWITCH,3 POS.W/KEYS*** .....1	1
--	128578	SCREW T-SWITCH PH/PH 6-32X1/4		--	21982	KEY,SINGLE***	
--	128580-S	SWITCH TOGGLE SPDT 3P MOM SHDR		--	37947	KEYS,10 PACK***	
--	27246	BOOT,TOGGLE SWITCH,SHORT*		19	101421	GROUND CONTROL BOX,W/DECAL.....1	1
12	128200	SWITCH TOGGLE ASSY SPDT 3P MOM.....1 <i>(Engine Start; includes boot and hardware)</i>	1	--	30782	GASKET,GROUND CONTROL BOX.....1	1
--	128578	SCREW T-SWITCH PH/PH 6-32X1/4		20	128200	SWITCH TOGGLE ASSY SPDT 3P MOM.....1 <i>(Glow Plug, Diesel models; includes boot and hardware)</i>	1
--	128580-S	SWITCH TOGGLE SPDT 3P MOM SHDR		--	128578	SCREW T-SWITCH PH/PH 6-32X1/4	
--	27246	BOOT,TOGGLE SWITCH,SHORT*					
13	147094	ASSY, CIRCUIT BREAKER 15A					



305.1 Ground Control Box - View 1 (to SN 20420)  
(continued)

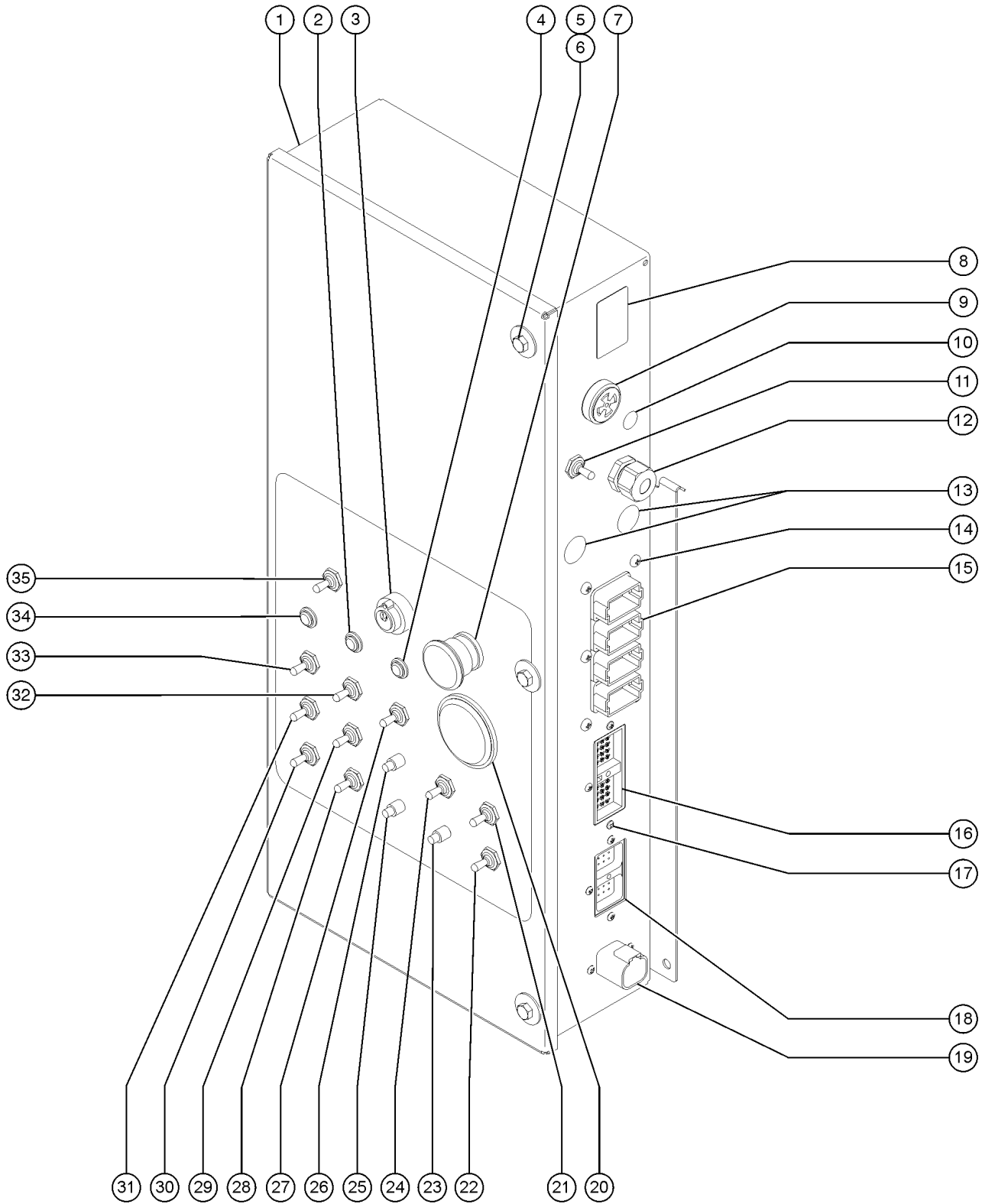
Item	Part No.	Description	Qty.	Item	Part No.	Description	Qty.
--	128580-S	SWITCH TOGGLE SPDT 3P MOM SHDR		--	128578	SCREW T-SWITCH PH/PH 6-32X1/4	
--	27246	BOOT,TOGGLE SWITCH,SHORT*		--	128582	SWITCH TOGGLE DPDT 3P MOM SHDR	
--	45384	PLUG,NYLON .50 BLACK DOMED <i>Gasoline/LPG models</i>		--	27246	BOOT,TOGGLE SWITCH,SHORT*	
21	147094	ASSY, CIRCUIT BREAKER 15A.....1					
--	147095	ASSY, CIRCUIT BREAKER 20A					
22	110280	PLUG,NYLON, .94X1.65 BLK DOMED.....1					
23	45384	PLUG,NYLON .50 BLACK DOMED					
24	128200	SWITCH TOGGLE ASSY SPDT 3P MOM.....1 <i>(Platform Level, includes boot and hardware)</i>					
--	128578	SCREW T-SWITCH PH/PH 6-32X1/4					
--	128580-S	SWITCH TOGGLE SPDT 3P MOM SHDR					
--	27246	BOOT,TOGGLE SWITCH,SHORT*					
25	128200	SWITCH TOGGLE ASSY SPDT 3P MOM.....1 <i>(Jib Boom Up/Down, S65 Models; includes boot and hardware)</i>					
--	128578	SCREW T-SWITCH PH/PH 6-32X1/4					
--	128580-S	SWITCH TOGGLE SPDT 3P MOM SHDR					
--	27246	BOOT,TOGGLE SWITCH,SHORT*					
26	128202	SWITCH TOGGLE ASSY DPDT 3P MOM.....1 <i>(PlatformRotate; includes boot and hardware)</i>					
--	128578	SCREW T-SWITCH PH/PH 6-32X1/4					
--	128582	SWITCH TOGGLE DPDT 3P MOM SHDR					
--	27246	BOOT,TOGGLE SWITCH,SHORT*					
27	128202	SWITCH TOGGLE ASSY DPDT 3P MOM.....1 <i>(Boom Ext/Ret; includes boot and hardware)</i>					
--	128578	SCREW T-SWITCH PH/PH 6-32X1/4					
--	128582	SWITCH TOGGLE DPDT 3P MOM SHDR					
--	27246	BOOT,TOGGLE SWITCH,SHORT*					
28	128202	SWITCH TOGGLE ASSY DPDT 3P MOM.....1 <i>(Boom Up/Down; includes boot and hardware)</i>					



305.1 Ground Control Box - View 1 (to SN 20420)  
(continued)

*This Page Intentionally Left Blank*

305.2 Ground Control Box - View 1 (from SN 20421)



305.2 Ground Control Box - View 1 (from SN 20421)

Item	Part No.	Description	Qty.	Item	Part No.	Description	Qty.
1	139786	GROUND CONTROL BOX W/DECAL.....	1	19	73717	CONN,RECEP 4 WAY,12-14GA FL***.....	1
2	824879	LIGHT,LED IND. RED 12V NH.....	1	--	60526	LOCK,RECEP 4 WAY,12-14GA	
		<i>(Machine malfunction)</i>		--	73711	TERM,DEUTSCH, PIN #12-14	
3	96008-S	KEYSWITCH,3 POS.W/KEYS***.....	1	20	19506	HOUR METER,10-80 VOLTS***.....	1
4	56298	LIGHT,INDICATOR,RED,14V.....	1	21	128200	SWITCH TOGGLE ASSY SPDT 3P MOM.....	1
		<i>(Check engine light)</i>				<i>(Glow plug, Diesel models)</i>	
5	6090	SCREW,HHC,1/4-20 X .75		--	128578	SCREW T-SWITCH PH/PH 6-32X1/4	
6	6638	WASHER,FLAT,USS,1/4"Y		--	128580	SWITCH TOGGLE SPDT 3P MOM SHDR	
7	66812	BUTTON,PUSH,RED MUSHROOM HEAD.....	1	--	27246	BOOT,TOGGLE SWITCH,SHORT*	
8	110280	PLUG,NYLON, .94X1.65 BLK DOMED.....	1	22	128200	SWITCH TOGGLE ASSY SPDT 3P MOM.....	1
9	45383	ALARM,WARBLE TONE 5-30 VDC***.....	1			<i>(Function enable)</i>	
		<i>(Does not include 72326 nut)</i>		--	128578	SCREW T-SWITCH PH/PH 6-32X1/4	
--	72326	NUT - PLASTIC,RING FOR ALARMS		--	128580	SWITCH TOGGLE SPDT 3P MOM SHDR	
10	45384	PLUG,NYLON .50 BLACK DOMED.....	1	--	27246	BOOT,TOGGLE SWITCH,SHORT*	
11	128203	SWITCH TOGGLE ASSY SPDT 2P MOM.....	1	23	147094	ASSY, CIRCUIT BREAKER 15A.....	1
		<i>(Test, Gas/LPG models)</i>				<i>(Engine electrical circuits)</i>	
--	128578	SCREW T-SWITCH PH/PH 6-32X1/4		24	128200	SWITCH TOGGLE ASSY SPDT 3P MOM.....	1
--	128583	SWITCH TOGGLE SPDT 2P MOM SHDR				<i>(Engine start)</i>	
--	27246	BOOT,TOGGLE SWITCH,SHORT*		--	128578	SCREW T-SWITCH PH/PH 6-32X1/4	
12	7056	CONN,SQUEEZE,1/2NPT .38-.50,SM.....	1	--	128580	SWITCH TOGGLE SPDT 3P MOM SHDR	
13	15243	PLUG,NYLON .875 BLACK DOMED.....	2	--	27246	BOOT,TOGGLE SWITCH,SHORT*	
14	73803	SCREW,SHM,PHP, #12 X .75		25	147094	ASSY, CIRCUIT BREAKER 15A.....	1
15	73736	CONN,RECEP 48 WAY,4 X 12.....	1			<i>(Control electrical circuits)</i>	
--	54255	LOCK,RECEP 12 WAY, 14-18GA		26	147095	ASSY, CIRCUIT BREAKER 20A.....	1
--	73713	TERM,NI PIN,S&F,16-18GA,REEL				<i>(Oil cooler &amp; options)</i>	
16	73754	CONN,RECEP 40 WAY,W/FLANGE.....	1	27	128204	SWITCH TOGGLE ASSY SPDT 2P MNT.....	1
						<i>(Fuel select, Gas/LPG models)</i>	
--	73751	CONN,PLUG 40 WAY,DRC SERIES		--	128578	SCREW T-SWITCH PH/PH 6-32X1/4	
17	49820	SCREW,PHILLIPS,PHM,6-32 X .5		--	128584	SWITCH TOGGLE SPDT 2P MNT SHDR	
18	73753	CONN,RECEP 24 WAY,W/FLANGE.....	1	--	27246	BOOT,TOGGLE SWITCH,SHORT*	
				28	128200	SWITCH TOGGLE ASSY SPDT 3P MOM.....	1
--	60757	PLUG,SEAL,12-18 GA				<i>(Platform level)</i>	
--	73714	TERM,NI SOC,S&F,16-18GA,REEL		--	128578	SCREW T-SWITCH PH/PH 6-32X1/4	
--	73749	CONN,PLUG 24 WAY,DRC SERIES		--	128580	SWITCH TOGGLE SPDT 3P MOM SHDR	



305.2 Ground Control Box - View 1 (from SN 20421)  
(continued)

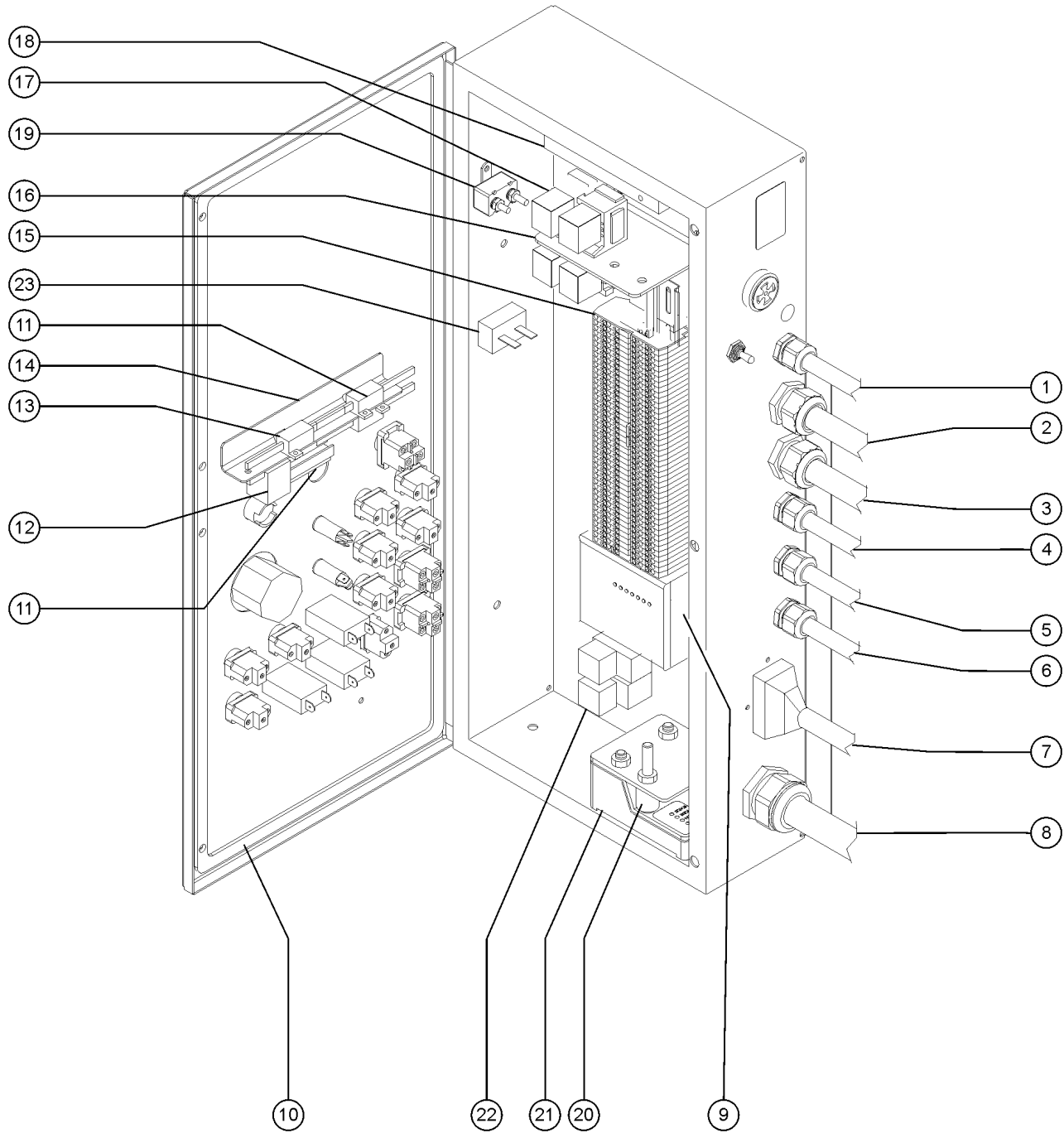
Item	Part No.	Description	Qty.
--	27246	BOOT,TOGGLE SWITCH,SHORT*	
29	128200	SWITCH TOGGLE ASSY SPDT 3P MOM.....1 <i>(Jib boom up/down (S-65))</i>	1
--	128578	SCREW T-SWITCH PH/PH 6-32X1/4	
--	128580	SWITCH TOGGLE SPDT 3P MOM SHDR	
--	27246	BOOT,TOGGLE SWITCH,SHORT*	
30	128202	SWITCH TOGGLE ASSY DPDT 3P MOM.....1 <i>(Platform rotate)</i>	1
--	128578	SCREW T-SWITCH PH/PH 6-32X1/4	
--	128582	SWITCH TOGGLE DPDT 3P MOM SHDR	
--	27246	BOOT,TOGGLE SWITCH,SHORT*	
31	128202	SWITCH TOGGLE ASSY DPDT 3P MOM.....1 <i>(Turntable rotate)</i>	1
--	128578	SCREW T-SWITCH PH/PH 6-32X1/4	
--	128582	SWITCH TOGGLE DPDT 3P MOM SHDR	
--	27246	BOOT,TOGGLE SWITCH,SHORT*	
32	128202	SWITCH TOGGLE ASSY DPDT 3P MOM.....1 <i>(Boom ext/ret)</i>	1
--	128578	SCREW T-SWITCH PH/PH 6-32X1/4	
--	128582	SWITCH TOGGLE DPDT 3P MOM SHDR	
--	27246	BOOT,TOGGLE SWITCH,SHORT*	
33	128202	SWITCH TOGGLE ASSY DPDT 3P MOM.....1 <i>(Boom up/down)</i>	1
--	128578	SCREW T-SWITCH PH/PH 6-32X1/4	
--	128582	SWITCH TOGGLE DPDT 3P MOM SHDR	
--	27246	BOOT,TOGGLE SWITCH,SHORT*	
34	56298	LIGHT,INDICATOR,RED,14V.....1	1
35	128201	SWITCH TOGGLE ASSY DPDT 2P MOM.....1 <i>(Auxiliary power)</i>	1
--	128578	SCREW T-SWITCH PH/PH 6-32X1/4	
--	128581	SWITCH TOGGLE DPDT 2P MOM SHDR	
--	27246	BOOT,TOGGLE SWITCH,SHORT*	

---

305.2 Ground Control Box - View 1 (from SN 20421)  
(continued)

***This Page Intentionally Left Blank***

306.1 Ground Control Box - View 2 (to SN 20420)

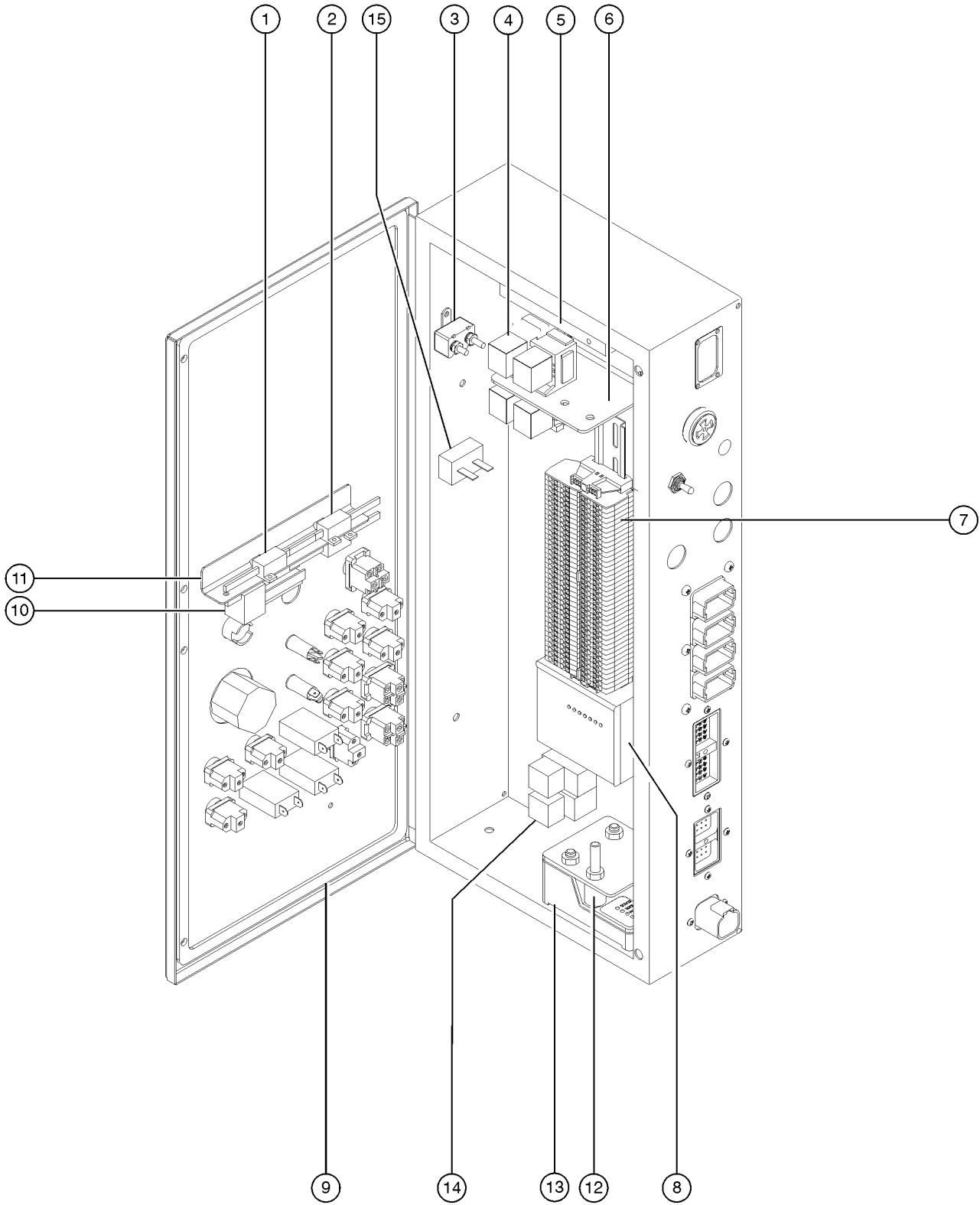


306.1 Ground Control Box - View 2 (to SN 20420)

Item	Part No.	Description	Qty.	Item	Part No.	Description	Qty.
--	88813	HARNESS,GROUND BOX WIRING		--	23404	NUTSERT,1/4-20,STEEL CAD PLTD	
1	88930	HARNESS,12/3,12V TO PLAT PIG T.....1	1	--	6638	WASHER,FLAT,USS,1/4"Y	
2	88934	HARNESS,18/19,BOOM CBL 2,PIG T.....1	1	--	7339	SCREW,HHC,1/4-20 X .5	
3	88935	HARNESS,18/19,BOOM CBL 1,PIGT.....1	1	17	34052	RELAY,SPDT,12V(AUTO) PLUG IN**.....2 <i>Gasoline/LPG models</i>	2
4	88835	HARNESS,EXT/RET PIGTAIL.....1	1	--		RELAY SOCKET,AUTO,RETAINER*** <i>individual part no longer available, now part of kit 34053</i>	
5	88834	HARNESS,CABLE TENSION PIGTAIL.....1	1	--	18605	NUT,NYLOCK,8-32	
6	94342	WIRE,10 GA,BROWN,GXL***.....1	1	--	34052	RELAY,SPDT,12V(AUTO) PLUG IN**.....4 <i>Diesel models</i>	4
--	94343	WIRE,12 GA,RED,GXL***		--	96010	SCREW,PHILLIPS,PHM,8-32 X.25**	
7	88809	HARNESS,PERKINS ENGINE.....1 <i>Perkins models</i>	1	18	128045	MODULE,LOAD SENSE 2007.....1	1
--	61225	RELAY,12VDC,70AMP,SEALED <i>(glow plug)</i>		--	54365	SCREW,PHIL,PHM,10-32 X .5,SSTL	
--	61226	RELAY SOCKET,70AMP <i>(glow plug)</i>		--	6178	NUT,NYLOCK,10-32	
--	88810	HARNESS,DEUTZ ENGINE.....1 <i>Deutz models</i>	1	19	128935	CIRCUIT BKR 10A TYPE 2 METAL <i>from SN 19406</i>	
--	88833	HARNESS,ENGINE,GM S60/S65....1 <i>GM models</i>	1	20	102357	RESISTOR ASSY, LINCOLN WELDER.....1 <i>models with welder option</i>	1
8	88808	HARNESS,FUNCTION MANIFOLD.....1	1	20	106140	BRACKET,1K OHM 10-TURN POT.....1 <i>models with welder option</i>	1
9	56057	MODULE,IGNITION/START,12/24V.1 <i>Diesel models</i>	1	21	106657	MODULE,CONTROL,HI AMP.....1 <i>models with welder option</i>	1
10	30782	GASKET,GROUND CONTROL BOX.....1	1	22	33607	RELAY,OMRON,DPDT,12V.....2 <i>models with welder option</i>	2
11	40614	RESISTOR,5 OHM,25W***.....2	2	--	33608	RELAY,SOCKET,OMRON.....2 <i>models with welder option</i>	2
12	19274	RELAY,SPDT,12V(AUTO)**.....6	6	23	106637	MODULE,TIME DELAY ON BREAK 4S.....1 <i>models with welder option</i>	1
13	27287	RESISTOR,10 OHM,25 WATT.....2	2				
14	94632	BRACKET,RELAY & RESISTOR....1	1				
15	88805	TERMINAL RAIL,S60/S65					
--	216791	TERMINAL BLOCK,WIELAND.....43	43				
--	216793	TERMINAL BLOCK END PLATE					
--	33422	DIN RAIL,17"					
--	74913	END STOP, DIN RAIL,SCREW CLAMP.....2	2				
--	74917	JUMPER COMB, 2-WAY,WIELAND.....2	2				
--	88811	TERMINAL SINGLE BLOCK 2 WIRE.....2	2				
16	54534	ANGLE,RELAY MNT,W/NUTSERTS,PNT.....1	1				



306.2 Ground Control Box - View 2 (from SN 20421)

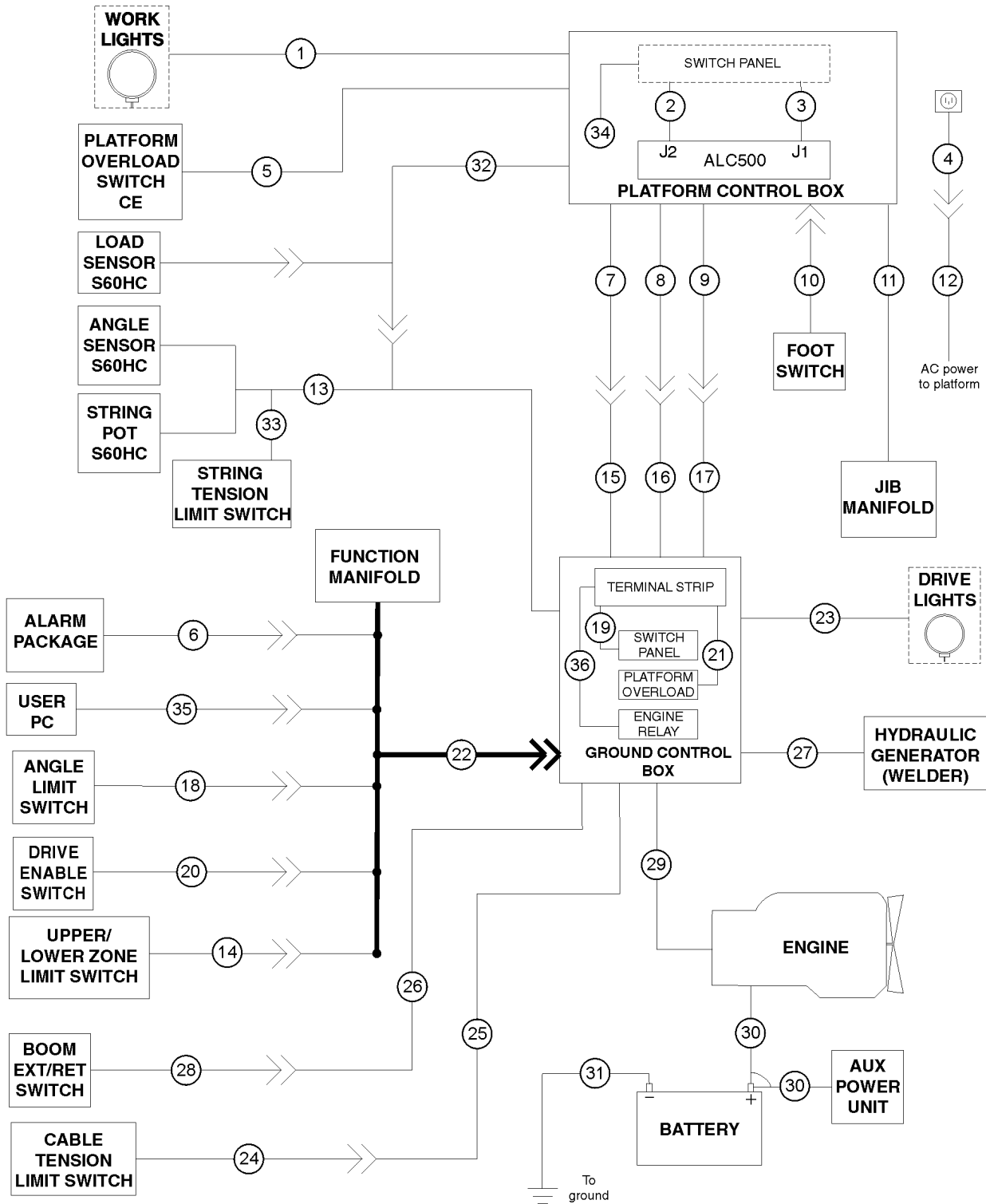




306.2 Ground Control Box - View 2 (from SN 20421)

Item	Part No.	Description	Qty.	Item	Part No.	Description	Qty.
--	121846	RELAY,TIME DELAY,2 SEC,10A <i>models with load sense</i>		12	106140	BRACKET,1K OHM 10-TURN POT.....1 <i>models with welder option</i>	1
1	27287	RESISTOR,10 OHM,25 WATT.....2	2	13	106657	MODULE,CONTROL,HI AMP.....1 <i>models with welder option</i>	1
2	40614	RESISTOR,5 OHM,25W***.....2	2	14	33607	RELAY,OMRON,DPDT,12V.....2 <i>models with welder option</i>	2
3	128935	CIRCUIT BKR 10A TYPE 2 METAL.....1	1	--	33608	RELAY,SOCKET,OMRON.....2 <i>models with welder option</i>	2
4A	34052	RELAY,SPDT,12V(AUTO) PLUG IN**.....2 <i>Gas/LPG models</i>	2	15	106637	MODULE,TIME DELAY ON BREAK 4S.....1 <i>models with welder option</i>	1
--	18605	NUT,NYLOCK,8-32					
4B	34052	RELAY,SPDT,12V(AUTO) PLUG IN**.....4 <i>Diesel models</i>	4				
--		RELAY SOCKET,AUTO,RETAINER*** <i>individual part no longer available, now part of kit 34053</i>					
--	96010	SCREW,PHILLIPS,PHM,8-32 X.25**					
5	128045	MODULE,LOAD SENSE 2007.....1	1				
--	54365	SCREW,PHIL,PHM,10-32 X .5,SSTL					
--	6178	NUT,NYLOCK,10-32					
6	54534	ANGLE,RELAY MNT,W/NUTSERTS,PNT.....1	1				
--	23404	NUTSERT,1/4-20,STEEL CAD PLTD					
--	6638	WASHER,FLAT,USS,1/4"Y					
--	7339	SCREW,HHC,1/4-20 X .5					
7	217043	ASSY, TERMINAL RAIL.....1	1				
--	217044	TERMINAL BLOCK, WIELAND....43	43				
--	217045	TERMINAL BLOCK, END PLATE....1	1				
--	217046	KIT, TERMINAL BLOCK					
--	33422	DIN RAIL,17".....1	1				
--	74913	END STOP, DIN RAIL,SCREW CLAMP.....2	2				
--	74917	JUMPER COMB, 2-WAY,WIELAND.....4	4				
--	74918	JUMPER COMB, 3-WAY,WIELAND.....1	1				
8	56057	MODULE,IGNITION/START,12/24V.1	1				
9	121599	GASKET,GBOX,S80/85 2008.....1 <i>(replaced 30782)</i>	1				
10	19274	RELAY,SPDT,12V(AUTO)**.....1	1				
11	94632	BRACKET,RELAY & RESISTOR.....1	1				
12	102357	RESISTOR ASSY, LINCOLN WELDER.....1 <i>models with welder option</i>	1				

307.1 Wire Harness Diagram (to SN 20420)



307.1 Wire Harness Diagram (to SN 20420)

Item	Part No.	Description	Qty.	Item	Part No.	Description	Qty.
--	28131	WIRE LOOM,1.25 DIA.		13	110293	HARNESS,HIGH CAPACITY OPTION.....	1
--	49219	SLEEVE,NYLON,2.19 ID,BULK.....48-inches <i>near platform; 48 inches required</i>		14	88929	HARNESS,LS,OP,PRIMARY VELOCITY.....	1
1	88800	HARNESS,WORK LIGHT.....	1	15	88935	HARNESS,18/19,BOOM CBL 1,PIGT.....	1
2	88806	HARNESS,PBOX WIRING***.....	1	16	88934	HARNESS,18/19,BOOM CBL 2,PIG T.....	1
--	119867	WIRING KIT,JIB TIME DELAY IC S-65		17	88930	HARNESS,12/3,12V TO PLAT PIG T.....	1
3A	94650	HARNESS,PBOX JOYSTICKS..... <i>to SN 14781</i>	1	18	88926	HARNESS,LS,OP,PRIMARY ANGLE.....	1
3B	119671	HARNESS,PBOX JOYSTICKS..... <i>from SN 14782</i>	1	19	88813	HARNESS,GROUND BOX WIRING.....	1
4A	107906	HARNESS,POWER TO PLAT,NON JIB.....	1	20	88928	HARNESS,LS,OP,DRIVE ENABLE.....	1
4B	88837	HARNESS,POWER TO PLAT,JIB S-65		21	88840	HARNESS,LOAD SENSE,GBOX.....	1
5	94549	SWITCH,LOAD LIMIT <i>CE option</i>		22	88808	HARNESS,FUNCTION MANIFOLD.....	1
6	88814	HARNESS,ALARM PACKAGE.....	1	23	88815	HARNESS,DRIVE LIGHT ACC.....	1
7A	119850	HARN,18/19 CABLE NJGY&BK.....	1	24	88927	HARNESS,LS,OP,CABLE TENSION.....	1
7B	119852	HARN,18/19 CABLE JIB GY&BK S-65		25	88834	HARNESS,CABLE TENSION PIGTAIL.....	1
8A	119851	HARN,18/19 CABLE NJGR&BR.....	1	26	88835	HARNESS,EXT/RET PIGTAIL.....	1
8B	119853	HARN,18/19 CABLE JIB GR&BR.....	1	27	106607	HARNESS,LINCOLN WELDER***...1	
9A	107909	HARNESS, 12/3, 12V TO PLAT S-60		28	88836	HARNESS,LS,OP,PRIMARY EXT/RET.....	1
9B	88933	HARNESS,12/3,12V TO PLAT,JIB S-65		29	88809	HARNESS,PERKINS ENGINE..... <i>Perkins models</i>	1
10		REF: Foot Switch Assembly..... <i>(refer to 701.1)</i>	1	--	101890	HARNESS,FORD ENGINE,EFI,2004 <i>Ford models; to SN 14053</i>	
11	101080	HARNESS,JIB SELECT MANIFOLD.....	1	--	119035	HARNESS,FORD DSG423,S60 <i>Ford models; from SN 14054 to SN 14622</i>	
11A	119867	WIRING KIT,JIB TIME DELAY IC S-65		--	119483	FUEL JUMPER HARNESS <i>Ford models; from SN 19677</i>	
--	19274	RELAY,SPDT,12V(AUTO)** S-65		--	119777	HARNESS,FORD DSG423,S60 <i>Ford models; from SN 14623</i>	
--	43181	CAPACITOR,TIME DELAY S-65		--	122053	HARNESS,S60 TURBO DEUTZ SPEC <i>Deutz models; from SN 20315</i>	
12	88838	HARNESS,POWER TO PLAT PIGTAIL.....	1	--	88810	HARNESS,DEUTZ ENGINE <i>Deutz models</i>	
				--	88833	HARNESS,ENGINE,GM S60/S65 <i>GM models</i>	

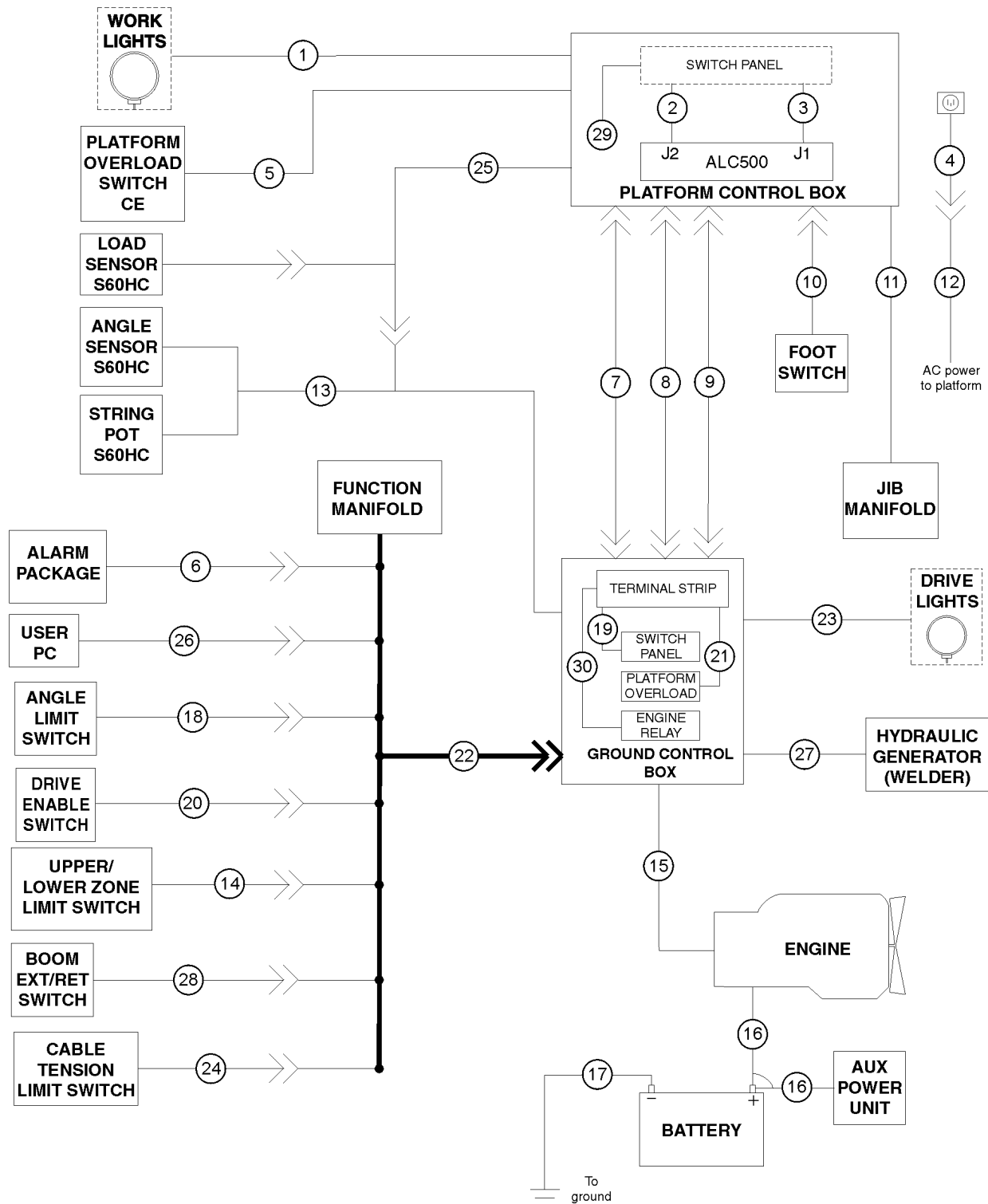


307.1 Wire Harness Diagram (to SN 20420)  
(continued)

Item	Part No.	Description	Qty.
30	88801	BATTERY CABLE, POSITIVE, RED.....	1
31	88802	BATTERY CABLE, NEGATIVE, BLACK.....	1
32	110390	HARNESS, BOOM CABLE HIGH CAP.....	1
33	110389	HARNESS, LS SAFETY WIRE BREAK..... <i>to SN 19038</i>	1
34	110391	HARNESS, PBOX HI-CAPACITY OPT.....	1
35	110803	HARNESS PROGRAM CAN PLUS1..... <i>S-60HC (from SN 14191)</i>	1
--	110987	SOFTWARE, S60HC, TCON, +1..... <i>S-60HC</i>	1
--	110988	SOFTWARE, S60HC, SCON, +1..... <i>S-60HC</i>	1
--	119607	SOFTWARE, S60HC, DIAGNOSTIC, +1.1 <i>S-60HC</i>	1
36	88952	HARNESS, GBOX & RELAY WIRES DSL	

***This Page Intentionally Left Blank***

307.2 Wire Harness Diagram (from SN 20421)



307.2 Wire Harness Diagram (from SN 20421)

Item	Part No.	Description	Qty.	Item	Part No.	Description	Qty.
--	28131	WIRE LOOM,1.25 DIA.		14	139835	HARNESS, LS, OP, PRI, VELOCITY.....	1
--	49219	SLEEVE,NYLON,2.19 ID,BULK.....48-inches near platform; 48 inches required		15	88809	HARNESS,PERKINS ENGINE..... Perkins models	1
1	88800	HARNESS,WORK LIGHT.....	1	--	119483	FUEL JUMPER HARNESS Ford models; from SN 19677	
2	88806	HARNESS,PBOX WIRING***.....	1	--	119777	HARNESS,FORD DSG423,S60 Ford models	
--	119867	WIRING KIT,JIB TIME DELAY IC		--	122053	HARNESS,S60 TURBO DEUTZ SPEC Deutz models	
3	119671	HARNESS,PBOX JOYSTICKS.....	1	--	88810	HARNESS,DEUTZ ENGINE Deutz models	
4A	139732	HARNESS, AC POWER TO PLAT NJ.....S-60	1	--	88833	HARNESS,ENGINE,GM S60/S65 GM models	
4B	139731	HARNESS, AC POWER TO PLAT JIB.....S-65	1	16	88801	BATTERY CABLE,POSITIVE,RED.....	1
5	121848	ASSY,LS,LOAD SENSE,38.5 IN (replaced 94549)		17	88802	BATTERY CABLE,NEGATIVE,BLACK.....	1
--	147031	HARNESS, LOAD SENSE		18	139832	HARNESS, LS, OP, PRI ANGLE.....	1
6	147300	HARNESS, ALARM PACKAGE.....	1	19	147171	HARNESS, GBOX WIRING.....	1
7A	139736	HARNESS, 18/19, CABLE NJ.....S-60	1	20	139834	HARNESS,LS,DRIVE ENABLE.....	1
7B	139735	HARNESS, 18/19, CABLE JIB.....S-65	1	21	139741	HARNESS, LOAD SENSE, GBOX...1	
8A	139738	HARNESS, 18/22, CABLE NJ.....S-60	1	--	147255	HARNESS, JUMPER, LOAD SENSE	
8B	139737	HARNESS, 18/22, CABLE JIB.....S-65	1	22	139739	HARNESS, FUNCTION MANIFOLD.....	1
9A	139734	HARNESS, 12/3 12V TO PLAT NJ.....S-60	1	--	147255	HARNESS, JUMPER, LOAD SENSE	
9B	139733	HARNESS, 12/3 12V TO PLAT JIB.....S-65	1	23	88815	HARNESS,DRIVE LIGHT ACC.....	1
10		REF: Foot Switch Assembly..... (refer to 701.1)	1	24	139833	HARNESS, LS, OP, CABLE TENSION.....	1
11	101080	HARNESS,JIB SELECT MANIFOLD.....S-65	1	25	110390	HARNESS,BOOM CABLE HIGH CAP..... HC option	1
--	19274	RELAY,SPDT,12V(AUTO)** S-65		26	110803	HARNESS PROGRAM CAN PLUS1..... HC option	1
--	43181	CAPACITOR,TIME DELAY S-65		--	110987	SOFTWARE,S60HC,TCON,+1 HC option	
12	88838	HARNESS,POWER TO PLAT PIGTAIL.....	1	--	110988	SOFTWARE,S60HC,SCON,+1 HC option	
13	147246	HARNESS, HIGH CAPACITY OPTION..... HC option	1	--	119607	SOFTWARE,S60HC,DIAGNOSTIC,+1 HC option	
				27	106607	HARNESS,LINCOLN WELDER***...1	
				28	139836	HARNESS, LS, OP, PRIMARY.....1	



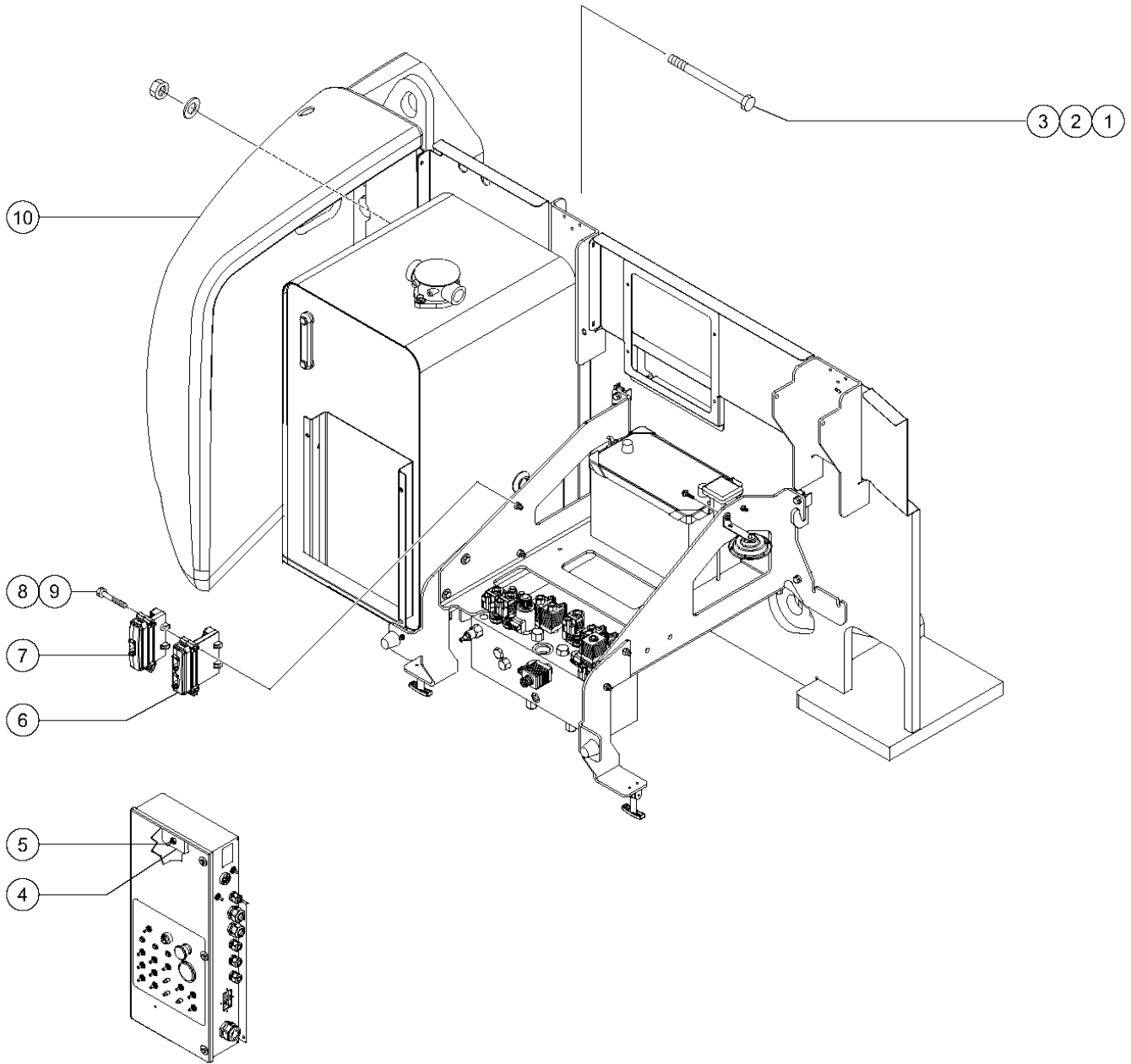
307.2 Wire Harness Diagram (from SN 20421)  
 (continued)

Item	Part No.	Description	Qty.
29	110391	HARNES, PBOX HI-CAPACITY OPT..... <i>HC option</i>	1
30	139742	HARN, GBOX & RELAY WIRES, DIESEL..... <i>Deutz and Perkins models</i>	1
--	139743	HARN, GBOX & RELAY WIRES, FORD <i>Ford models</i>	



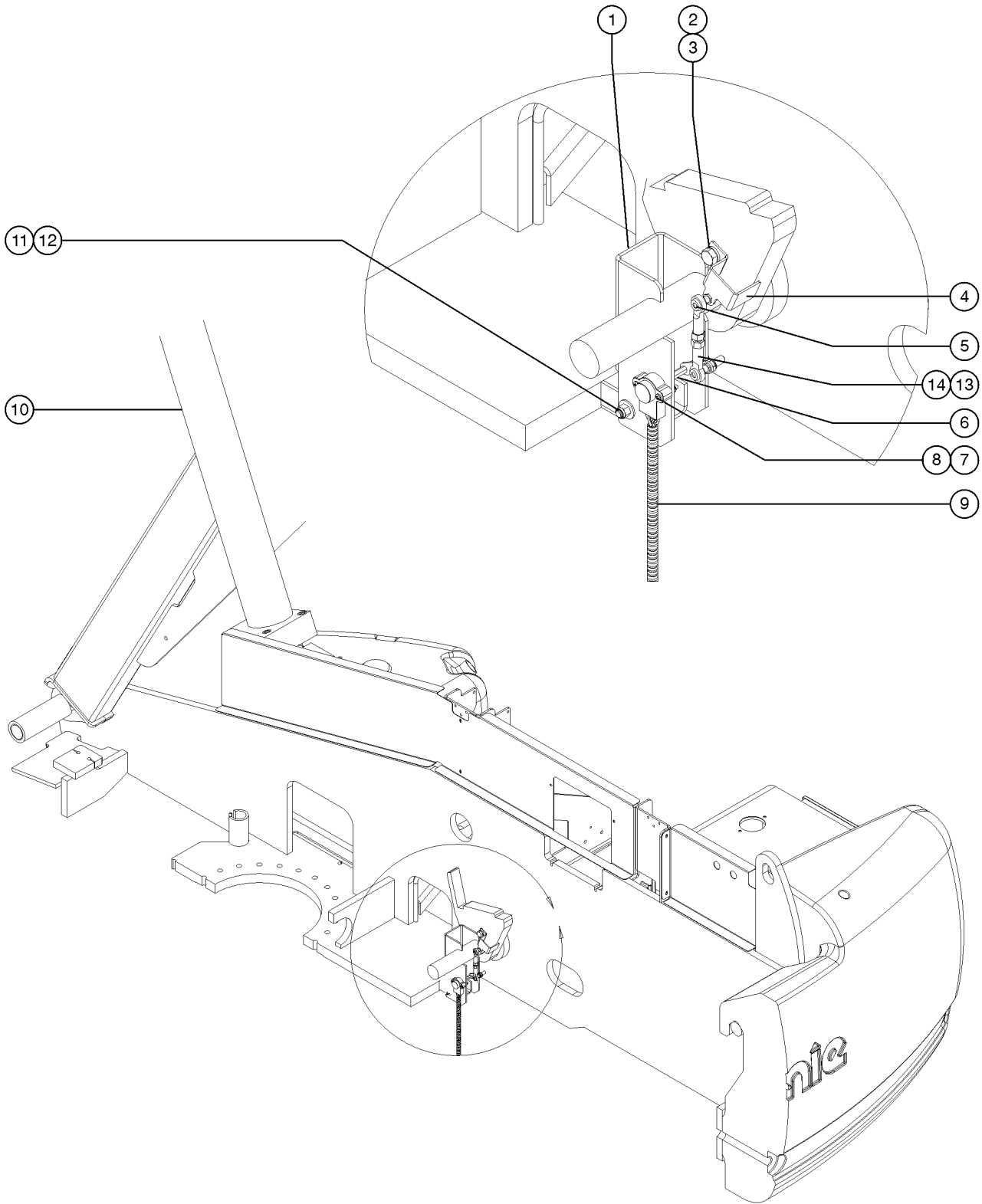
***This Page Intentionally Left Blank***

308.1 S-60 HC Turntable - View 1



Item	Part No.	Description	Qty.
1	73928	SCREW,HHC,1-8 X 11,GRD 5***.....1	1
2	38859	WASHER,FLAT,USS,1",Y	
3	29764	NUT,NYLOCK,1-8	
4	119246	FORMING,CAL TOGGLE SWITCH.....1	1
5	13480-S	SWITCH,TOGGLE,DPDT,2POS MOMEN.....1	1
6	110991	CONTROLLER ASSY TCON S60HC.....1	1
7	110992	CONTROLLER ASSY SCON S60HC.....1	1
8	74254	SCREW,HHC,1/4-20 X 4.5	
9	6091	NUT,NYLOCK,1/4-20	
10	88889	COUNTERWEIGHT,S60/65 5500LBS**.....1	1

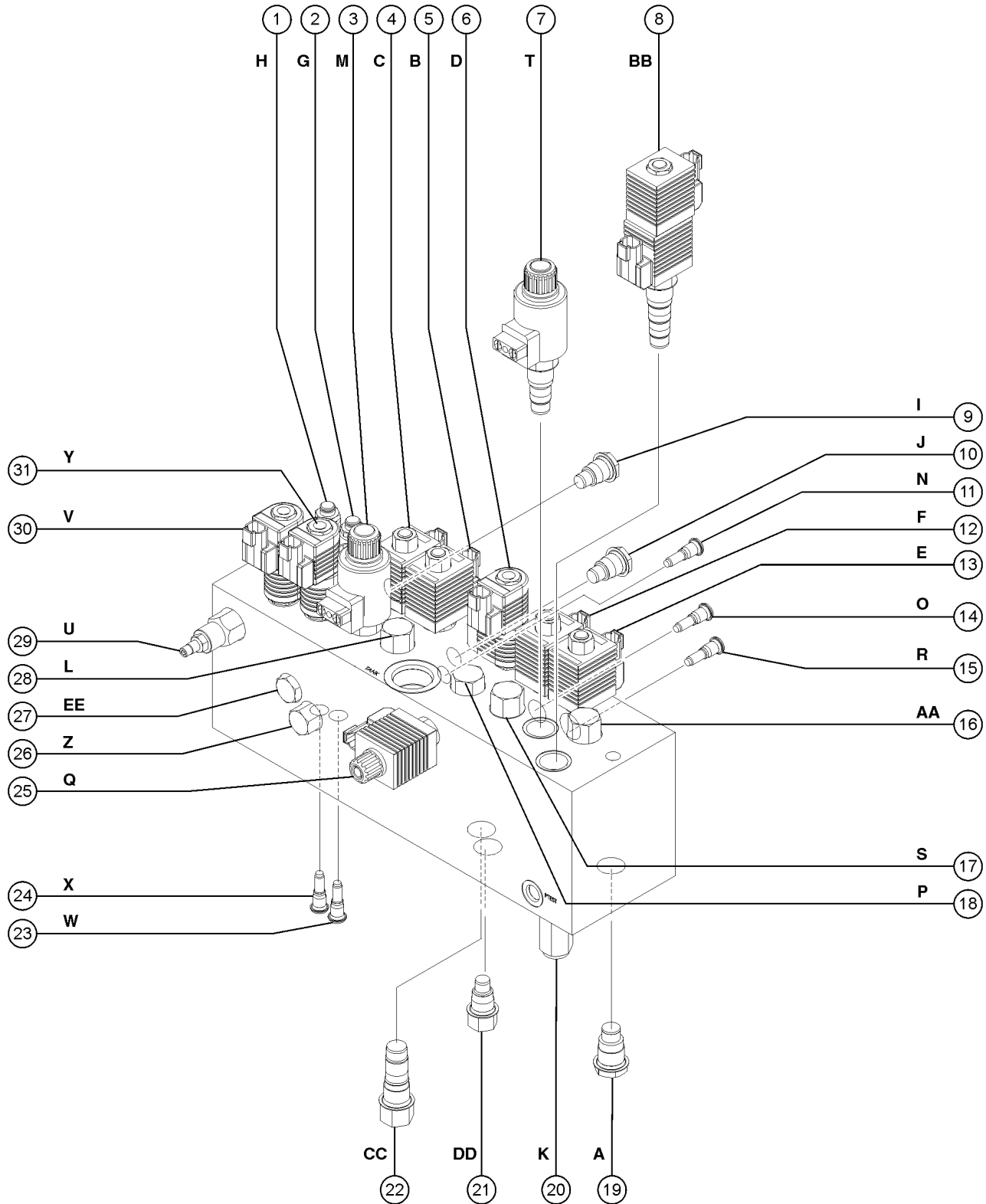
309.1 S-60 HC Turntable - View 2



## 309.1 S-60 HC Turntable - View 2

Item	Part No.	Description	Qty.
1	106883P	FORMING, SENSOR BRACKET.....1	
2	10597	SCREW,HHC,1/2-13 X 1.25 GR5.....1	
3	6033	WASHER,LOCK,0.5".....1	
4	119044	FORMING,ANGLE LINKAGE BRACKET.....1	
5A	110329	BALL JOINT, 3/8-24 FEMALE.....2 <i>qty (2) to SN 20288</i>	
--	110755	NUT,HEX,JAM,3/8-24	
--	5408	NUT,LP NYLOCK,3/8-24	
5B	110329	BALL JOINT, 3/8-24 FEMALE.....1 <i>qty (1) from SN 20289</i>	
--	110755	NUT,HEX,JAM,3/8-24	
--	5408	NUT,LP NYLOCK,3/8-24	
6	106886	ROTATOR SHAFT.....1	
7	6179	SCREW,RHM,10-32 X 1.25.....2	
8	6178	NUT,NYLOCK,10-32.....2	
9	94980	SENSOR,DUAL OUTPUT,ANGLE...1 <i>(calibration required after replacement)</i>	
10	107825	CYLINDER, LIFT, S60HC.....1	
11	6175	SCREW,HHC,3/8-16 X 1.....2	
12	4828	NUT,NYLOCK,3/8-16.....2	
13	139440	BALL JOINT, 3/8-24 LEFT HAND.....1 <i>from SN 20289</i>	
--	139441	NUT,HEX,JAM,3/8-24, LEFT HAND	
--	5408	NUT,LP NYLOCK,3/8-24	
14	110328	THREADED ROD, 3/8-24X2".....1 <i>to SN 20288</i>	
--	139366	ADJ ROD, LH/RH, 3/8-24 <i>from SN 20289</i>	

401.1 Function Manifold



401.1 Function Manifold

Item	Part No.	Description	Qty.	Item	Part No.	Description	Qty.
--	88782	MANIFOLD,FUNCTION to SN 20420		--	21935	COIL, 12V, 19972/21623/29069	
--	139963	MANIFOLD,FUNCTION from SN 20421		--	45914	O-RING, DO1 VALVE	
--	94499	ACCUMULATOR,10CC,1000PSI,#6SAE		--	45921	RETAINER-N.C.PROPOR.SOLENOID	
1	62256	VALVE,CB 3:1 3500 PSI.....1 Platform level down		--	89310	SEAL KIT, SOLENOID VALVE	
--	110202	SEAL KIT, VALVE, #10		7B	107753	VALVE,PROPORTIONAL Boom up/down circuit; from SN 20421	
2	62256	VALVE,CB 3:1 3500 PSI.....1 Platform level up		--	45921	RETAINER-N.C.PROPOR.SOLENOID	
--	110202	SEAL KIT, VALVE, #10		--	58303	COIL,VALVE,PROPORTIONAL***	
3A	48641	VALVE,PROPORTIONAL, 12V **.....1 Boom extend/retract; to SN 20420		--	89310	SEAL KIT, SOLENOID VALVE	
--	21935	COIL, 12V, 19972/21623/29069		8	62260	VALVE,SOLENOID 3 POS,4WAY*** .....1 Steer left/right	
--	45914	O-RING, DO1 VALVE		--	110196	SEAL KIT, VALVE, #10	
--	45921	RETAINER-N.C.PROPOR.SOLENOID		--	52943	NUT,SOLENOID VALVE	
--	89310	SEAL KIT, SOLENOID VALVE		--	89861	COIL, 10V DC (D10, 20 WATT)	
3B	107753	VALVE,PROPORTIONAL.....1 Boom extend/retract; from SN 20421		9	62257	VALVE,CHECK, 30 PSI.....1 Differential sensing circuit, platform rotate left and jib boom up (S-65, S-65 Trax)	
--	45921	RETAINER-N.C.PROPOR.SOLENOID		--	74902	SEAL KIT, VALVE	
--	58303	COIL,VALVE,PROPORTIONAL***		10	62257	VALVE,CHECK, 30 PSI.....1 Differential sensing circuit, platform rotate right and jib boom down (S-65, S-65 Trax)	
--	89310	SEAL KIT, SOLENOID VALVE		--	74902	SEAL KIT, VALVE	
4	89309	VALVE - SOLENOID 2POSITION 3WA.....1 Boom retract		11	27807	VALVE,CHECK*** .....1 Differential sensing circuit, boom extend/retract	
--	45912	NUT,SOLENOID,2POS 3WAY		--	110200	SEAL KIT, VALVE, #4	
--	62275	COIL,10V		12	89309	VALVE - SOLENOID 2POSITION 3WA.....1 Boom down	
--	89310	SEAL KIT, SOLENOID VALVE		--	45912	NUT,SOLENOID,2POS 3WAY	
5	89309	VALVE - SOLENOID 2POSITION 3WA.....1 Boom extend		--	62275	COIL,10V	
--	45912	NUT,SOLENOID,2POS 3WAY		--	89310	SEAL KIT, SOLENOID VALVE	
--	62275	COIL,10V		13	89309	VALVE - SOLENOID 2POSITION 3WA.....1 Boom up/down circuit	
--	89310	SEAL KIT, SOLENOID VALVE		--	45912	NUT,SOLENOID,2POS 3WAY	
6	89307	VALVE,SOLENOID 3POS 4WAY*....1 Turntable rotate		--	62275	COIL,10V	
--	52943	NUT,SOLENOID VALVE		--	89310	SEAL KIT, SOLENOID VALVE	
--	62273	COIL,GREEN W/ 2 PIN CONNECTOR*		14	27807	VALVE,CHECK*** .....1 Differential sensing circuit, turntable rotate	
--	72047	SEAL KIT, SOLENOID VALVE					
--	89311	SPACER, DUAL COIL					
7A	48641	VALVE,PROPORTIONAL, 12V **.....1 Boom up/down circuit; to SN 20420					



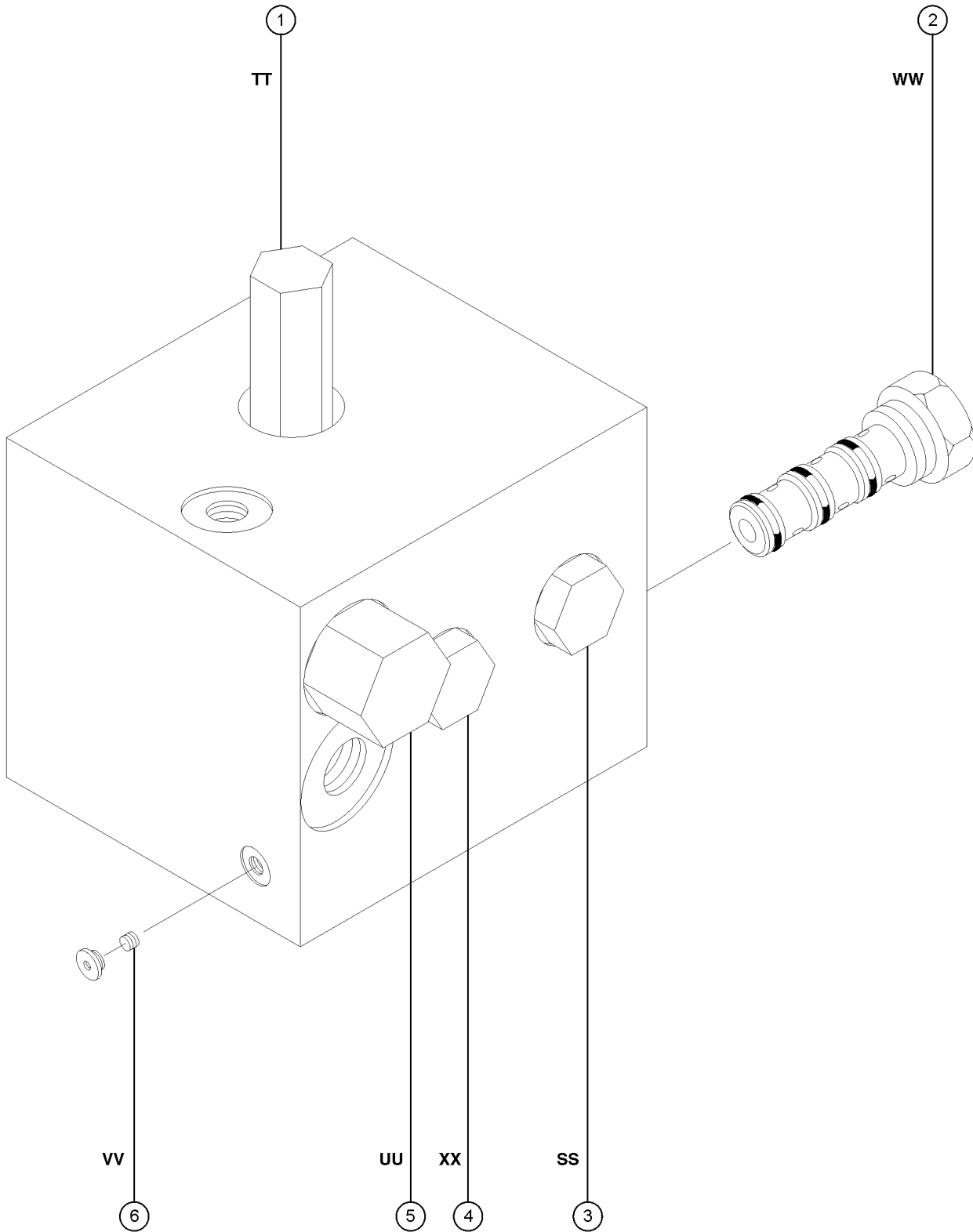
401.1 Function Manifold  
(continued)

Item	Part No.	Description	Qty.	Item	Part No.	Description	Qty.
--	110200	SEAL KIT, VALVE, #4		--	89736	SEAL KIT, PROPORTIONAL VALVE	
15	27807	VALVE,CHECK*** .....1 <i>Differential sensing circuit, boom up/down</i>	1	26	31100	VALVE,FLOW REGULATOR 0.6GPM.....1 <i>Platform rotate and jib boom (S-65, S-65 Trax)</i>	1
--	110200	SEAL KIT, VALVE, #4		--	74902	SEAL KIT, VALVE	
16	111705	VALVE,FLOW REGULATOR 3.5 GPM** .....1 <i>Steer left/right circuit</i>	1	27	62257	VALVE,CHECK, 30 PSI.....1 <i>Platform rotate and jib boom circuit (S-65, S-65 Trax) (prevents hydraulic hoses from draining back to tank)</i>	1
--	110202	SEAL KIT, VALVE, #10		--	74902	SEAL KIT, VALVE	
17	94599	VALVE,DIFFERENTIAL SENSING,110.....1 <i>Boom up/down circuit</i>	1	28	94599	VALVE,DIFFERENTIAL SENSING,110.....1 <i>Boom extend/retract circuit</i>	1
--	110197	SEAL KIT, VALVE, #10		--	110197	SEAL KIT, VALVE, #10	
18	27802	VALVE,DIFFERENTIAL SENSING*** .....1 <i>Turntable rotate circuit</i>	1	29	62258	VALVE,NEEDLE*** .....1 <i>Platform level circuit</i>	1
--	110197	SEAL KIT, VALVE, #10		--	110194	SEAL KIT, VALVE, #10	
19	27836	VALVE,CHECK,5 PSI.....1 <i>Blocks flow from auxiliary pump to function pump</i>	1	30	89307	VALVE,SOLENOID 3POS 4WAY*....1 <i>Platform level up/down</i>	1
--	110194	SEAL KIT, VALVE, #10		--	52943	NUT,SOLENOID VALVE	
20	45489	VALVE,RELIEF 3000 PSI*** .....1 <i>System relief</i>	1	--	62273	COIL,GREEN W/ 2 PIN CONNECTOR*	
--	110194	SEAL KIT, VALVE, #10		--	72047	SEAL KIT, SOLENOID VALVE	
21	32975	VALVE,FLOW REGULATOR,.1 GPM.....1 <i>Bleeds off differential sensing valves to tank</i>	1	--	89311	SPACER, DUAL COIL	
--	74902	SEAL KIT, VALVE		31	89307	VALVE,SOLENOID 3POS 4WAY*....1 <i>Platform rotate and jib boom up/down (-S65, S-65 Trax)</i>	1
22	27804	VALVE,DIFFERENTIAL SENSING*** .....1 <i>Differential sensing circuit, meters flow to functions</i>	1	--	52943	NUT,SOLENOID VALVE	
--	110201	SEAL KIT, VALVE, #10		--	62273	COIL,GREEN W/ 2 PIN CONNECTOR*	
23	27807	VALVE,CHECK*** .....1 <i>Differential sensing circuit, platform level up</i>	1	--	72047	SEAL KIT, SOLENOID VALVE	
--	110200	SEAL KIT, VALVE, #4		--	89311	SPACER, DUAL COIL	
24	27807	VALVE,CHECK*** .....1 <i>Differential sensing circuit, platform level down</i>	1				
--	110200	SEAL KIT, VALVE, #4					
25	94598	VALVE,PROPORTIONAL *** .....1 <i>Turntable rotate left/right</i>	1				
--	62274	COIL,12V					
--	62276	NUT,SOLENOID VALVE					



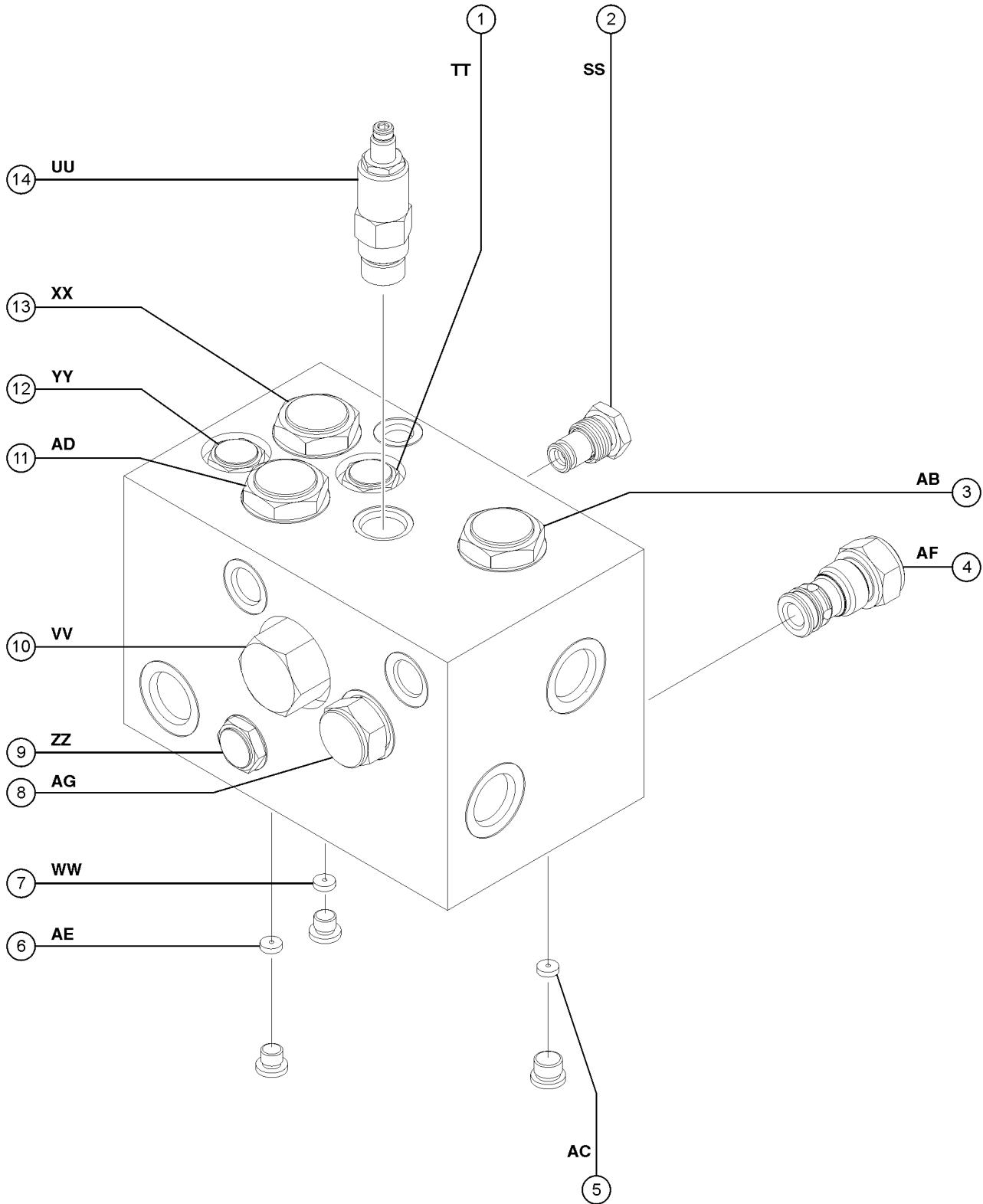
*This Page Intentionally Left Blank*

402.1 Traction Manifold, 2WD



Item	Part No.	Description	Qty.
1	94758	VALVE,RELIEF,280PSI.....1 <i>Charge Pressure circuit</i>	1
--	110194	SEAL KIT, VALVE, #10	
2	52726	VALVE,FLOW DIVIDER/COMBINER.....1 <i>Controls flow to drive motors in forward and reverse</i>	1
--	84135	SEAL KIT, VALVE	
3	27836	VALVE,CHECK,5 PSI.....1 <i>Drive circuit</i>	1
--	110194	SEAL KIT, VALVE, #10	
4	27836	VALVE,CHECK,5 PSI.....1 <i>Drive circuit</i>	1
--	110194	SEAL KIT, VALVE, #10	
5	27761	VALVE,SHUTTLE.....1 <i>Charge Pressure circuit that directs hot oil out of low pressure side of drive pump</i>	1
--	84134	SEAL KIT, VALVE	
6	101440	ORIFICE PLUG, 0.070".....1 <i>Drive motor circuit</i>	1

403.1 Traction Manifold, 4WD (to serial number 21231)

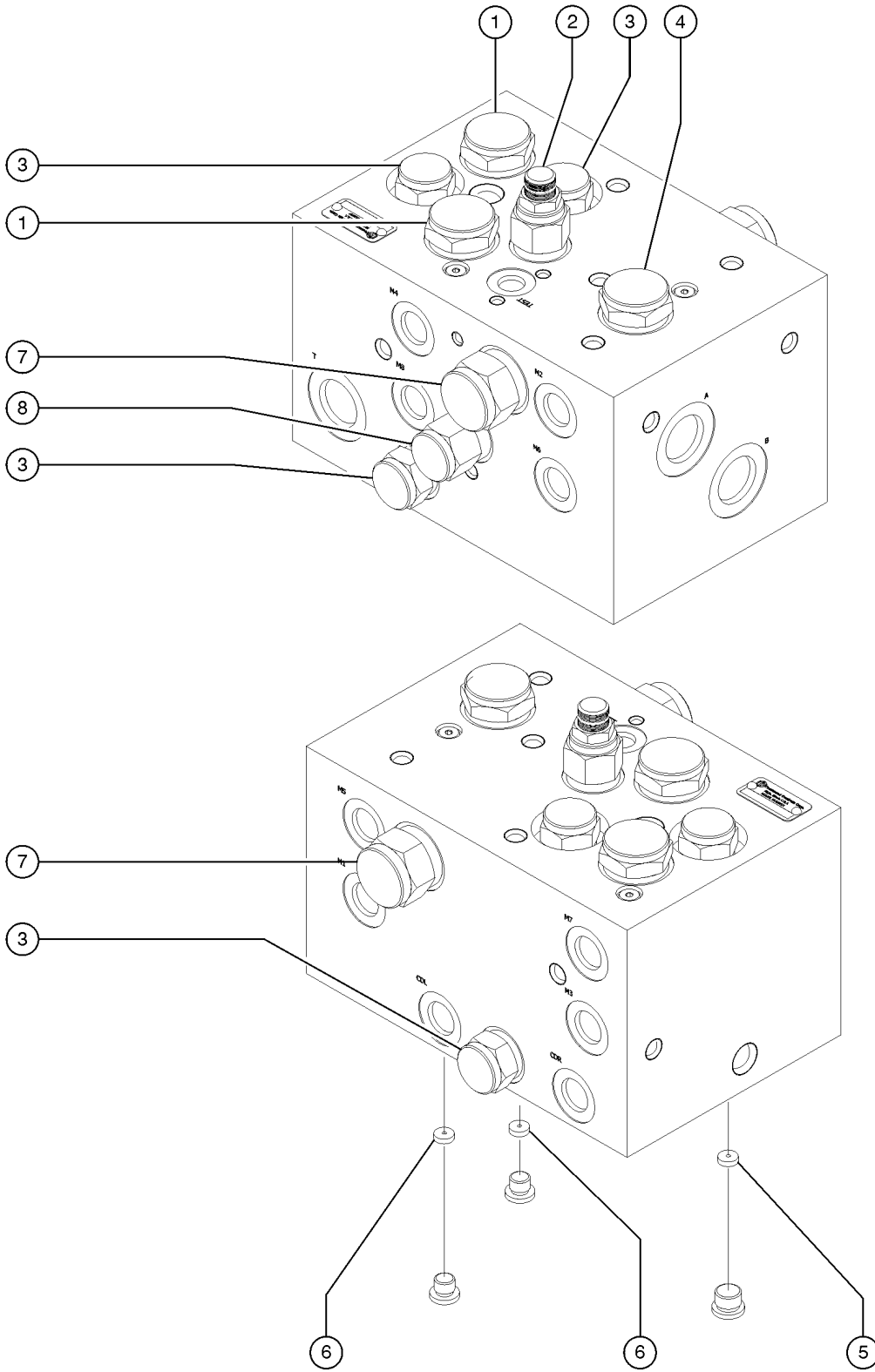


403.1 Traction Manifold, 4WD (to serial number 21231)

Item	Part No.	Description	Qty.	Item	Part No.	Description	Qty.
--		Ref. MANIFOLD, TRACTION, 4WD*** (refer to 403.2)		--	128416	SEAL KIT	
1	94757	VALVE, CHECK, 3 PSI*** .....1 Steer End Drive motor circuit (88784)	1	13	94752	VALVE FLOW DIVIDER/COMBINER.....1 Controls flow to steer end drive motors in forward and reverse (88784)	1
--	128416	SEAL KIT		--	128417	SEAL KIT	
2	94757	VALVE, CHECK, 3 PSI*** .....1 Non-steer End Drive motor circuit (88784)	1	14	101446	VALVE, RELIEF 280 PSI.....1 Charge pressure circuit (88784)	1
--	128416	SEAL KIT		--	128416	SEAL KIT	
3	94754	VALVE, FLOW DIVIDER/COMBINER.....1 Controls flow to flow divider/combiner valves (88784)	1				
--	128417	SEAL KIT					
4	94756	VALVE, CHECK, 2.5 PSI.....1 Non-steer End Drive motor circuit (88784)	1				
--	128418	SEAL KIT					
5	94751	ORIFICE, 0.040" .....1 Equalizes pressure on both sides of flow divider/combiner valve 3	1				
6	94751	ORIFICE, 0.040" .....1 Equalizes pressure on both sides of flow divider/combiner valve 11	1				
7	94751	ORIFICE, 0.040" .....1 Equalizes pressure on both sides of flow divider/combiner valve 13	1				
8	94756	VALVE, CHECK, 2.5 PSI.....1 Steer End Drive motor circuit (88784)	1				
--	128418	SEAL KIT					
9	94757	VALVE, CHECK, 3 PSI*** .....1 Steer End Drive motor circuit (88784)	1				
--	128416	SEAL KIT					
10	94753	VALVE, SHUTTLE, 40 PSI.....1 Charge pressure circuit that directs hot oil out of low pressure side of drive pump (88784)	1				
--	128417	SEAL KIT					
11	94752	VALVE FLOW DIVIDER/COMBINER.....1 Controls flow to steer end drive motors in forward and reverse (88784)	1				
--	128417	SEAL KIT					
12	94757	VALVE, CHECK, 3 PSI*** .....1 Non-steer End Drive motor circuit (88784)	1				



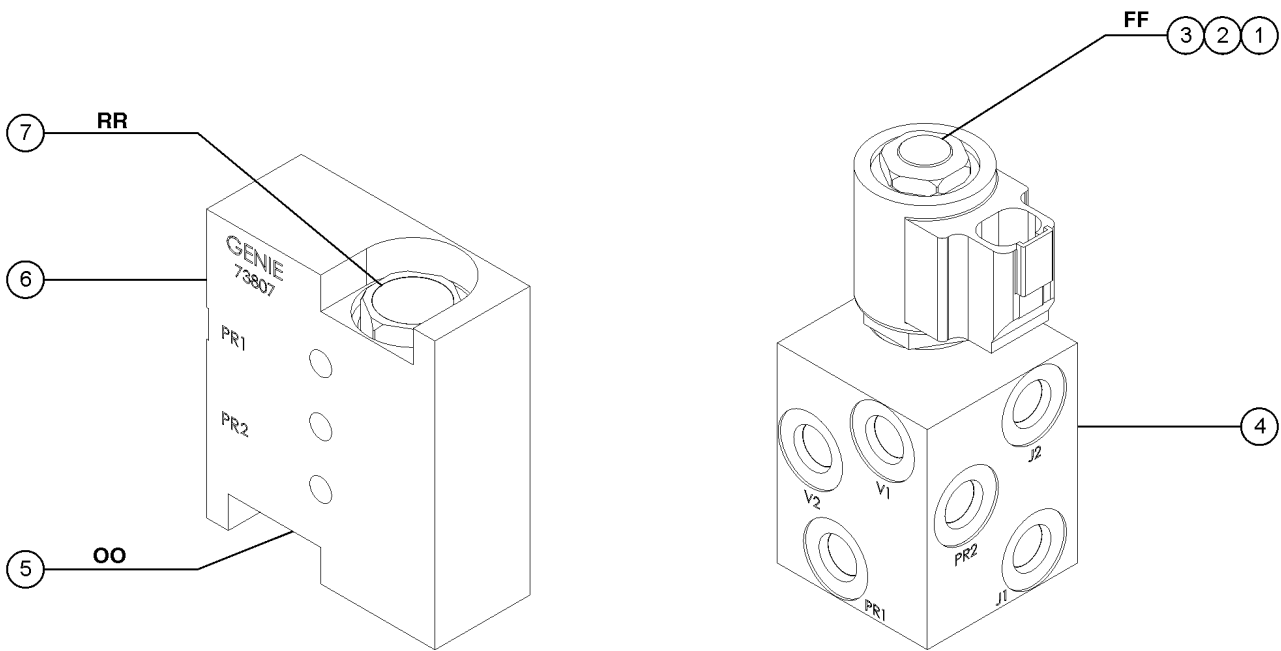
403.2 Traction Manifold, 4WD (from serial number 21232)



403.2 Traction Manifold, 4WD (from serial number 21232)

Item	Part No.	Description	Qty.
--	139712	MANIFOLD,TRACTION,4WD*** <i>(replaced 88784 at SN 21232)</i>	
1	139717	VALVE, FLOW DIVIDE/COMB,24GPM.....	2
--	139512	SEAL KIT, VALVE	
2	139718	VALVE, RELIEF, 280PSI.....	1
--	139528	SEAL KIT, VALVE	
3	139527	VALVE, CHECK, 5PSI.....	3
4	139508	VALVE, FLOW DIVIDE/COMBINE 1:1.....	1
5	139719	ORFICE, 0.040"..... <i>(equalizes pressure on both sides of flow divider/combiner valve 3)</i>	1
6	139719	ORFICE, 0.040"..... <i>(equalizes pressure on both sides of flow divider/combiner valve 1)</i>	1
7	139716	VALVE, CHECK.....	2
--	139727	SEAL KIT, VALVE	
8	139715	VALVE, SHUTTLE, FIXED.....	1
--	139726	SEAL KIT, VALVE	

404.1 Platform Rotate and Jib Boom/Platform Rotate Manifold

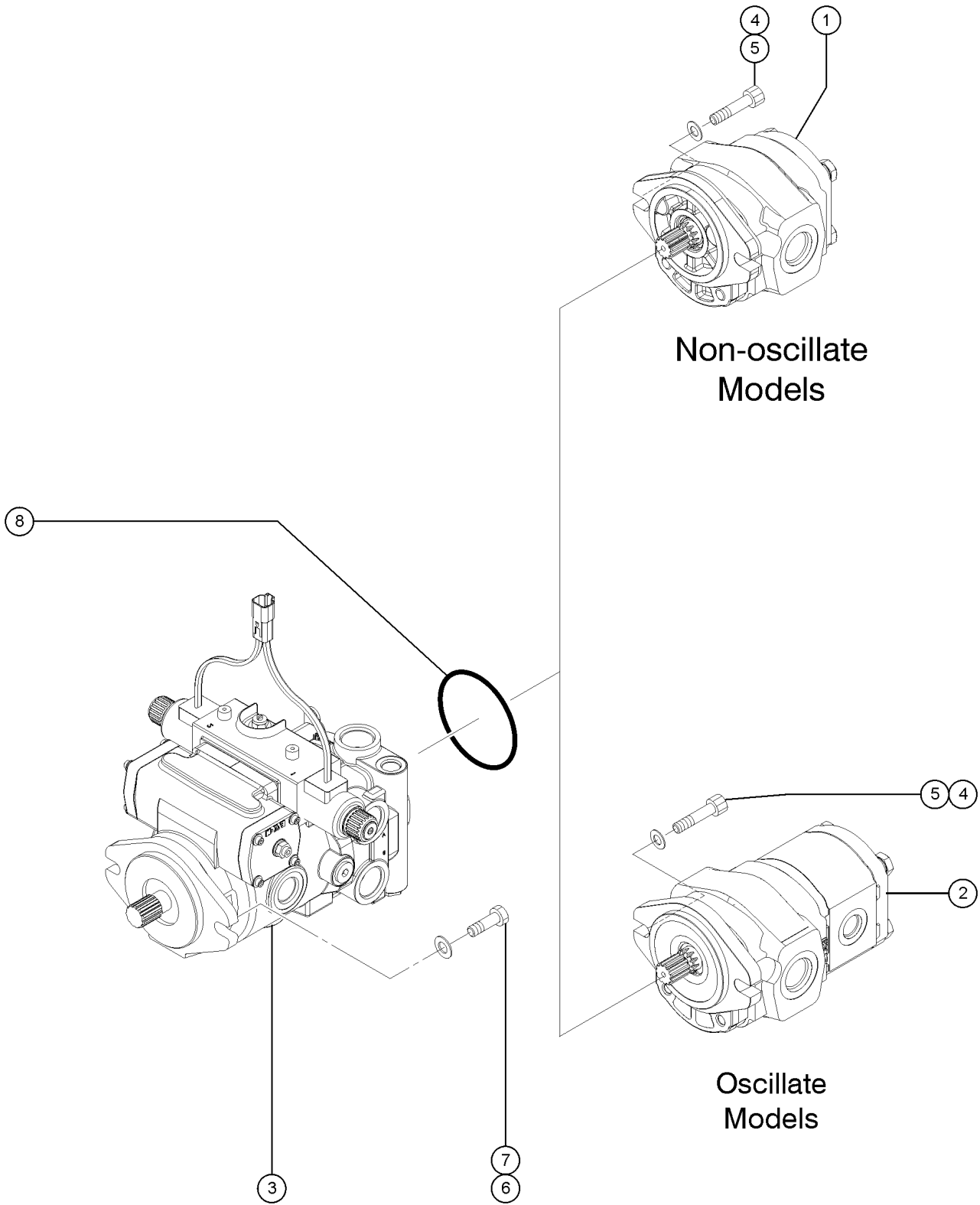




## 404.1 Platform Rotate and Jib Boom/Platform Rotate Manifold

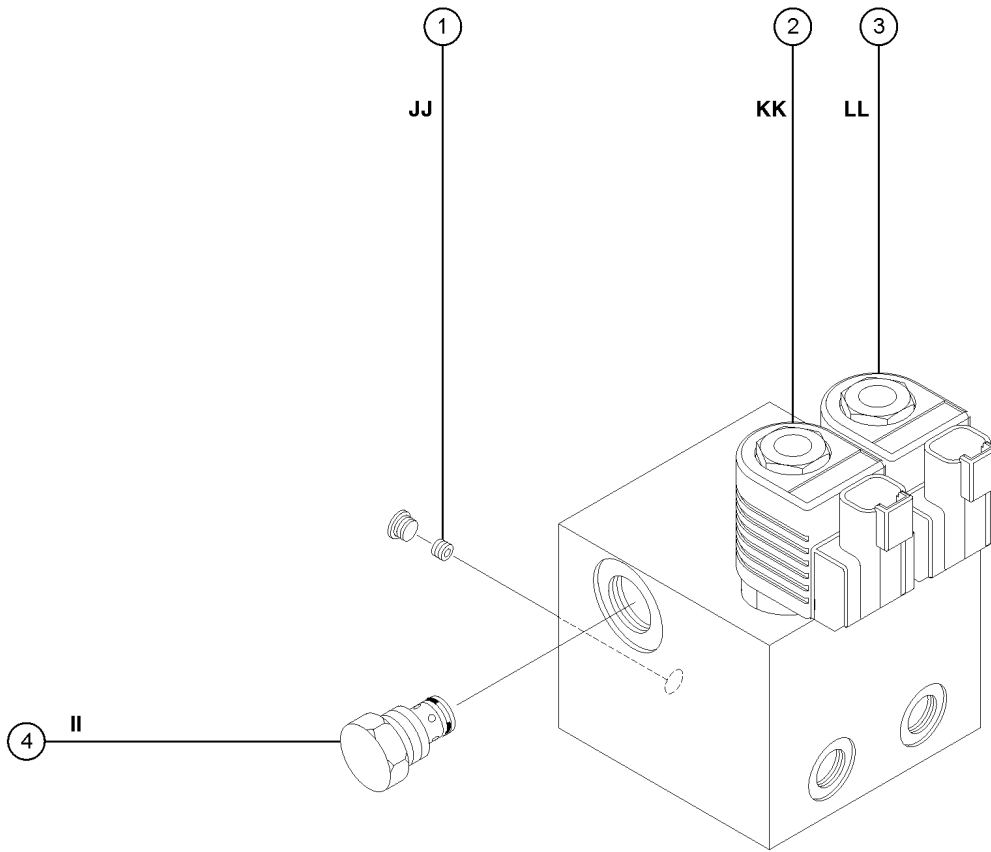
Item	Part No.	Description	Qty.
1	44174	NUT-COIL SHORT.....	1
2	89862	VALVE-SOLENOID,2POS 3WAY,JIB** .....	1
		<i>Platform rotate/Jib boom select</i>	
--	89864	SEAL KIT,SOLENOID VALVE, SV07	
3	89863	COIL,10V DC,DEUTCH W/DIODE***.....	1
--	104759	COIL,12VDC #8 DTSCH IP69 ECOIL	
4	88786	MANIFOLD,JIB SELECT W/QD PLUG* .....	1
--	128419	SEAL KIT	
5	62506	VALVE - COUNTERBALANCE**.....	1
		<i>Platform rotate left</i>	
--	43018	SEAL KIT (39345)	
6	73807	MANIFOLD,ROTATOR,CB***.....	1
--	62507	O-RING, ROTATOR MANIFOLD	
7	62506	VALVE - COUNTERBALANCE**.....	1
		<i>Platform rotate right</i>	
--	43018	SEAL KIT (39345)	

405.1 Pumps



Item	Part No.	Description	Qty.
1	139799	PUMP,LIFT,1 SECTION.....	1
--	147550	KIT, SEAL, PUMP, 1 SECTION <i>for pump 139799; verify pump part number prior to ordering</i>	
--	81669	SEAL KIT,11 TOOTH PUMP*** <i>to SN 20339; for pump 94354; verify pump part number prior to ordering</i>	
2A	139822	KIT,GEAR PUMP,S60*** .....1 <i>to SN 20339</i>	1
--	94918	KIT,SEAL,PUMP 81103 <i>to SN 20339; for pump 81103; verify pump part number prior to ordering</i>	
2B	139801	PUMP,LIFT,2 SECTION*** <i>from SN 20340</i>	
--	147549	KIT, SEAL, PUMP, 2 SECTION <i>for pump 139822 and 139801; verify pump part number prior to ordering</i>	
3	77788	PUMP,PISTON,49CC*** .....1	1
--	101294	KIT,CHARGE PUMP	
--	106835	CONTROLLER W/O COILS (77788)	
--	106836	O-RING,STEM,EATON	
--	106837	NUT,STEM,EATON***	
--	107813	SPACER,EATON PUMP SHAFT SEAL** <i>check pump date code, for pumps after 031505</i>	
--	107814	SEAL,SHAFT,EATON PUMP***	
--	107815	SNAP RING,PUMP SHAFT SEAL***	
--	107842	KIT,PUMP SHAFT SEAL W/INST*** <i>includes PNs 107812, 107813, 107814, 107815</i>	
--	128423	KIT,CHARGE PUMP HOUSING	
--	43683	O-RING,2-042 N674-70***	
--	58431	SEAL KIT,PUMP SHAFT (EATON)*** <i>check pump date code, if after 031505, must also order 107813 qty 1</i>	
--	82431	HOSE ASM-JCAF310-06-41	
--	88957	COIL,DUAL,12V DEUT,49CC PUMP**	
4	33988	SCREW,SHC,3/8-16 X 1	
5	5397	WASHER,FLAT,USS,5/16",Y	
6	8177	SCREW,HHC,1/2-13 X 1.5	
7	13066	WASHER,FLAT,.5 HARDENED	
8	43683	O-RING,2-042 N674-70*** .....1	1

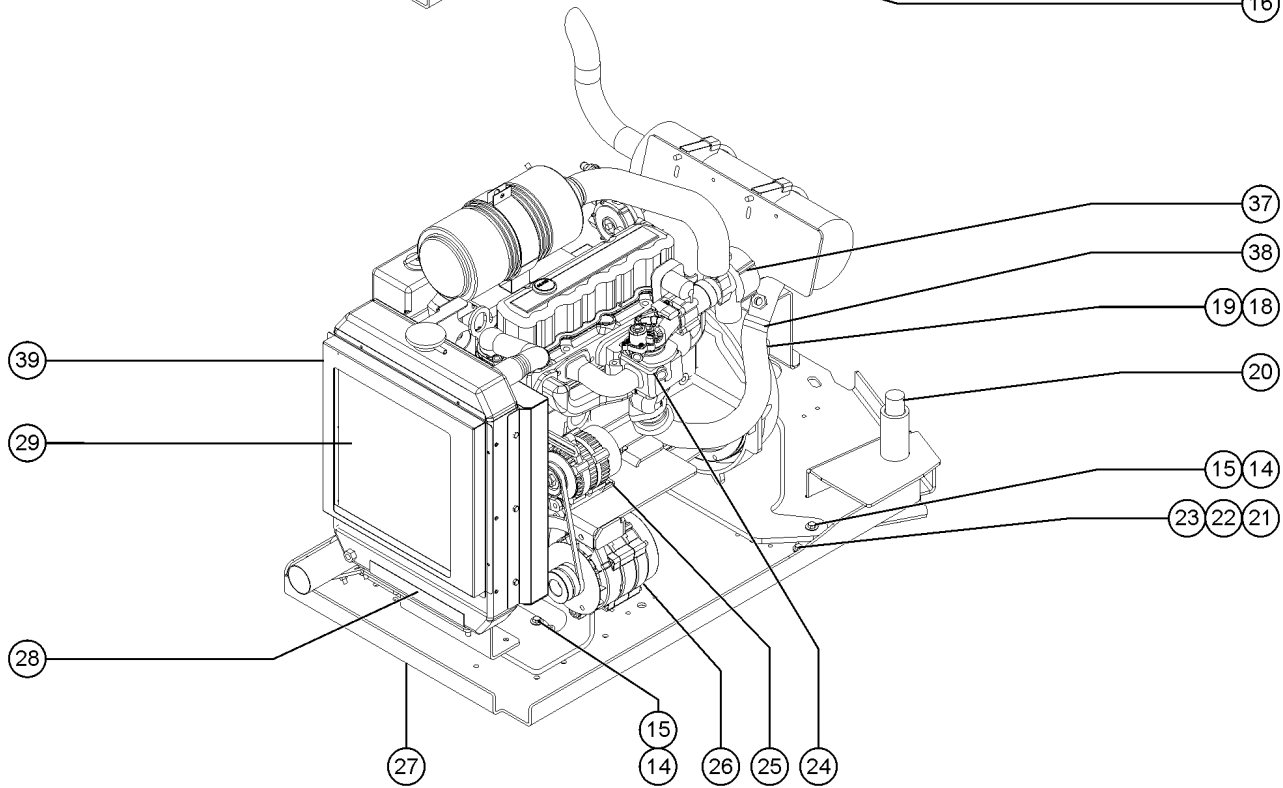
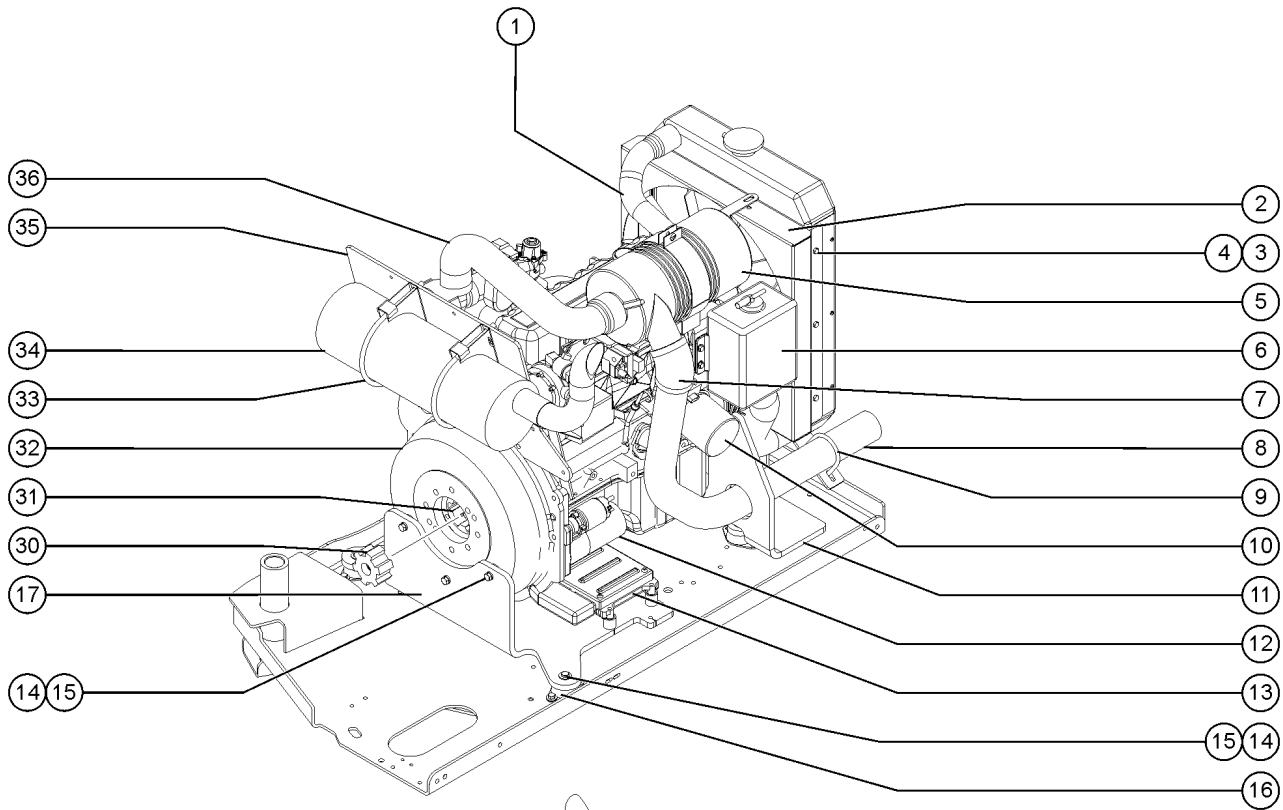
406.1 Brake and 2 Speed Manifold



406.1 Brake and 2 Speed Manifold

Item	Part No.	Description	Qty.
1	94764	ORIFICE,0.025".....1 <i>Turntable rotation brake release</i>	1
2	94760	VALVE-SOLENOID,10V,W/OUT COIL*.....1 <i>Brake release</i>	1
--	128419	SEAL KIT	
--	94759	NUT,SOLENOID	
--	94765	COIL-10V DC***	
3	94760	VALVE-SOLENOID,10V,W/OUT COIL*.....1 <i>Two-speed motor shift</i>	1
--	128419	SEAL KIT	
--	94759	NUT,SOLENOID	
--	94765	COIL-10V DC***	
4	94761	VALVE,CHECK.....1 <i>Brake release circuit</i>	1
--	128420	SEAL KIT	

501.1 GM 3.0 Liter

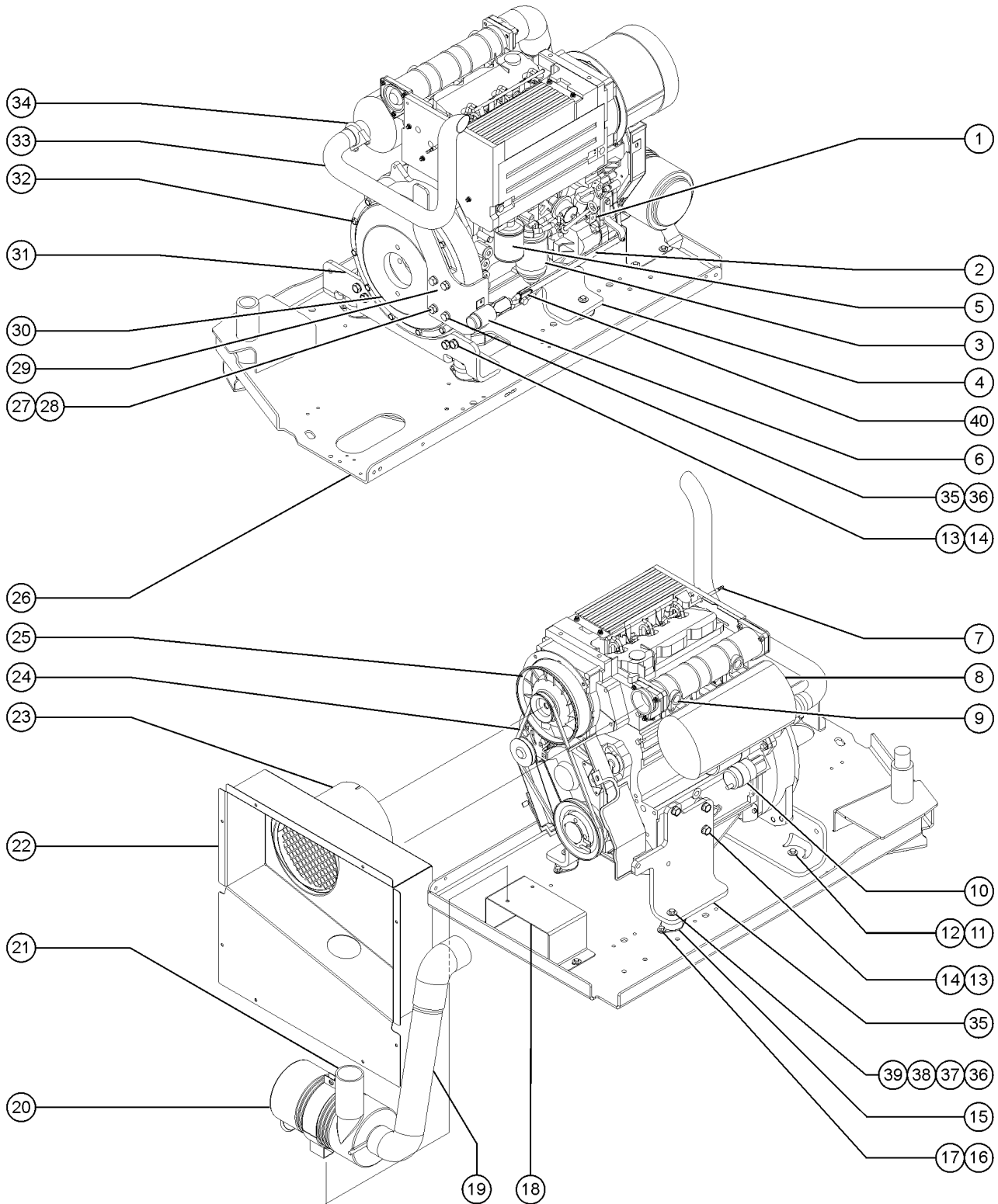


501.1 GM 3.0 Liter

Item	Part No.	Description	Qty.	Item	Part No.	Description	Qty.
--	119984	FILTER,FUEL <i>(replaced 77751)</i>		20	81724	PIN,1.25 X 13.25 IN,CHAMFER.....1	
--	65620	PCV VALVE-GM 3.0L ENGINE		21	13000	SCREW,HHC,5/16-18 X 1.25	
--	65622	SPARK PLUG-GM 3.0L ENGINE		22	5397	WASHER,FLAT,USS,5/16",Y	
--	65624	CAP-DISTRIBUTOR, GM 3.0L		23	6782	NUT,NYLOCK,5/16-18	
--	65625	ROTOR-DISTRIBUTOR, GM 3.0L		24	94904	THROTTLE BODY INJ. BONNET.....1	
--	77550	DISTRIBUTOR/GM 3.0L ENGINE		25	77822	ALTERNATOR, GM3.0L ENGINE.....1	
--	77750	FUEL PUMP (GM 3.0L)		26	88403	GENERATOR,WELD	
--	77850	OIL PRESSURE SWITCH GM 3.0L		--	102681	PULLY, GNRTR,220V,50HZ(89908) <i>for 89908 generator</i>	
--	94902	SENSOR COOLANT TEMP		--	146062	PULLY,GNRTR,120V,60HZ(60707) <i>for 60707 generator</i>	
1	70254	RADIATOR HOSE,UPPER-GM.....1		--	60707	GENERATOR,3500W,120V,60HZ**	
--	70255	RADIATOR HOSE,LOWER-GM		--	89908	GENERATOR,3000W,220V,50HZ***	
2	70262P	FORMING,RADIATOR SHROUD.....1		27		Ref. Engine Tray Assembly (refer to 304.1)	
3	21019	SCREW,PHIL,PHM,10-24 X.5,SEMS		28	70261P	FORMING,RADIATOR SUPPORT...1	
4	6146	WASHER,FLAT,MS,#10,Y		29	110304	RADIATOR,FORD/PERKINS*** .....1	
5	111634	AIR CLEANER,FORD,T3.....1		--	15086	WASHER,FLAT,.375 X 1.5 X .125	
--	227988	VACUATOR VALVE		--	48425	NUT,LOCKING-LRG.FLANGE,3/8-16	
--	38922	ELBOW,90DEG.1/8MPT-5/16 BARB		--	65473	CAP,RADIATOR,PERKINS/FORD	
--	77295	FILTER ELEMENT,AIR,NOLFF LPG		--	65621	BELT-FAN, GM 3.0L ENGINE	
6	70367	BOTTLE,COOLANT RECOVERY,3.7*** .....1		--	77821	FAN KIT ,GM 3.0 ENGINE	
--	115431	CAP ASSY,COOLANT BOTTLE***		30	70294	COUPLER,HUB,15 TOOTH GM 3.0L.....1	
7	33361	ELBOW,45 DEGR,RUBBER,2.5" I.D.....1		31	81426	FLYWHEEL FLANGE,AUTO STYLE GM.....1	
8	70284	TUBE,AIR INTAKE.....1		32	94905	BELL HOUSING.....1	
9	16584	U-BOLT, KIT 5/16-18 X 2.5		33	88993	CLAMP,MUFFLER.....2	
--	75826	NUT, HEX 5/16X18 GT10		34	88841	MUFFLER,6".....1	
10	65623	FILTER-OIL,GM 3.0L ENGINE.....1		--	70298	MUFFLER,SPARK ARRESTOR <i>option</i>	
11	70260P	FORMING,FRONT ENGINE MOUNT.....1		--	88842	TAILPIPE,MUFFLER.....1	
12	83048	STARTER,GM 3.0L.....1		35	70258	FORMING,MUFFLER MOUNT.....1	
13	94903	ENGINE CONTROL MODULE GM.....1		36	34163	ELBOW,90 DEGR,RUBBER,MODIFIED*.....1	
14	6019	SCREW,HHC,3/8-16 X 1.25 GRD 5		--	30971	CLAMP,HOSE,3.00"	
15	6097	WASHER,FLAT,USS,3/8",Y		--	35067	TUBE,RD,ALUM 2.5 X .083	
16	70251	ISOLATOR,ENGINE VIBRATION....4		37	77745	LPG MIXER, IMPACO (GM 3.0L).....1	
17	70259P	FORMING,REAR ENGINE MOUNT.....1		38	70385	CLAMP,EXHAUST,2.00 PLATED.....1	
18	70368	HEAD PIPE WELDMENT.....1 <i>includes item 19</i>		39	77762P	FORMING,ENGINE BAFFLE,GM....1	
19	61782	FLANGE,GM EXHAUST.....1					
--	75953	SEAL,EXHAUST MANIFOLD,GM					



502.1 Deutz F4L1011 (to SN 9718)





502.1 Deutz F4L1011 (to SN 9718)

Item	Part No.	Description	Qty.	Item	Part No.	Description	Qty.
--	58274	ENGINE, DEUTZ D2011L03I (SERV) F3L1011 AND F3L1011F Engines only		--	30490	HOSE, 1/4 FUEL LINE, SAE 30R7.....127-inches	
--	T114678	SHUTDOWN SOLENOID, 12V, DEUTZ.....1 (replaced 32752) (must order cable assembly, 58256, if replacing 32752) (does not include o-ring)		8	32695	MUFFLER, DEUTZ.....1	
--	58256	SOLENOID CABLE ASSY***		9	31408	GLOW PLUG, L1011.....1	
--	72255	CONNECTOR, DEUTZ FUEL SHUTOFF* (does not include diode, 45782)		10	139709	STARTER, 12V.....1	
--	45782	DIODE, 6 AMP, 200 PIV, BULK		11	6019	SCREW, HHC, 3/8-16 X 1.25 GRD 5	
1	33240	BRACKET, ACTUATOR ARM MOUNTING.....1 to SN 9519		12	6097	WASHER, FLAT, USS, 3/8", Y	
--	50787P	LEVER, GOVERNOR ACTUATOR, PTD*** from SN 9520		13	22558	SCREW, HHC, M14 X 40MM, GR 8.8	
2	88512	THROTTLE LINK, DSL *** .....1 to SN 9519		14	49411	WASHER, FLAT, M14	
--	94485	THROTTLE LINKAGE, DIESEL*** from SN 9520		15	70251	ISOLATOR, ENGINE VIBRATION....4 to SN 9519	
3	29560	FILTER, FUEL/WTR SEP, DTZ 1008.....1 Genie Genuine Part. See PN 1254826 for compatible aftermarket replacement.		--	70452	ISOLATOR, ENGINE VIBRATION*** .....4 from SN 9520	
--	1254826	FUEL FILTER W/SEP, DEUTZ, 1008.....1 Genie Aftermarket Part. Filter for Deutz F3L 1011F Engine.		16	13000	SCREW, HHC, 5/16-18 X 1.25 to SN 9519	
4	70378	FORMING, ENGINE MOUNT, FR.....1 to SN 9519		--	6175	SCREW, HHC, 3/8-16 X 1 from SN 9520	
--	70460P	FORMING, ENGINE MOUNT, FR PAINT from SN 9520		17	5397	WASHER, FLAT, USS, 5/16", Y to SN 9519	
5	49924	FILTER, OIL, DEUTZ F4L1011F.....1 Genie Genuine Part. See PN 1255653 for compatible aftermarket replacement.		--	6097	WASHER, FLAT, USS, 3/8", Y from SN 9520	
--	1255653	FILTER, OIL, DEUTZ, REPLACEMENT.1 Genie Aftermarket Part. Compatible with Genie Genuine Part 49924.		18	70351P	FORMING, AIR CLEANER MOUNT PNTD.....1	
6	77402	SOLENOID, THROTTLE ACTUATOR DSL.....1		19	70375	HOSE, AIR CLEANER.....1	
7	147525	FITTING, BARBED, STRT, FUEL LINE.....1		20	63463	AIR CLEANER, NELSON*** .....1	
--	147526	FITTING, BARBED, TEE, FUEL LINE (not shown)		--	53952	BRKT, AIR CLEANER ORIENTATION**	
				--	62420	FILTER, AIR***	
				21	34162-475	HOSE, AIR INTAKE 2.5" I.D.....1	
				22	77763P	BAFFLE, DEUTZ AIR INTAKE PAINTD.....1	
				23	50579-S	WELDMENT, AIR INTAKE TUBE....1	
				--	31523	CLAMP, HOSE, 8.50 DIA***	
				--	33239	SHEET, RUBBER, AIR INTAKE	
				--	49914	GUARD-FAN, DEUTZ ENG, F4L1011F	
				24	32698	BELT, V, DEUTZ DIESEL ENGINE....1	
				25	35586	ALTERNATOR, DEUTZ F3L10/F4L10*.....1	
				26	101291	ENGINE TRAY ASSY W/BEARINGS.....1 to SN 9519	
				--	101540	ENGINE TRAY ASSY W/BEARINGS.....1 from SN 9520	

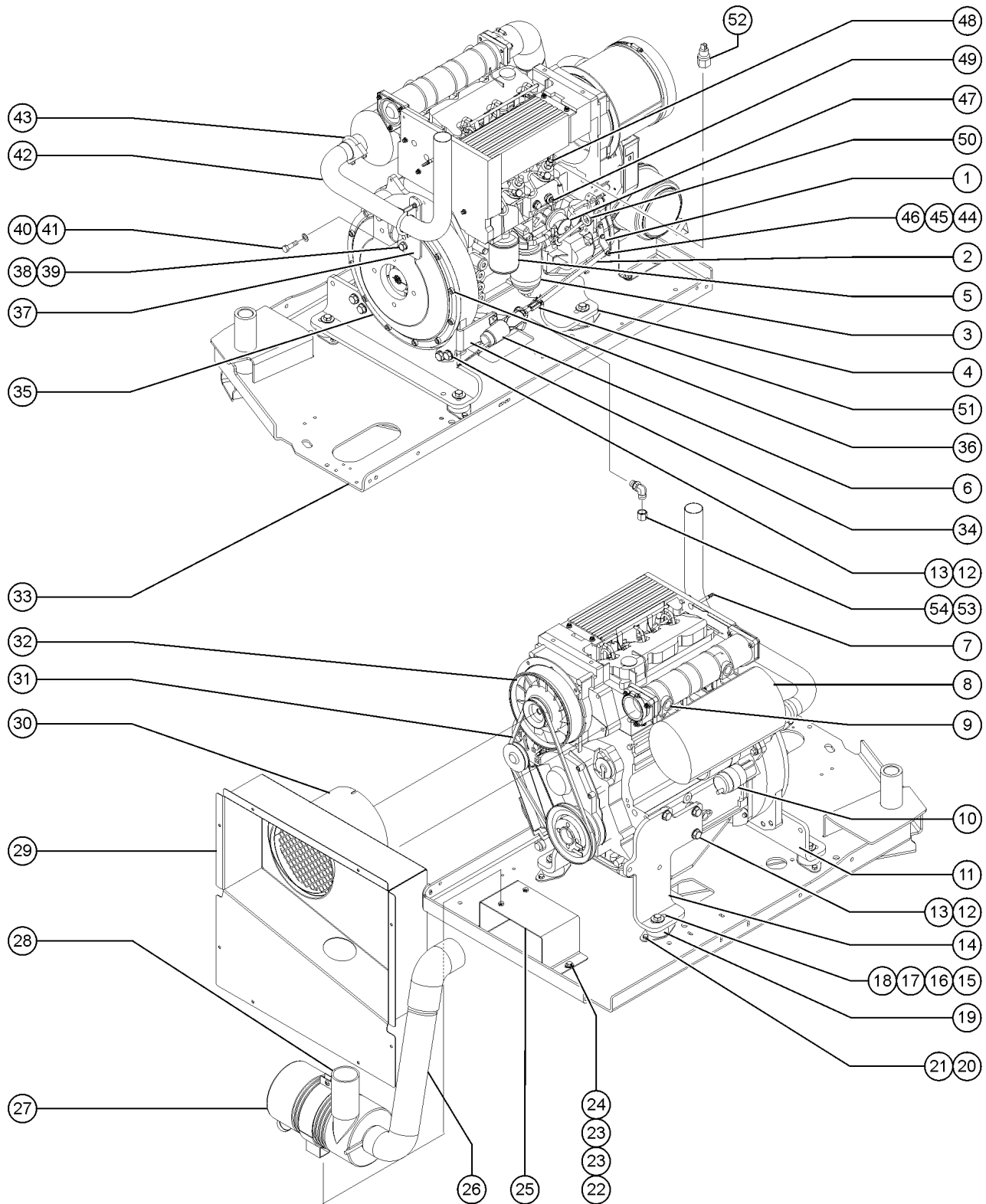


502.1 Deutz F4L1011 (to SN 9718)  
(continued)

Item	Part No.	Description	Qty.
--	35675	BEARING,FL,1.25IDX1.5ODX1.25L.1	
27	10597	SCREW,HHC,1/2-13 X 1.25 GR5	
28	6033	WASHER,LOCK,0.5"	
29	70380P	FORMING,SOLENOID MOUNT,PTD.....1 <i>to SN 9519</i>	
--	101129P	BRACKET,SOLENOID MOUNT PAINT.....1 <i>from SN 9520</i>	
--	22699	WASHER,FLAT,M10,ZINC PLTD. <i>from SN 9520</i>	
--	70472P	FORMING,SOLENOID MOUNT PAINT.....1 <i>from SN 9520</i>	
--	85053	SCREW,HHC,M10 X 1.5 X70,GR 8.8 <i>from SN 9520</i>	
30	70381	COVER,FLYWHEEL CASTING.....1	
31	70377	FORMING,REAR ENGINE MOUNT.....1 <i>to SN 9519</i>	
--	70459P	FORMING,REAR ENGINE MOUNT PNT.....1 <i>from SN 9520</i>	
32	44064	SCREW,HHC,M10 X 30MM,	
33	70311	EXHAUST PIPE,DEUTZ.....1	
34	70385	CLAMP,EXHAUST,2.00 PLATED.....2	
35	70379P	FORMING,ENGINE MOUNT,FL PNT.....1 <i>to SN 9519</i>	
--	70461P	FORMING,ENGINE MOUNT,FL PAINT.....1 <i>from SN 9520</i>	
36	6019	SCREW,HHC,3/8-16 X 1.25 GRD 5 <i>to SN 9519</i>	
--	10598	SCREW,HHC,1/2-13 X 3 <i>from SN 9520</i>	
37	6097	WASHER,FLAT,USS,3/8",Y <i>to SN 9519</i>	
--	6095	WASHER,FLAT,USS,1/2",Y <i>from SN 9520</i>	
38	24040	WASHER,1/2 PLATE(1/2X2.25X3/16 <i>from SN 9520</i>	
39	6198	NUT,NYLOCK,1/2-13 <i>from SN 9520</i>	
40	21130	CLEVIS YOKE-1/4-28,PLTD W/PIN.....1	

*This Page Intentionally Left Blank*

502.2 Deutz F3L2011/D2011L03i (from SN 9719)



502.2 Deutz F3L2011/D2011L03i (from SN 9719)

Item	Part No.	Description	Qty.	Item	Part No.	Description	Qty.
--	58274	ENGINE, DEUTZ D2011L03I (SERV) F3L1011 AND F3L1011F Engines only		9	31408	GLOW PLUG,L1011.....	1
--	70453	ENGINE KIT,DEUTZ D2011L03I F3L2011 AND D2011L03I Engines only		10	139709	STARTER, 12V.....	1
--	T114678	SHUTDOWN SOLENOID,12V, DEUTZ.....1 (replaced 32752) (must order cable assembly, 58256, if replacing 32752) (does not include o-ring)		--	139621	KIT, HEAT GUARD, DEUTZ STARTER	
--	58256	SOLENOID CABLE ASSY***		11	70459P	FORMING,REAR ENGINE MOUNT PNT.....	1
--	72255	CONNECTOR, DEUTZ FUEL SHUTOFF* (does not include diode, 45782)		12	22558	SCREW,HHC,M14 X 40MM,GR 8.8	
--	45782	DIODE,6 AMP,200 PIV,BULK		13	49411	WASHER,FLAT,M14	
1	50787-S	LEVER, GOVERNOR ACTUATOR.....	1	14	70461P	FORMING,ENGINE MOUNT,FL PAINT.....	1
2	94485	THROTTLE LINKAGE,DIESEL *** ....	1	15	10598	SCREW,HHC,1/2-13 X 3	
3	29560	FILTER,FUEL/WTR SEP, DTZ 1008.....	1	16	6095	WASHER,FLAT,USS,1/2",Y	
--	1254826	FUEL FILTER W/SEP,DEUTZ,1008.....1 Genie Aftermarket Part. Filter for Deutz F3L 1011F Engine.		17	24040	WASHER,1/2 PLATE(1/2X2.25X3/16	
4	70460P	FORMING,ENGINE MOUNT,FR PAINT.....	1	18	6198	NUT,NYLOCK,1/2-13	
5	49924	FILTER,OIL,DEUTZ F4L1011F.....1 Genie Genuine Part. See PN 1255653 for compatible aftermarket replacement.		19	70452	ISOLATOR,ENGINE VIBRATION*** .....	4
--	1255653	FILTER,OIL,DEUTZ,REPLACEMENT.1 Genie Aftermarket Part. Compatible with Genie Genuine Part 49924.		20	6175	SCREW,HHC,3/8-16 X 1	
6	77402	SOLENOID,THROTTLE ACTUATOR DSL.....	1	21	6097	WASHER,FLAT,USS,3/8",Y	
7	147525	FITTING,BARBED,STRT,FUEL LINE.....	1	22	13002	SCREW,HHC,5/16-18 X 1 GR5	
--	147526	FITTING,BARBED,TEE,FUEL LINE (not shown)		23	5397	WASHER,FLAT,USS,5/16",Y	
--	30490	HOSE,1/4 FUEL LINE,SAE 30R7.....	127-inches	24	6782	NUT,NYLOCK,5/16-18	
8	32695	MUFFLER,DEUTZ.....	1	25	70351P	FORMING,AIR CLEANER MOUNT PNTD.....	1
--	119117	MUFFLER,CAT/SPARK,DEUTZ spark arresting option		26	70375	HOSE,AIR CLEANER.....	1
				27	63463	AIR CLEANER,NELSON***.....	1
				--	53952	BRKT,AIR CLEANER ORIENTATION**	
				--	62420	FILTER,AIR***	
				28	101006	TUBE,AIR CLEANER INLET.....	1
				--	30971	CLAMP,HOSE,3.00".....	2
				29	70494P	FORMING,DEUTZ AIR INTAKE BAF P.....	1
				30	101140P-S	AIR INTAKE TUBE ASSY.....	1
				--	31523	CLAMP,HOSE,8.50 DIA***	
				--	33239	SHEET,RUBBER,AIR INTAKE	
				31	32698	BELT,V, DEUTZ DIESEL ENGINE....	1
				32	35586	ALTERNATOR, DEUTZ F3L10/F4L10*.....	1
				33	101540	ENGINE TRAY ASSY W/BEARINGS.....	1
				--	35675	BEARING,FL,1.25IDX1.5ODX1.25L.1	



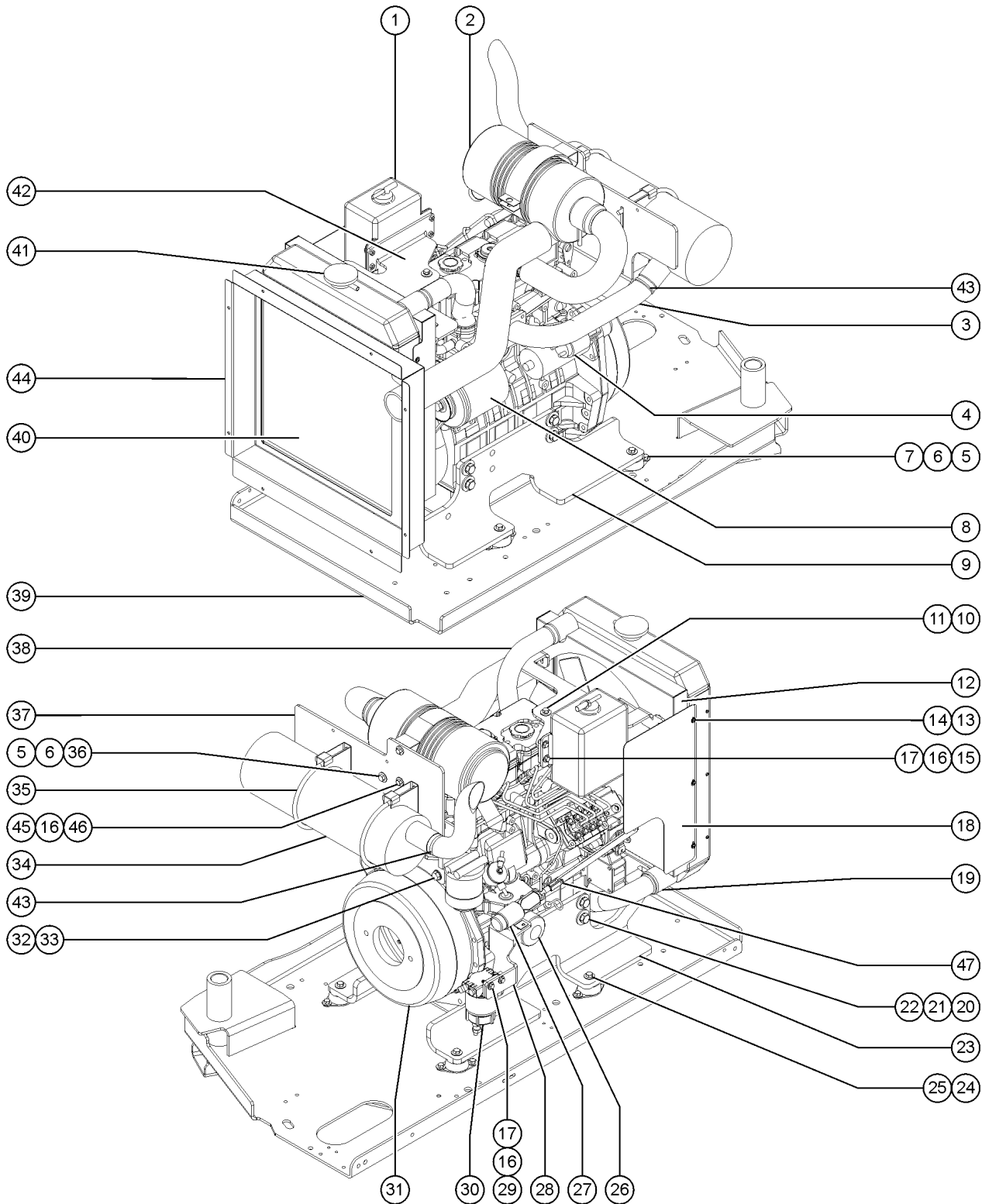
502.2 Deutz F3L2011/D2011L03i (from SN 9719)  
(continued)

Item	Part No.	Description	Qty.	Item	Part No.	Description	Qty.
34	101129P	BRACKET,SOLENOID MOUNT PAINT.....	1	54	69775	CAP,520112-8.....	1
--	77245P	BRACKET,SOLEN.MOUNT BRACE,PNTD					
35	70381	COVER,FLYWHEEL CASTING.....	1				
--	128023	KIT,FBA STYLE COUPLER,SAE8					
--	33024	FLYWHEEL FLANGE, GREEN PLASTIC.....	1				
--	37003	COUPLER,HUB,15 TOOTH 7/16BOLT*.....	1				
36	44064	SCREW,HHC,M10 X 30MM,					
37	70472P	FORMING,SOLENOID MOUNT PAINT.....	1				
38	10597	SCREW,HHC,1/2-13 X 1.25 GR5					
39	6033	WASHER,LOCK,0.5"					
40	85053	SCREW,HHC,M10 X 1.5 X70,GR 8.8					
41	22699	WASHER,FLAT,M10,ZINC PLTD.					
42	70499	EXHAUST PIPE,DEUTZ.....	1				
43	70385	CLAMP,EXHAUST,2.00 PLATED.....	2				
44	6584	SCREW,SHS,10-24 X .625					
45	85054	WASHER,FLAT,M10					
46	25625	NUT,HEX,10-24					
47	102497	PUMP,FUEL F3L 2011F DEUTZ.....	1				
--	119344	KIT,PRIMER BULB					
--	27089	HOSE,5/16 FUEL,SAE 30R7.....	116-inches				
48	89792	INJECTOR, FUEL(DEUTZ F3L2011F).....	2				
49	139624	SWITCH, OIL PRESSURE 1.5 BAR.....	1				
		<i>(replaced 65765)</i>					
--	139666	KIT,OP SWITCH,DEUTZ <i>(oil pressure kit for models with ALC-500 control system. replaces 65765. includes item 139624 and instructions)</i>					
50	52352	DIPSTICK-F3L1011F (DEUTZ) <i>to SN 15555</i>					
--	147243	DIPSTICK,OIL,D2011.....	1				
		<i>from SN 15556</i>					
51	21130	CLEVIS YOKE-1/4-28,PLTD W/PIN.....	1				
52	111445	SENDING UNIT,OIL TEMP SWCH,DTZ.....	1				
53	54428	FITTING,HYDRAULIC,90DEG,O-RING.1					

502.2 Deutz F3L2011/D2011L03i (from SN 9719)  
(continued)

*This Page Intentionally Left Blank*

503.1 Perkins 704-30 (to SN 9693)





503.1 Perkins 704-30 (to SN 9693)

Item	Part No.	Description	Qty.	Item	Part No.	Description	Qty.
--	106663	SOLENOID,SHUT DOWN PERKIN40422		--	13014	CLAMP,HOSE,2.25" DIA.	
--	111028	SWITCH,WATER TEMP,PRKNS,404***		20	54687	SCREW,HHC,M14 X 1.5X40MM,GR8.8	
--	58354	GASKET,WATER PUMP for 89763		21	37505	WASHER,LOCK,M14	
--	72337	SWITCH,OIL PRESS-PERKINS(54555		22	49411	WASHER,FLAT,M14	
--	89763	PUMP WATER (PERKINS 404)***		23	88988P	FORMING,ENGINE MOUNT RH PAINTE.....1	
1	70367	BOTTLE,COOLANT RECOVERY,3.7***.....1		24	6019	SCREW,HHC,3/8-16 X 1.25 GRD 5	
--	115431	CAP ASSY,COOLANT BOTTLE***		25	6097	WASHER,FLAT,USS,3/8",Y	
2	63463	AIR CLEANER,NELSON***.....1		26	94762	OIL FILTER - PERKINS.....1	
--	53952	BRKT,AIR CLEANER ORIENTATION**		27	77402	SOLENOID,THROTTLE ACTUATOR DSL.....1	
--	62420	FILTER,AIR***		28	94378P	FORMING,SOLENOID MOUNT PAINTED.....1	
--	88846	HOSE,AIR INLET		29	8915	SCREW,HHC,1/4-20 X 1.25	
--	88847	HOSE,AIR CLEANER TO INTAKE		30	147826	SEPRTR/FLTR,FUEL DSL,15GPH,.30.....1 <i>(replaced 75020, the filter is the same for both assemblies)</i>	
3	110899	WELDMENT,EXHAUST PIPE.....1		--	54205	HOSE END,BARB,1/4 MNPTX5/16,90.....1 <i>(included with filter assembly)</i>	
--	62845	NUT-FLANGE, 8MM (62849)		--	54437	HOSE END,BARB,1/4 MNPTX5/16,ST.....1 <i>(included with filter assembly)</i>	
--	72343	GASKET,EXH FLANGE-PERKINS54555		--	62433	FILTER,ELEMENT,30 MIC,75020	
--	72344	BOLT,EXHAUST,PERKINS(54555)		31A	54573	PUMP MOUNT KIT,PERKINS DSL.....1	
--	94888	EXHAUST MANIFOLD		--	89773	KIT, HARDWARE (54573)	
4	228457	STARTER, PERKINS, 404D.....1		31B	128022	KIT,FBA STYLE COUPLER,PERKINS <i>(replaced 54573) (includes 128003, 128024 (6 qty) and 128025)</i>	
5	13000	SCREW,HHC,5/16-18 X 1.25		--	29749	COUPLER,SMALL METAL,15T,***	
6	5397	WASHER,FLAT,USS,5/16",Y		--	89771	HOUSING,PUMP MOUNT (54573)	
7	6782	NUT,NYLOCK,5/16-18		--	89772	FLEX PLATE (54573)***	
8	72342	ALTERNATOR, PERKINS (54555).....1		32	60868	SCREW,HHC,M12 X 45	
9	88987P	FORMING,ENGINE MOUNT,LH PAINTE.....1		33	49410	WASHER,FLAT,M12	
10	23057	SCREW,HHC,M8 X 20MM		34	88841	MUFFLER,6".....1	
11	33277	WASHER,FLAT,M8,YELLOW ZINC		--	70298	MUFFLER,SPARK ARRESTOR <i>option</i>	
12	88990P	SHROUD,FAN PAINTED.....1		--	70357	MUFFLER,CATALYTIC <i>option</i>	
13	21019	SCREW,PHIL,PHM,10-24 X.5,SEMS		--	88842	TAILPIPE,MUFFLER	
14	6146	WASHER,FLAT,MS,#10,Y		35	88993	CLAMP,MUFFLER.....2	
15	6090	SCREW,HHC,1/4-20 X .75					
16	6638	WASHER,FLAT,USS,1/4"Y					
17	6091	NUT,NYLOCK,1/4-20					
18	54487P	GUARD,FAN,FORD/PERKINS,PAINTED.1					
19	54579	HOSE,LOWER,RADIATOR,PERKINS.1					

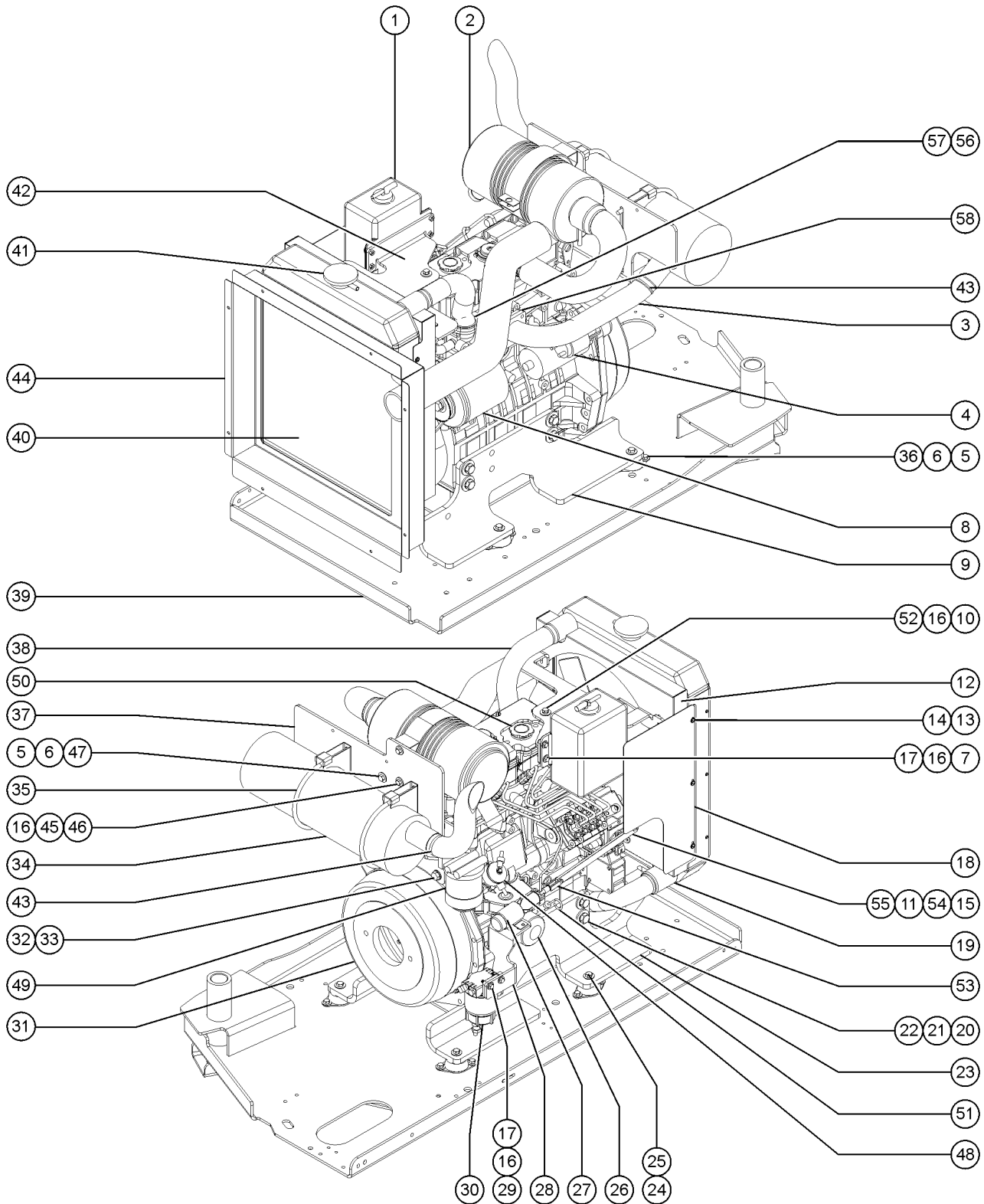


503.1 Perkins 704-30 (to SN 9693)  
(continued)

Item	Part No.	Description	Qty.
36	6782	NUT,NYLOCK,5/16-18	
37	88991P	FORMING,MUFFLER MOUNT PAINTED.....1	1
38	54578	HOSE,UPPER RADIATOR,PERKINS.....1	1
--	13014	CLAMP,HOSE,2.25" DIA.	
39		Ref. Engine Tray Assembly (refer to 304.1)	
40	110304	RADIATOR,FORD/PERKINS*** .....1	1
--	24038	SHOCK MOUNT,SMALL	
--	77483	FAN, ENGINE (104-22)(404-22)	
--	94886	FAN SPACER	
41	65473	CAP,RADIATOR,PERKINS/FORD....1	1
42	88989P	FORMING,UPPER RAD SUPPORT PAIN	
43	70385	CLAMP,EXHAUST,2.00 PLATED.....2	2
44	77761P	FORMING,ENGINE BAFFLE,PERKINS.....1	1
45	13002	SCREW,HHC,5/16-18 X 1 GR5	
46	6782	NUT,NYLOCK,5/16-18	
47	21130	CLEVIS YOKE-1/4-28,PLTD W/PIN.....1	1

*This Page Intentionally Left Blank*

503.2 Perkins 404-22 (from SN 9694)



503.2 Perkins 404-22 (from SN 9694)

Item	Part No.	Description	Qty.	Item	Part No.	Description	Qty.
A	139072	KIT,PERKINS T2 ENGINE REPLCMNT <i>Tier II Engine Conversion for first time replacement; to SN 19606</i>		--	88847	HOSE,AIR CLEANER TO INTAKE	
				3	110899	WELDMENT,EXHAUST PIPE.....1	
B	111027	SWITCH,OIL PRESS-PERKINS 404 <i>(approx. 1.75-inches; spade connector)</i>		--	62845	NUT-FLANGE, 8MM (62849)	
				--	72343	GASKET,EXH FLANGE-PERKINS54555	
C	119809	SWITCH, OIL PRESSURE <i>(approx. 2.5-inches; pin connector)</i>		--	72344	BOLT,EXHAUST,PERKINS(54555)	
				--	94888	EXHAUST MANIFOLD	
D	111028	SWITCH,WATER TEMP,PRKNS,404***		4	228457	STARTER, PERKINS, 404D.....1	
E	89763	PUMP WATER (PERKINS 404)*** <i>404C-22; to SN 19606</i>		5	6175	SCREW,HHC,3/8-16 X 1	
--	58354	GASKET,WATER PUMP <i>for 89763, 128987</i>		6	5397	WASHER,FLAT,USS,5/16",Y	
				7	6888	SCREW,HHC,1/4-20 X 1	
F	128987	WATER PUMP <i>404D-22; from SN 19607</i>		8	72342	ALTERNATOR, PERKINS (54555).....1 <i>to SN 12563</i>	
--	236426	SOLENOID KIT,SHUT DN,PERKINS		--	111029	ALTERNATOR,65 AMP,PERKINS 404 <i>from SN 12564</i>	
G	77478	THERMOSTAT (PERKINS 104-22)		9	88987P	FORMING,ENGINE MOUNT,LH PAINTE.....1	
H	147348	SEAL-VALVE SYSTEM (A) <i>(for 70253 engine)</i>		10	23057	SCREW,HHC,M8 X 20MM	
I	147349	SEAL-VALVE SYSTEM (B) <i>(for 70253 engine)</i>		11	33277	WASHER,FLAT,M8,YELLOW ZINC	
J	147350	GASKET-CYLINDER HEAD <i>(for 70253 engine)</i>		12	88990P	SHROUD,FAN PAINTED.....1	
K	147351	SEAL-ROCKER BOX <i>(for 70253 engine)</i>		13	21019	SCREW,PHIL,PHM,10-24 X.5,SEMS	
L	147352	SEAL-INJECTOR <i>(for 70253 engine)</i>		14	6146	WASHER,FLAT,MS,#10,Y	
M	147353	SEAL-INJECTOR <i>(for 70253 engine)</i>		15	89953	FLATBAR,ALUM,THROTTLE LINKAGE.....1	
N	147355	GASKET-THERMOSTAT HSG <i>(for 70253 engine)</i>		16	6638	WASHER,FLAT,USS,1/4"Y	
O	85155	PUMP,PRIMER,PERKINS***		17	6091	NUT,NYLOCK,1/4-20	
P	89765	BELT, V (PERKINS 404).....1 <i>not pictured</i>		18	54487P	GUARD,FAN,FORD/PERKINS,PAINTED.1	
1	70367	BOTTLE,COOLANT RECOVERY,3.7*** .....1		19	54579	HOSE,LOWER,RADIATOR,PERKINS.1	
--	106226-4000	TUBING, VINYL, 1/2" CLEAR		--	22672	CLAMP,HOSE,1.75	
--	115431	CAP ASSY,COOLANT BOTTLE***		20	54687	SCREW,HHC,M14 X 1.5X40MM,GR8.8	
2	63463	AIR CLEANER,NELSON*** .....1		21	37505	WASHER,LOCK,M14	
--	53952	BRKT,AIR CLEANER ORIENTATION**		22	49411	WASHER,FLAT,M14	
--	62420	FILTER,AIR***		23	88988P	FORMING,ENGINE MOUNT RH PAINTE.....1	
--	88846	HOSE,AIR INLET		24	10598	SCREW,HHC,1/2-13 X 3	
				25	6095	WASHER,FLAT,USS,1/2",Y	
				26	94762	OIL FILTER - PERKINS.....1	
				27	77402	SOLENOID,THROTTLE ACTUATOR DSL.....1	
				--	21130	CLEVIS YOKE-1/4-28,PLTD W/PIN	



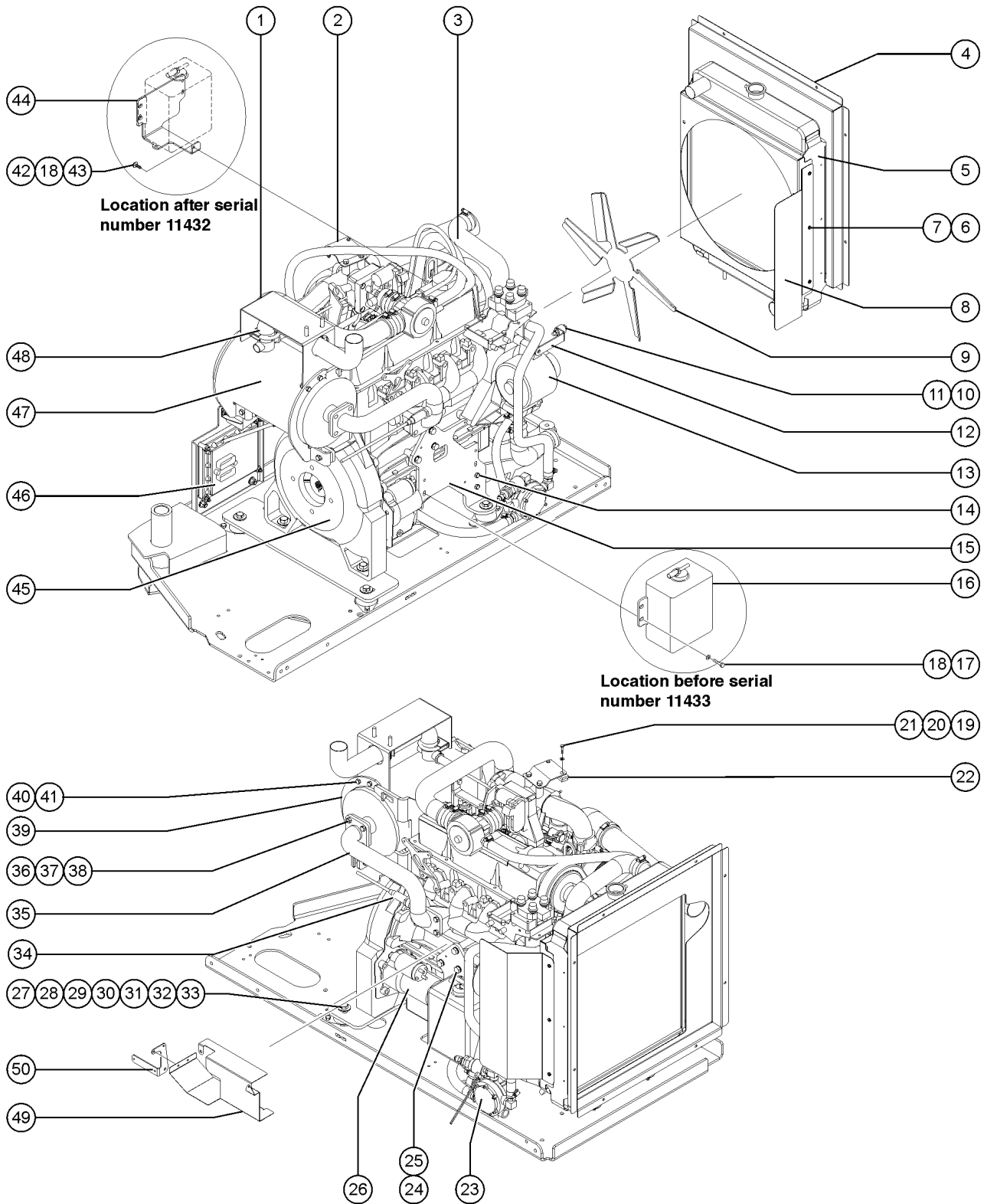
503.2 Perkins 404-22 (from SN 9694)  
(continued)

Item	Part No.	Description	Qty.	Item	Part No.	Description	Qty.
--	89953	FLATBAR,ALUM,THROTTLE LINKAGE		40	110304	RADIATOR,FORD/PERKINS***	1
28	94378P	FORMING,SOLENOID MOUNT PAINTED.....1 <i>to SN 19606</i>	1	--	24038	SHOCK MOUNT,SMALL	
--	128588	FORMING,SOLENOID MOUNT.....1 <i>from SN 19607</i>	1	--	77483	FAN, ENGINE (104-22)(404-22)	
29	8915	SCREW,HHC,1/4-20 X 1.25		--	94886	FAN SPACER	
30	147826	SEPRTR/FLTR,FUEL DSL,15GPH,.30.....1 <i>(replaced 75020, the filter is the same for both assemblies)</i>	1	41	65473	CAP,RADIATOR,PERKINS/FORD....1	1
--	54205	HOSE END,BARB,1/4 MNPTX5/16,90.....1 <i>(included with filter assembly)</i>	1	42	88989P	FORMING,UPPER RAD SUPPORT PAIN.....1	1
--	54437	HOSE END,BARB,1/4 MNPTX5/16,ST.....1 <i>(included with filter assembly)</i>	1	43	70385	CLAMP,EXHAUST,2.00 PLATED....2	2
--	62433	FILTER,ELEMENT,30 MIC,75020		44	106003P	BAFFLE,PERKINS ENGINE PAINTED.....1	1
31A	54573	PUMP MOUNT KIT,PERKINS DSL.....1	1	45	6782	NUT,NYLOCK,5/16-18	
--	89773	KIT, HARDWARE (54573)		46	13002	SCREW,HHC,5/16-18 X 1 GR5	
31B	128022	KIT,FBA STYLE COUPLER,PERKINS <i>(replaced 54573) (includes 128003, 128024 and 128025)</i>		47	7713	NUT,LP NYLOCK,3/8-16	
--	29749	COUPLER,SMALL METAL,15T,***		48	72348	PUMP,LIFT(FUEL) PERKINS(54555).....1 <i>404C-22; to SN 19606</i>	1
--	89771	HOUSING,PUMP MOUNT (54573)		--	77990	KIT,SEAL,3CC PUMP***	
--	89772	FLEX PLATE (54573)***		48A	128989	LIFT PUMP (FUEL) 404D-22; from SN 19607	
32	60868	SCREW,HHC,M12 X 45		49	94889	FUEL FILTER ASSEMBLY.....1	1
33	49410	WASHER,FLAT,M12		--	62421	FILTER,FUEL,PERKINS	
34	88841	MUFFLER,6".....1	1	50	65636	CAP, OIL FILLER.....1	1
--	106048	TAILPIPE,MUFFLER,2.00"DIA.....1	1	--	65638	SEAL, OIL FILLER CAP	
--	70298	MUFFLER,SPARK ARRESTOR <i>option</i>		51	89759	DIPSTICK, OIL (PERKINS 404).....1 <i>404C-22; to SN 19606</i>	1
--	70357	MUFFLER,CATALYTIC <i>option</i>		--	128984	DIPSTICK, STRAIGHT SHORT.....1 <i>404D-22; from SN 19607</i>	1
35	88993	CLAMP,MUFFLER.....2	2	52	60585	ISOLATOR,VIBRATION,M8 MALE/FEM.....1	1
36	4828	NUT,NYLOCK,3/8-16		53	21130	CLEVIS YOKE-1/4-28,PLTD W/PIN.....1	1
37	88991P	FORMING,MUFFLER MOUNT PAINTED.....1	1	54	119866	SCREW,SHS,M6X12MM,8MM	
38	54578	HOSE,UPPER RADIATOR,PERKINS.....1	1	55	49364	NUT,NYLOCK,M6X1.00	
--	22672	CLAMP,HOSE,1.75		56	77476	HOUSING,THERMOSTAT,PERKINS 104.....1 <i>404C-22; to SN 19606</i>	1
39		Ref. Engine Tray Assembly (refer to 304.1)		56A	128986	WATER OUTLET, VERTICAL 404D-22; from SN 19607	
				57	77478	THERMOSTAT (PERKINS 104-22).....1 <i>404C-22; to SN 19606</i>	1
				57A	128991	THERMOSTAT 404D-22; from SN 19607	

503.2 Perkins 404-22 (from SN 9694)  
(continued)

Item	Part No.	Description	Qty.
58	72343	GASKET,EXH FLANGE-PERKINS54555.....	1

504.1 Ford LRG-425 EFI Engine - View 1 (to SN 14053)





504.1 Ford LRG-425 EFI Engine - View 1 (to SN 14053)

Item	Part No.	Description	Qty.	Item	Part No.	Description	Qty.
--		REF: Fuel Pump <i>(refer to figure 302.1)</i>		20	6146	WASHER,FLAT,MS,#10,Y	
--	33963	PUMP, WATER, WITH GASKET <i>includes o-ring</i>		21	6178	NUT,NYLOCK,10-32	
--	33964	GASKET, WATER PUMP		22	49898	MAP SENSOR, EFI.....1	
--	33966	THERMOSTAT, FORD LRG		23	70525	REGULATOR,LPG.....1	
--	49735	ENGINE,FORD LRG 425,EFIZ45 <i>(remanufactured long block only, does not include starter, alternator, radiator or fuel system)</i>		--	102073	ELBOW,90 DEG,3/8NPT X 1/2 FNPT	
--	52580	BELT,SERPENTINE,LRG425 EFI***.....1		--	102074	ELBOW,90DEG, .63 HS X.375 MPT	
--	65770	BELT,TIMING,FORD LRG423/425EFI		--	19363	ELBOW,130239-4-4	
1	102307	FORMING,HEAT SHIELD.....1		--	88757	VALVE,LP LOCKOUT W/CONN***	
2	54531P	BRACKET,MAP SENSOR,PAINTED.....1		23A	102119	HOSE,3/4,LP.....8-inches <i>from regulator to mixer</i>	
3	54862	HOSE,UPPER RADIATOR,Z45.....1		24	22676	SCREW,HHC,M10 X 1.25 X 30MM**	
--	22672	CLAMP,HOSE,1.75		25	22699	WASHER,FLAT,M10,ZINC PLTD.	
4	70422P	FORMING,ENGINE BAFFLE PNTD.....1		26	29606	RING GEAR,FORD*** <i>FITS LSG-LRG 423, AND LRG425</i>	
5	110304	RADIATOR,FORD/PERKINS***.....1		26	29616	STARTER,ENGINE,FORD LSG/LRG***.....1	
--	15086	WASHER,FLAT,.375 X 1.5 X .125		27	10598	SCREW,HHC,1/2-13 X 3	
--	24038	SHOCK MOUNT,SMALL.....4		28	6095	WASHER,FLAT,USS,1/2",Y	
--	4828	NUT,NYLOCK,3/8-16		29	70452	ISOLATOR,ENGINE VIBRATION***.....4	
6	21019	SCREW,PHIL,PHM,10-24 X.5,SEMS		30	101730	SPACER,ENGINE MOUNT.....4	
7	6146	WASHER,FLAT,MS,#10,Y		31	101729	WASHER,VIBRATION ISOLATING.....4	
8	70433P	FORMING,FAN GUARD PNTD.....1		32	24040	WASHER,1/2 PLATE(1/2X2.25X3/16	
9	52076	FAN, LSG423/LRG425.....1		33	6198	NUT,NYLOCK,1/2-13	
10	48498	ISOLATOR,AIR FILTER MOUNT....2		34	88450	SENSOR,OXYGEN LRG425EFI....1	
11	18503	NUT,LOCKING-LG.FLANGE,5/16-18		35	94931	WELDMENT,HEADER PIPE.....1	
12	101123P	FORMING,STRUT,RH RADIATOR PNTD.....2		36	13000	SCREW,HHC,5/16-18 X 1.25	
13	33960	ALTERNATOR,LRG-423 RE-BUILT*.....1		37	72343	GASKET,EXH FLANGE-PERKINS54555.....1	
14	8516	SCREW,HHC,3/8-16 X 1.50,GR5		38	18503	NUT,LOCKING-LG.FLANGE,5/16-18	
15	101119P	ENGINE MOUNT FOOT,RH PNTD.....1		39	106271P	CLAMP,FORD MUFFLER,PAINTED.....1	
16	70367	BOTTLE,COOLANT RECOVERY,3.7***.....1		--	101126P	FORMING,RH MUFFLER SUP PAINTED	
--	115431	CAP ASSY,COOLANT BOTTLE***		40	6175	SCREW,HHC,3/8-16 X 1	
17	8915	SCREW,HHC,1/4-20 X 1.25		41	4828	NUT,NYLOCK,3/8-16	
18	6638	WASHER,FLAT,USS,1/4"Y		42	6888	SCREW,HHC,1/4-20 X 1	
19	49817	SCREW,PHILLIPS,PHM,10-32 X1.25		43	6091	NUT,NYLOCK,1/4-20	
				44	107587	PLATE,OVER FLOW BOTTLE MOUNT.....1	



504.1 Ford LRG-425 EFI Engine - View 1 (to SN 14053)  
(continued)

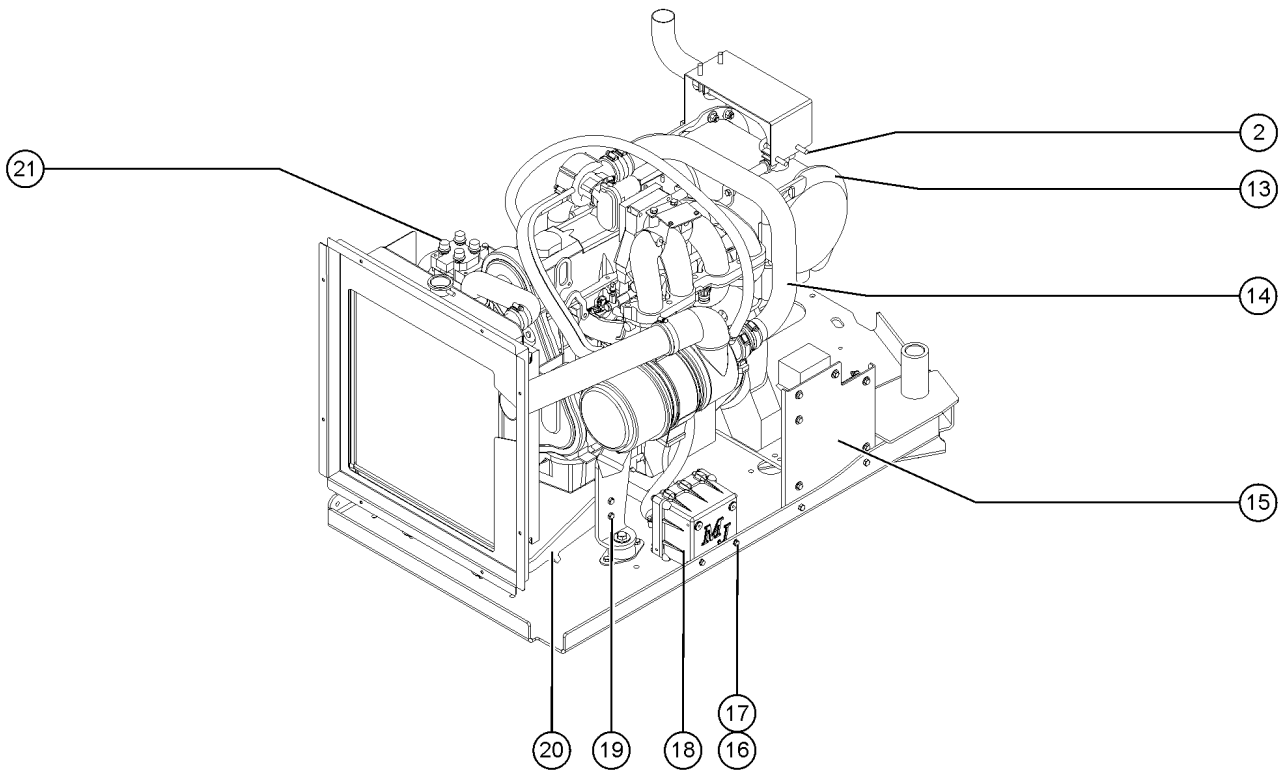
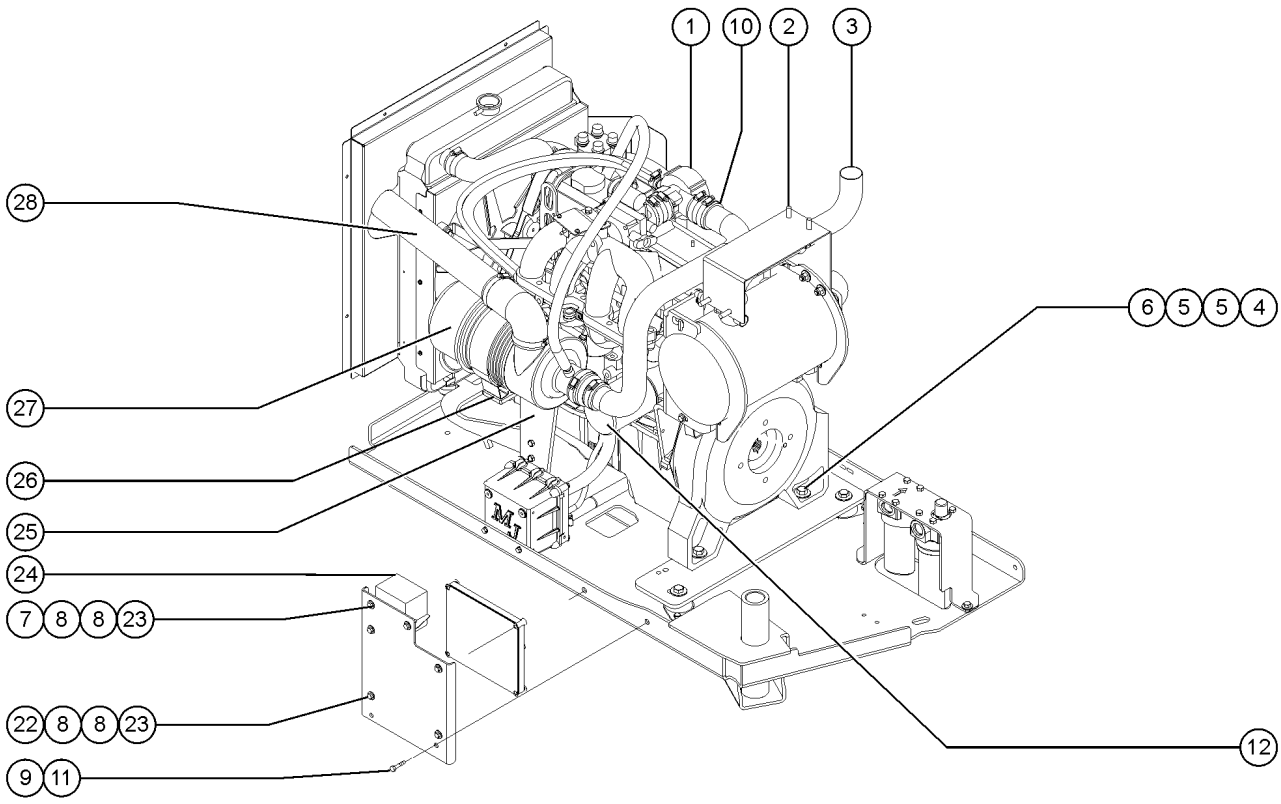
Item	Part No.	Description	Qty.
45	64079	BELL HOUSING KIT, FORD 425EFI.....1 <i>kit includes; 89811 Pump Mount Housing, 89813 Flex Plate, 37003 15 tooth Hub Coupler, and 102136 Screws 7/16-14 X 1.25</i>	1
--	128021	KIT,FBA STYLE COUPLER,FORD	
--	37003	COUPLER,HUB,15 TOOTH 7/16BOLT*	
46	106487	ENGINE PERFORMANCE MODULE T2.....1	1
47	106178	WELDMENT,MUFFLER,FORD TIER2.....1	1
48	70420	TAILPIPE,FORD LRG 425.....1	1
--	106486	SENSOR,AIR,CAT MONITOR***.....1	1
49	101998	HEAT SHIELD,EXHAUST MANIFOLD**.....1	1
50	101997	BRACKET,RELAY BLOCK MOUNT.....1	1

---

504.1 Ford LRG-425 EFI Engine - View 1 (to SN 14053)  
(continued)

***This Page Intentionally Left Blank***

505.1 Ford LRG-425 EFI Engine - View 2 (to SN 14053)

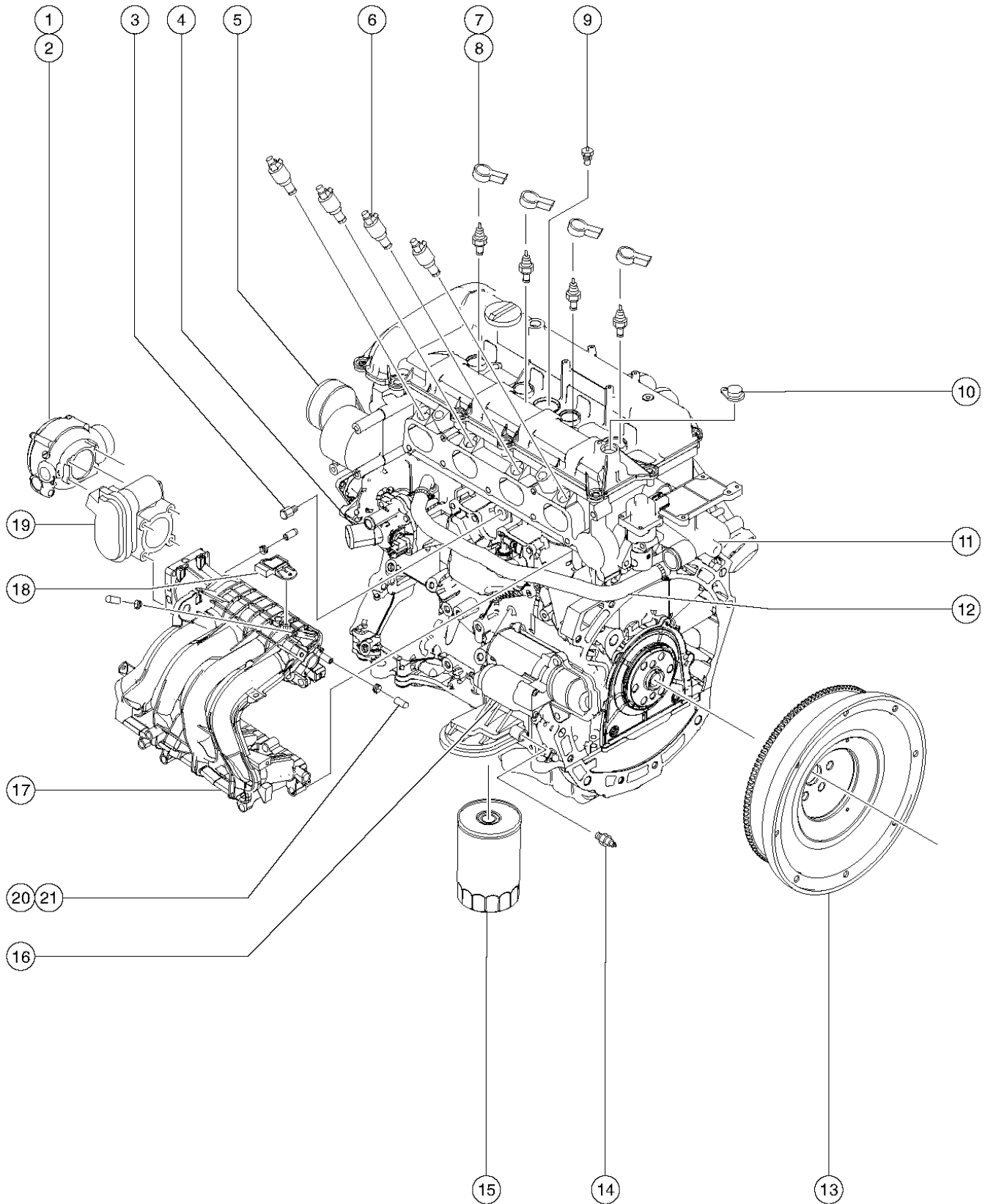


505.1 Ford LRG-425 EFI Engine - View 2 (to SN 14053)

Item	Part No.	Description	Qty.	Item	Part No.	Description	Qty.
1	106485	MIXER,AIR VALVE,TIER II FORD**.....	1	27	111634	AIR CLEANER,FORD,T3.....	1
2	102121	CLAMP,MUFFLER,1-7/8 IN.....	2	--	227988	VACUATOR VALVE	
3	70420	TAILPIPE,FORD LRG 425.....	1	--	38922	ELBOW,90DEG.1/8MPT-5/16 BARB	
--	106486	SENSOR,AIR,CAT MONITOR***.....	1	--	77295	FILTER ELEMENT,AIR,NOLFF LPG	
4	6096	SCREW,HHC,1/2-13 X 2 GR5		28	35067	TUBE,RD,ALUM 2.5 X .083.....	1
5	6095	WASHER,FLAT,USS,1/2",Y		--	45435	CLAMP,HOSE,2.50****	
6	6198	NUT,NYLOCK,1/2-13		--	50941	HOSE,90DEG 2.5" AIR INTAKE	
7	6888	SCREW,HHC,1/4-20 X 1					
8	6638	WASHER,FLAT,USS,1/4"Y					
9	6175	SCREW,HHC,3/8-16 X 1					
10	80825-200	HOSE,2.0"ID X 2.0" LG.....	2				
11	4828	NUT,NYLOCK,3/8-16					
12	28656	FILTER,OIL,FORD.....	1				
13	101128P	FORMING,MUFFLER CLAMP, PAINTED.....	1				
--	101127P	FORMING,LH MUFFLER SUPPORT PNT					
14	101063	TUBE,CLEAN AIR.....	1				
15	70425P	FORMING,ECM MOUNT PAINTED.....	1				
16	22578	SCREW,HHC,M6 X 20MM,GR8.8					
17	49407	WASHER,LOCK,M6					
18	70527	MEGAJECTOR,FUEL KIT.....	1				
--	102106	FUEL RETURN,DAPCO 5/16"					
19	8516	SCREW,HHC,3/8-16 X 1.50,GR5					
20	101121P	FORMING,RADIATOR SUP PNTD.....	1				
21	33970	COIL, ELECTRONIC IGN., FORD...1					
22	6637	SCREW,HHC,1/4-20 X 1.75					
23	6091	NUT,NYLOCK,1/4-20					
24	106605	HARNES,ENGINE W/RELAY BOX T2.....	1				
		<i>from SN 9817</i>					
--	128903	JUMPER,THROTTLE BODY,FORD 2.5L.....	1				
--	88448	HARNES,FORD LRG 425 EFI*****.....	1				
		<i>to SN 9816</i>					
25	101118P	ENGINE MOUNT FOOT,LH PNTD.....	1				
26	101064P	BRACKET,AIR CLEANER MOUNT PNTD.....	1				



506.1 Ford DSG-423 Engine - View 1 (from SN 14054)

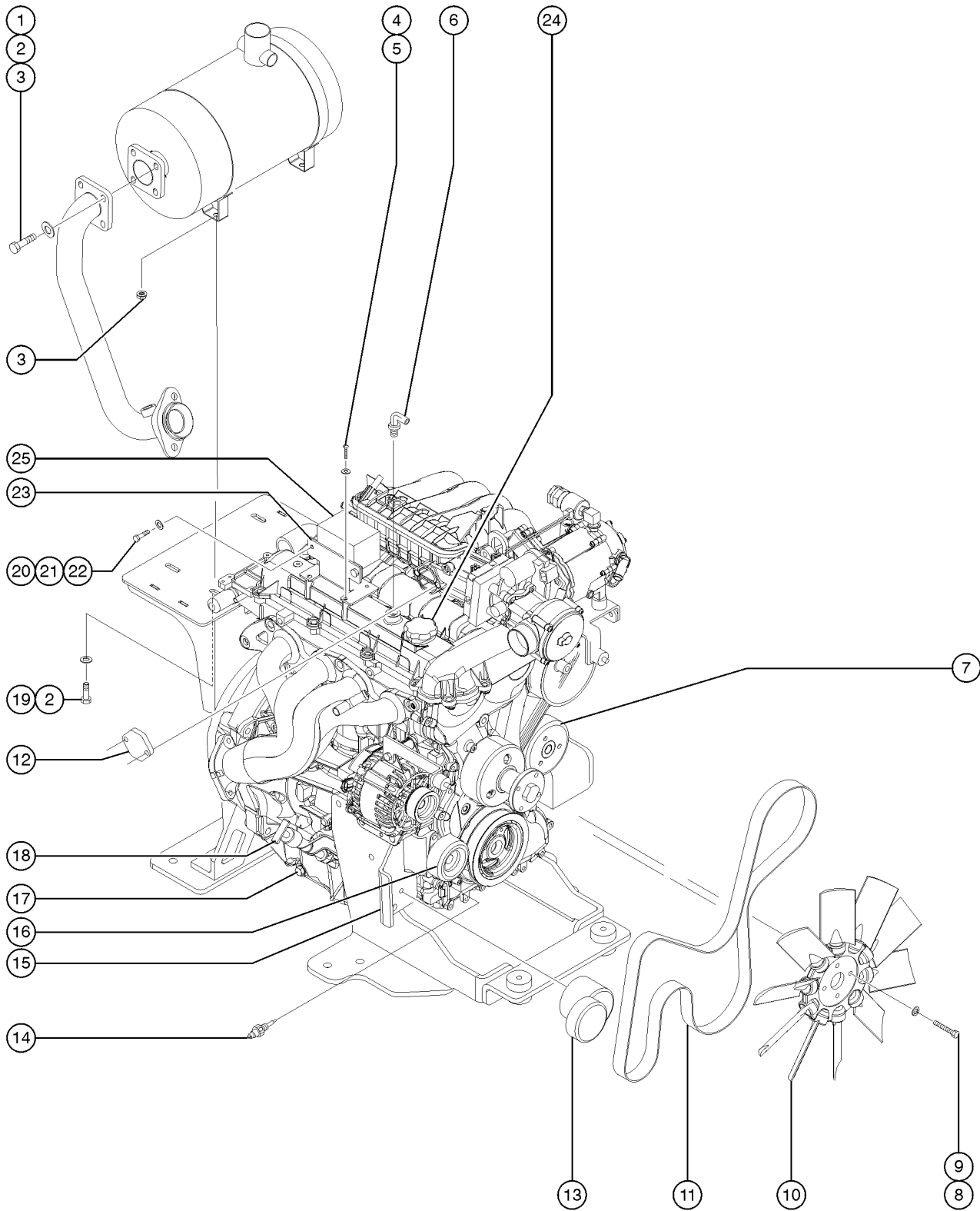


506.1 Ford DSG-423 Engine - View 1 (from SN 14054)

Item	Part No.	Description	Qty.	Item	Part No.	Description	Qty.
--	119472	HARNESS,ENGINE FORD DSG-423		--	214798	HOSE, COOLANT BYPASS, DSG423.....1	1
--	128165	RELAY,PWR/FUEL,FORD DSG423				<i>Previous hose bypass 139870 is no longer available. Order kit 214803 for first time replacement (kit includes water outlet 214796 and hose bypass 214798)</i>	
--	128166	RELAY,STARTER,FORD DSG423					
1	119135	MIXER,LPG,DSG-423.....1	1				
--	119500	GASKET,MIXER, FORD DSG423					
--	119547	O-RING,MIXER,SMOOTHED,DSG-423		13	119465	FLYWHEEL ASSEMBLY,DSG-423 FORD.....1	1
--	119548	O-RING,MIXER,RIBBED,DSG-423					
2	119142	ADAPTER,MIXER/THROTTLE BODY.....1	1	14	119481	SWITCH,OIL PRESSURE.....1	1
--	119466	GASKET,ACTUATOR PLATE		15	119139	OIL FILTER,DSG-423.....1	1
3	119498	SENSOR,KNOCK DSG-423 FORD.....1	1	16	119137	STARTER,DSG-423.....1	1
4	119551	THERMOSTAT,FORD DSG423.....1	1	17	119545	MANIFOLD,INTAKE FORD DSG-423.....1	1
5	119476	PULLEY,UPPER IDLER.....1	1	--	147016	CAP,EPDM,5/16".....2	2
6	119479	FUEL INJECTOR FORD DSG423,YL.....4	4	18	119475	MAP SENSOR, DSG-423.....1	1
		<i>yellow injector</i>		19	119960	THROTTLE,ELECT,FORD DSG423.....1	1
--	233365	FUEL INJECTOR FORD DSG423, BK <i>black injector</i>		--	88452	GASKET,THROTTLE ACTUATOR***	
7	119478	COIL ASSEMBLY.....4	4	20	147016	CAP,EPDM,5/16".....3	3
8	119495	SPARK PLUG, FORD DSG-423.....4	4	--	147015	CLAMP,SPRING,7/16"	
9	234005	SENSOR KIT, TEMPERATURE.....1	1	--	147115	KIT, VAC CAP REPLC, DSG-423 <i>(includes clamps, caps and installation instructions)</i>	
		<i>Required for first time replacement of older temperature sensor part 119480 (kit includes sensor part 233437 and wire harness part 234006)</i>		21	119568	CLAMP,SPRING,1/2".....3	3
--	233437	SENSOR, FORD TEMPERATURE					
--	234006	WIRE HARNESS, SENSOR, TEMP					
10	119497	SENSOR,CAM POSITION DSG-423.....1	1				
11	214803	KIT, DSG423 COOLANT OUTLET...1	1				
		<i>Required for first time replacement of older adapter 119461 (kit includes water outlet 214796 and hose bypass 214798)</i>					
--	214796	WATER OUTLET, FORD DSG423.....1	1				
		<i>Previous adapter 119461 is no longer available. Order kit 214803 for first time replacement (kit includes water outlet 214796 and hose bypass 214798)</i>					
12	214803	KIT, DSG423 COOLANT OUTLET...1	1				
		<i>Required for first time replacement of older hose 139780 (kit includes water outlet 214796 and hose bypass 214798)</i>					



507.1 Ford DSG-423 Engine - View 2 (from SN 14054)

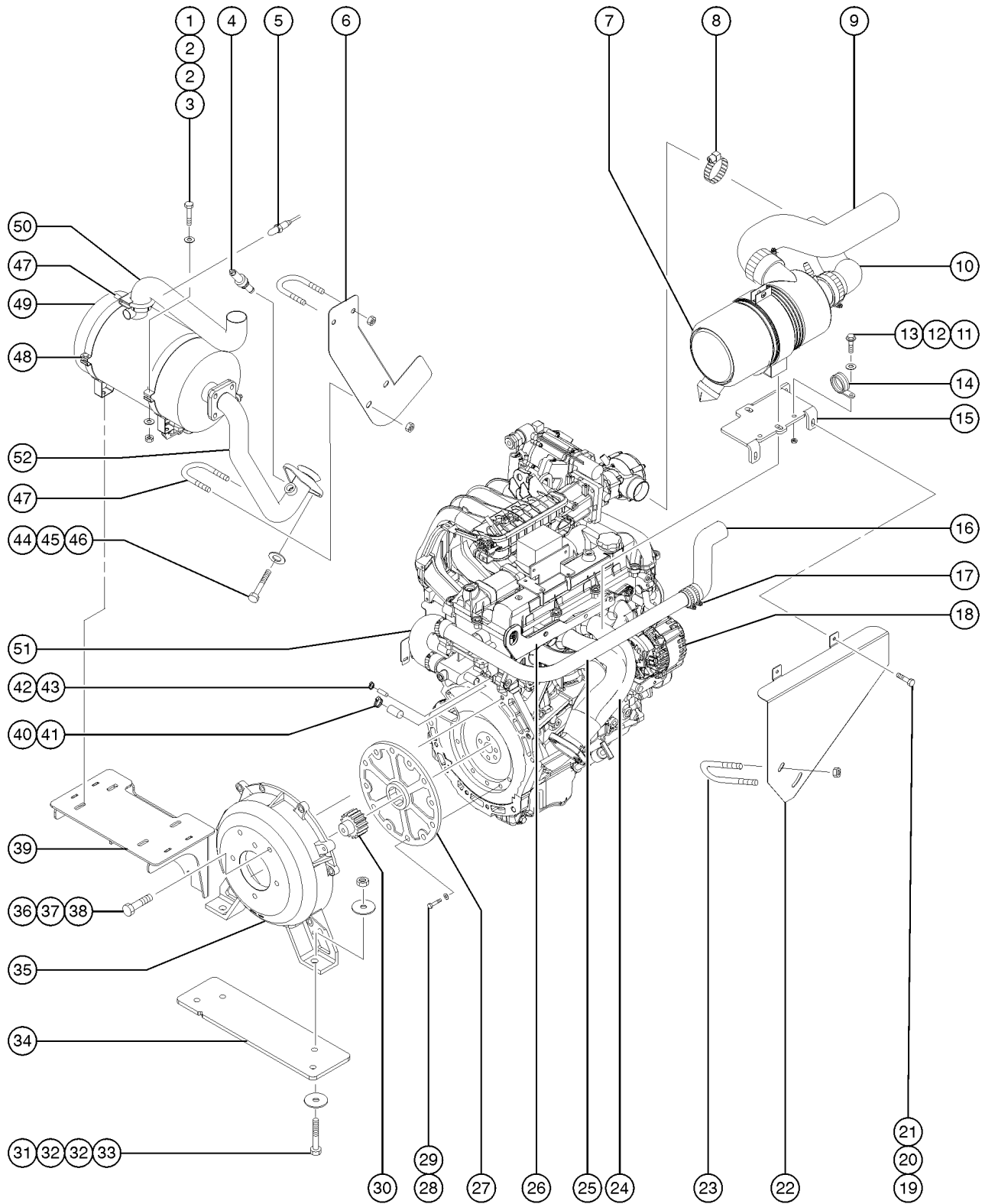




## 507.1 Ford DSG-423 Engine - View 2 (from SN 14054)

Item	Part No.	Description	Qty.
1	13000	SCREW,HHC,5/16-18 X 1.25	
2	5397	WASHER,FLAT,USS,5/16",Y	
3	18503	NUT,LOCKING-LG.FLANGE,5/16-18	
4	54365	SCREW,PHIL,PHM,10-32 X .5,SSTL	
5	25926	WASHER,FLAT,M6 PLTD.	
6	119474	VALVE,PCV FORD DSG-423.....1	
--	75631	HOSE,AIR 3/8	
7	119468	WATER PUMP, W/PULLEY.....1	
8	32309	SCREW,HHC,M8 X 60MM X 1.25	
9	49408	WASHER,LOCK,M8	
10	119153	FAN (FORD TIER 3).....1	
11	119138	BELT,SERPENTINE,DSG-423.....1	
12	119964	PLATE,BLANKING,FORD DSG423.....1	
13	119469	PULLEY AND TENSIONER,DSG423.....1	
14	119496	SENSOR,CRANK POSITION DSG-423.....1	
15	119471	BRACKET,TENSIONER.....1	
16	119544	LOWER IDLER FORD DSG-423.....1	
17	119588	OIL DRAIN PLUG,FORD DSG423...1	
18	119473	DIPSTICK, FORD DSG 423.....1	
19	13002	SCREW,HHC,5/16-18 X 1 GR5	
20	6090	SCREW,HHC,1/4-20 X .75	
21	6638	WASHER,FLAT,USS,1/4"Y	
22	6091	NUT,NYLOCK,1/4-20	
23	110768	BRACKET,RELAY BLOCK MOUNT.....1	
24	58632	CAP,OIL FILLER,FORD DSG 423....1	
25A	237856	FUSE BOX COVER.....1 <i>decal not included</i>	
25B	237857	FUSE BOX RELAY STICKER.....1 <i>(not shown) not included with 237856, order seperately</i>	
25C	237858	FUSE BOX MOUNTING,LEFT.....1 <i>(not shown) not included with 237856, order seperately</i>	
25D	237859	FUSE BOX MOUNTING,RIGHT.....1 <i>(not shown) not included with 237856, order seperately</i>	

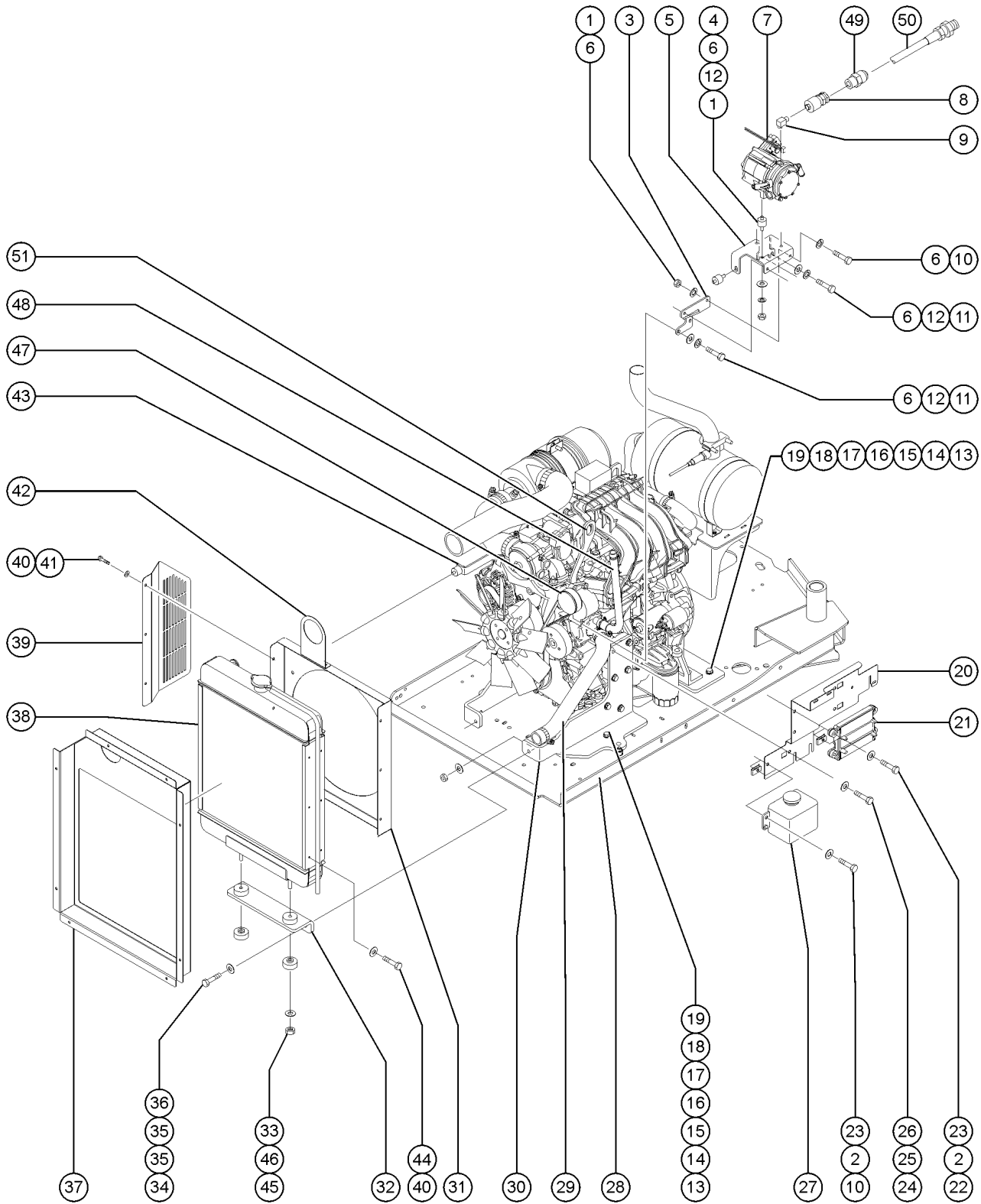
508.1 Ford DSG-423 Engine - View 3 (from SN 14054)



508.1 Ford DSG-423 Engine - View 3 (from SN 14054)

Item	Part No.	Description	Qty.	Item	Part No.	Description	Qty.
--	29606	RING GEAR,FORD*** FITS LSG-LRG 423, AND LRG425		--	128021	KIT,FBA STYLE COUPLER,FORD	
--	29616	STARTER,ENGINE,FORD LSG/LRG***		28	6019	SCREW,HHC,3/8-16 X 1.25 GRD 5	
1	14033	SCREW,HHC,3/8-16 X 2.75		29	6021	WASHER,LOCK,,.375	
2	22692	WASHER,WAVE SPRG,1X.635X.015		30	37003	COUPLER,HUB,15 TOOTH 7/16BOLT*.....1	1
3	4828	NUT,NYLOCK,3/8-16		31	6096	SCREW,HHC,1/2-13 X 2 GR5	
4	88450	SENSOR,OXYGEN LRG425EFI.....1	1	32	6095	WASHER,FLAT,USS,1/2",Y	
5	139610	SENSOR,AIR,CAT MONITOR.....1	1	33	6198	NUT,NYLOCK,1/2-13	
6	119238	FORMING,HEAT SHIELD.....1	1	34	119223	PLATE,REAR ENGINE SUPPORT.....1	1
7	111634	AIR CLEANER,FORD,T3.....1	1	35	110405	BELL HOUSING KIT,FORD DSG423.....1 <i>includes items 27 and 30</i>	1
--	227988	VACUATOR VALVE		--	119052	PUMP MOUNT,FORD DSG423	
--	53952	BRKT,AIR CLEANER ORIENTATION** <i>sold separately</i>		--	119054	HARDWARE KIT,PUMP MOUNT DSG423	
--	77295	FILTER ELEMENT,AIR,NOLFF LPG		36	10597	SCREW,HHC,1/2-13 X 1.25 GR5	
8	45435	CLAMP,HOSE,2.50"***.....2	2	37	13066	WASHER,FLAT, 5 HARDENED	
9	110421	HOSE,AIR INTAKE.....1	1	38	6033	WASHER,LOCK,0.5"	
--	45435	CLAMP,HOSE,2.50"***		39	110480	WELDMENT,CAT MOUNT.....1	1
10	110422	HOSE,AIR,MIXER.....1	1	40	119484	CAP,COOLANT 3/4.....1	1
11	13000	SCREW,HHC,5/16-18 X 1.25.....1	1	41	46131	CLAMP,HOSE,.63.....1	1
12	5397	WASHER,FLAT,USS,5/16",Y		42	147016	CAP,EPDM,5/16".....1	1
13	18503	NUT,LOCKING-LG.FLANGE,5/16-18		43	147015	CLAMP,SPRING,7/16".....1	1
14	45454	CLAMP,RUB CUSH,0.75,#12 X 3/8*.....3	3	44	25548	SCREW,HHC,M10 X 40MM,GRD8	
15	111614	FORMING,AIR CLEANER MOUNT.....1	1	45	22699	WASHER,FLAT,M10,ZINC PLTD.	
16	110758	HOSE,UPPER RADIATOR.....1	1	46	22700	WASHER,LOCK,M10	
17	119053	CLAMP,HOSE,1.50.....2	2	47	102121	CLAMP,MUFFLER,1-7/8 IN.....3	3
18	119140	ALTERNATOR,DSG-423.....1	1	48	119051	MOUNTING BAND,MUFFLER,8.0".....2	2
18A	227309	HEAT SHIELD,ALTERNATOR,FORD		49	111666	WELDMENT,MUFFLER,DSG423.....1	1
19	6888	SCREW,HHC,1/4-20 X 1		50	119234	TAILPIPE,FORD DSG423.....1	1
20	6638	WASHER,FLAT,USS,1/4"Y		51	110424	HOSE,RETURN,ENGINE.....1	1
21	6091	NUT,NYLOCK,1/4-20		52	110407	WELDMENT,HEADER PIPE.....1	1
22	111615	FORMING,HEAT SHLD,HEADER PIPE.....1	1	--	72343	GASKET,EXH FLANGE-PERKINS54555	
23	71911	CLAMP,MUFFLER, 2.50 INCH.....1	1				
24	119463	MANIFOLD,EXHAUST TURBO.....1	1				
25	112285	PIPE,COOLANT RETURN,FORD 2.3L.....1	1				
26	110777	PLATE,REAR LIFTING EYE.....1	1				
27	89813	FLEX PLATE,COUPLER (64079).....1	1				

509.1 Ford DSG-423 Engine - View 4 (from SN 14054)

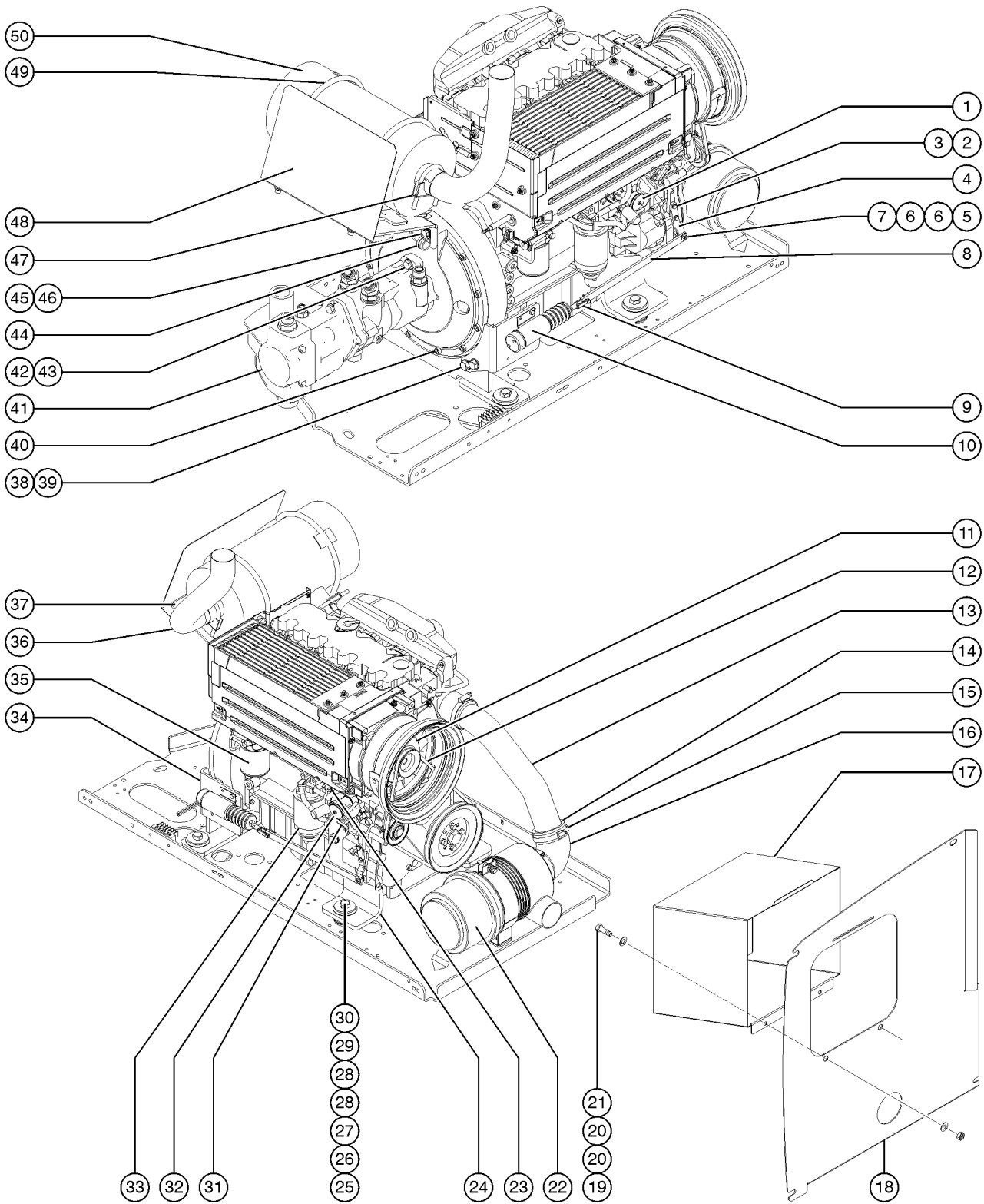


509.1 Ford DSG-423 Engine - View 4 (from SN 14054)

Item	Part No.	Description	Qty.	Item	Part No.	Description	Qty.
1	25368	NUT,NYLOCK,M8X1.25		28	101540	ENGINE TRAY ASSY W/BEARINGS.....	1
2	6638	WASHER,FLAT,USS,1/4"Y		--	35675	BEARING,FL,1.25IDX1.5ODX1.25L	
3	110892P	BRACKET,REGULATOR SUPPORT,PNTD.....	1	29	110423	HOSE,LOWER RADIATOR.....	1
4	110919	ISOLATOR,VIBRATION,M8 M/M.....	4	--	119053	CLAMP,HOSE,1.50.....	2
5	110890P	FORMING,REGULATOR MOUNT,PTD.....	1	30	110416	FORMING,LEFT ENGINE SUPPORT.....	1
6	33277	WASHER,FLAT,M8,YELLOW ZINC		--	110414	FORMING,RIGHT ENGINE SUPPORT	
7	119826	REGULATOR,LPG,DSG-423.....	1	31	110413	FORMING,FAN SHROUD.....	1
--	119546	KIT,FITTING,REGULATOR DSG-423		32	110417	FORMING,RADIATOR SUPPORT**.....	1
7A	102119	HOSE,3/4,LP.....8-inches <i>from regulator to mixer</i>		33	24038	SHOCK MOUNT,SMALL.....	4
8	119232	LOCKOFF,LP,FORD DSG-423.....	1	34	8516	SCREW,HHC,3/8-16 X 1.50,GR5	
9	19363	ELBOW,130239-4-4.....	1	35	6097	WASHER,FLAT,USS,3/8",Y	
10	75159	SCREW,HHC,M8X1.25X 25MM,GR8.8		36	4828	NUT,NYLOCK,3/8-16	
11	49386	SCREW,HHC,M8 X 40		37	110997	BAFFLE,RADIATOR,FORD.....	1
12	49408	WASHER,LOCK,M8		38	110406	RADIATOR,FORD DSG423.....	1
13	10598	SCREW,HHC,1/2-13 X 3		--	131589	HOSE,OVERFLOW,RADIATOR.....	1
14	6095	WASHER,FLAT,USS,1/2",Y		39	111341	FORD TIII FAN GUARD W/DECALS.....	1
15	70452	ISOLATOR,ENGINE VIBRATION***.....	4	40	21019	SCREW,PHIL,PHM,10-24 X.5,SEMS	
16	101730	SPACER,ENGINE MOUNT.....	4	41	6146	WASHER,FLAT,MS,#10,Y	
17	101729	WASHER,VIBRATION ISOLATING.....	4	42	110995	GUIDE,HOSE,FORD.....	1
18	24040	WASHER,1/2 PLATE(1/2X2.25X3/16		43	110419	FORMING,RADIATOR BRACE LEFT.....	1
19	6198	NUT,NYLOCK,1/2-13		--	18503	NUT,LOCKING-LG.FLANGE,5/16-18	
20	112283	FORMING,FORD GCP MOUNT.....	1	--	48498	ISOLATOR,AIR FILTER MOUNT	
21	119169	CONTROL MODULE,DSG-423..... <i>(for models with YELLOW fuel injectors)</i>	1	44	25926	WASHER,FLAT,M6 PLTD.	
22	6145	SCREW,HHC,1/4-20 X 1.5		45	48425	NUT,LOCKING-LRG.FLANGE,3/8-16	
23	56912	SPRING CLIP,1/4-20,.025-.15X.5		46	15086	WASHER,FLAT,.375 X 1.5 X .125	
24	25927	SCREW,HHC,M10 X 55MM,GRD 8.8		47	119476	PULLEY,UPPER IDLER	
25	22700	WASHER,LOCK,M10		--	119477	IDLER BRACKET	
26	22699	WASHER,FLAT,M10,ZINC PLTD.		48	119073	HOSE,COOLANT,REG INTAKE.....	1
27	70367	BOTTLE,COOLANT RECOVERY,3.7***.....	1	--	119053	CLAMP,HOSE,1.50	
--	106226-4000	TUBING, VINYL, 1/2" CLEAR		49	19358	CONNECTOR,010102-6-4	
--	115431	CAP ASSY,COOLANT BOTTLE***		50	119055	HOSE ASSY,LP GAS	
--	21465	CLAMP,HOSE,SIZE .25 TO .63		51	112400	PLATE,FRONT LIFTING EYE.....	1



510.1 Deutz BF4L-2011/TD2011-L04i Engine - View 1



510.1 Deutz BF4L-2011/TD2011-L04i Engine - View 1

Item	Part No.	Description	Qty.	Item	Part No.	Description	Qty.
--	121340	ENGINE KIT, DEUTZ TD2011L04i <i>(replaced 122059 at SN S6010-20379)</i>		17B	128896	WELDMENT, AIR INTAKE BOX.....1 <i>from SN 20379</i>	
--	58274	ENGINE, DEUTZ D2011L03I (SERV) <i>F3L1011 AND F3L1011F Engines only</i>		18	110183	BAFFLE,AIR INTAKE S60.....1	
--	70453	ENGINE KIT,DEUTZ D2011L03I <i>F3L2011 AND D2011L03I Engines only</i>		19	6175	SCREW,HHC,3/8-16 X 1	
1	111668	PUMP,FUEL 2011 DEUTZ *** .....	1	20	5397	WASHER,FLAT,USS,5/16",Y	
--	111402	O-RING, FUEL LIFT PUMP		21	4828	NUT,NYLOCK,3/8-16	
--	27089	HOSE,5/16 FUEL,SAE 30R7		22	81467	AIR CLEANER,NELSON.....1	
--	30490	HOSE,1/4 FUEL LINE,SAE 30R7		--	62425	FILTER,AIR CLEANER, SUPERBOOM	
2	22578	SCREW,HHC,M6 X 20MM,GR8.8		--	81468	MOUNTING BAND,AIR CLEANER	
3	49407	WASHER,LOCK,M6		23	111445	SENDING UNIT,OIL TEMP SWCH,DTZ.....1	
4A	50787	LEVER,GOVERNOR ACTUATOR**.....1 <i>to SN 20378</i>		24	70455	FORMING,ENGINE MOUNT	
4B	70479P	FORMING,THROTTLE ARM PAINTED <i>from SN 20379</i>		25	13003	SCREW,HHC,5/8-11 X 3.5 GRD.8	
5	6584	SCREW,SHS,10-24 X .625.....1		26	33418	WASHER,FLAT,.625 X 2.25 X.15	
6	6638	WASHER,FLAT,USS,1/4"Y.....2		27	102045	ISOLATOR,ENGINE VIBRATION	
7	5365	NUT,NYLOCK,10-24.....1		28	18596	WASHER,FLAT,1.56 X 2.5 X .061	
8A	88512	THROTTLE LINK,DSL*** <i>to SN 20378</i>		29	13064	WASHER,FLAT,.625 HARDENED	
8B	139322	THROTTLE LINKAGE, DSL.....1 <i>from SN 20379</i>		30	6024	NUT,NYLOCK,5/8-11	
9	21130	CLEVIS YOKE-1/4-28,PLTD W/PIN.....1 <i>includes clevis pin and cotter pin</i>		31	52352	DIPSTICK-F3L1011F (DEUTZ).....1	
10	77402	SOLENOID,THROTTLE ACTUATOR DSL.....1		32	58299	SENDING UNIT,OIL PRESS.,DEUTZ*.....1	
11	58249	ALTERNATOR, DEUTZ,BF4L2011*** .....	1	33	29560	FILTER,FUEL/WTR SEP, DTZ 1008.....1 <i>Genie Genuine Part. See PN 1254826 for compatible aftermarket replacement.</i>	
12	58630	V-BELT, DEUTZ TD2011LOAI.....1		--	1254826	FUEL FILTER W/SEP,DEUTZ,1008.....1 <i>Genie Aftermarket Part. Filter for Deutz F3L 1011F Engine.</i>	
13	102227	TUBE,AIR INTAKE.....1		34A	70478P	FORMING,SOLENOID MOUNT PAINTED <i>(to SN S6010-20378)</i>	
14	88064	REDUCER,3" TO 2.75".....1 <i>to SN 19171</i>		34B	139321	FORMING, SOLENOID MOUNT*** .....	11
15	30489	CLAMP,HOSE,3.50.....4				<i>(from SN S6010-20379)</i>	
16A	60561	ELBOW,INLET,CUMMINS.....1 <i>to SN 19171</i>		35	49924	FILTER,OIL,DEUTZ F4L1011F.....1 <i>Genie Genuine Part. See PN 1255653 for compatible aftermarket replacement.</i>	
16B	139455	ELBOW,AIR INTAKE,RUBBER <i>from SN 19172</i>		--	1255653	FILTER,OIL,DEUTZ,REPLACEMENT.1 <i>Genie Aftermarket Part. Compatible with Genie Genuine Part 49924.</i>	
17A	110182P	WELDMENT,COOLING AIR BOX PANTD <i>to SN 20378</i>		36	70465	TAILPIPE,DEUTZ BF4L2011.....1	



510.1 Deutz BF4L-2011/TD2011-L04i Engine - View 1  
(continued)

Item	Part No.	Description	Qty.
37	70448	FORMING,MUFFLER MOUNT.....1	
38	22558	SCREW,HHC,M14 X 40MM,GR 8.8	
39	49411	WASHER,FLAT,M14	
40	61110	SCREW,SHC,M10X1.5X30 GR 12.9	
41		Ref. HYDRAULIC PUMPS <i>refer to 404.1</i>	
42	8177	SCREW,HHC,1/2-13 X 1.5	
43	13066	WASHER,FLAT,.5 HARDENED	
44	60838	CLAMP,1.00,#16 X 7/16,RUB CUSH.....1	
45	85053	SCREW,HHC,M10 X 1.5 X70,GR 8.8	
46	22699	WASHER,FLAT,M10,ZINC PLTD.	
47	71911	CLAMP,MUFFLER, 2.50 INCH.....2	
48	102237	FORMING,HEAT SHIELD,MUFFLER.....1	
49	70449	U-BOLT,1/2-13 X 8.5.....2	
50	70444	MUFFLER,2.5"INLET/OUTLET.....1	
--	101633	MUFFLER,SPARK ARREST,2.5 I/O <i>option</i>	
--	101634	MUFFLER,CATALYTIC,2.5 I/O <i>option</i>	

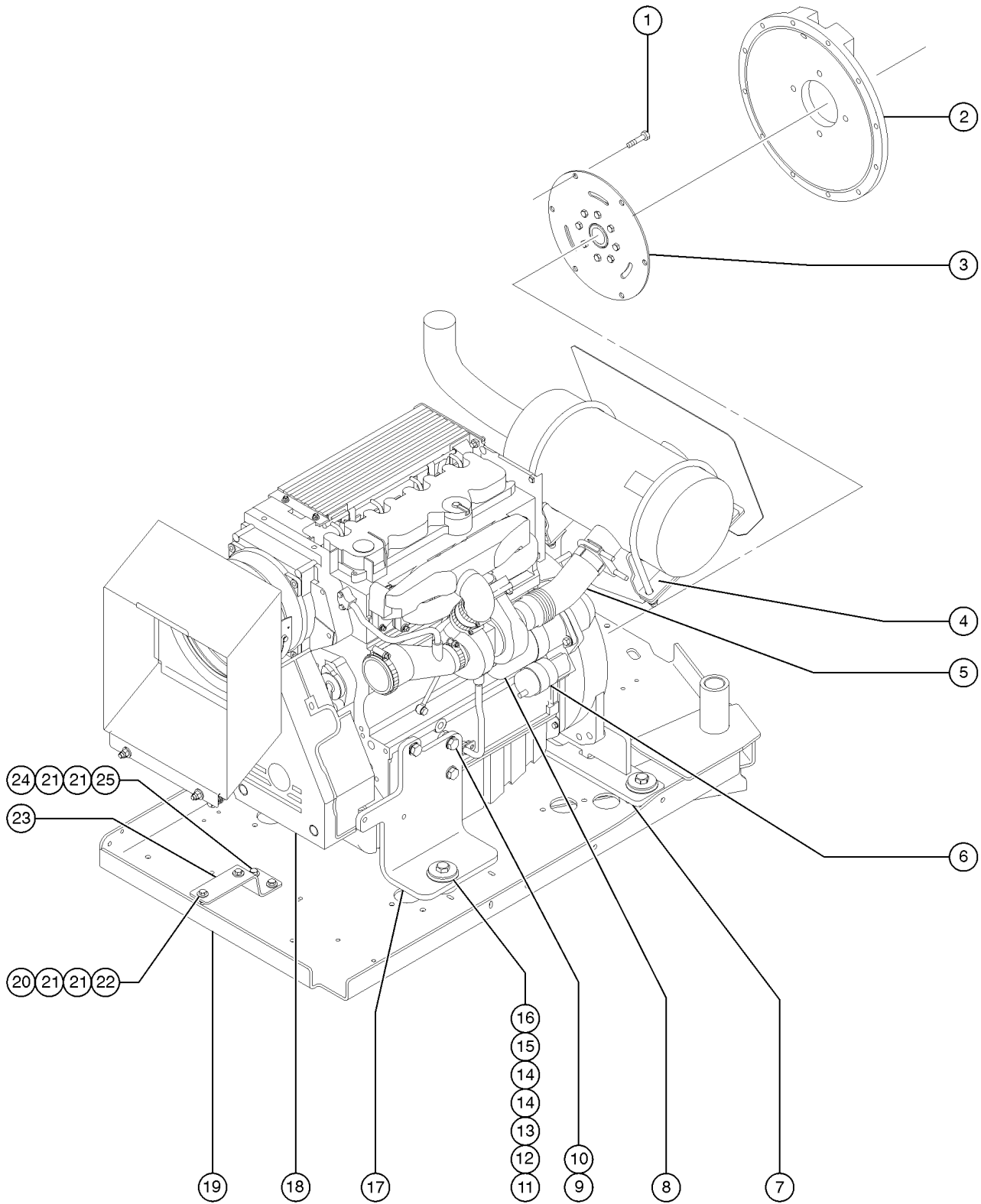


---

510.1 Deutz BF4L-2011/TD2011-L04i Engine - View 1  
(continued)

***This Page Intentionally Left Blank***

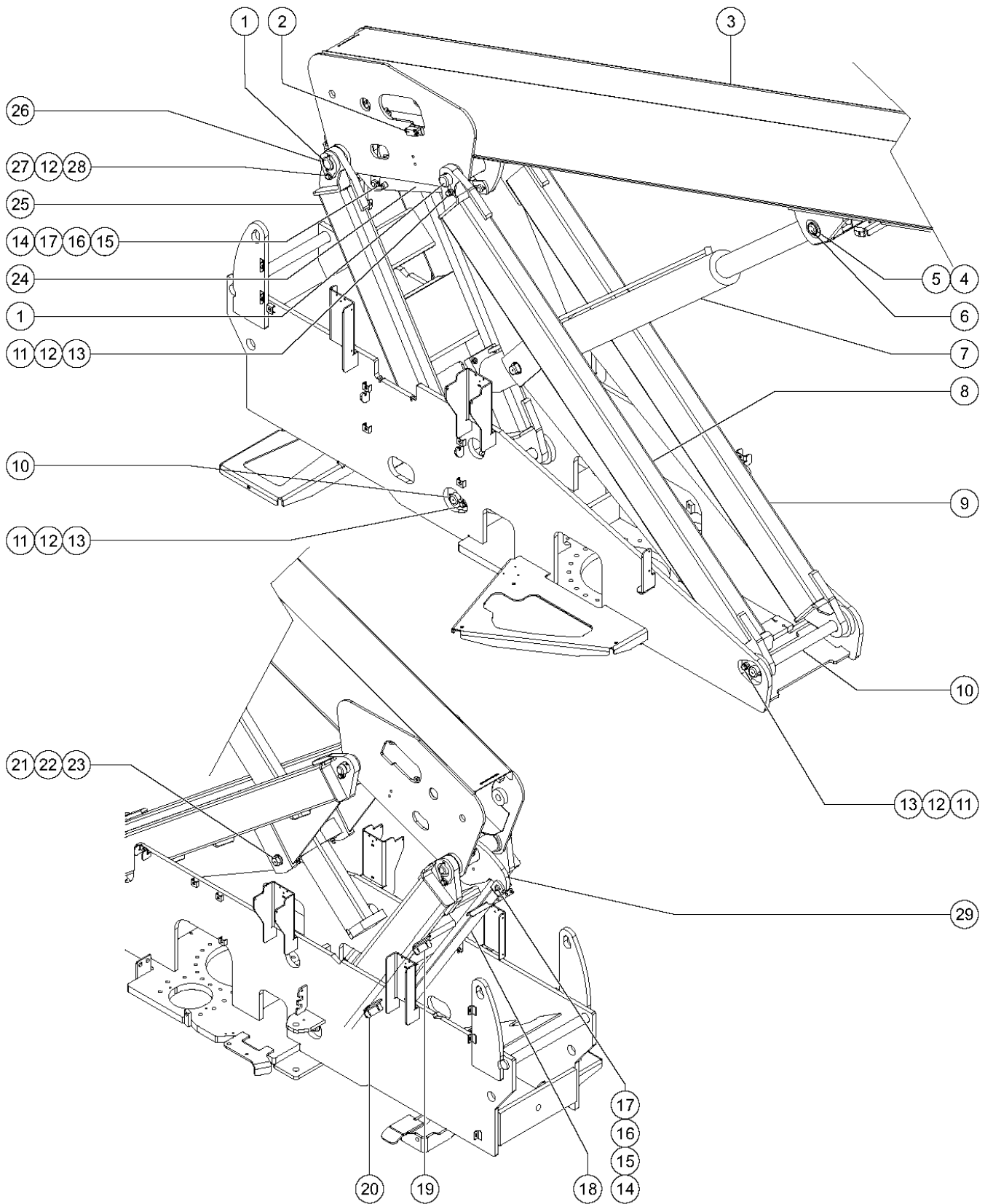
511.1 Deutz BF4L-2011/TD2011-L04i Engine - View 2



511.1 Deutz BF4L-2011/TD2011-L04i Engine - View 2

Item	Part No.	Description	Qty.	Item	Part No.	Description	Qty.
--	102581	PUMP,FUEL INJ,DEUTZ BF4L20 <i>class A injection pump; provide SN of engine to service to get correct injection pump (A, B, C, D)</i>		23	102209P	FORMING,AIR CLEANER MOUNT PNTD.....	1
--	T108732	PUMP,FUEL INJ, DEUTZ BF4L20 <i>class B injection pump; provide SN of engine to service to get correct injection pump (A, B, C, D)</i>		24	6019	SCREW,HHC,3/8-16 X 1.25 GRD 5	
--	T108733	PUMP,FUEL INJ, DEUTZ BF4L20 <i>class C injection pump; provide SN of engine to service to get correct injection pump (A, B, C, D)</i>		25	4828	NUT,NYLOCK,3/8-16	
--	T108734	PUMP,FUEL INJ, DEUTZ BF4L20 <i>class D injection pump; provide SN of engine to service to get correct injection pump (A, B, C, D)</i>					
1	62476	SCREW,SHC,M10X1.5X20MM (75090)					
2	70381	COVER,FLYWHEEL CASTING.....	1				
3	128004	COUPLER,15 TOOTH,FBA,SAE8***					
4	70483	FORMING,8.5' MUFFLER MOUNT.....	1				
5	70445	FLEX PIPE,EXHAUST,2.5" DIA.....	1				
--	139983	EXHAUST PIPE GASKET					
6	49915	SOLENOID-STARTR DEUTZF4L1011F*.....	1				
7	70456	WELDMENT,REAR ENGINE MOUNT.....	1				
8	139709	STARTER, 12V.....	1				
9	22558	SCREW,HHC,M14 X 40MM,GR 8.8					
10	49411	WASHER,FLAT,M14					
11	13003	SCREW,HHC,5/8-11 X 3.5 GRD.8...4					
12	33418	WASHER,FLAT,.625 X 2.25 X.15					
13	102045	ISOLATOR,ENGINE VIBRATION....4					
14	18596	WASHER,FLAT,1.56 X 2.5 X .061					
15	13064	WASHER,FLAT,.625 HARDENED....4					
16	6024	NUT,NYLOCK,5/8-11					
17	70454P	FORMING,ENGINE MOUNT PAINTED.....	1				
18	146061	V-BELT GUARD, DEUTZ 2011.....	1				
19		ENGINE TRAY <i>refer to section 304.1</i>					
20	13002	SCREW,HHC,5/16-18 X 1 GR5					
21	5397	WASHER,FLAT,USS,5/16",Y					
22	6782	NUT,NYLOCK,5/16-18					

601.1 Linkage Assembly (to SN 15752)



601.1 Linkage Assembly (to SN 15752)

Item	Part No.	Description	Qty.	Item	Part No.	Description	Qty.
1	88665	PIN,2.25DIA X 19.25LG,CHAMFER...2		--	119056	CONN PLUG 2 WAY ENDCAP DT	
2		Ref. Primary Limit Switch (refer to 602.1)		--	19491	CONTACTOR,LIMIT SWITCH	
3		Ref. Number 1 Boom Tube (refer to 602.1)		--	43960	WIRE CABLE,16/4 CON.TPE JKT.....86-inches	
4	18716	SNAP RING,EXTERNAL,2.00 DIA.....2		--	54260	TERM,NI SOC,14-16GA,BULK	
5	18730	WASHER,FLAT,2.01 X 3.5 X .06		--	60425	LOCK,PLUG 2 WAY, 14-18GA	
6	88872	PIN,2.00DIA X 11.18LG,2RING.....1		--	73814	CONN,DSCH,BOOT,DT2S-BT	
7	88653	CYLINDER,LIFT,S60*** .....1		--	88356-11103	SWITCH,LIMIT,W/RLR ARM,NO/NC	
--	101252	SEAL KIT (88653)		--	97128	ROLLER ARM,LIMIT SWITCH***	
--	1262331	KIT, GLAND NUT, S60 LIFT CYL. for 88653		20	88929	HARNESS,LS,OP,PRIMARY VELOCITY.....1	
--	18720	BEARING,2.0ID X 2.25OD X 1.50L		--	119058	CONN PLUG 4 WAY ENDCAP DT	
--	61602	VALVE,COUNTERBAL.CBBB-LHN@3500		--	43960	WIRE CABLE,16/4 CON.TPE JKT.....61-inches	
8A	88742	WELDMENT,LONG LINK LH.....1 to SN 13874 (bearings not included)		--	54260	TERM,NI SOC,14-16GA,BULK	
--	88920	BEARING,FL,2.00ID X 2.25OD X 1.50L		--	60429	LOCK,PLUG 4 WAY,14-18GA	
8B	139601	ASSY, LONG LINK LT W/BEARINGS from SN 13875		--	73739	BOOT,PLUG 4 WAY	
9A	88892	WELDMENT,LONG LINK RT.....1 to SN 13874 (bearings not included)		--	88356-11103	SWITCH,LIMIT,W/RLR ARM,NO/NC	
--	88920	BEARING,FL,2.00ID X 2.25OD X 1.50L		21	88666	PIN,2 X 5.75 LG.....1	
9B	139602	ASSY, LONG LINK RT W/BEARINGS from SN 13875		22	13854	SCREW,HHC,1/2-13 X 4.5,GRD.8	
10	88676	PIN,2.00DIA X 24.00LG,CHAMFER***.1		23	6198	NUT,NYLOCK,1/2-13	
--	10597	SCREW,HHC,1/2-13 X 1.25 GR5		24	88668	CYLINDER,MASTER,S60,S65.....1 component no longer available	
--	107808	ARM SPACER*** to SN 13874		--	101253	SEAL KIT (88668) for 88668	
--	110908	WELDMENT, LONG LINK SPACER from SN 13875		--	75470	SEAL KIT,CYL,S45 MASTER(81694) for 81694	
--	14815	PIN,ROLL,SST,.25 X 2.25 to SN 13874		--	81694	CYLINDER,MASTER	
11	8177	SCREW,HHC,1/2-13 X 1.5		25	88764	WELDMENT,SHORT LINK.....1 to SN 13874	
12	6033	WASHER,LOCK,0.5"		--	119045	WELDMENT, SHORT LINK.....1 from SN 13875	
13	30418	ROD END,.50 X 4.....2		26	107856	PLATE,PIN RETAINER,2.25 DIA.** .....2 from SN 11295	
14	34276	PIN,1.25DIA X 3.37LG,1HOLE.....1		--	107869	PIN,.50DIA X 3.163LG.***	
15	25284	ROD END,.375 X 2.25*** .....2		--	107870	KIT,SERVICE,S60 PIVOT PIN***	
16	6021	WASHER,LOCK,.375		27	8177	SCREW,HHC,1/2-13 X 1.5 to SN 11294	
17	6175	SCREW,HHC,3/8-16 X 1		--	94747	SCREW,HHC,1/2-13 X 1.75 GRD 8 from SN 11295	
18	88675	WELDMENT,MASTER LINK.....1		28	30418	ROD END,.50 X 4.....2 to SN 11294	
19	88926	HARNESS,LS,OP,PRIMARY ANGLE.....1					

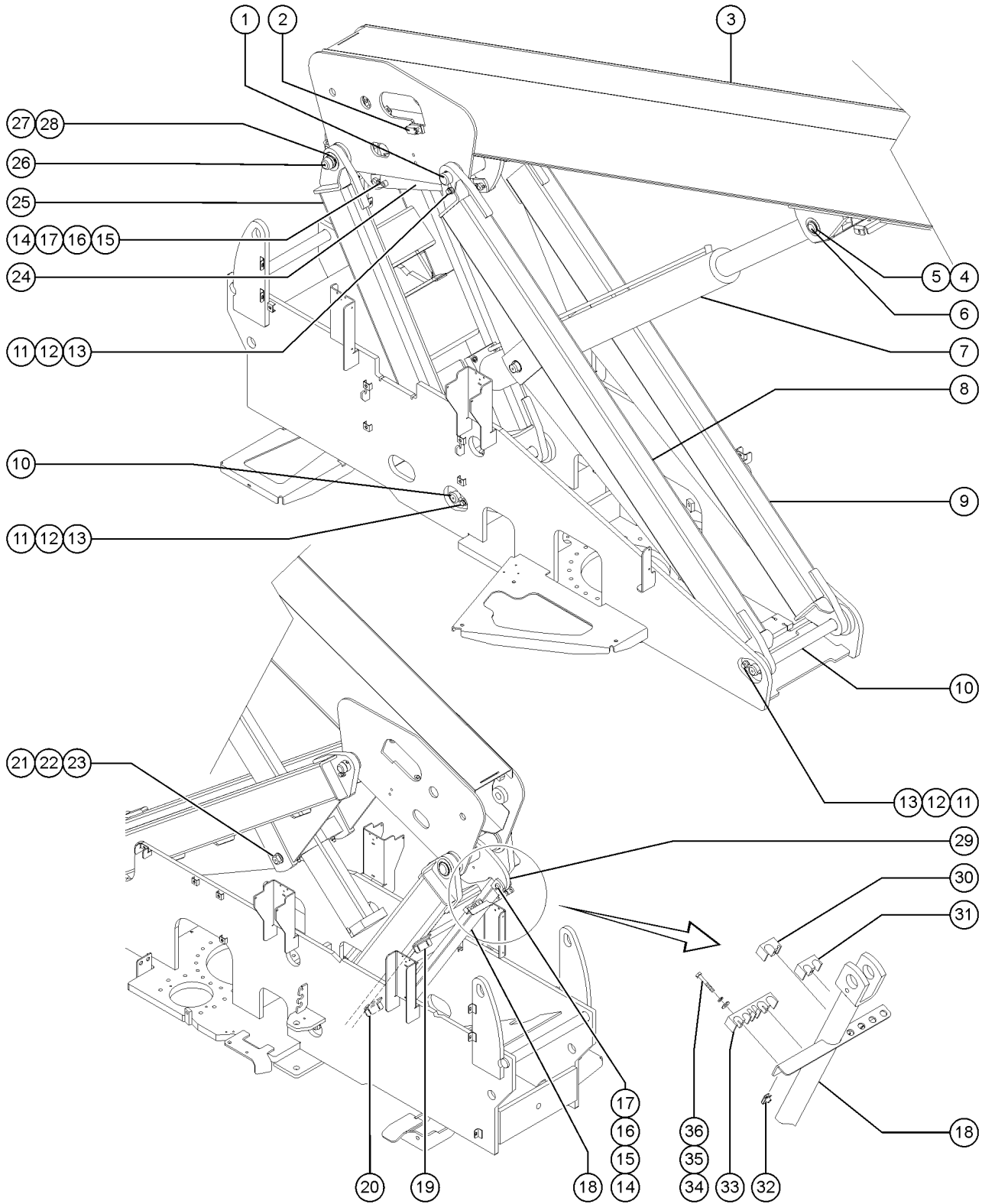


601.1 Linkage Assembly (to SN 15752)  
(continued)

Item	Part No.	Description	Qty.
--	13066	WASHER,FLAT,.5 HARDENED <i>from SN 11295</i>	
29	77672	WELDMENT,TIMING LINK CAM.....1	
--	30370	BEARING,1.25IDX1.5ODX1.00L	
--	88919	BEARING,FL,2.25IDX2.50ODX1.63L	

***This Page Intentionally Left Blank***

601.2 Linkage Assembly (from SN 15753)





601.2 Linkage Assembly (from SN 15753)

Item	Part No.	Description	Qty.	Item	Part No.	Description	Qty.
1	88665	PIN,2.25DIAX19.25LG,CHAMFER...1		18	88675	WELDMENT,MASTER LINK.....1	
2		HARNESS,LS,OP,PRIMARY EXT/RET.....1 <i>refer to section 602.1</i>		19	88926	HARNESS,LS,OP,PRIMARY ANGLE.....1	
3		ASSEMBLY,BOOM TUBE #1 S60/65.....1 <i>refer to section 602.1</i>		--	119056	CONN PLUG 2 WAY ENDCAP DT	
4	18716	SNAP RING,EXTERNAL,2.00 DIA.....2		--	19491	CONTACTOR,LIMIT SWITCH	
5	18730	WASHER,FLAT,2.01 X 3.5 X .06		--	43960	WIRE CABLE,16/4 CON.TPE JKT.....86-inches	
6	88872	PIN,2.00DIAX11.18LG,2RING.....1		--	54260	TERM,NI SOC,14-16GA,BULK	
7	88653	CYLINDER,LIFT,S60***.....1		--	60425	LOCK,PLUG 2 WAY, 14-18GA	
--	101252	SEAL KIT (88653)		--	73814	CONN,DSCH,BOOT,DT2S-BT	
--	1262331	KIT, GLAND NUT, S60 LIFT CYL. <i>for 88653</i>		--	88356-11103	SWITCH,LIMIT,W/RLR ARM,NO/NC	
--	18720	BEARING,2.0IDX2.25ODX1.50L		--	97128	ROLLER ARM,LIMIT SWITCH***	
--	61602	VALVE,COUNTERBAL.CBBB-LHN@3500		20	88929	HARNESS,LS,OP,PRIMARY VELOCITY.....1	
7A	107825	CYLINDER, LIFT, S60HC.....1 <i>FOR S-60 HC</i>		--	119058	CONN PLUG 4 WAY ENDCAP DT	
--	101252	SEAL KIT (88653).....1 <i>FOR S-60 HC</i>		--	19491	CONTACTOR,LIMIT SWITCH	
--	128464	VALVE,COUNTERBAL.CWCK-LHN@3500.1 <i>FOR S-60 HC</i>		--	43960	WIRE CABLE,16/4 CON.TPE JKT.....61-inches	
--	60984	VALVE,COUNTERBAL.CBBB-LJN@5000.2 <i>FOR S-60 HC</i>		--	54260	TERM,NI SOC,14-16GA,BULK	
8	139601	ASSY, LONG LINK LT W/BEARINGS.....1		--	60429	LOCK,PLUG 4 WAY,14-18GA	
--	18722	BEARING,2.25IDX2.50ODX1.50L*		--	73739	BOOT,PLUG 4 WAY	
--	88920	BEARING,FL,2.00IDX2.25ODX1.50L		--	88356-11103	SWITCH,LIMIT,W/RLR ARM,NO/NC	
9	139602	ASSY, LONG LINK RT W/BEARINGS.....1		--	97128	ROLLER ARM,LIMIT SWITCH***	
--	18722	BEARING,2.25IDX2.50ODX1.50L*		21	88666	PIN,2 X 5.75 LG.....1	
--	88920	BEARING,FL,2.00IDX2.25ODX1.50L		22	13854	SCREW,HHC,1/2-13 X 4.5,GRD.8	
10	88676	PIN,2.00DIAX24.00LG,CHAMFER***.1		23	6198	NUT,NYLOCK,1/2-13	
--	10597	SCREW,HHC,1/2-13 X 1.25 GR5		24	88668	CYLINDER,MASTER,S60,S65.....1 <i>component no longer available</i>	
--	110908	WELDMENT, LONG LINK SPACER		--	101253	SEAL KIT (88668) <i>for 88668</i>	
11	8177	SCREW,HHC,1/2-13 X 1.5		--	75470	SEAL KIT,CYL,S45 MASTER(81694) <i>for 81694</i>	
12	6033	WASHER,LOCK,0.5"		--	81694	CYLINDER,MASTER	
13	30418	ROD END,.50 X 4.....2		25	119992	SHORT LINK W/BEARINGS, SERVICE.....1 <i>(includes items 26-28)</i>	
14	34276	PIN,1.25DIAX3.37LG,1HOLE.....1		--	119991	WELDMENT, SHORT LINK	
15	25284	ROD END,.375 X 2.25***.....2		--	18720	BEARING,2.0IDX2.25ODX1.50L	
16	6021	WASHER,LOCK,.375		--	18722	BEARING,2.25IDX2.50ODX1.50L*	
17	6175	SCREW,HHC,3/8-16 X 1		26	119990	PIN,2.25DIAX18.75LG,CHAMFER...1	
				27	18731	WASHER,FLAT,2.27 X 3.5 X .06.....6	

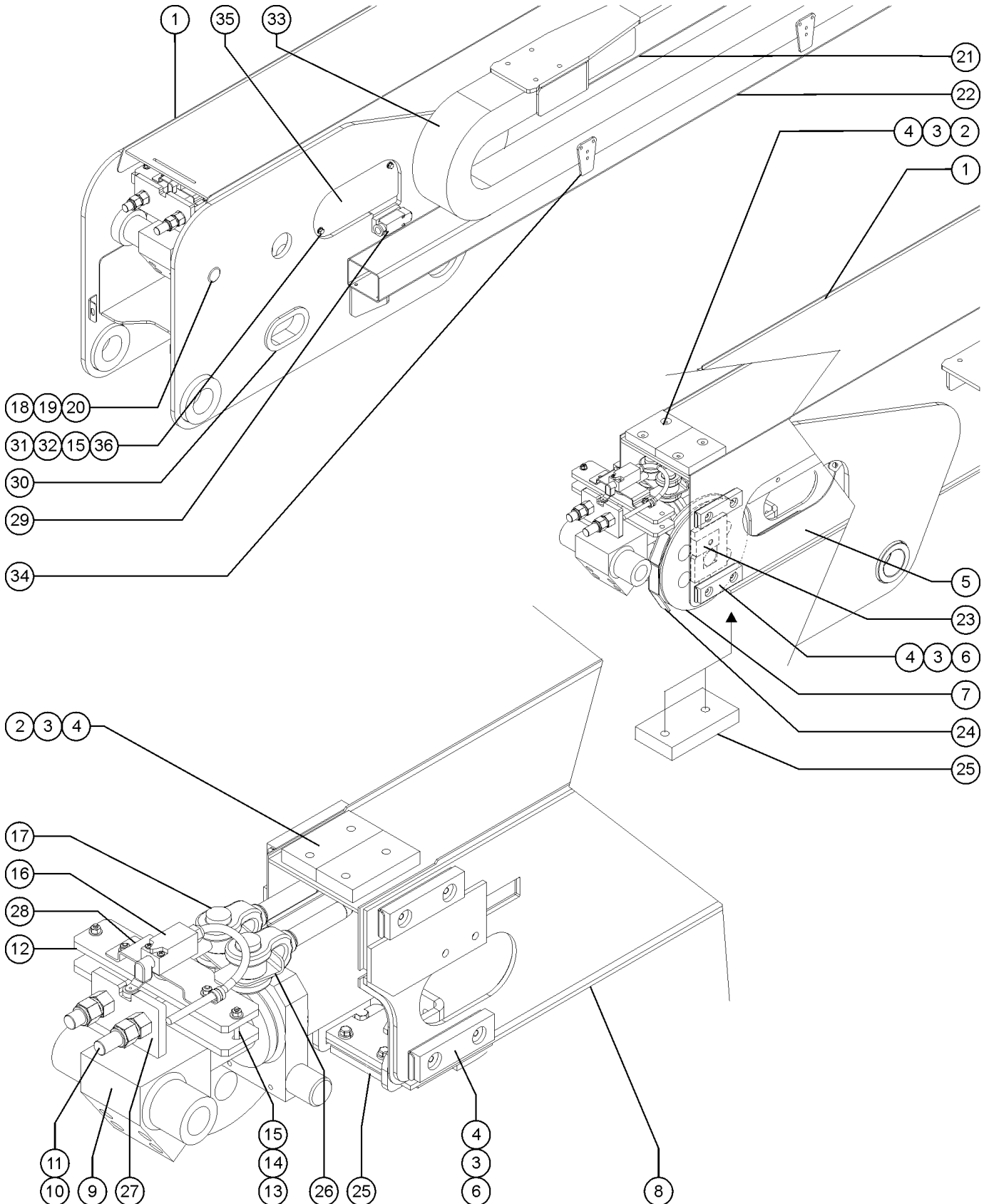


601.2 Linkage Assembly (from SN 15753)  
(continued)

Item	Part No.	Description	Qty.
28	18717	SNAP RING,EXTERNAL,2.25 DIA.....	2
29	77672	WELDMENT,TIMING LINK CAM.....	1
--	30370	BEARING,1.25IDX1.5ODX1.00L	
--	88919	BEARING,FL,2.25IDX2.50ODX1.63L	
30	70290	CLAMP,LINK,LH.....	1
		<i>to SN 20420</i>	
--	139790	CLAMP, PULL TUBE.....	1
		<i>from SN 20421</i>	
31	70289	CLAMP,LINK,LH WELD WIRE.....	1
32	25969	CLIP,SPRING,1/4-20 BLACK.....	4
33	70292	CLAMP,LINK,RH	
		<i>to SN 20420</i>	
--	139793	CLAMP, TIMING LINK	
		<i>from SN 20421</i>	
34	6637	SCREW,HHC,1/4-20 X 1.75.....	4
35	6356	WASHER,LOCK,.25.....	4
36	6638	WASHER,FLAT,USS,1/4"Y.....	4

*This Page Intentionally Left Blank*

602.1 Boom Components - View 1



602.1 Boom Components - View 1

Item	Part No.	Description	Qty.	Item	Part No.	Description	Qty.
1A	94690	ASSEMBLY,BOOM TUBE #1 S60/65.....1 <i>USA/Canadian/Australia; to SN 20420</i>	1	16	88927	HARNES,LS,OP,CABLE TENSION.....1	1
--	147227	#1 BOOM TUBE ASSY,W/WORD DECAL <i>USA/Canadian/Australia; from SN 20421</i>		--	119067	CONN,RECEP 4 WAY ENDCAP DT	
				--	19491	CONTACTOR,LIMIT SWITCH	
				--	43960	WIRE CABLE,16/4 CON.TPE JKT.....15-inches	
1B	101435	#1 BOOM TUBE ASSM, W/SYM DECAL <i>CE/Asia/South America; to SN 20420</i>		--	54259	TERM,NI PIN, 14-16GA,BULK	
--	147226	#1 BOOM TUBE ASSM, W/SYM DECAL <i>CE/Asia/South America; from SN 20421</i>		--	60443	LOCK,RECEP 4 WAY,14-18GA	
				--	73725	BOOT,DTSCH,DTP4-BT	
--	18720	BEARING,2.0IDX2.25ODX1.50L.....2	2	--	88356-13103	SWITCH,LIMIT,W/RLLR ARM,NO/NC	
--	30370	BEARING,1.25IDX1.50DX1.00L.....1	1	--	97128	ROLLER ARM,LIMIT SWITCH***	
--	88919	BEARING,FL,2.25IDX2.50ODX1.63L.4	4	17	19440	PIN,CLEVIS,1 X 2.5 LG.....2	2
2	34124	WEAR PAD,5 X 3 X .625 W/INSER.....4	4	18A	94641	PIN,1.50DIA X 12.93LG,2RING <i>(from SN 9154 to 13257)</i>	
--	34344	SHIM,SIDE PAD 16GA. 3 X 5		18B	81856	PIN,1.50DIA X 13.43LG,2RING.....1 <i>(from SN 13258 to 21000)</i>	1
3	6021	WASHER,LOCK, .375		19	18383	SNAP RING,EXTERNAL,1.5 DIA***.....2	2
4	6175	SCREW,HHC,3/8-16 X 1		20	18596	WASHER,FLAT,1.56 X 2.5 X .061	
5	63078	WELDMENT,BOOM SECTION # 2***.....1	1	21		WELDMENT,CABLE TRACK TUBE.....1 <i>refer to section 607.1</i>	1
6	30138	WEAR PAD,5 X 1.5 X .625 W/NUTS		22		WELDMENT,CABLE TRACK TRAY.....1 <i>refer to section 607.1</i>	1
7	88568	SHEAVE,RETRACT CABLE(SMALLER).....2	2	23	88795	CAP,EXTENSION.....1	1
8	94692	ASSEMBLY,BOOM TUBE #3 S60/65.....1 <i>USA/Canadian/Australia</i>	1	--	6021	WASHER,LOCK, .375	
--	119567	ASSEMBLY,BOOM TUBE #3 S60/65 <i>CE/Asia/South America</i>		--	6097	WASHER,FLAT,USS,3/8",Y	
--	34245	BEARING,1.25IDX1.50X1.25L.....2	2	--	6175	SCREW,HHC,3/8-16 X 1	
9	88571	CYLINDER,BOOM EXTENSION.....1	1	24	107665P	COVER,RETRACT SHEAVE,PAINTED.....1 <i>to SN 11156</i>	1
--	101251	SEAL KIT (88571)		--	107665P	COVER,RETRACT SHEAVE,PAINTED <i>from SN 11157</i>	
--	74872	VALVE,COUNTERBALANCE 3000 PSI*.....1	1	25	77718	WEAR PAD,5 X 3 X .75.....2	2
--	88667	VALVE,CB.CBCA-LHN@1500PSI....1	1	--	34344	SHIM,SIDE PAD 16GA. 3 X 5	
10	77656	ROD END,CABLE		--	38621	SHIM,PAD,5 X 3	
11	10258	NUT,NYLOCK,3/4-10		--	6019	SCREW,HHC,3/8-16 X 1.25 GRD 5	
12	77654P	PLATE,ROCKER.....2	2	--	6021	WASHER,LOCK, .375	
13	8179	SCREW,HHC,1/4-20 X 2.25		26	77618P	PLATE,ANTIROTATION.....1	1
14	6091	NUT,NYLOCK,1/4-20		27	77795	MACHINED PIVOT PLATE WELDMENT.....1	1
15	6638	WASHER,FLAT,USS,1/4"Y					

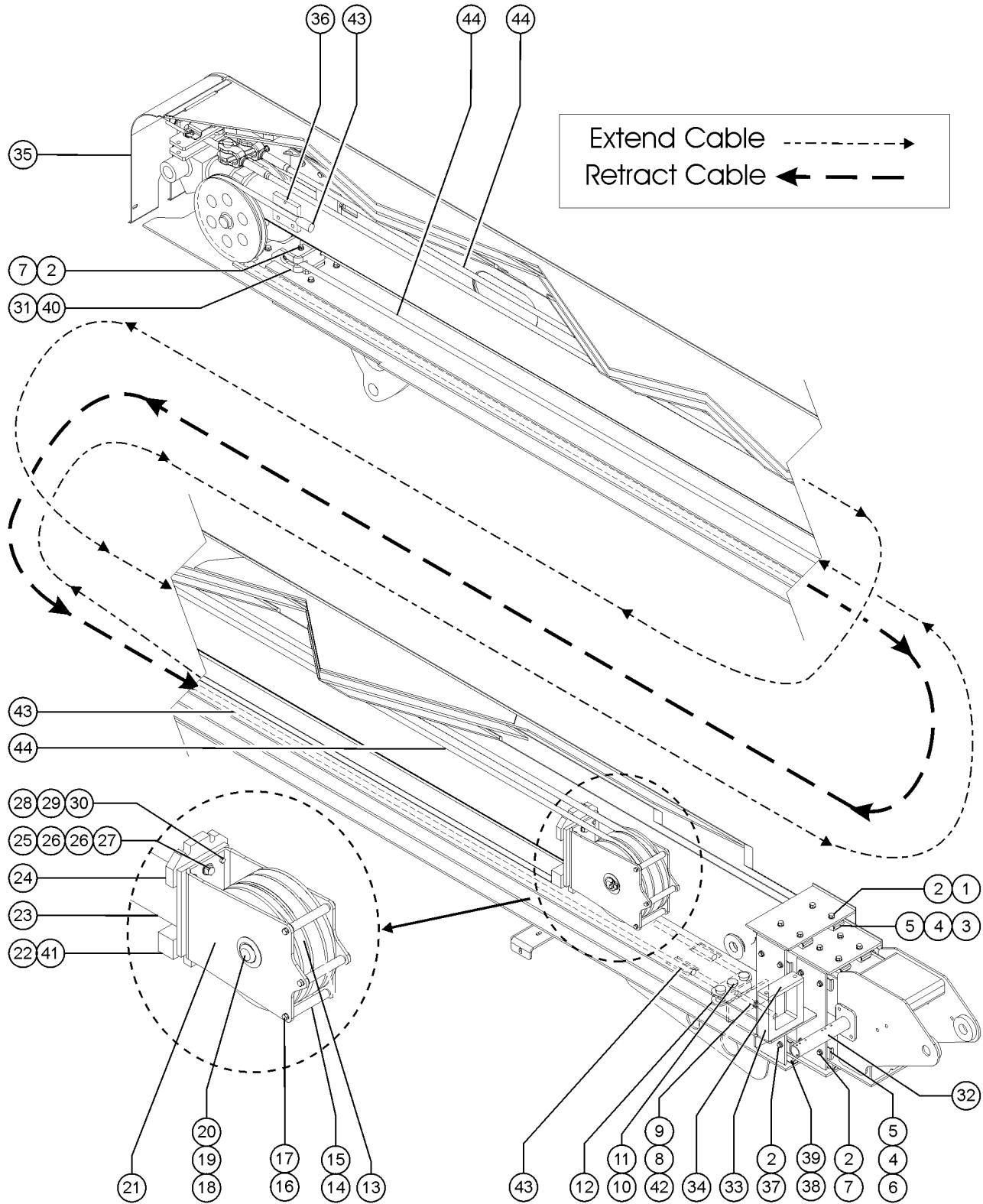


602.1 Boom Components - View 1  
(continued)

Item	Part No.	Description	Qty.
28	77653P	FORMING,LIMIT SWITCH BRACKET.....	1
--	6091	NUT,NYLOCK,1/4-20	
--	6638	WASHER,FLAT,USS,1/4"Y	
--	6888	SCREW,HHC,1/4-20 X 1	
29	88836	HARNESS,LS,OP,PRIMARY EXT/RET.....	1
--	119065	CONN,RECEP 2 WAY ENDCAP DT	
--	19491	CONTACTOR,LIMIT SWITCH	
--	43960	WIRE CABLE,16/4 CON.TPE JKT.....	23-inches
--	54259	TERM,NI PIN, 14-16GA,BULK	
--	60439	LOCK,RECEP 2 WAY, 14-18GA	
--	73811	CONN,DSCH,BOOT,DT2P-BT	
--	88356-14963	SWITCH,LIMIT,W/RLLR ARM,NO/NC	
30	71768	GROMMET,4.00 GRV. X .75 THK.....	1
31	6090	SCREW,HHC,1/4-20 X .75	
32	6356	WASHER,LOCK,.25	
33		CABLE TRACK,STEEL 49 LINKS.... <i>refer to section 607.1</i>	1
34		CABLE TRACK GUIDE TRIANGLE.....	10
		<i>refer to section 607.1</i>	
35	77882	COVER,RH,BOOM SECTION #1.....	1
--	147403	COVER,LH,BOOM SECTION #1	
36	56912	SPRING CLIP,1/4-20,.025-.15X.5	

*This Page Intentionally Left Blank*

603.1 Boom Components - View 2



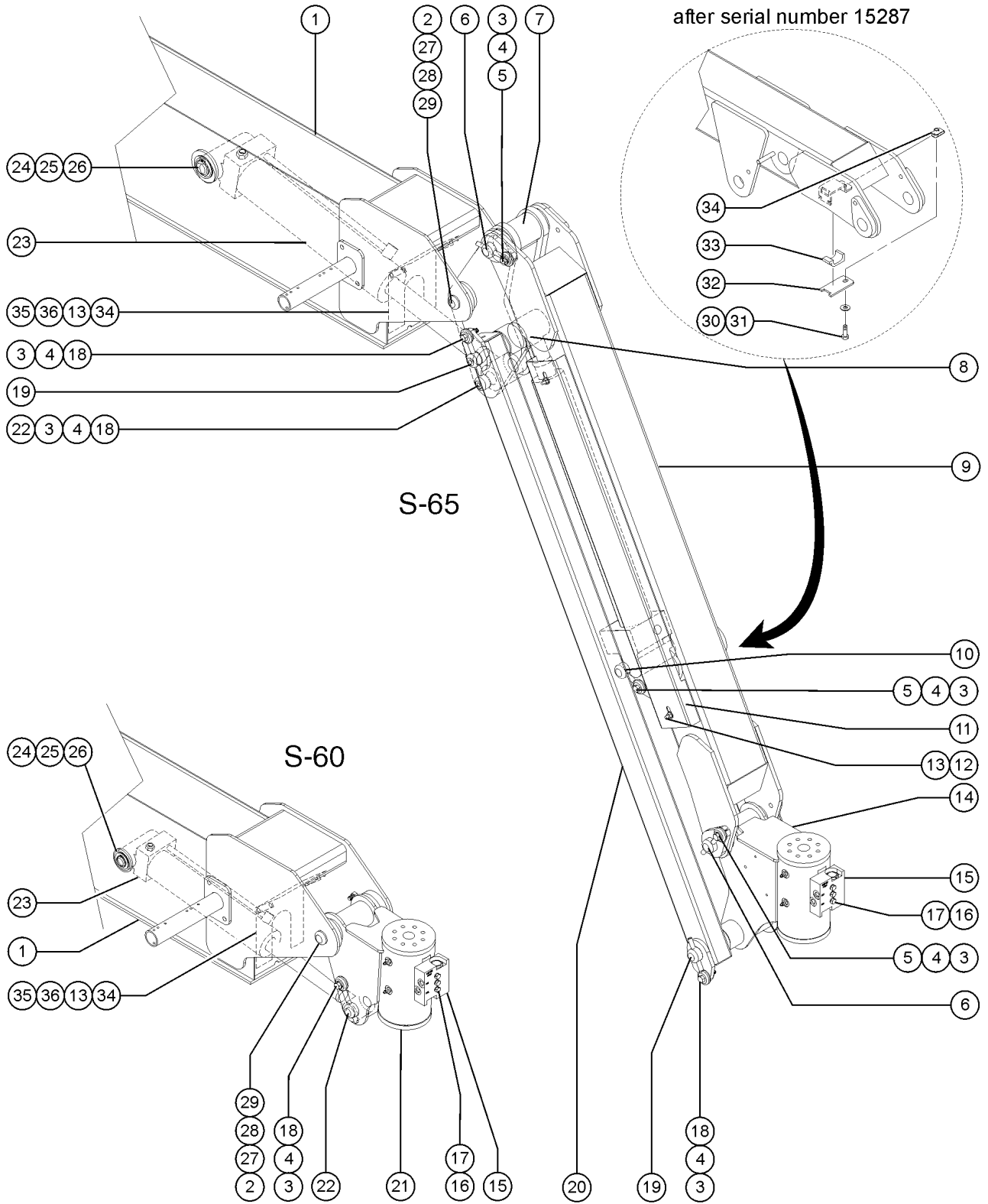


603.1 Boom Components - View 2

Item	Part No.	Description	Qty.	Item	Part No.	Description	Qty.
A	214690	KIT,EXTEND/RETRACT CABLE,S60 <i>(includes items 43 &amp; 44) (for easier installation, suggest ordering 94510, below)</i>		25	54177	SCREW,HHC,1/2-13 X 1.5 GRD 8...2	
B	94510	TOOL,CABLE GRIP, 7/16" <i>for installation of 214690</i>		26	49411	WASHER,FLAT,M14	
1	6175	SCREW,HHC,3/8-16 X 1		27	6198	NUT,NYLOCK,1/2-13	
2	6021	WASHER,LOCK, .375		28	4266	SCREW,HHC,1/4-20 X 2	
3	30138	WEAR PAD,5 X 1.5 X .625 W/NUTS.....8		29	6638	WASHER,FLAT,USS,1/4"Y	
4	38620	SHIM,WEAR PAD,5 X 1.5,14GA....16		30	6091	NUT,NYLOCK,1/4-20	
5	29080	SHIM,WEAR PAD,5X 1.5 16GA.....16		31	77688	WELDMENT,EXTENSION BRACKET.....1	
6	34125	WEAR PAD,5 X 1.5 X .75 W/NUTS.....8		32		WELDMENT,TRACK PULL TUBE PIVOT.....1 <i>refer to section 607.1</i>	
7	6019	SCREW,HHC,3/8-16 X 1.25 GRD 5		33		WEAR PAD,CABLE TRACK PULL TUBE.....1 <i>refer to section 607.1</i>	
8	77656	ROD END,CABLE		34		WEAR PAD,5.5 X 1.75 X .5.....1 <i>refer to section 607.1</i>	
9	10258	NUT,NYLOCK,3/4-10		35	77784P	COVER,PRIMARY BOOM.....1 <i>to SN 9409</i>	
10	87247	PIN,CLEVIS,1 X 2.25 LG.....4		--	101066P	COVER,PRIMARY BOOM,PAINTED.....1 <i>from SN 9410</i>	
11	13635-10	PIN,COTTER, .156 X 1.75.....4		36	77616P	PLATE,BOTTOM BLOCK RH PAINTED.....1	
12	88796	PLATE,RETRACTION CABLE EQUALIZ.....2		37	57072	SCREW,BHHS,3/8-16 X 1.25	
13	88567	SHEAVE,EXTENSION CABLE(LARGER).....1		38	34344	SHIM,SIDE PAD 16GA. 3 X 5.....4	
14	77648	ROLLER,1/2" PVC.....1		39	77718	WEAR PAD,5 X 3 X .75.....4	
15	77649	ROLLER,1/2" ALUMINUM.....1		40	77713	PLATE,TAP BLOCK.....1	
16	6090	SCREW,HHC,1/4-20 X .75		41	6605	SCREW,HHC,3/8-16 X 3.5,GR5.....2 <i>from SN 19982</i>	
17	6356	WASHER,LOCK, .25		42	33278	WASHER,FLAT,.75 HARDENED	
18	88793	PIN,1.5 X 5.50 LG.....1		43	110340	CABLE ASSY, RETRACT SET (PAIR).....1	
19	18383	SNAP RING,EXTERNAL,1.5 DIA*** .....2		44	110339	CABLE ASSY, EXTEND SET(PAIR).....1	
20	18596	WASHER,FLAT,1.56 X 2.5 X .061					
21	88791P	BRACKET,EXTEND SHEAVE.....1 <i>to SN 19981</i>					
--	139384	BRACKET, EXTEND SHEAVE.....1 <i>from SN 19982</i>					
22	77650	GUIDE,EXT.CABLE,BOTTOM.....1 <i>to SN 19981</i>					
--	139288	GUIDE, EXT. CABLE BOTTOM.....1 <i>from SN 19982</i>					
23		Ref. Extension Cylinder (refer to 602.1)					
24	88598	GUIDE,EXT CABLE TOP.....1 <i>to SN 19981</i>					
--	139385	GUIDE, EXT. CABLE TOP.....1 <i>from SN 19982</i>					



604.1 Boom Components - View 3

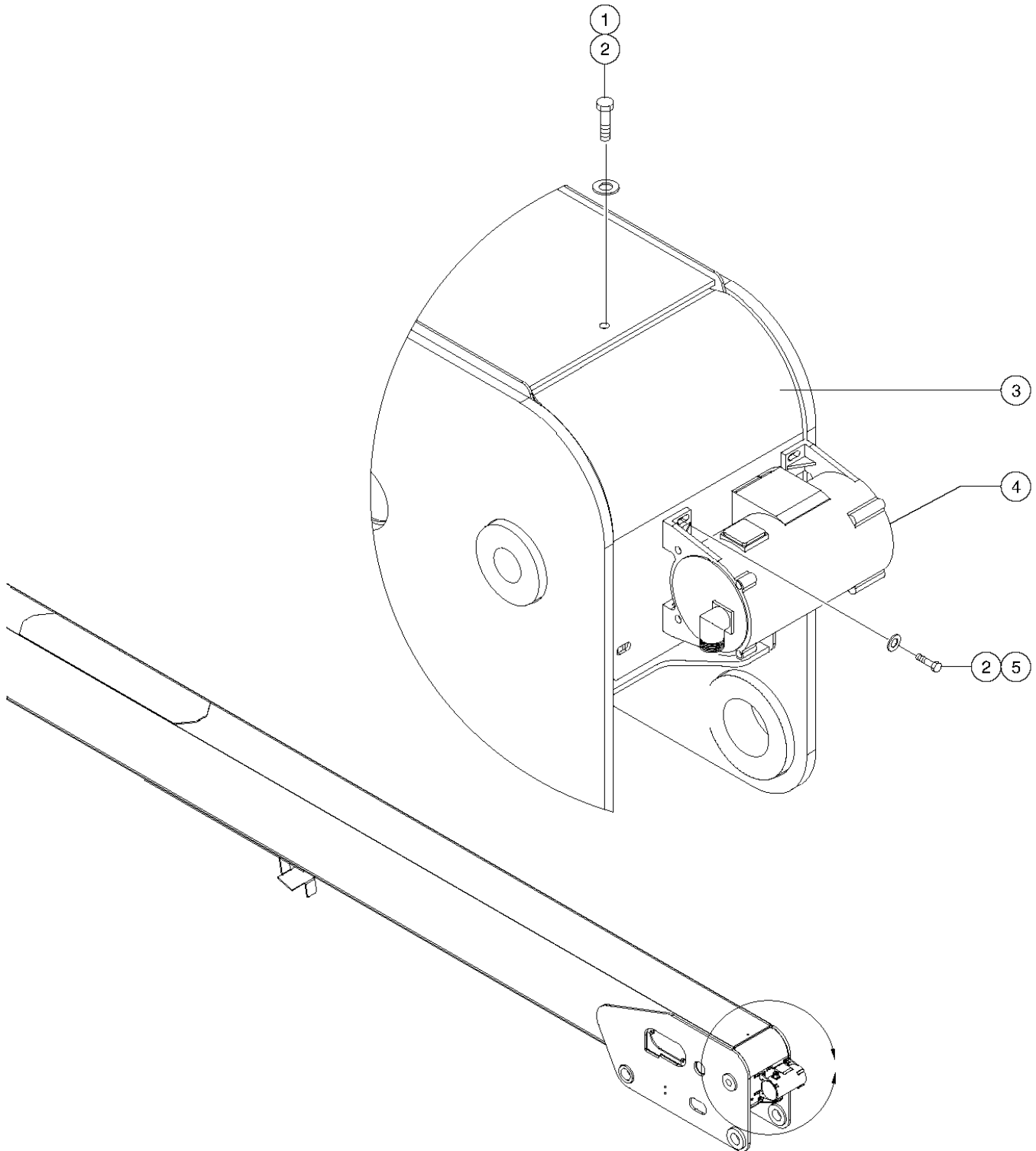


604.1 Boom Components - View 3

Item	Part No.	Description	Qty.	Item	Part No.	Description	Qty.
1		Ref. Number 3 Boom Tube <i>(refer to 602.1)</i>		17	6356	WASHER,LOCK,,25	
2A	48232	PIN,1.25DIAX7.81LG,1HOLE.....1 <i>to SN 13657</i>	1	18	4828	NUT,NYLOCK,3/8-16	
2B	T111124	PIN,1.25DIAX8.42LG,2RING <i>from SN 13658 (replaced 88345 at 21174)</i>		19	81175	PIN,1.25DIAX14.45LG,2HOLE.....2	2
3	45226	ROD END,,375 X 3.69.....7	7	20	61306-S	COMPR.LINK,MACHINED,GND CONTR*.....2	2
4	6175	SCREW,HHC,3/8-16 X 1		21	88576	ROTATOR,HELICAL,PLAT***.....1 S-60	1
5	6021	WASHER,LOCK,,375		--	122944	SEAL KIT,8K ROTATOR*** S-60	
6	T108076	PIN,1.25DIAX7.88LG,1HOLE.....2	2	--	30370	BEARING,1.25IDX1.5ODX1.00L S-60	
7	101244	BELLCRANK W/BEARINGS(S60)....1	1	--	88516	SCREW,BLEEDER,M5X0.8 S-60	
--	128268	BEARING,FL, 1.25X1.5X2.13 <i>(bellcrank to compr link); from SN 16192</i>		22	T108075	PIN,1.25DIAX5.25LG,1HOLE.....1	1
--	35675	BEARING,FL,1.25IDX1.5ODX1.25L		23	63566	CYLINDER,PLATFORM LEVEL***.....1 S-60 and S-65	1
--	70239	BEARING,FL,1.25IDX1.5ODX1.50L <i>(bellcrank to compr link); to SN 16191</i>		--	101254	SEAL KIT (63566)	
8	63213	CYLINDER,JIB (STICK BOOMS)....1	1	--	77303	VALVE,CNTRBAL 3500PSI,ATM VEN	
--	25683	BEARING,POLYGON,20DU12		24	88870	PIN,1.25DIAX7.47LG,2RING.....1	1
--	33428	VALVE,COUNTERBALANCE		25	30217	SNAP RING,EXTERNAL,1.25 DIA.**.....2	2
--	63353	SEAL KIT,CYL,S65 (63213)		26	30255	WASHER,SHIM,1.27 X 2.13 X .062.....4	4
9		SERVICE KIT, 5FT JIB.....1 <i>see section 608.1 for jib detail</i>	1	27	45226	ROD END,,375 X 3.69.....1 <i>to SN 13657</i>	1
10	T108077	PIN,1.25DIAX7.00LG,1HOLE.....1	1	--	34245	BEARING,1.25IDX1.50X1.25L.....2 <i>from SN 13658</i>	2
11	54527-S	CABLE COVER,JIB***.....1 <i>to SN 10497</i>	1	28	6175	SCREW,HHC,3/8-16 X 1 <i>to SN 13657</i>	
--	106534	CLAMP,JIB HOSE S-65.....2	2	--	30217	SNAP RING,EXTERNAL,1.25 DIA.** <i>from SN 13658</i>	
--	106540P	CABLE COVER,JIB PAINTED <i>from SN 10498</i>		29	6021	WASHER,LOCK,,375 <i>to SN 13657</i>	
--	107841	CLAMP, ARCTIC JIB HOSE		--	30255	WASHER,SHIM,1.27 X 2.13 X .062 <i>from SN 13658</i>	
12	6091	NUT,NYLOCK,1/4-20		30	6090	SCREW,HHC,1/4-20 X .75	
13	6638	WASHER,FLAT,USS,1/4"Y		31	6091	NUT,NYLOCK,1/4-20	
14	94397	ROTATOR,PLAT JIB,160 DEG***.....1 S-65	1	32	119536	BRACKET,HOSE CLAMP.....1	1
--	122944	SEAL KIT,8K ROTATOR*** <i>for 94397</i>		33	119542	CLAMP,TWO HOSE.....1	1
--	30222	BEARING,FL,1.25IDX1.41ODX1.50L <i>for 94397</i>		--	119994	CLAMP,TWO HOSE,ARCTIC	
--	88516	SCREW,BLEEDER,M5X0.8 <i>for 94397</i>		34	56912	SPRING CLIP,1/4-20,.025-.15X.5	
15		Ref. Rotator Manifold <i>(refer to 403.1)</i>		35	70240	COVER,DEBRIS #3 BOOM.....1	1
16	6637	SCREW,HHC,1/4-20 X 1.75		36	6888	SCREW,HHC,1/4-20 X 1.....4	4



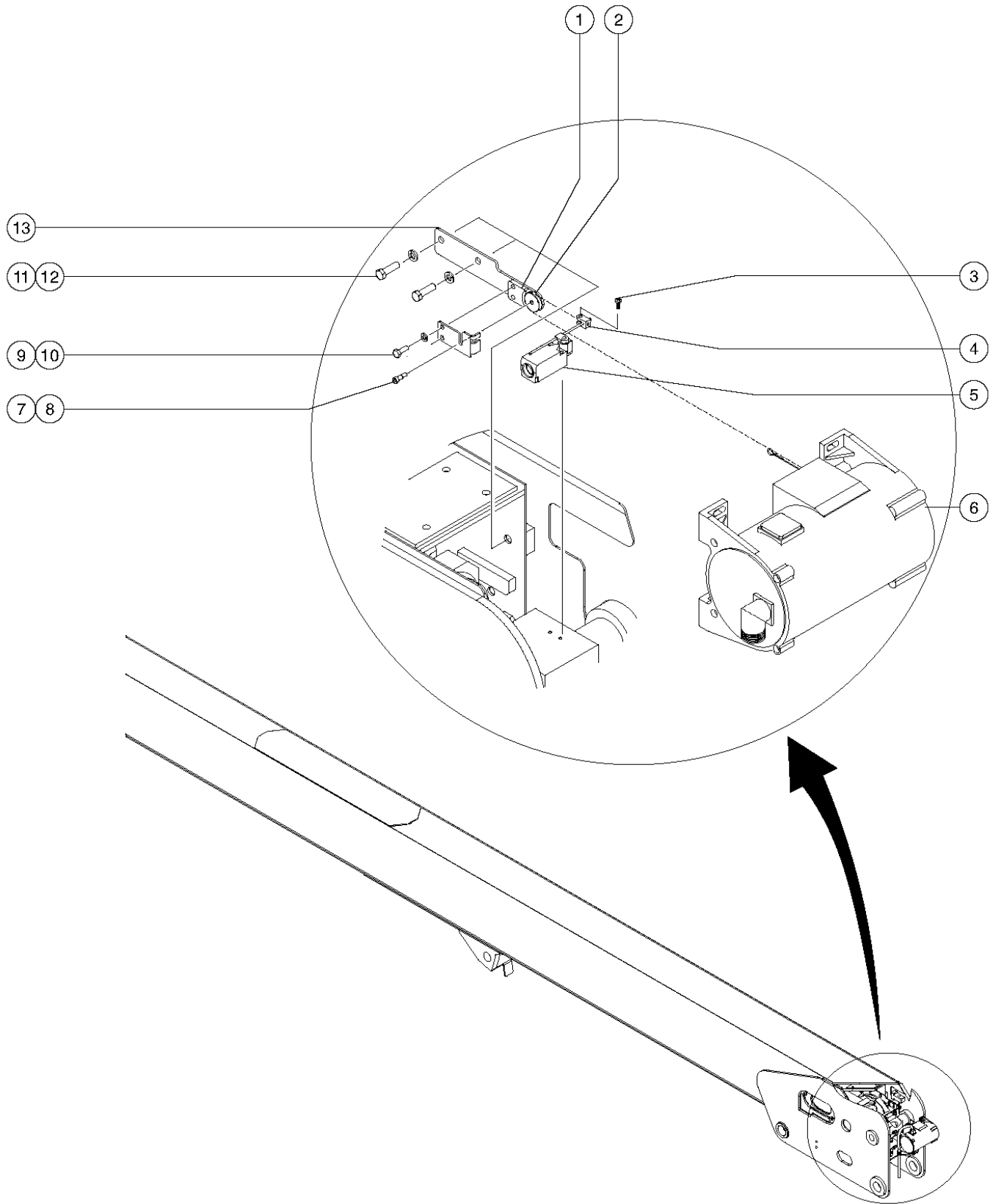
605.1 S-60 HC Primary Boom - View 1 (to SN 19038)



## 605.1 S-60 HC Primary Boom - View 1 (to SN 19038)

Item	Part No.	Description	Qty.
--	139388	RETRO FIT KIT, S60HC WIRE HARN <i>(refer to 606.1)</i>	
--	139390	RETRO FIT KIT, S60HC, V2008 <i>(refer to 606.1)</i>	
1	6888	SCREW,HHC,1/4-20 X 1	
2	6638	WASHER,FLAT,USS,1/4"Y	
3	106850P	COVER, PRIMARY BOOM, PTD.....1	
4		Ref. POSITION TRANSDUCER.....1 <i>(refer to 606.1 or 602.1)</i>	
5	7339	SCREW,HHC,1/4-20 X .5	

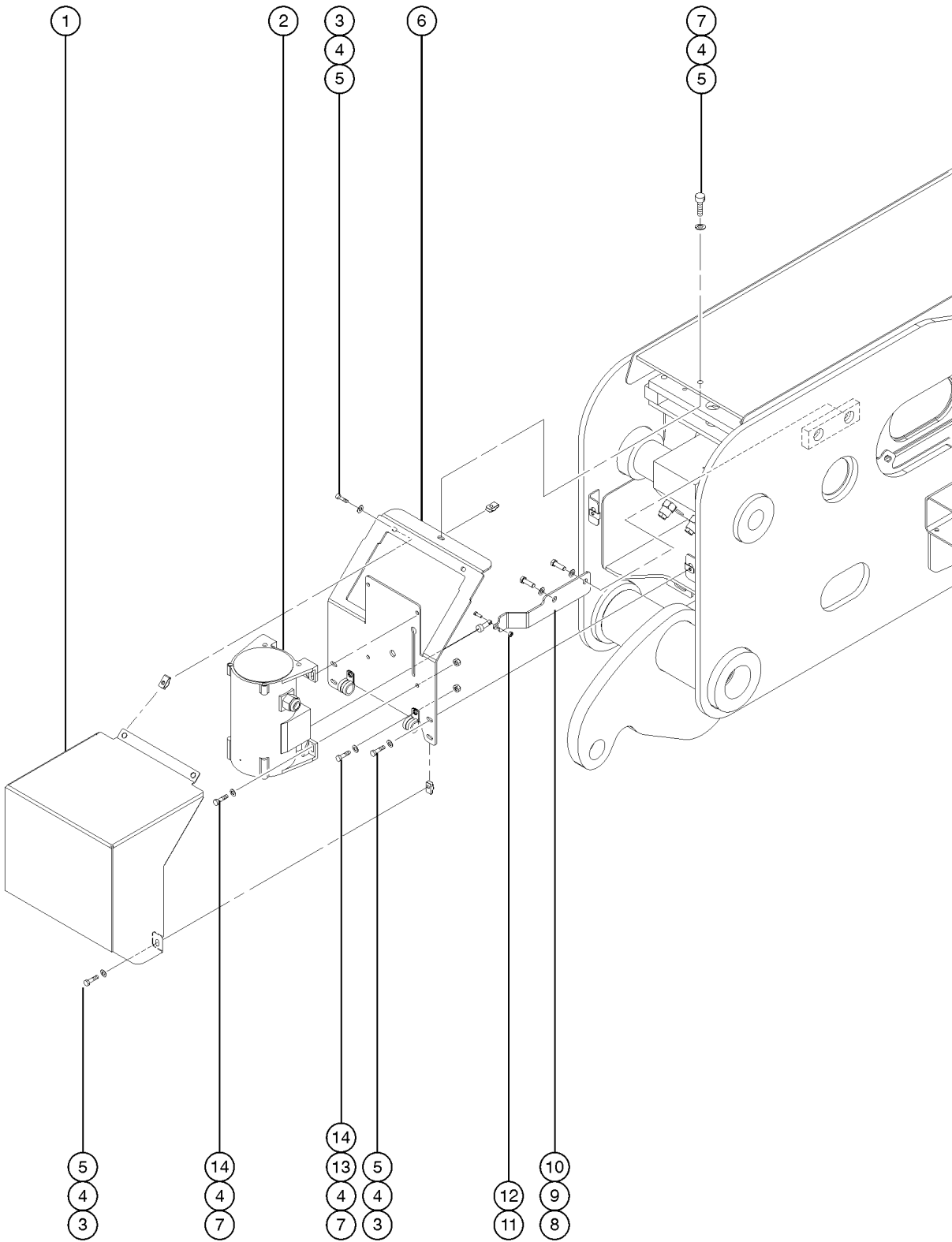
606.1 S-60 HC Primary Boom - View 2 (to SN 19038)



## 606.1 S-60 HC Primary Boom - View 2 (to SN 19038)

Item	Part No.	Description	Qty.
--	139388	Ref. RETRO FIT KIT, S60HC WIRE HARN <i>(one time upgrade for models before serial number 19039)</i>	
--	139390	Ref. RETRO FIT KIT, S60HC, V2008 <i>(one time upgrade for models before serial number 19039)</i>	
1	107671	PLATE, CABLE SPACER.....	1
2	107673	PULLEY, .970D X .250ID.....	1
3	110359	SCREW,PHM, 10-24 X .50.....	1
4	107711	CLEVIS, CABLE TRANSDUCER....	1
5	88356-31802	SWITCH,LIMIT,W/ROD,NO/NO.....	1
6	107694	POSITION TRANSDUCER..... <i>(for models with horizontal installation only) (after one time upgrade, refer to 606.2 for vertical installation)</i>	1
7	17017	SCREW,SHS,10-24 X .38.....	1
8	5365	NUT,NYLOCK,10-24.....	1
9	6090	SCREW,HHC,1/4-20 X .75.....	2
10	6356	WASHER,LOCK,.25.....	2
11	6019	SCREW,HHC,3/8-16 X 1.25 GRD 5.....	2
12	6021	WASHER,LOCK,.375.....	2
13	107672	FORMING, PULLEY KEEPER.....	1
14	107670	PLATE, CABLE ANCHOR.....	1

606.2 S-60 HC Primary Boom - View 2 (from SN 19039)

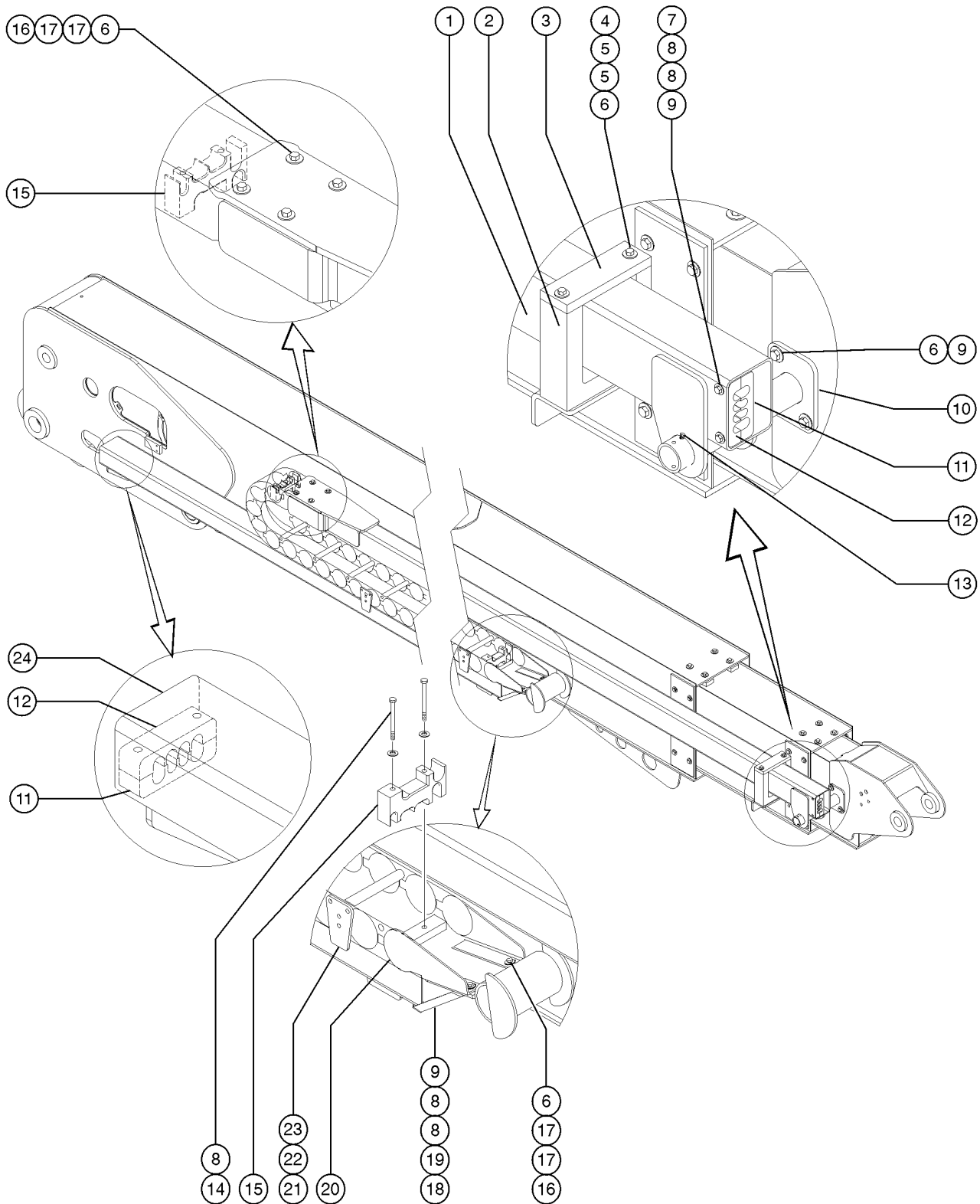




## 606.2 S-60 HC Primary Boom - View 2 (from SN 19039)

Item	Part No.	Description	Qty.
1	119537	COVER, STRING POT, S60HC.....1	
2	139293	POSITION TRANSDUCER,LINER,2CH.....1 <i>(for models with vertical installation only)</i>	
3	6090	SCREW,HHC,1/4-20 X .75	
4	6638	WASHER,FLAT,USS,1/4"Y	
5	56912	SPRING CLIP,1/4-20,.025-.15X.5.....4	
6	119535	MOUNT, STRING POT, S60HC	
7	6888	SCREW,HHC,1/4-20 X 1	
8	139307	FORMING, CABLE ANCHOR.....1	
9	6021	WASHER,LOCK,.375	
10	6019	SCREW,HHC,3/8-16 X 1.25 GRD 5	
11	49826	SCREW,PHILLIPS,PHM,10-32 X.625	
12	6178	NUT,NYLOCK,10-32	
13	45454	CLAMP,RUB CUSH,0.75,#12 X 3/8*.....2	
14	6091	NUT,NYLOCK,1/4-20	

607.1 Cable Track (to SN 16340)

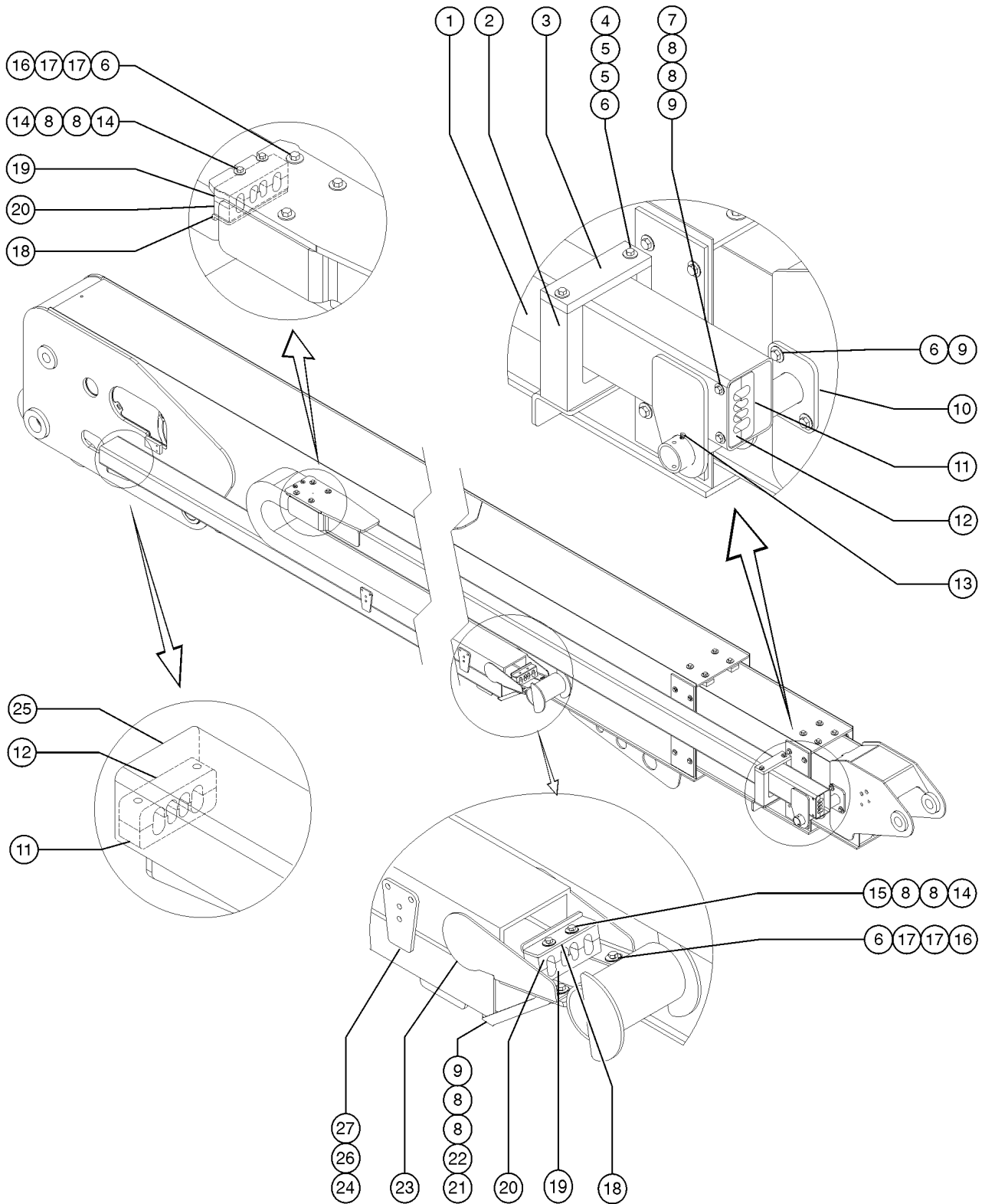


607.1 Cable Track (to SN 16340)

Item	Part No.	Description	Qty.	Item	Part No.	Description	Qty.
--	227711	KIT,CABLE TRACK,S60 <i>from SN 9154 to 15855</i>		--	58310	SCREW,10-24 X.5 TORX PAN HD*** <i>for 58308</i>	
1	88859	WELDMENT,CABLE TRACK TUBE***.....1	1	--	77896	ASSY,FOUR LINK CABLE TRACK*** <i>for 88705</i>	
2	81341	WEAR PAD,CABLE TRACK PULL TUBE.....1	1	20B	226327	KIT, CABLE TRACK, S60/65 <i>(use for replacement of 88705)</i>	
3	81342	WEAR PAD,5.5 X 1.75 X .5.....1	1	--	122661	REPAIR KIT,4 LINK,W/GUIDE <i>for T114223</i>	
4	81777	SCREW,HHC,3/8-16 X 7		--	T114223	CABLE TRACK, SX, 49 LINK <i>for 226327</i>	
5	6097	WASHER,FLAT,USS,3/8",Y		21	70264	CABLE TRACK GUIDE TRIANGLE.....10	10
6	4828	NUT,NYLOCK,3/8-16		22	39317	STOP PLATFORM ROLLER	
7	8179	SCREW,HHC,1/4-20 X 2.25		23	87085	RIVET,ALUM,P,.188 X .25	
8	6638	WASHER,FLAT,USS,1/4"Y		24	88858	WELDMENT,CABLE TRACK TRAY***.....1	1
9	6091	NUT,NYLOCK,1/4-20					
10	81347	WELDMENT,TRACK PULL TUBE PIVOT.....1	1				
11	88515	CABLE STAY.....2	2				
12	88514	CABLE STAY,TOP***.....2	2				
13	13635-10	PIN,COTTER,.156 X 1.75.....1	1				
14	6884	SCREW,HHC,1/4-20 X 2.5					
15	81351	CLAMP,PLASTIC HOSE***					
16	6019	SCREW,HHC,3/8-16 X 1.25 GRD 5					
17	6097	WASHER,FLAT,USS,3/8",Y					
18	119974	FORMING, TRACK BRACE, RH <i>inboard bracket; closest to boom tube</i>					
18	119975	FORMING, TRACK BRACE, LH.....1 <i>outboard bracket; furthest from boom tube (shown)</i>	1				
19	6090	SCREW,HHC,1/4-20 X .75					
20A	88705	CABLE TRACK,STEEL 49 LINKS***.....1 <i>no longer available, use PN 226327</i>	1				
--	102215	BRACKET,CABLE TRACK,FIXED END* <i>for 88705</i>					
--	102216	BRACKET,CABLE TRACK,MOVING END <i>for 88705</i>					
--	106154	KIT,PIN & RING*** <i>for 88705</i>					
--	231653	KIT,CABLE TRAK FLAT BAR <i>for 88705</i>					
--	58308	ROLLER,ALUM TUBE,ST.TRK*** <i>for 58309</i>					
--	58309	ROLLER,POLY,STEEL TRACK*** <i>for 88705</i>					



607.2 Cable Track (from SN 16341)

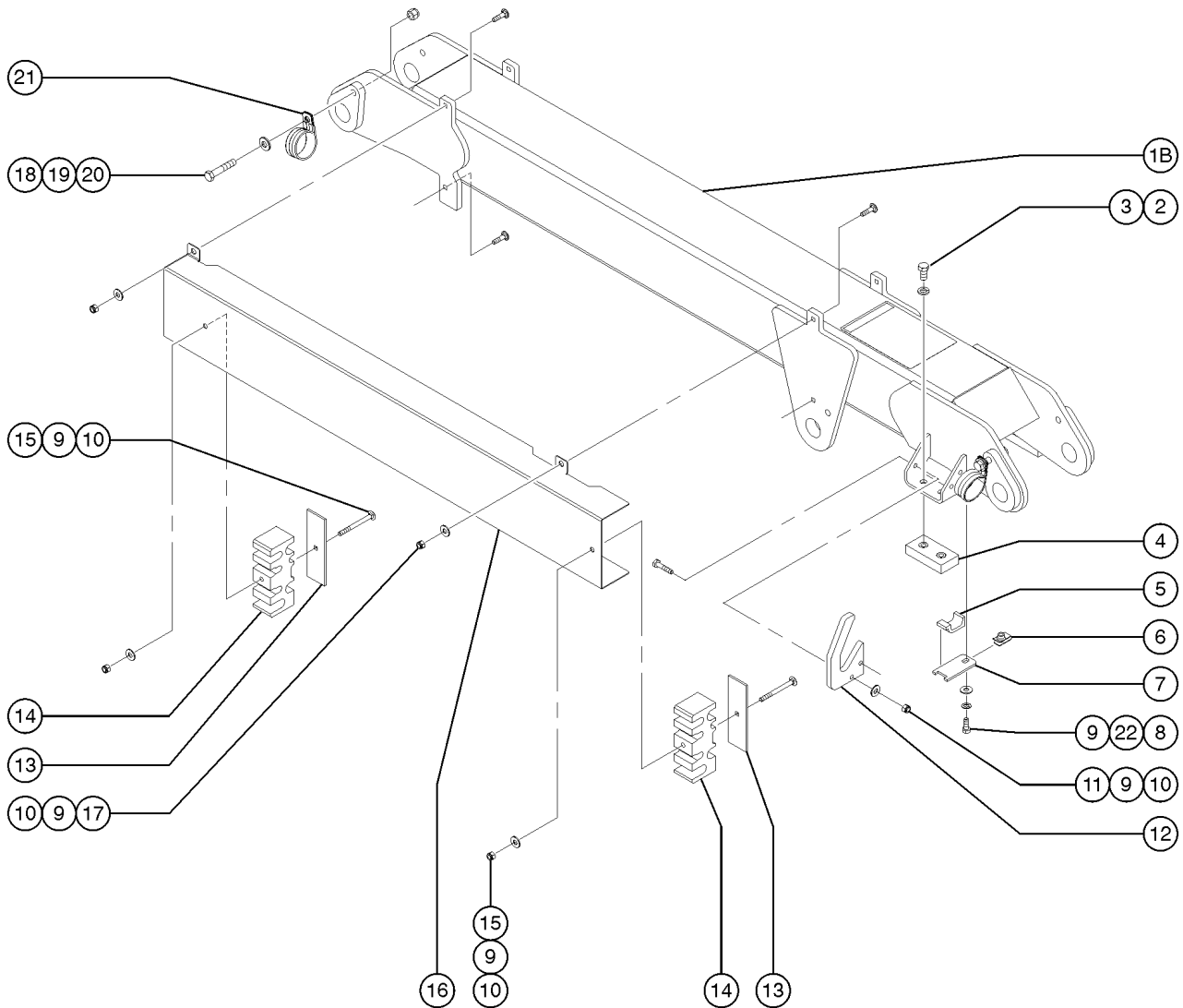
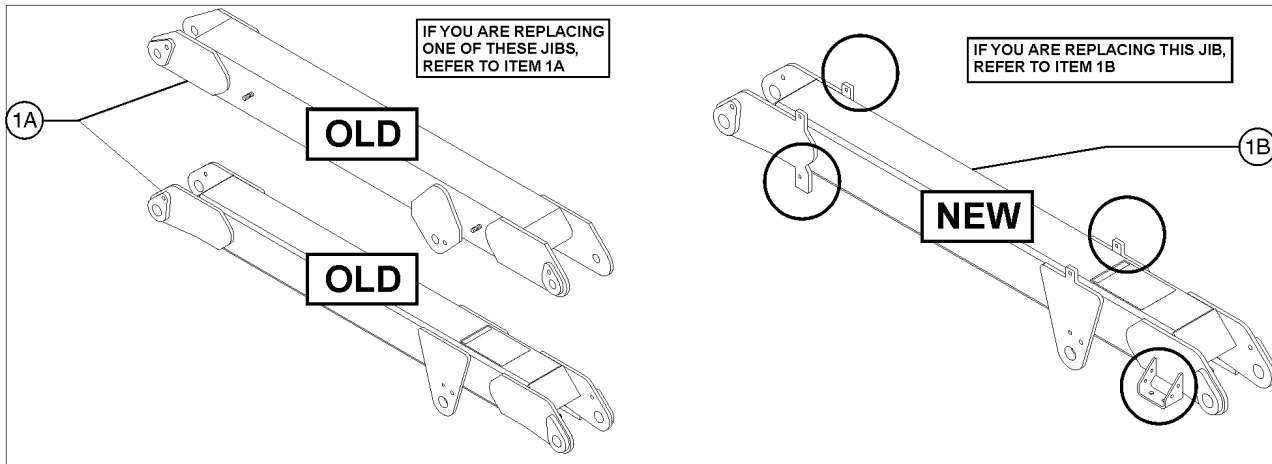


607.2 Cable Track (from SN 16341)

Item	Part No.	Description	Qty.	Item	Part No.	Description	Qty.
1	88859	WELDMENT,CABLE TRACK TUBE***	1	--	106154	KIT,PIN & RING*** for 88705	
2	81341	WEAR PAD,CABLE TRACK PULL TUBE	1	--	231653	KIT,CABLE TRAK FLAT BAR for 88705	
3	81342	WEAR PAD,5.5 X 1.75 X .5	1	--	58308	ROLLER,ALUM TUBE,ST.TRK*** for 58309	
4	81777	SCREW,HHC,3/8-16 X 7		--	58309	ROLLER,POLY,STEEL TRACK*** for 88705	
5	6097	WASHER,FLAT,USS,3/8",Y		--	58310	SCREW,10-24 X.5 TORX PAN HD*** for 58308	
6	4828	NUT,NYLOCK,3/8-16		--	77896	ASSY,FOUR LINK CABLE TRACK*** for 88705	
7	8179	SCREW,HHC,1/4-20 X 2.25		23B	226327	KIT, CABLE TRACK, S60/65 (use for replacement of 88705)	
8	6638	WASHER,FLAT,USS,1/4"Y		23B	T114223	CABLE TRACK, SX, 49 LINK for 226327	
9	6091	NUT,NYLOCK,1/4-20		--	122661	REPAIR KIT,4 LINK,W/GUIDE for T114223	
10	81347	WELDMENT,TRACK PULL TUBE PIVOT	1	24	70264	CABLE TRACK GUIDE TRIANGLE	10
11	88515	CABLE STAY to SN 20420	2	25	88858	WELDMENT,CABLE TRACK TRAY***	1
--	139790	CLAMP, PULL TUBE to SN 20421		26	39317	STOP PLATFORM ROLLER	
12	88514	CABLE STAY, TOP***	2	27	87085	RIVET,ALUM,P,.188 X .25	
13	13635-10	PIN,COTTER,.156 X 1.75	1				
14	6884	SCREW,HHC,1/4-20 X 2.5					
15	6889	NUT,LP NYLOCK,1/4-20					
16	6019	SCREW,HHC,3/8-16 X 1.25 GRD 5					
17	6097	WASHER,FLAT,USS,3/8",Y					
18	107868	PLATE,REINFORCED CLAMP STACK	1				
19	119838	CLAMP, HOSE, PRIM	2				
20	119837	CLAMP, CABLE, PRIM to SN 20420	2				
--	139791	CLAMP, CABLE TRACK, SUPPORT from SN 20421					
21	119974	FORMING, TRACK BRACE, RH inboard bracket; closest to boom tube					
21	119975	FORMING, TRACK BRACE, LH outboard bracket; furthest from boom tube (shown)	1				
22	6090	SCREW,HHC,1/4-20 X .75					
23A	88705	CABLE TRACK,STEEL 49 LINKS*** no longer available, use kit PN 226327	1				
--	102215	BRACKET,CABLE TRACK, FIXED END* for 88705					
--	102216	BRACKET,CABLE TRACK, MOVING END for 88705					

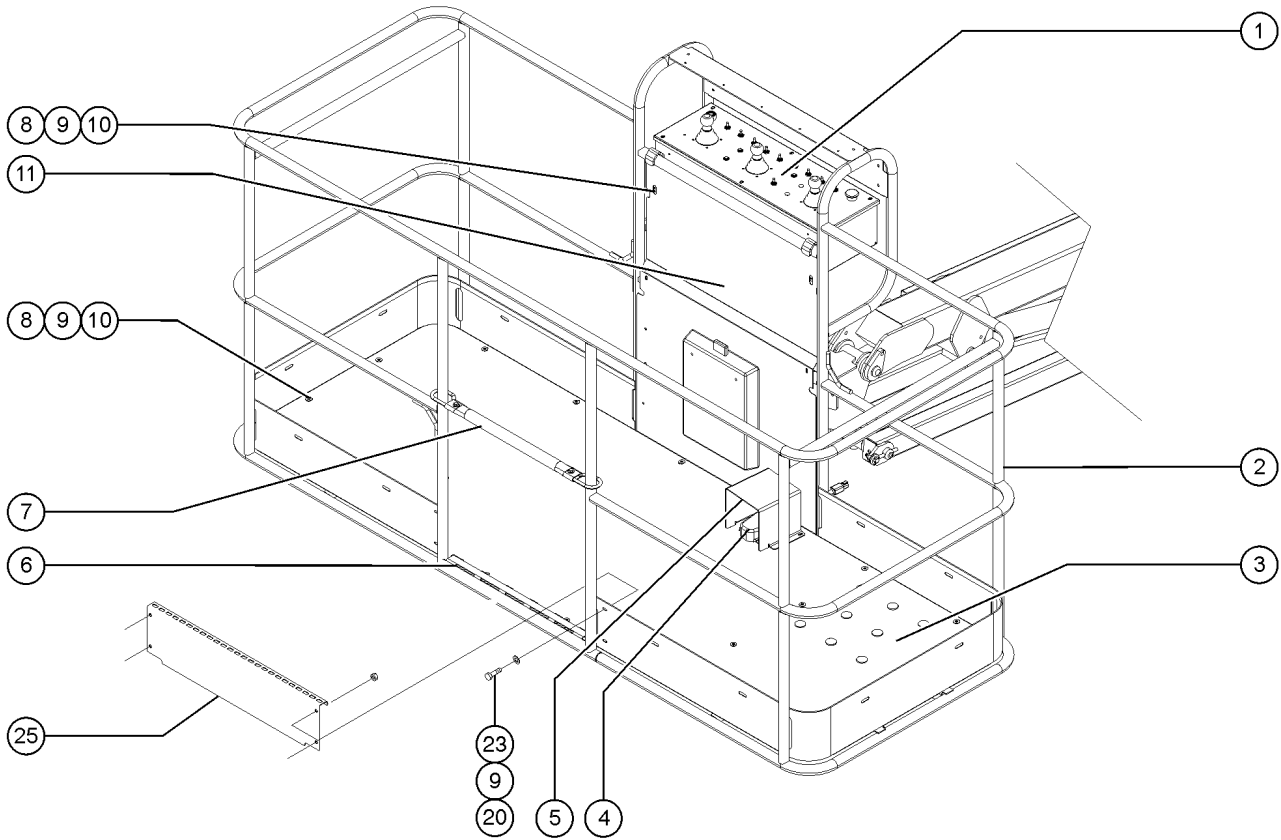
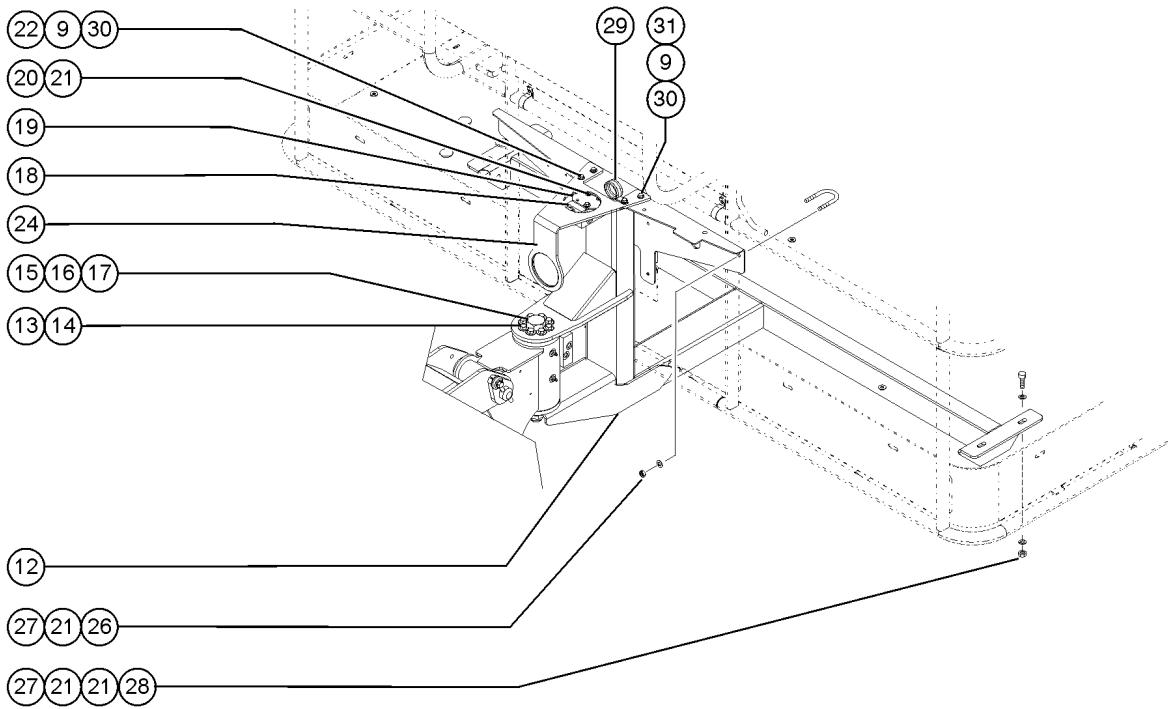


608.1 Jib Detail



Item	Part No.	Description	Qty.
1A	128513	SERVICE KIT,5FT JIB <i>required for first time replacement (includes part number 128534)</i>	
1B	128534	JIB BOOM ASSY W/WORD DECAL.....1 <i>use ONLY if service kit 128513 has been installed on the machine</i>	1
2	8255	SCREW,HHC,3/8-16 X .75	
3	6021	WASHER,LOCK, .375	
4	81640	WEAR PAD,3 X 1.5 X.625 W/NUTS.....1	1
5	119542	CLAMP,TWO HOSE.....1	1
6	56912	SPRING CLIP,1/4-20,.025-.15X.5.....1	1
7	119536	BRACKET,HOSE CLAMP.....1	1
8	6090	SCREW,HHC,1/4-20 X .75	
9	6638	WASHER,FLAT,USS,1/4"Y	
10	6091	NUT,NYLOCK,1/4-20	
11	8915	SCREW,HHC,1/4-20 X 1.25	
12	128482	HOSE GUIDE, JIB.....1	1
13	128483	BACKING PLATE, HOSE BLOCK, JIB.....2	2
14	128501	CLAMP,JIB HOSE/CABLE.....2	2
15	128724	BOLT,CARRIAGE,1/4-20 X 2.75,G2	
16	128454P	COVER, JIB HOSES/CABLES.....1	1
17	79456	BOLT,CARRIAGE,1/4-20 X 1.00,G2	
18	5224	SCREW,HHC,3/8-16 X 2	
19	5397	WASHER,FLAT,USS,5/16",Y	
20	4828	NUT,NYLOCK,3/8-16	
21	77181	CLAMP,1.63,#26 X 3/8,RUB CUSH.....2	2

701.1 Platform Configurations





701.1 Platform Configurations

Item	Part No.	Description	Qty.	Item	Part No.	Description	Qty.
--	77834	PLAT.ASSY,4 FT,SERV,S80 ANSI <i>USA/Canadian models</i>		--	101376	PLATFORM ASSEMBLY,5FT,CE/UK CE	
--	77836	PLAT.ASSY,5 FT,SERV,S80 ANSI <i>USA/Canadian models</i>		--	101377	PLAT ASSEMBLY,5FT,AUSTRALIA <i>Australia</i>	
--	52093	PLAT.ASSY,6FT-S40/S60-95'& S80 <i>USA/Canadian models</i>		--	101378	PLAT ASSEMBLY,5FT,ASIA/S AM <i>Asia/South America</i>	
--	52082	PLAT ASSY,8 FT,SERV,S40/60/80 <i>USA/Canadian models</i>		--	101379	PLATFORM RAIL ASSY,6FT,CE/UK CE	
--	101385	PLAT ASSY, COMP, 4', CE/UK/UK <i>CE models</i>		--	101380	PLAT RAIL ASSY,6FT,AUSTRALIA <i>Australia</i>	
--	101388	PLAT ASSY, COMP, 5', CE/UK/UK <i>CE models</i>		--	101381	PLAT ASSEMBLY,6FT,ASIA/S AM <i>Asia/South America</i>	
--	101391	PLAT ASSY, COMP, 6', CE/UK/UK <i>CE models</i>		--	101382	PLATFORM RAIL ASSY,8FT,CE/UK CE	
--	101394	PLAT ASSY, COMP, 8', CE/UK/UK <i>CE models</i>		--	101383	PLAT RAIL ASSY,8FT,AUSTRALIA <i>Australia</i>	
--	101386	PLAT ASSY, COMP, 4', AUSTRALIA <i>Australian models</i>		--	101384	PLAT ASSEMBLY,8FT,ASIA/S AM <i>Asia/South America</i>	
--	101389	PLAT ASSY, COMP, 5', AUSTRALIA <i>Australian models</i>		--	73975	PLATFORM RAIL ASSY, 6FT ANSI <i>USA/Canada</i>	
--	101392	PLAT ASSY, COMP, 6', AUSTRALIA <i>Australian models</i>		--	73976	PLATFORM RAIL ASSY, 8FT, ANSI <i>USA/Canada</i>	
--	101395	PLAT ASSY, COMP, 8', AUSTRALIA <i>Australian models</i>		--	77840	WELDMENT W/DECALS,5FT,500LB AN <i>USA/Canada</i>	
--	101387	PLAT ASSY,COMP,4',ASIA/SO. AM. <i>Asia/South American models</i>		3	60160P	FLOORING,4 FT PLATFORM,PAINTED.....	1
--	101390	PLAT ASSY,COMP,5',ASIA/SO. AM. <i>Asia/South American models</i>		--	54247P	FLOORING,5 FT PLATFORM,PAINTED	
--	101393	PLAT ASSY,COMP,6',ASIA/SO. AM. <i>Asia/South American models</i>		--	73477P	FLOORING, 6'FT PLATFORM	
--	101396	PLAT ASSY,COMP,8',ASIA/SO. AM. <i>Asia/South American models</i>		--	73478P	FLOORING, 8'FT PLATFORM	
--		<i>The following is a list of complete platforms by region, then by size.</i>		4A	73233	ASSEMBLY,FOOT.....	1
1		Ref. PLATFORM CONTROL BOX <i>refer to 703.1 or 704.1</i>		--	119058	CONN PLUG 4 WAY ENDCAP DT <i>for PN 73233</i>	
--	119795	KIT,CONTROL BOX COVER		--	13482	FOOT SWITCH*** <i>for PN 73233</i>	
2	77838	WELDMENT W/DECALS,4FT,500LB AN <i>USA/Canada</i>		--	20262	MICROSWITCH,13482 FOOTSWITCH <i>for PN 73233</i>	
--	101373	PLATFORM ASSEMBLY,4FT,CE/UK CE		--	43960	WIRE CABLE,16/4 CON.TPE JKT.....66-inches <i>for PN 73233</i>	
--	101374	PLAT ASSEMBLY,4FT,AUSTRALIA <i>Australia</i>		--	73739	BOOT,PLUG 4 WAY <i>for PN 73233</i>	
--	101375	PLAT ASSEMBLY,4FT,ASIA/S AM <i>Asia/South America</i>		4B	228466	KIT, FOOTSWITCH, S40/S60/S80...1 <i>upgrade kit</i>	

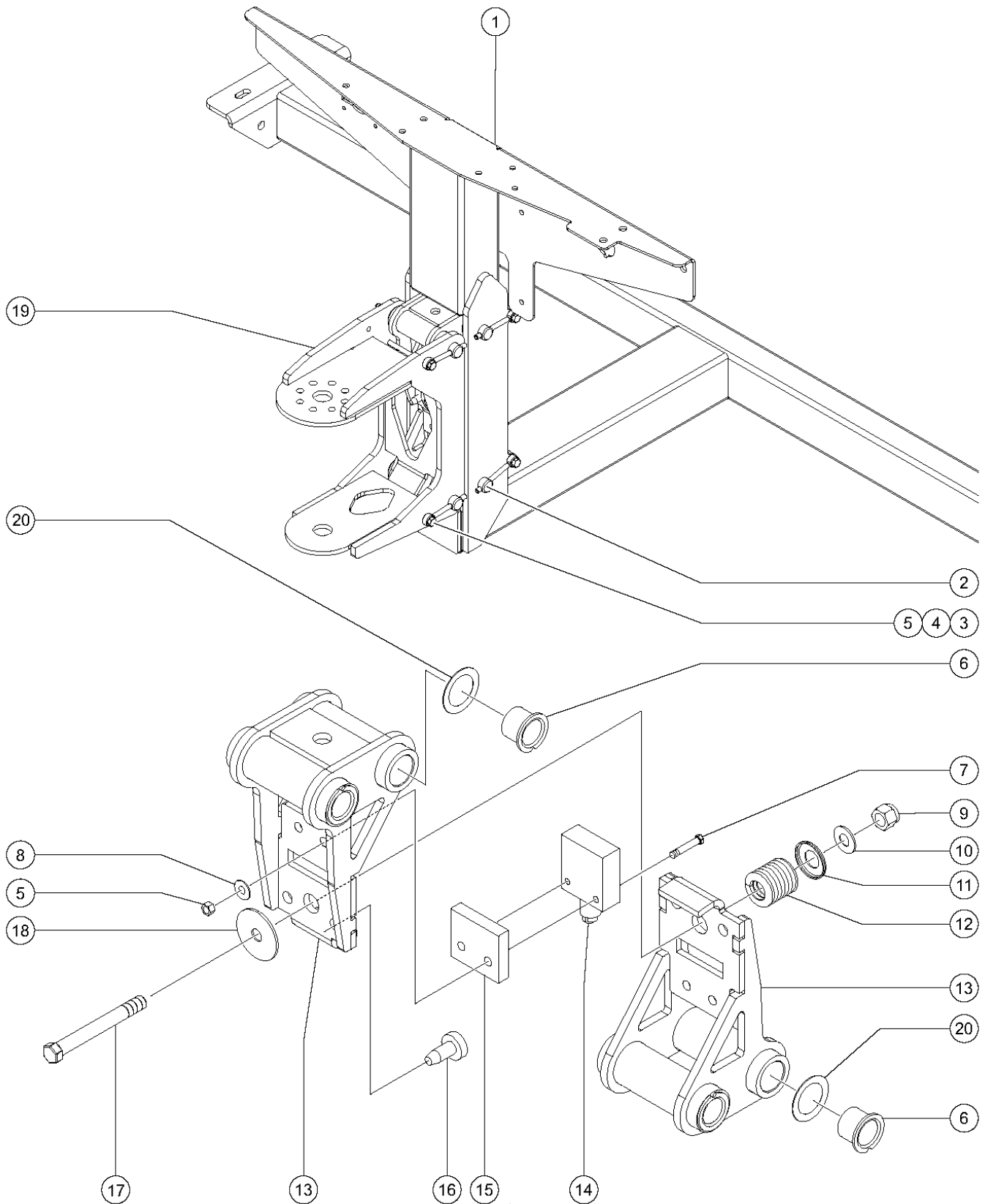


701.1 Platform Configurations  
(continued)

Item	Part No.	Description	Qty.	Item	Part No.	Description	Qty.
--	227516	ASSEMBLY,FOOT SWITCH <i>for PN 228466</i>		20	6090	SCREW,HHC,1/4-20 X .75	
5A	73931	GUARD,FOOTSWITCH,W/DECAL ALUM.....1 <i>USA/Canada/Australia (to SN 20380)</i>	1	21	5397	WASHER,FLAT,USS,5/16",Y	
--	63766	COVER,FOOT SWITCH <i>Europe, Asia, South America (to SN 20380)</i>		22	13000	SCREW,HHC,5/16-18 X 1.25	
5B	147221	GUARD,FOOTSWITCH,W/DECAL ALUM <i>USA/Canada/Australia (from SN 20381)</i>		23	6091	NUT,NYLOCK,1/4-20	
--	147121	COVER, FOOT SWITCH, LARGE <i>Europe, Asia, South America (from SN 20381)</i>		24	106163	FORMING,CABLE GUIDE.....1 <i>from SN 13044</i>	1
6	73610P-S	STEP PLATFORM ENTRY PAINTED.....1	1	--	55067	GROMMET,RUBBER 3 X .19 X 3.5	
7	102992	SLIDING MIDRAIL KIT,PTD.....1	1	25	94745P	TOEBOARD,ENTRY EUROPEAN PNTD**.....1	1
--	102992	SLIDING MIDRAIL KIT,PTD		26	6550	U-BOLT,3/8 X 1 YZ	
--	97815	DECAL,LABEL,LOWER MIDRAIL....1	1	27	4828	NUT,NYLOCK,3/8-16	
8	6090	SCREW,HHC,1/4-20 X .75		28	6019	SCREW,HHC,3/8-16 X 1.25 GRD 5	
9	6638	WASHER,FLAT,USS,1/4"Y		29	77180	CLAMP,1.31,#21 X 3/8,RUB CUSH.....1	1
10	56912	SPRING CLIP,1/4-20,.025-.15X.5		30	6782	NUT,NYLOCK,5/16-18	
11	77844	DECAL PLATE W/DECALS,S80/85 2K.....1 <i>USA, Canada, Australia</i>	1	31	13002	SCREW,HHC,5/16-18 X 1 GR5	
--	101578	DECAL PLATE W/ SYMBOL DECALS <i>Europe, Asia, South America</i>					
--	24514	BOX,INSTRUCTION STORAGE <i>Europe, Asia, South America</i>					
--	44743	MANUAL BOX W/DECALS*** <i>USA/Canada/Australia</i>					
12	60370-S	PLATFORM SUPPORT WELDMNT-SERV*.....1	1				
--	94326	WELDMNT,4/5FT PLATFORM SUPPOR					
13	77692	SCREW,HHC,3/8-16 X 1 GRD 8....8	8				
14	6097	WASHER,FLAT,USS,3/8",Y					
15	73928	SCREW,HHC,1-8 X 11,GRD 5***					
16	122079	WASHER,FLAT,1.000,HARDENED					
17	29764	NUT,NYLOCK,1-8					
18		Ref. Jib Manifold (refer to 403.1)					
19	77968P	PLATE,JIB,ROTATE MANIFOLD.....1 <i>to SN 13043</i>	1				
--	110671	PLATE,JIB,ROTATE MANIFOLD <i>from SN 13044</i>					

*This Page Intentionally Left Blank*

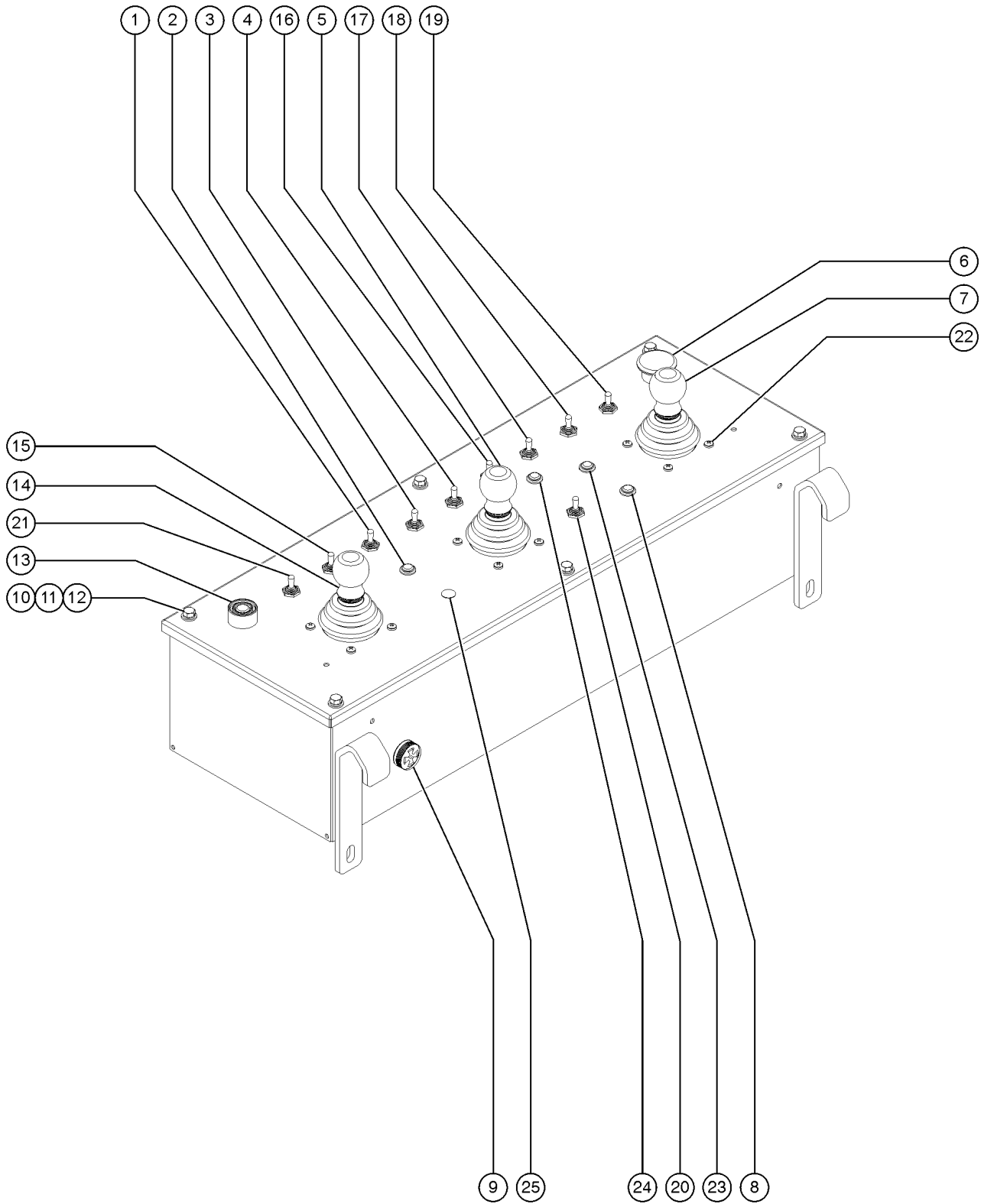
702.1 Platform Configurations - Platform Overload Option



## 702.1 Platform Configurations - Platform Overload Option

Item	Part No.	Description	Qty.
1	61997	WELDMENT,PLATFORM SUPPORT,CE.....1 <i>CE models</i>	1
2	61726	PIN,0.75DIAX5.75LG,CHAMFER.....4	4
2	94643	ZERK,GREASE,5/16-24,STRAIT	
3	6888	SCREW,HHC,1/4-20 X 1	
4	45748	ROD END,.250 X 2.75 LG	
5	5365	NUT,NYLOCK,10-24	
6	25685	BEARING,GARLOCK,12FDU12.....4	4
7	73634	SCREW,PHIL,PHM,10-24X1.5 ZINC	
8	6146	WASHER,FLAT,MS,#10,Y	
9	4828	NUT,NYLOCK,3/8-16	
10	6097	WASHER,FLAT,USS,3/8",Y	
11	61975	RETAINER,SPRING,1.21 X .375.....1	1
12	61974	SPRING,COMP,1" OD,232 LB/IN.....1	1
13	89755	LOAD SUPPORT W/BEARINGS.....2 <i>includes item 6</i>	2
14	94549	SWITCH,LOAD LIMIT.....1	1
15	61972	MOUNT,SWITCH.....1	1
16	34619	BUMPER,RUBBER***.....1	1
17	21604	SCREW,HHC,3/8-16 X 3.25	
18	6097	WASHER,FLAT,USS,3/8",Y	
19	101845	ROTATOR MOUNT KIT.....1	1
20	110789	WASHER,SHIM .0151 THK.	

703.1 Platform Control Box - View 1



703.1 Platform Control Box - View 1

Item	Part No.	Description	Qty.	Item	Part No.	Description	Qty.
--		<i>Power to Platform components can now be found in section 903.1</i>		--	45384	PLUG,NYLON .50 BLACK DOMED	
--	101434	PLAT. CONTROL BOX W/DECAL <i>includes 81484P</i>		--	56848	WASHER,LOCK,IND,LAMP RETAINER	
--	81484P	PLATFORM CONTROL BOX LID,PAINT		9	45383	ALARM,WARBLE TONE 5-30 VDC*** .....1 <i>Does not include 72326 nut</i>	1
1	128200	SWITCH TOGGLE ASSY SPDT 3P MOM.....1 <i>(Jib Boom Up/Down; includes boot and hardware) (S-65 only)</i>	1	--	72326	NUT - PLASTIC,RING FOR ALARMS	
--	128578	SCREW T-SWITCH PH/PH 6-32X1/4		10	8914	SCREW,HHC,1/4-20 X .625	
--	128580-S	SWITCH TOGGLE SPDT 3P MOM SHDR		11	6356	WASHER,LOCK,.25	
--	27246	BOOT,TOGGLE SWITCH,SHORT*		12	6638	WASHER,FLAT,USS,1/4"Y	
--	45384	PLUG,NYLON .50 BLACK DOMED <i>(S-60 only)</i>		13	66813	BUTTON,PUSH,BLACK W/SEAL *** .....1	1
2	824879	LIGHT,LED IND. RED 12V NH.....1 <i>(Machine malfunction indicator)</i>	1	--	66815	BASE, W/1 N.O. CONTACTS*** <i>includes 1 N.O. contact</i>	
3	128201	SWITCH TOGGLE ASSY DPDT 2P MOM.....1 <i>(Auxiliary Power; includes boot and hardware)</i>	1	--	66816	CONTACT,N.O.	
--	128578	SCREW T-SWITCH PH/PH 6-32X1/4		14		Ref. Joystick Controller, Multi-axis (Boom up/down and turntable rotate) (refer to 705.1)	
--	128581	SWITCH TOGGLE DPDT 2P MOM SHDR		15	128202	SWITCH TOGGLE ASSY DPDT 3P MOM.....1 <i>(Platform Rotate; includes boot and hardware)</i>	1
--	27246	BOOT,TOGGLE SWITCH,SHORT*		--	128578	SCREW T-SWITCH PH/PH 6-32X1/4	
4	128204	SWITCH TOGGLE ASSY SPDT 2P MNT.....1 <i>(Drive Speed; includes boot and hardware)</i>	1	--	128582	SWITCH TOGGLE DPDT 3P MOM SHDR	
--	128578	SCREW T-SWITCH PH/PH 6-32X1/4		--	27246	BOOT,TOGGLE SWITCH,SHORT*	
--	128584	SWITCH TOGGLE SPDT 2P MNT SHDR		16	128200	SWITCH TOGGLE ASSY SPDT 3P MOM.....1 <i>(Glow Plug, Diesel models; includes boot and hardware)</i>	1
--	27246	BOOT,TOGGLE SWITCH,SHORT*		--	128578	SCREW T-SWITCH PH/PH 6-32X1/4	
5		Ref. Joystick Controller, Single Axis (Boom extend/retract) (refer to 705.1)		--	128580-S	SWITCH TOGGLE SPDT 3P MOM SHDR	
6	66812	BUTTON,PUSH,RED MUSHROOM HEAD.....1	1	--	27246	BOOT,TOGGLE SWITCH,SHORT*	
--	66818	CONTACT,NC		17	128200	SWITCH TOGGLE ASSY SPDT 3P MOM.....1 <i>(Engine Start; includes boot and hardware)</i>	1
--	94506	BASE, W/3 NC CONTACTS <i>includes 3 N.C. contacts</i>		--	128578	SCREW T-SWITCH PH/PH 6-32X1/4	
7		Ref. Joystick Controller, Multi-axis (drive/steer function) (refer to 705.1)		--	128580-S	SWITCH TOGGLE SPDT 3P MOM SHDR	
--		Ref. Joystick Controller with Rocker Switch (option) (refer to 706.1)		--	27246	BOOT,TOGGLE SWITCH,SHORT*	
8	56298	LIGHT,INDICATOR,RED,14V.....2 <i>(Machine not level indicator)</i>	2	18	128204	SWITCH TOGGLE ASSY SPDT 2P MNT.....1 <i>(Engine Idle; includes boot and hardware)</i>	1



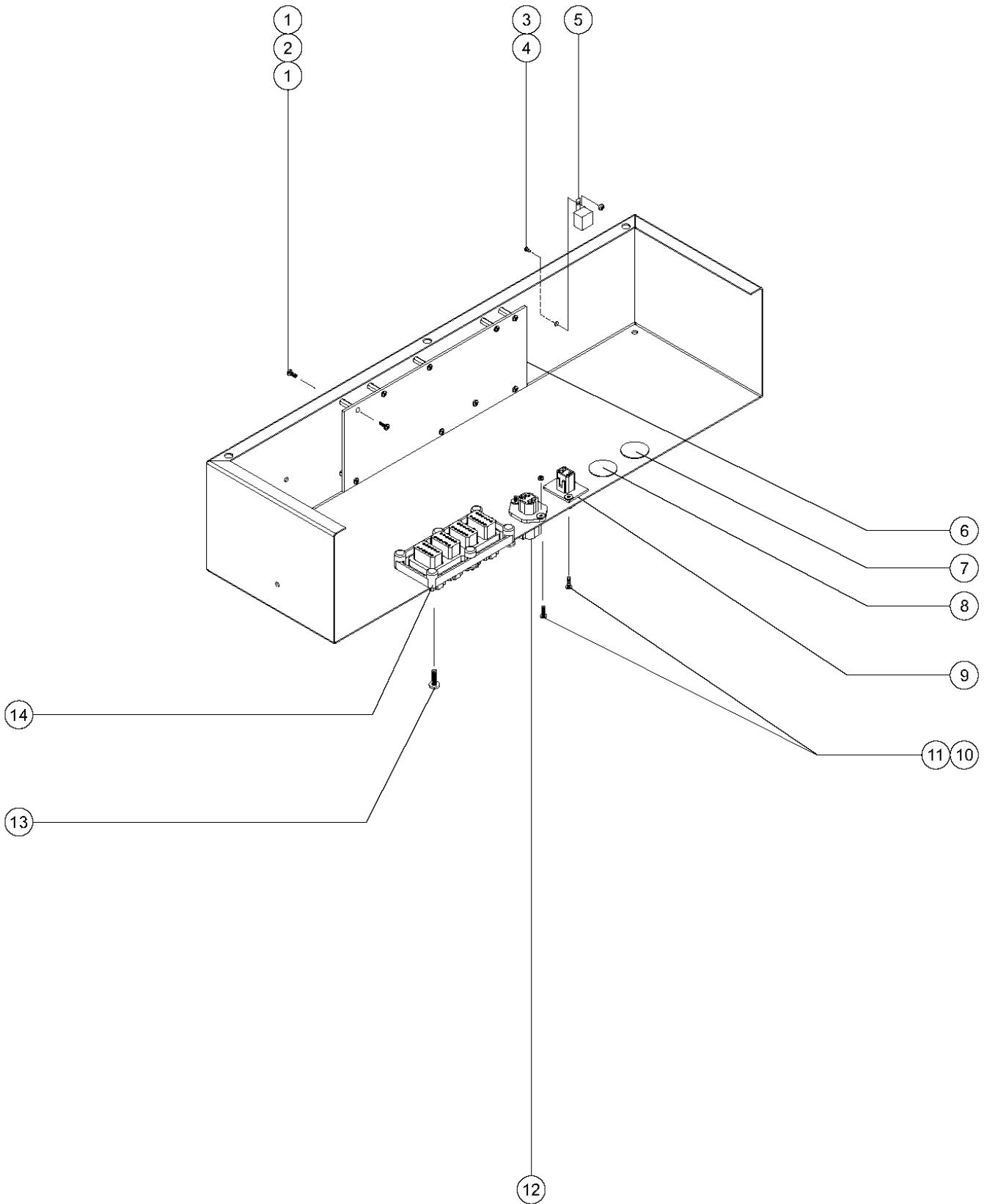
703.1 Platform Control Box - View 1  
(continued)

Item	Part No.	Description	Qty.
--	128578	SCREW T-SWITCH PH/PH 6-32X1/4	
--	128584	SWITCH TOGGLE SPDT 2P MNT SHDR	
--	27246	BOOT,TOGGLE SWITCH,SHORT*	
19	128204	SWITCH TOGGLE ASSY SPDT 2P MNT <i>(Fuel Select, Gas/LPG Models; includes boot and hardware)</i>	
--	128578	SCREW T-SWITCH PH/PH 6-32X1/4	
--	128584	SWITCH TOGGLE SPDT 2P MNT SHDR	
--	27246	BOOT,TOGGLE SWITCH,SHORT*	
20	128200	SWITCH TOGGLE ASSY SPDT 3P MOM.....1 <i>(Drive Enable; includes boot and hardware)</i>	
--	128578	SCREW T-SWITCH PH/PH 6-32X1/4	
--	128580-S	SWITCH TOGGLE SPDT 3P MOM SHDR	
--	27246	BOOT,TOGGLE SWITCH,SHORT*	
21	128200	SWITCH TOGGLE ASSY SPDT 3P MOM.....1 <i>(Platform Level; includes boot and hardware)</i>	
--	128578	SCREW T-SWITCH PH/PH 6-32X1/4	
--	128580-S	SWITCH TOGGLE SPDT 3P MOM SHDR	
--	27246	BOOT,TOGGLE SWITCH,SHORT*	
22	139338	SCREW PH M5-0.8X20 DIN 7500CE	
23	56298	LIGHT,INDICATOR,RED,14V.....1 <i>(Platform overload indicator)</i>	
--	56848	WASHER,LOCK,IND,LAMP RETAINER	
24	56298	LIGHT,INDICATOR,RED,14V <i>(Drive enable indicator)</i>	
--	56848	WASHER,LOCK,IND,LAMP RETAINER	
25	45384	PLUG,NYLON .50 BLACK DOMED.....1	



***This Page Intentionally Left Blank***

704.1 Platform Control Box - View 2

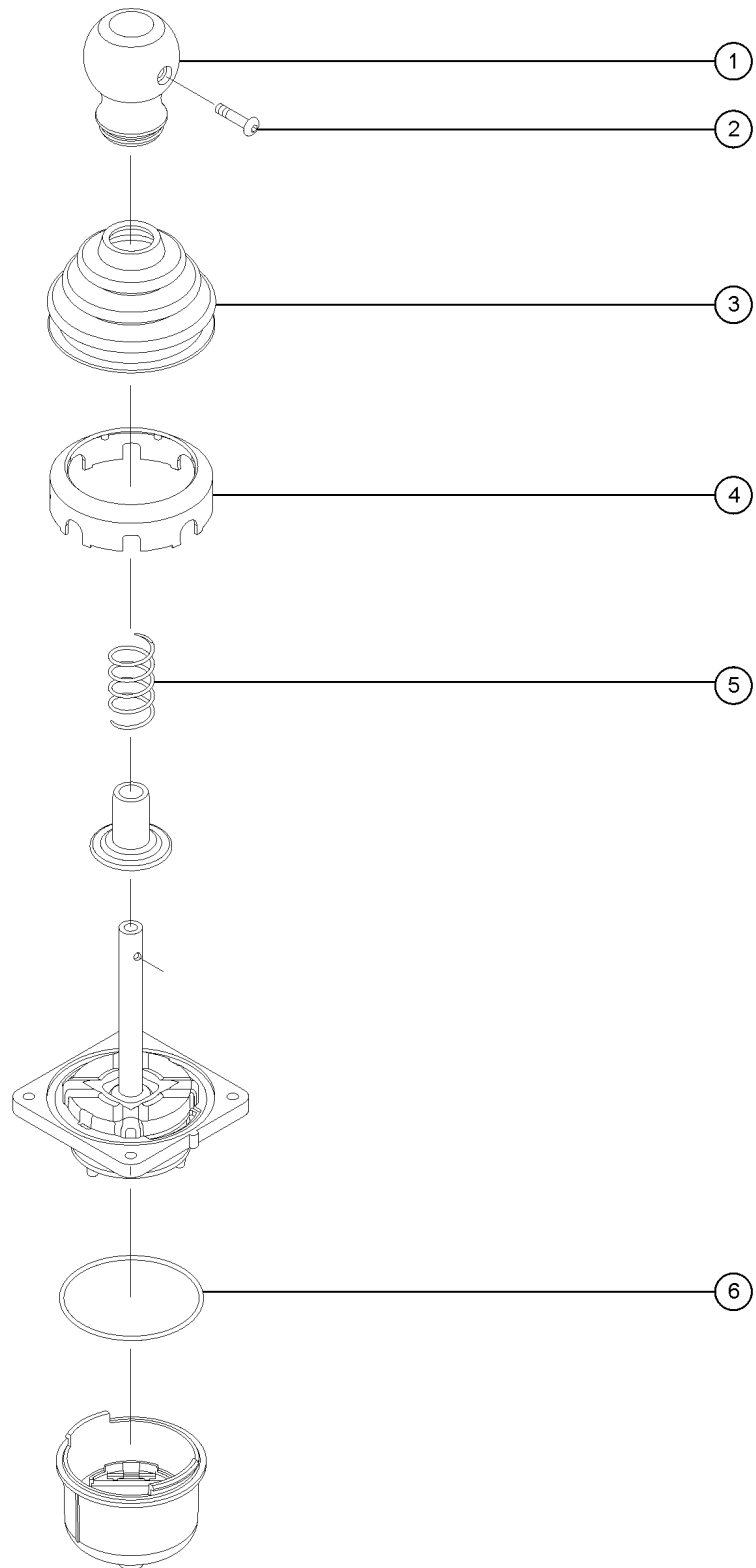


704.1 Platform Control Box - View 2

Item	Part No.	Description	Qty.	Item	Part No.	Description	Qty.
--	121847	RELAY,TIME DELAY,2 SEC,30A <i>from SN 20421; models with load sense</i>		--	T115352	DECAL,OPTION CONTROL BOX HEATR	
--	128045	MODULE,LOAD SENSE 2007 <i>from SN 12381</i>		7	45385	PLUG,NYLON 1.12 BLACK DOMED.....	1
--	77351	LANYARD,PLATFORM CONTROL BOX		--	94549	SWITCH,LOAD LIMIT <i>CE models</i>	
--	81487P	PLATFORM CONTROL BOX,PAINTED		8A	45385	PLUG,NYLON 1.12 BLACK DOMED.....	1
--	81488	GASKET,PLATFORM CONTROL BOX		8B	7056	CONN,SQUEEZE,1/2NPT .38-.50,SM S-65	
1	81551	SCREW,PHIL,PHM,6-32 X 1/4 SS		--	101080	HARNESS,JIB SELECT MANIFOLD S-65; includes Squeeze Connector and Locknut	
2	81550	STANDOFF,6-32 X 3/8L X 1/4 HEX		--	6935	LOCKNUT,ELEC,1/2" S-65	
3	54365	SCREW,PHIL,PHM,10-32 X .5,SSTL <i>CE models</i>		9	60443	LOCK,RECEP 4 WAY,14-18GA.....	1
4	6178	NUT,NYLOCK,10-32 <i>CE models</i>		--		REF: Foot Switch Assembly (refer to 701.1)	
5	19274	RELAY,SPDT,12V(AUTO)**.....	1	--	54259	TERM,NI PIN, 14-16GA,BULK	
6A	235411	ASSY,PCB ALC500 S60 LEG V202 <i>from SN 9154 to 21000; Machine model and serial number required when ordering. Please contact Genie Service Parts for assistance.</i>		--	73723	CONN RECEPT,FLANGED	
6A	56030	TERMINAL,MOLEX 16 GAUGE		10	49820	SCREW,PHILLIPS,PHM,6-32 X .5	
--	56029	CONNECTOR,MOLEX 24-WAY		11	12344	NUT,NYLOCK,6-32	
--	56030	TERMINAL,MOLEX 16 GAUGE		12	73717	CONN,RECEP 4 WAY,12-14GA FL***.....	1
--	56561	TOOL,TERMINAL CRIMPER,MOLEX***		--	107909	HARNESS, 12/3, 12V TO PLAT S-60	
--	56562	TOOL,TERMINAL EXTRACTOR,MOLEX		--	60526	LOCK,RECEP 4 WAY,12-14GA	
6B	119662	ACCESS PBOX HEATER ALC500/1000 <i>arctic option</i>		--	73711	TERM,DEUTSCH, PIN #12-14	
--	119250	BRACKET,PLATFORM HEATER OPT.....	1	--	88933	HARNESS,12/3,12V TO PLAT,JIB S-65	
--	119534	STANDOFF,1/4X1/4 M-F 6-32 S/S.....	1	13	73803	SCREW,SHM,PHP, #12 X .75	
--	119560	WIRING KIT,CONTROL BOX HEATER.....	1	14	73736	CONN,RECEP 48 WAY,4 X 12.....	1
--	119641	SWITCH,THERMOSTAT 85F OPEN.....	1	--		HARNESS,18/19,BOOM CABLE refer to section 307.1	
--	128204	SWITCH TOGGLE ASSY SPDT 2P MNT.....	1	--	54255	LOCK,RECEP 12 WAY, 14-18GA	
--	27287	RESISTOR,10 OHM,25 WATT..... <i>for 119560</i>	2	--	73713	TERM,NI PIN,S&F,16-18GA,REEL	



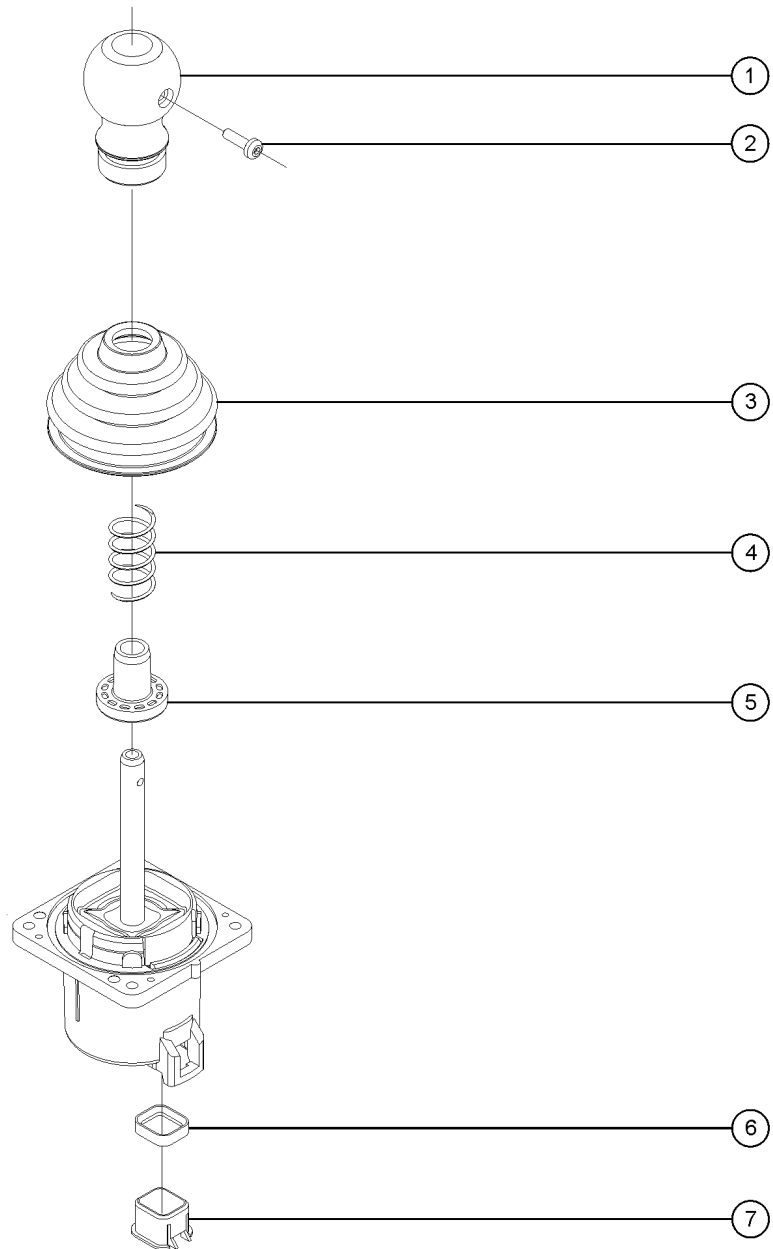
705.1 Standard Joystick (To SN 14781)



705.1 Standard Joystick (To SN 14781)

Item	Part No.	Description	Qty.
--	111417	JOYSTICK W/HARN ADPTR, 2 AXIS <i>This kit converts joystick to Deutsch style connection (OEM joystick); after first time replacement, refer to section 705.2</i>	
--	111415	JOYSTICK W/HARN ADPTR, 1 AXIS <i>This kit converts joystick to Deutsch style connection (OEM joystick); after first time replacement, refer to section 705.2</i>	
--	119613	HARN JOYSTICK ADAPTOR JS100.....1 <i>For first time replacement</i>	
1	62392	KNOB,JOYSTICK, 62390/62391.....1	
2	T112626	SCREW, PHM, #6-32 X .625 ZINC.....1	
3	139598	BOOT,JOYSTICK.....1	
4	75143	BOOT GUARD, JOYSTICK 62390/91.....1	
5	62395	SPRING,JOYSTK CENTR,62390/91.....1	
6		O-RING,JOYSTICK, 62390/62391...1 <i>no longer available from supplier</i>	

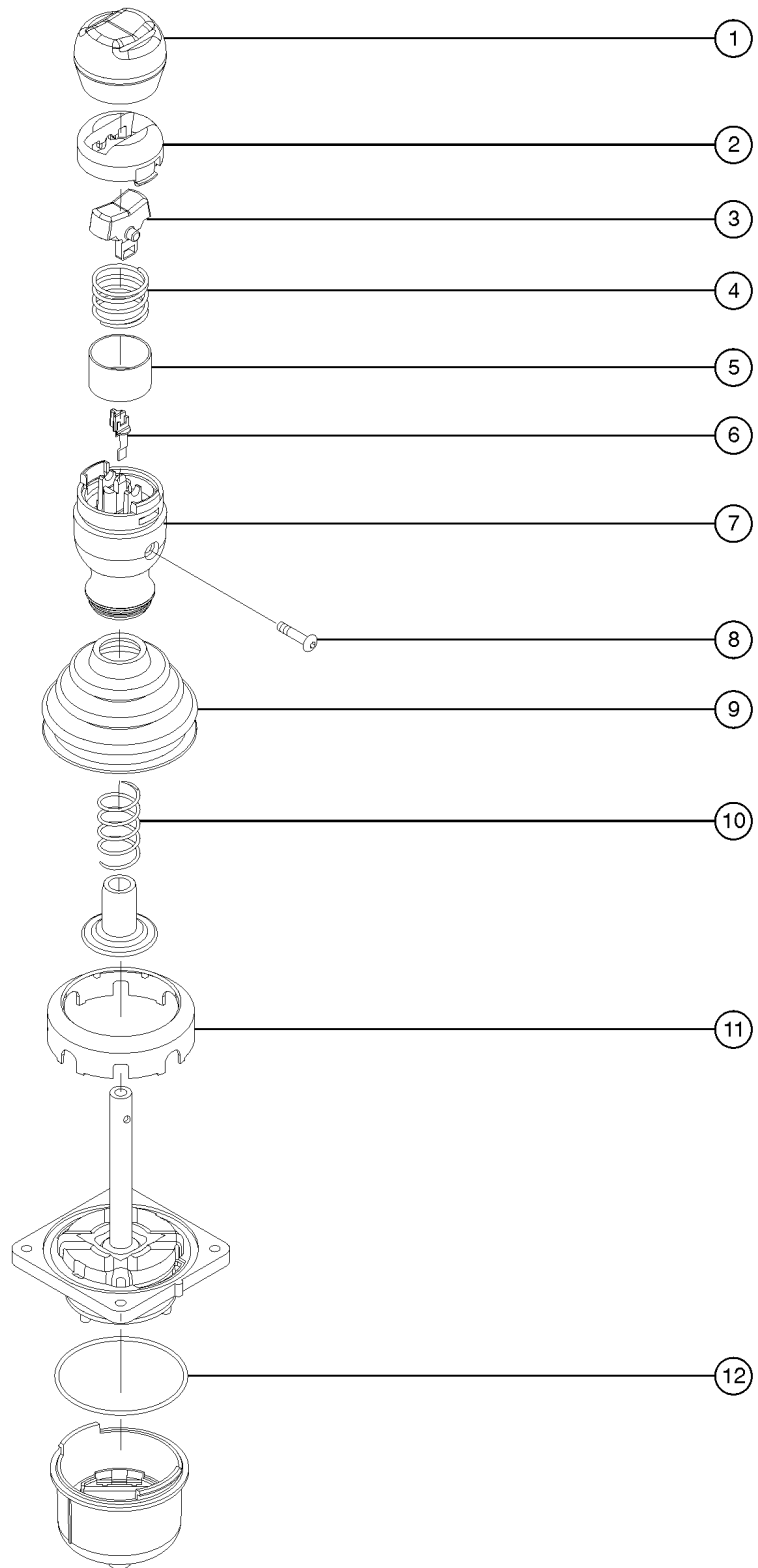
705.2 Standard Joystick (from SN 14782)



705.2 Standard Joystick (from SN 14782)

Item	Part No.	Description	Qty.
--	101174	JOYSTICK,2 AXIS,DEUTSCH <i>OEM joystick (calibration required after replacement)</i>	
--	101174H	JOYSTICK,DUAL AXIS W/KNOB <i>aftermarket joystick (calibration required after replacement)</i>	
--	101175	JOYSTICK,1 AXIS,DEUTSCH <i>OEM joystick (calibration required after replacement)</i>	
--	101175H	JOYSTICK,SINGLE AXIS W/KNOB <i>aftermarket joystick (calibration required after replacement)</i>	
--	83098	TERM,AMP MTE,SOC,22-26 GA BULK	
--	119613	HARN JOYSTICK ADAPTOR JS100 <i>for first time replacement on machines before SN 14782</i>	
1	62392	KNOB,JOYSTICK, 62390/62391.....	1
2	T112626	SCREW, PHM, #6-32 X .625 ZINC.....	1
3	139598	BOOT,JOYSTICK.....	1
4	62395	SPRING,JOYSTK CENTR,62390/91.....	1
5	119915	COLLAR,JOYSTICK,CENTER.....	1
6	128000	SEAL, CONNECTOR (DT JOYSTICKS).....	1
7	128001	SLEEVE,CONNECTOR,DT JOYSTICKS.....	1

706.1 Optional Joystick (to SN 14781)

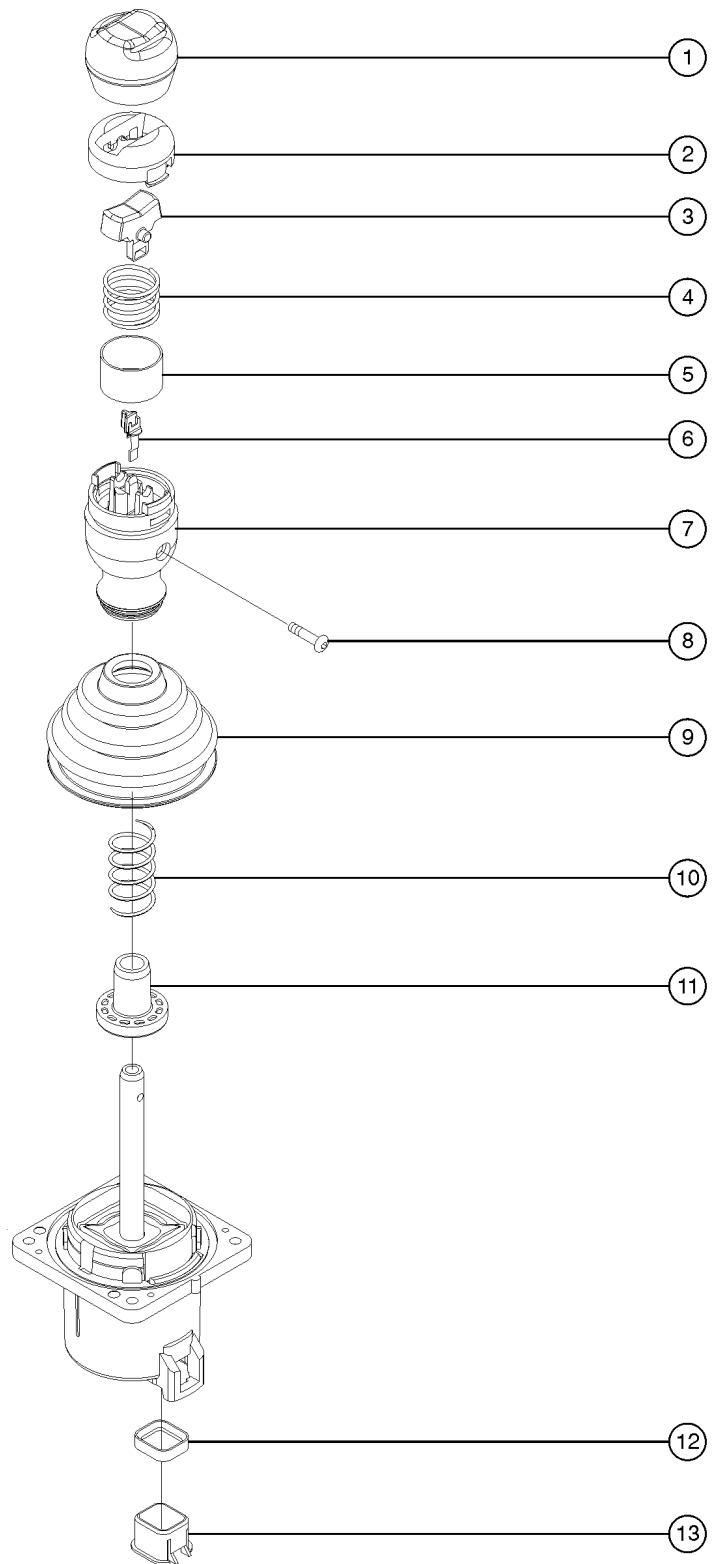




706.1 Optional Joystick (to SN 14781)

Item	Part No.	Description	Qty.
--	111416	JOYSTICK W/HARN ADPTR KIT RCKR <i>This kit converts joystick to Deutsch style connection (OEM joystick); after first time replacement, refer to section 706.2</i>	
--	119613	HARN JOYSTICK ADAPTOR JS100 <i>Required for first time replacement</i>	
1	75443	BOOT, ROCKER JOYSTICK 75565.....	1
2	75444	ROCKER,RETAINER, 75565.....	1
3	75445	ROCKER ASSY.,MAGNETIC 75565.....	1
4	75446	SPRING,SWITCH CENTERING,75565.....	1
5	75447	SWITCH SHIELD,ROCK JOYSTK75565.....	1
6	75448	SUPPORT,SENSOR,JOYSTICK....	1
7	75449	KNOB,ROCKER JOYSTICK 75565.....	1
8	T112626	SCREW, PHM, #6-32 X .625 ZINC.....	1
9	139598	BOOT,JOYSTICK.....	1
10	62395	SPRING,JOYSTK CENTR,62390/91.....	1
11	75143	BOOT GUARD, JOYSTICK 62390/91.....	1
12		O-RING,JOYSTICK, 62390/62391... <i>no longer available from supplier</i>	1

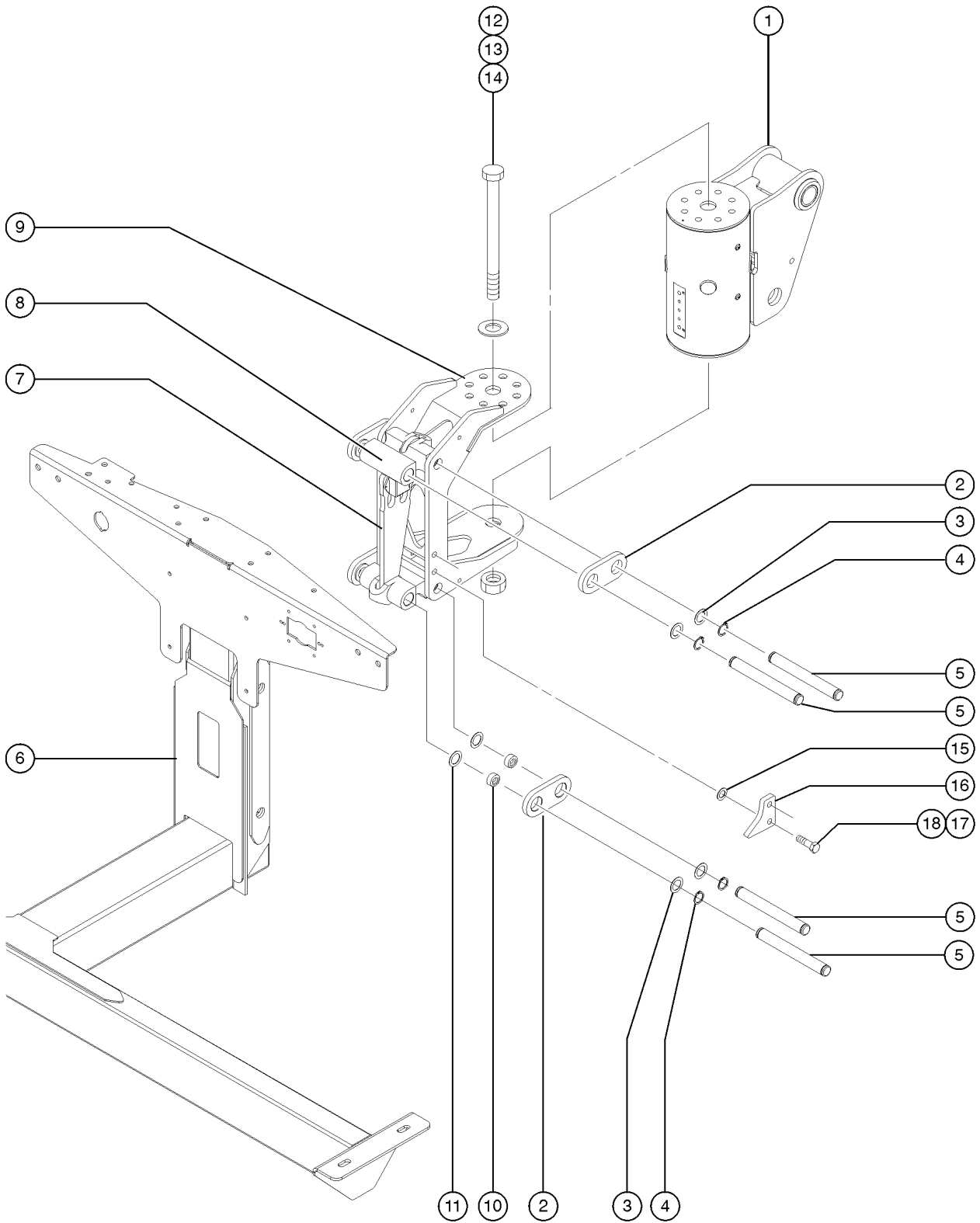
706.2 Optional Joystick (from SN 14782)



706.2 Optional Joystick (from SN 14782)

Item	Part No.	Description	Qty.
--	101005	JOYSTICK,1 AXIS ROCKER,DEUTSCH <i>OEM joystick (calibration required after replacement)</i>	
--	101005H	JOYSTICK,SINGLE AXIS W/STEER <i>aftermarket joystick (calibration required after replacement)</i>	
--	83098	TERM,AMP MTE,SOC,22-26 GA BULK	
--	119613	HARN JOYSTICK ADAPTOR JS100 <i>for units before SN 14782</i>	
1	75443	BOOT, ROCKER JOYSTICK 75565.....	1
2	75444	ROCKER,RETAINER, 75565.....	1
3	75445	ROCKER ASSY.,MAGNETIC 75565.....	1
4	75446	SPRING,SWITCH CENTERING,75565.....	1
5	75447	SWITCH SHIELD,ROCK JOYSTK75565.....	1
6	75448	SUPPORT,SENSOR,JOYSTICK.....	1
7	75449	KNOB,ROCKER JOYSTICK 75565.....	1
8	T112626	SCREW, PHM, #6-32 X .625 ZINC.....	1
9	139598	BOOT,JOYSTICK.....	1
10	62395	SPRING,JOYSTK CENTR,62390/91.....	1
11	119915	COLLAR,JOYSTICK,CENTER.....	1
12	128000	SEAL, CONNECTOR (DT JOYSTICKS).....	1
13	128001	SLEEVE,CONNECTOR,DT JOYSTICKS.....	1

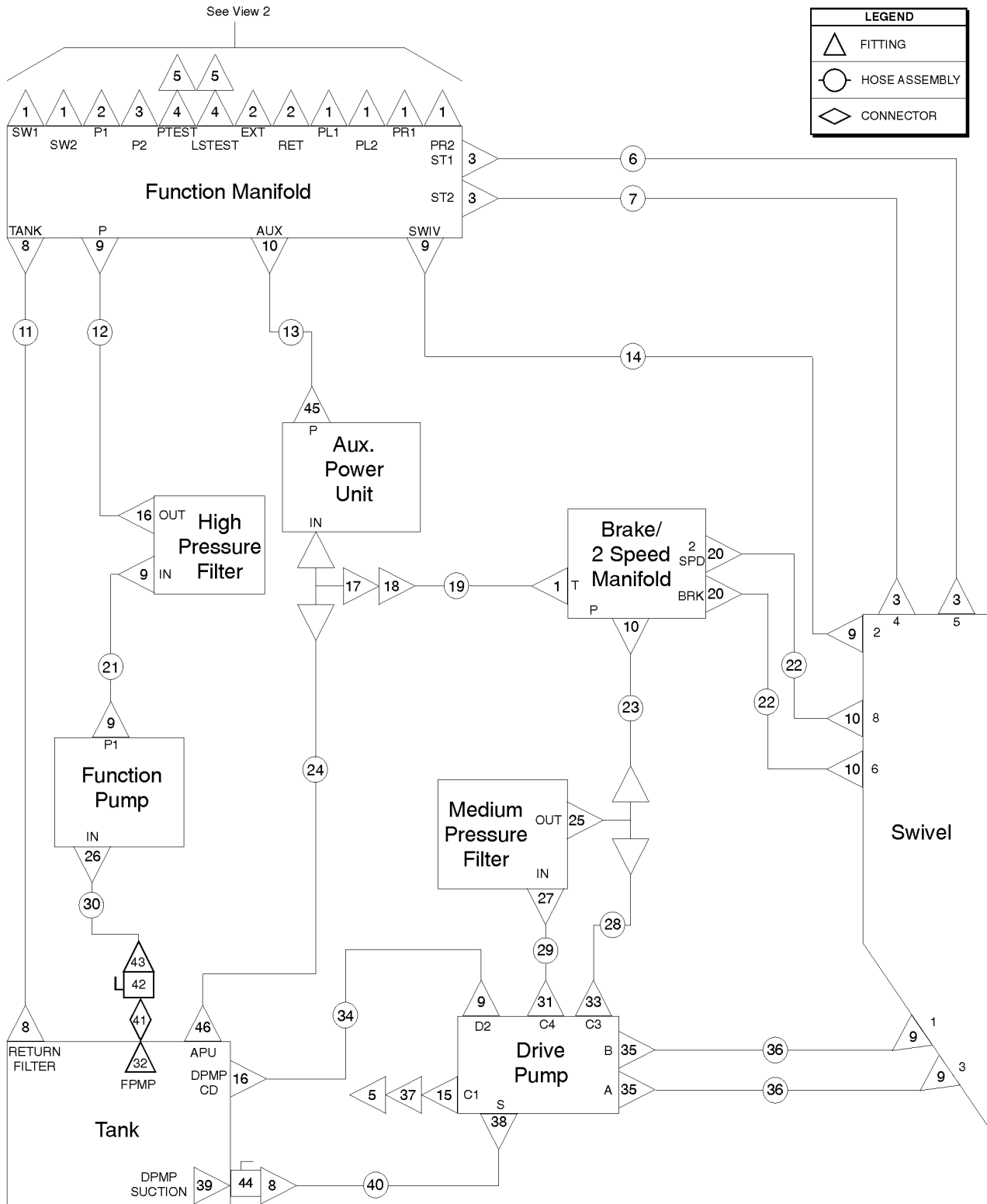
707.1 S-60 HC Platform Overload



## 707.1 S-60 HC Platform Overload

Item	Part No.	Description	Qty.
1	226541	ROTATOR,PLATFORM,15K.....	1
--	147370	SEAL KIT,15K ROTATOR for 107836; to SN 21918	
--	226542	SEAL KIT, 15K ROTATOR for 226541; from SN 21919	
2	110784	MACHINED,LOAD CELL LINK.....	2
--	47548	BEARING,FL,0.75ID X 1 OD X .49.....	8
3	6563	WASHER,SHIM,.75 X 1.125 X.030.....	4
4	10262	SNAP RING,EXTERNAL,.75 DIA....	4
5	110785	PIN,.75DIA X 6.38 LG,2RING.....	4
6	106399	WELDMENT,PLATFORM SUPPORT.....	1
7	106766	LOAD CELL FLEXURE.....	1
8	119230	MACH,PLATE,LOAD SUPPORT....	2
9	107564	WELDMENT,ROTATOR MOUNT.....	1
10	25685	BEARING,GARLOCK,12FDU12....	8
11	110789	WASHER,SHIM .0151 THK.....	8
12	74255	SCREW,HHC,1-8 X 12.75	
13	122079	WASHER,FLAT,1.000,HARDENED	
14	29764	NUT,NYLOCK,1-8	
15	7268	WASHER,SHIM,.375 X.625X.033 ST.....	4
16	139248	MACH.,PLATE,STOP.....	2
17	8516	SCREW,HHC,3/8-16 X 1.50,GR5	
18	4828	NUT,NYLOCK,3/8-16	

801.1 Function Manifold - View 1



801.1 Function Manifold - View 1

Item	Part No.	Description	Qty.	Item	Part No.	Description	Qty.
--		<i>The hose lengths below reflect the length of the hose only. Refer to the 'Fittings Cross Reference' to match Genie part numbers to Parker part numbers.</i>		21	61073-3930	HOSE ASSY.,3/4",90øFEM,STR FEM.....1 <i>Components: Genie part numbers 48846, 48841 and 48762 @ 36 inches</i>	1
1	48905	CONN,520120-4***.....7		22	49119-2878	HOSE ASSY,1/4,STR FEM,STR FEM.....2 <i>Components: Genie part numbers 48800, 48800 and 48751 @ 27 inches</i>	2
2	48933	CONN,520120-8***.....3		23	49117-3391	HOSE ASSY,1/4,90 FEM,STR FEM.....1 <i>Components: Genie part numbers 48800, 48802 and 48751 @ 32 inches</i>	1
3	48916	FITTING,CONN,520120-6.....5		24	94465-3650	HOSE ASSY,1/2".....1 <i>Components: Genie part numbers 48808, 48808 and 39888 @ 35 inches</i>	1
4	48998	NIPPLE,DIAGNOSTIC,#6 PORT***.....2		25	48936	TEE,BRANCH,520429-8.....1	1
5	48880	CAP,DIAGNOSTIC NIPPLE.....2		26	88936	CONNECTOR,520120-20-16.....1	1
6	49130-5782	HOSE ASSY 3/8, STR FEM,STR FEM.....1 <i>Components: Genie part numbers 48812, 48812 and 48753 @ 56 inches</i>		27	48932	FITTING,ELBOW,90D,520220-8***..1	1
7	49130-5582	HOSE ASSY 3/8, STR FEM,STR FEM.....1 <i>Components: Genie part numbers 48812, 48812 and 48753 @ 54 inches</i>		28	49143-3429	HOSE ASSY,1/2,90 FEM,STR FEM.....1 <i>Components: Genie part numbers 48822, 48827 and 48756 @ 32 inches</i>	1
8	48984	CONN,520120-16.....2		29	49143-3629	HOSE ASSY,1/2,90 FEM,STR FEM.....1 <i>Components: Genie part numbers 48822, 48827 and 48756 @ 34 inches</i>	1
9	48960	FITTING,CONN,520120-12.....6		30	88943-8236	HOSE ASSY,1.25",90 FEM,STR FEM.....1 <i>Components: Genie part numbers 88474, 88477, 88944 and 88478 @ 78.5 inches (to SN 9655)</i>	1
10	48904	ELBOW,90D,520220-4-4.....4		--	88943-7636	HOSE ASSY,1.25",90 FEM,STR FEM.....1 <i>Components: Genie part numbers 88474, 88477, 88944 and 88478 @ 72.5 inches (from SN 9656)</i>	1
11	88949-3828	HOSE ASSY 1",STR FEM,STR FEM.....1 <i>Components: Genie part numbers 88938, 88941 and 88940 @ 36 inches</i>		31	48949	CONN,520120-8-16.....1	1
12	61074-7572	HOSE ASSEMBLY 3/4" STR-STR....1 <i>Components: Genie part numbers 48841, 48841 and 48762 @ 72 inches</i>		32	139340	KIT, STRAINER REPLACEMENT....1 <i>to SN 9655</i>	1
13	49117-2491	HOSE ASSY,1/4,90 FEM,STR FEM.....1 <i>Components: Genie part numbers 48802, 48800 and 48751 @ 23 inches</i>		--	101491	STRAINER,20 SAE F/24 SAE M <i>from SN 9656</i>	1
14	49151-6248	HOSE ASSY,3/4,STR FEM,STR FEM.....1 <i>Components: Genie part numbers 48841, 48841 and 48761 @ 60 inches</i>		33	48946	CONN,520120-8-10.....1	1
15	48914	CONN,520120-4-8.....1		34	49150-9130	HOSE ASSY,3/4,90 FEM,STR FEM.....1 <i>Components: Genie part numbers 48841, 48846 and 48761 @ 88 inches</i>	1
16	48963	FITTING,ELBOW,45D,520320-12***.1		35	48977	CONN,520120-12-16.....2	2
17	48935	TEE,RUN,520428-8.....1					
18	48941	REDUCER,520123-8-4.....2					
19	49117-4491	HOSE ASSY,1/4,90 FEM,STR FEM.....1 <i>Components: Genie part numbers 48800, 48802 and 48751 @ 43 inches</i>					
20	48907	ELBOW,45D,520320-4.....2					



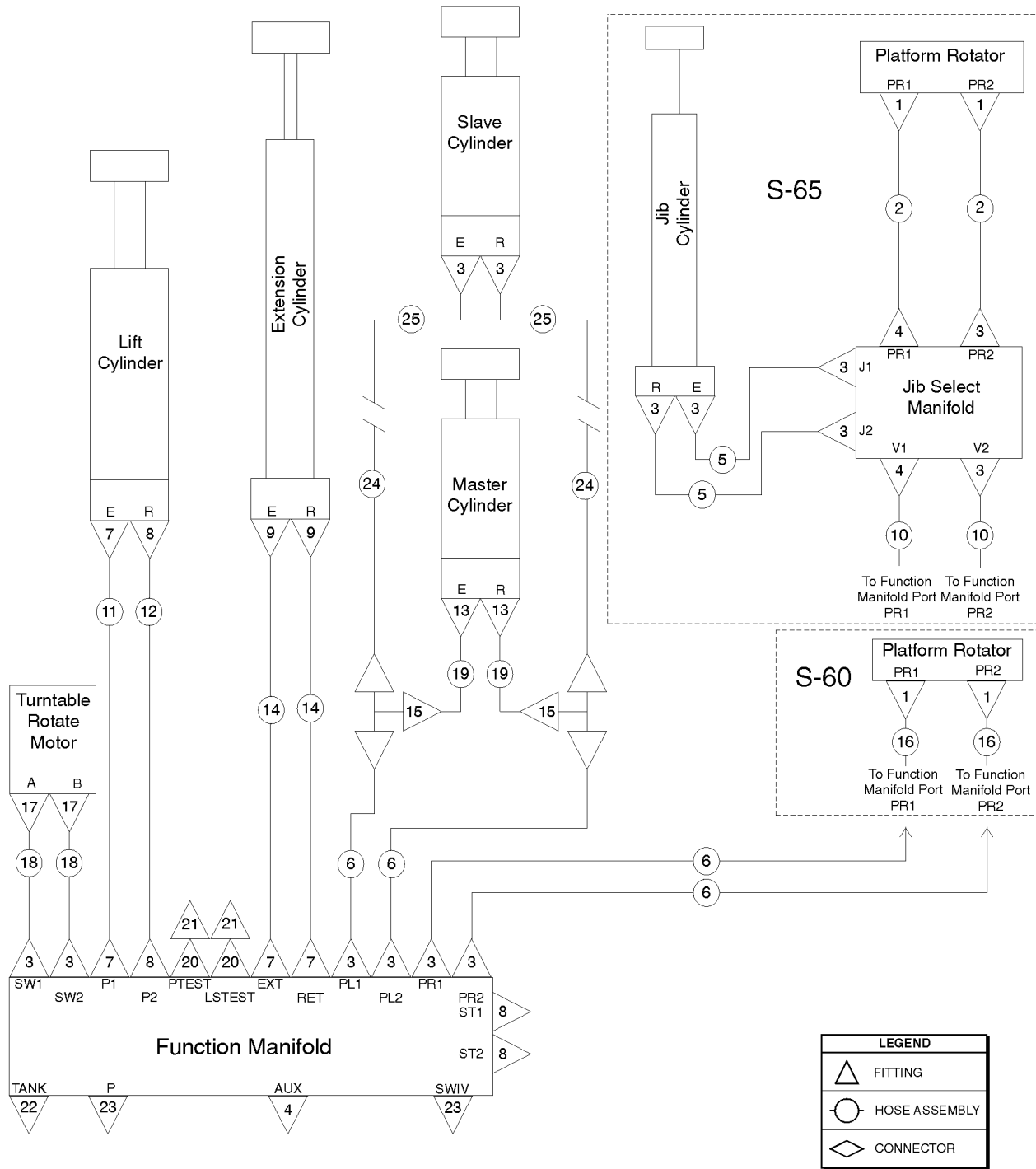
801.1 Function Manifold - View 1  
(continued)

Item	Part No.	Description	Qty.
36	94374-6030	HOSE ASSY,3/4,90 FEM,STR FEM.....2 <i>Components: Genie part numbers 48841, 48846 and 84358 @ 57 inches</i>	
37	49207	NIPPLE,DIAGNOSTIC,ORFS,FM,SWIV.1	
38	48985	ELBOW,45D,520320-16.....1	
39	147419	KIT,STRAINER REPLACEMENT.....1 <i>to SN 9655</i>	
--	101490	STRAINER,16 SAE F/24 SAE M.....1 <i>from SN 9656</i>	
40	88942-8754	HOSE ASSY,1",90 FEM,STR FEM.....1 <i>Components: Genie part numbers 88938, 88941, 88939 and 88940 @ 84 inches (to SN 9655)</i>	
--	88942-8354	HOSE ASSY,1",90 FEM,STR FEM <i>Components: Genie part numbers 88938, 88941, 88939 and 88940 @ 80 inches (from SN 9656)</i>	
41	61263	UNION,STR.THREAD 20.....1	
42	101494	VALVE,BALL,FSAE-20,FSAE-20.....1	
43	75654	CONN,520120-20.....1	
44	48996	VALVE,BALL,16 MSAE-16 FSAE*** .....1	
45	48912	CONN,520120-4-6*** .....1	
46	48943	FITTING,CONN,520120-8-6.....1	



*This Page Intentionally Left Blank*

802.1 Function Manifold - View 2

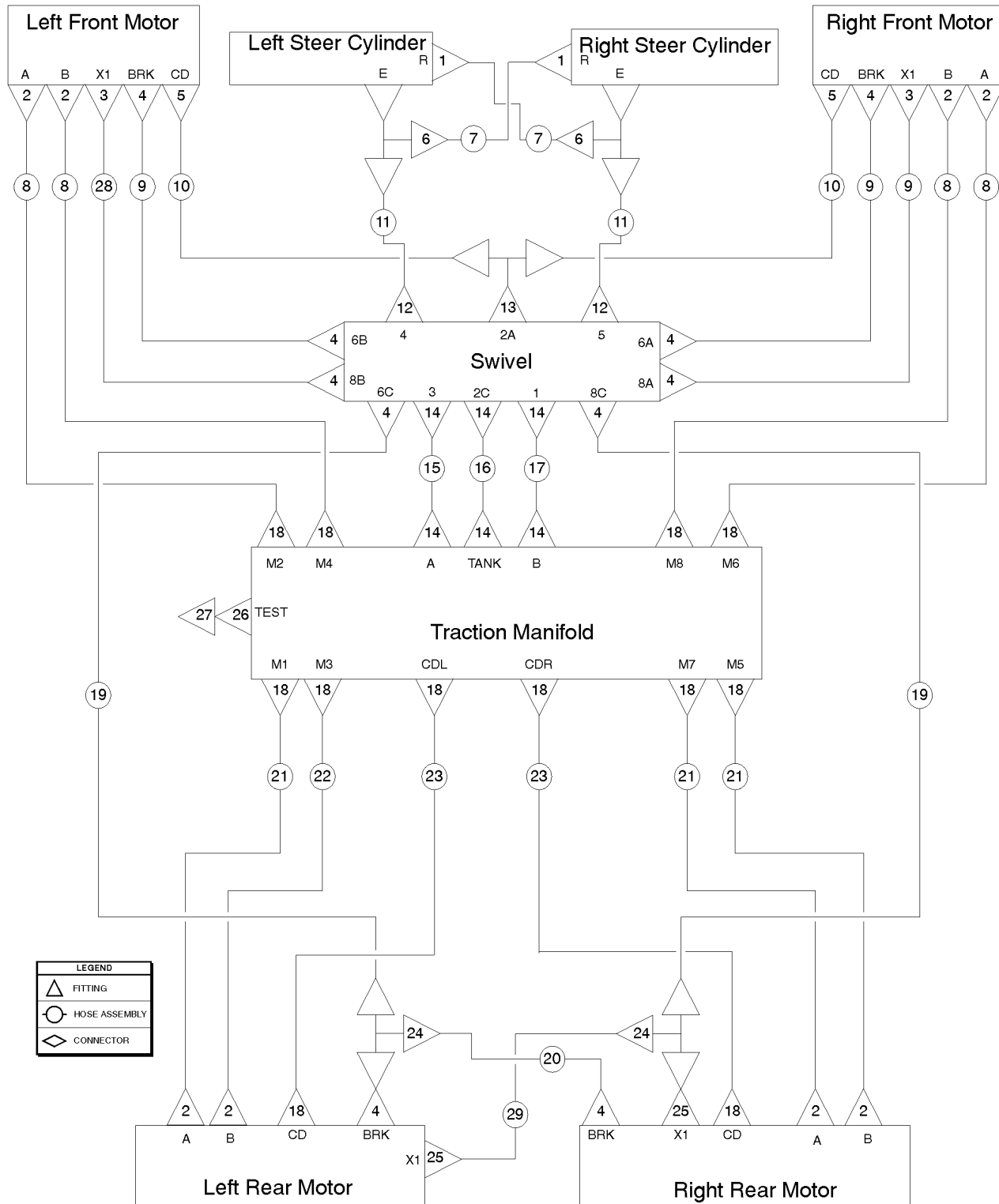


802.1 Function Manifold - View 2

Item	Part No.	Description	Qty.	Item	Part No.	Description	Qty.
--		<i>The hose lengths below reflect the length of the hose only. Refer to the 'Fittings Cross Reference' to match Genie part numbers to Parker part numbers.</i>		--	49128-13809	HOSE ASSY 3/8,STR FEM,90D.....1 <i>Components: Genie part numbers 48812, 48816 and 48753 @ 136 inches (from SN 10345)</i>	1
1	48907	ELBOW,45D,520320-4.....	2	13	48911	ELBOW,90D,520220-4-6***.....	2
2	49119-2878	HOSE ASSY,1/4,STR FEM,STR FEM..... <i>Components: Genie part numbers 48800, 48800 and 48751 @ 27 inches</i>	2	14	49183-13492	HOSE ASSY,1/2,STR FEM,STR FEM..... <i>Components: Genie part numbers 48822, 48822 and 48756 @ 133 inches</i>	2
3	48905	CONN,520120-4***.....	11	15	48908	FITTING,TEE,RUN,SWIVEL520432-4.2	2
4	48904	ELBOW,90D,520220-4-4.....	2	16	49119-71478	HOSE ASSY,1/4,STR FEM,STR FEM..... <i>Components: Genie part numbers 48800, 48800 and 48751 @ 713 inches (to SN 16340)</i>	2
5	49119-4278	HOSE ASSY,1/4,STR FEM,STR FEM..... <i>Components: Genie part numbers 48800, 48800 and 48751 @ 41 inches</i>	2	--	49119-72078	HOSE ASSY,1/4,STR FEM,STR FEM <i>Components: Genie part numbers 48800, 48800 and 48751 @ 719 inches (from SN 16341)</i>	2
6	88636-11973	HOSE ASSY 1/4,STR FEM,STR BULK..... <i>Components: Genie part numbers 48800, 75628 and 48751 @ 117 inches</i>	4	17	49418	FITTING,ELBOW,45D,520320-4-6**.	2
7	48933	CONN,520120-8***.....	4	18	49119-7478	HOSE ASSY,1/4,STR FEM,STR FEM..... <i>Components: Genie part numbers 48800, 48800 and 48751 @ 73 inches</i>	2
8	48916	FITTING,CONN,520120-6.....	3	19	49117-3791	HOSE ASSY,1/4,90 FEM,STR FEM**..... <i>Components: Genie part numbers 48800, 48802 and 48751 @ 36 inches</i>	2
9	48937	ELBOW,45D,520320-8.....	2	20	48998	NIPPLE,DIAGNOSTIC,#6 PORT***.....	2
10	49119-79278	HOSE ASSY,1/4,STR FEM,STR FEM..... <i>Components: Genie part numbers 48800, 48800 and 48751 @ 791 inches (to SN 16340)</i>	2	21	48880	CAP,DIAGNOSTIC NIPPLE.....	2
--	49119-79678	HOSE ASSY,1/4,STR FEM,STR FEM <i>Components: Genie part numbers 48800, 48800 and 48751 @ 795 inches (from SN 16341)</i>	2	22	48984	CONN,520120-16.....	1
11	49183-17692	HOSE ASSY,1/2,STR FEM,STR FEM..... <i>Components: Genie part numbers 48822, 48822 and 48756 @ 175 inches (to SN 10344)</i>	1	23	48960	FITTING,CONN,520120-12.....	1
--	49143-13829	HOSE ASSY,1/2,STR FEM,STR FEM..... <i>Components: Genie part numbers 48822, 48827 and 48756 @ 136 inches (from SN 10345)</i>	1	24	49119-70678	HOSE ASSY,1/4,STR FEM,STR FEM..... <i>Components: Genie part numbers 48800, 48800 and 48751 @ 705 inches (to SN 16340)</i>	2
12	49130-17682	HOSE ASSY 3/8, STR FEM,STR FEM..... <i>Components: Genie part numbers 48812, 48812 and 48753 @ 175 inches (to SN 10344)</i>	1	--	49119-70978	HOSE ASSY,1/4,STR FEM,STR FEM <i>Components: Genie part numbers 48800, 48800 and 48751 @ 708 inches (from SN 16341)</i>	2
				25	88636-2573	HOSE ASSY 1/4,STR FEM,STR BULK..... <i>Components: Genie part numbers 48800, 75628 and 48751 @ 23 inches</i>	2
				--	75574	NUT,BULKHEAD,520118-4 <i>(item sold seperately)</i>	1



803.1 4WD Traction Manifold

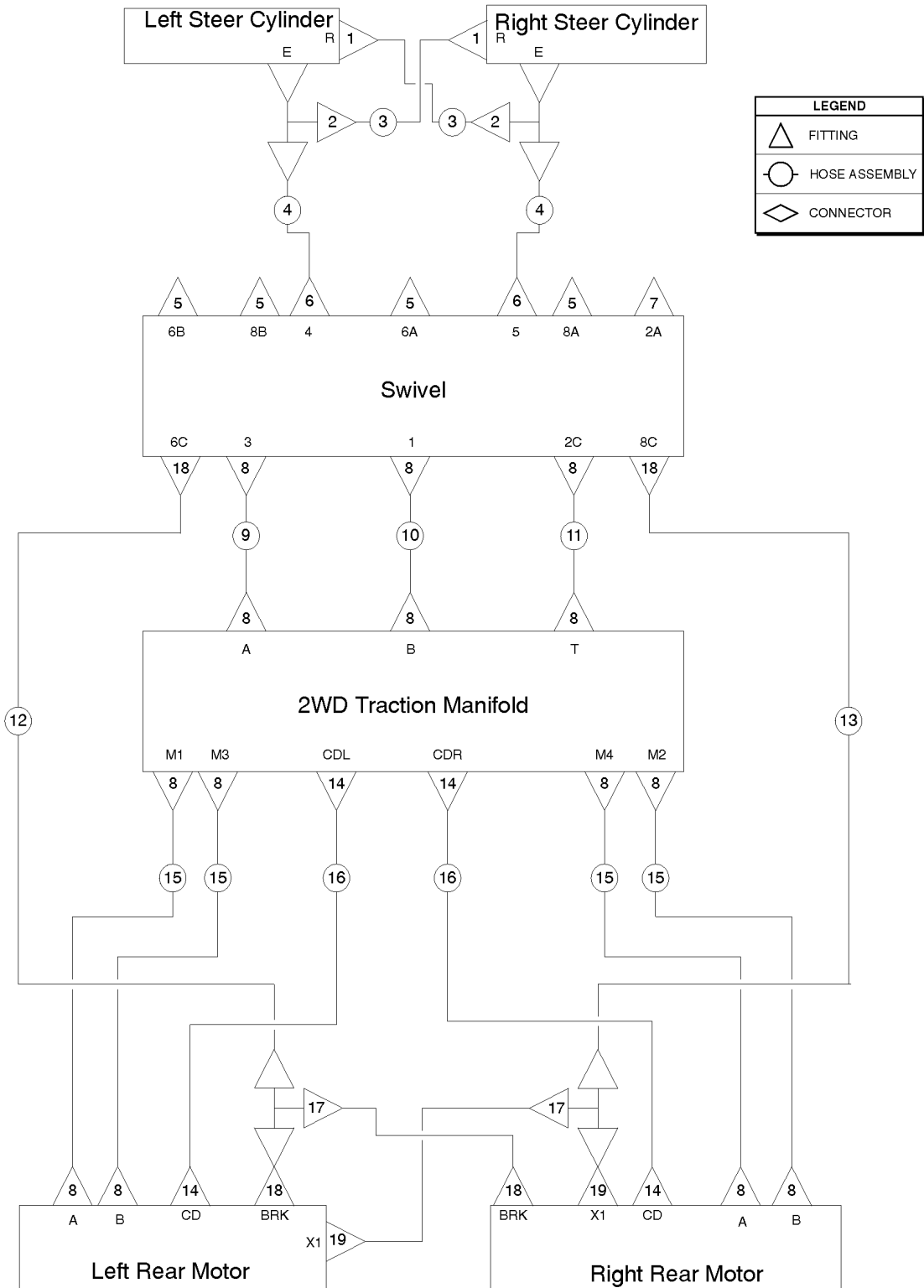


803.1 4WD Traction Manifold

Item	Part No.	Description	Qty.	Item	Part No.	Description	Qty.
--		<i>The hose lengths below reflect the length of the hose only. Refer to the 'Fittings Cross Reference' to match Genie part numbers to Parker part numbers.</i>		15	94374-2430	HOSE ASSY,3/4,90 FEM,STR FEM.....1 <i>Components: Genie part numbers 48841, 48846 and 94358 @ 21 inches</i>	1
1	48915	ELBOW,90D,520220-6.....2	2	16	94466-2336	HOSE ASSY,3/4".....1 <i>Components: Genie part numbers 48809, 48809 and 39889 @ 21 inches</i>	1
2	48948	CONN,520120-8-12.....8	8	17	94374-2630	HOSE ASSY,3/4,90 FEM,STR FEM**.....1 <i>Components: Genie part numbers 48841, 48846 and 94358 @ 23 inches</i>	1
3	48912	CONN,520120-4-6***.....2	2	18	48933	CONN,520120-8***.....12	12
4	48905	CONN,520120-4***.....10	10	19	49119-7578	HOSE ASSY,1/4 STR FEM,STR FEM.....2 <i>Components: Genie part numbers 48800, 48800 and 48751 @ 74 inches</i>	2
5	48930	FITTING,CONN,520120-6-8***.....2	2	20	49117-6291	HOSE ASSY,1/4,90 FEM,STR FEM.....1 <i>Components: Genie part numbers 48800, 48802 and 48751 @ 61 inches</i>	1
6	48918	TEE,RUN,520428-6.....2	2	21	75278-5029	HOSE ASSY,1/2,90 FEM,STR FEM.....3 <i>Components: Genie part numbers 48822, 48827 and 56777 @ 48 inches</i>	3
7	49130-2482	HOSE ASSY 3/8, STR FEM,STR FEM.....2 <i>Components: Genie part numbers 48812, 48812 and 48753 @ 23 inches</i>	2	22	75278-5129	HOSE ASSY,1/2,90 FEM,STR FEM.....1 <i>Components: Genie part numbers 48822, 48827 and 56777 @ 49 inches</i>	1
--	101795-2482	HOSE ASSY,3/8,STR FEM,STR FEM <i>Components: Genie part numbers 48812, 48812 and 101697 @ 23 inches (arctic option)</i>		23	94464-4986	HOSE ASSY,1/2".....2 <i>Components: Genie part numbers 48808, 77703 and 39888 @ 48 inches</i>	2
8	81812-13292	HOSE ASSY,1/2".....4 <i>Components: Genie part numbers 48822, 48822 and 56777 @ 131 inches</i>	4	24	48908	FITTING,TEE,RUN,SWIVEL520432-4.2	
9	49117-10091	HOSE ASSY,1/4,90 FEM,STR FEM.....3 <i>Components: Genie part numbers 48800, 48802 and 48751 @ 99 inches</i>	3	25	48911	ELBOW,90D,520220-4-6***.....2	2
--	101790-10091	HOSE ASSY,1/4,90 FEM,STR FEM <i>Components: Genie part numbers 48800, 48802 and 101697 @ 99 inches (arctic option)</i>		26	48998	NIPPLE,DIAGNOSTIC,#6 PORT***.....1	1
10	49131-9603	HOSE ASSEMBLY 3/8".....2 <i>Components: Genie part numbers 48812, 48819 and 48753 @ 94 inches</i>	2	27	48880	CAP,DIAGNOSTIC NIPPLE.....1	1
--	102230-9589	HOSE ASSY,3/8,STR FEM,STR FEM <i>Components: Genie part numbers 48812, 48819 and 101698 @ 94 inches (arctic option)</i>		28	49117-10691	HOSE ASSY 1/4,90 FEM STR FEM.....1 <i>Components: Genie part numbers 48800, 48802 and 48751 @ 105 inches</i>	1
11	49130-4782	HOSE ASSY,3/8,STR FEM,STR FEM.....2 <i>Components: Genie part numbers 48812, 48812 and 48753 @ 46 inches</i>	2	--	101790-10691	HOSE ASSY,1/4,90 FEM,STR FEM <i>Components: Genie part numbers 48800, 48802 and 48751 @ 105 inches (arctic option)</i>	
12	48916	FITTING,CONN,520120-6.....2	2	29	49117-6091	HOSE ASSY,1/4,90 FEM,STR FEM**.....1 <i>Components: Genie part numbers 48800, 48802 and 48751 @ 59 inches</i>	1
13	48936	TEE,BRANCH,520429-8.....1	1				
14	48960	FITTING,CONN,520120-12.....6	6				



804.1 2WD Traction Manifold

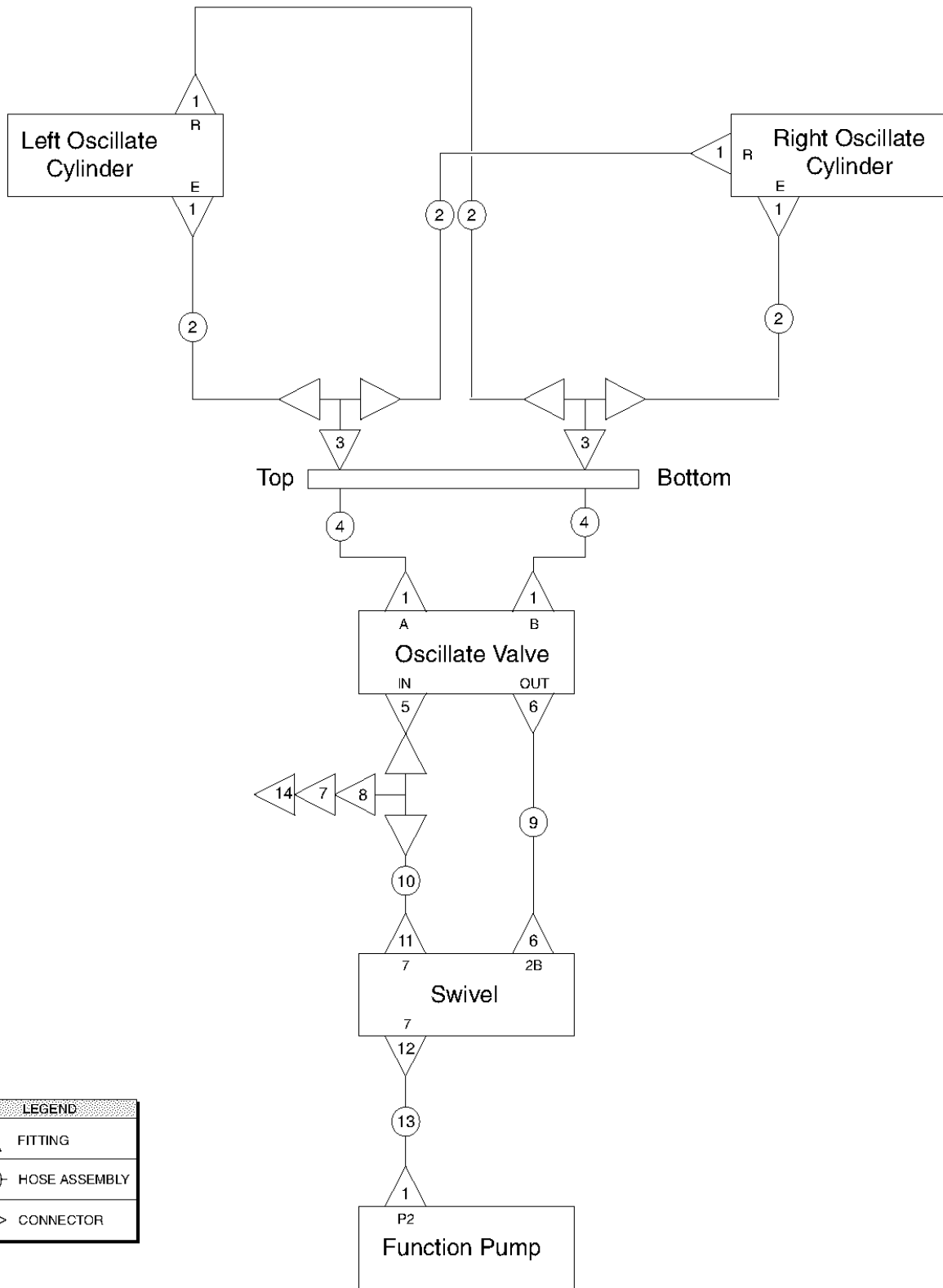


804.1 2WD Traction Manifold

Item	Part No.	Description	Qty.	Item	Part No.	Description	Qty.
--		<i>The hose lengths below reflect the length of the hose only. Refer to the 'Fittings Cross Reference' to match Genie part numbers to Parker part numbers.</i>		17	48908	FITTING,TEE,RUN,SWIVEL520432-4.2	
				18	48905	CONN,520120-4*** .....	2
				19	48911	ELBOW,90D,520220-4-6*** .....	1
1	48915	ELBOW,90D,520220-6.....	2				
2	48918	TEE,RUN,520428-6.....	2				
3	49130-2482	HOSE ASSY 3/8, STR FEM,STR FEM.....	2				
		<i>Components: Genie part numbers 48812, 48812 and 48753 @ 23 inches</i>					
4	49130-4782	HOSE ASSY,3/8,STR FEM,STR FEM.....	2				
		<i>Components: Genie part numbers 48812, 48812 and 48753 @ 46 inches</i>					
--	101795-4782	HOSE ASSY,3/8,STR FEM,STR FEM.....					
		<i>Components: Genie part numbers 48812, 48812 and 101698 @ 46 inches</i>					
5	49859	PLUG,090109A-4.....	4				
6	48916	FITTING,CONN,520120-6.....	2				
7	48883	PLUG,HEX,090109A-8*** .....	1				
8	48960	FITTING,CONN,520120-12.....	14				
9	94374-2330	HOSE ASSY,3/4,90 FEM,STR FEM.....	1				
		<i>Components: Genie part numbers 48841, 48846 and 94358 @ 20 inches</i>					
10	94374-2530	HOSE ASSY,3/4,90 FEM,STR FEM.....	1				
		<i>Components: Genie part numbers 48841, 48846 and 94358 @ 22 inches</i>					
11	94466-2336	HOSE ASSY,3/4".....	1				
12	49119-7578	HOSE ASSY,1/4 STR FEM,STR FEM.....	1				
		<i>Components: Genie part numbers 48800, 48800 and 48751 @ 74 inches</i>					
13	49119-7578	HOSE ASSY,1/4 STR FEM,STR FEM.....	1				
		<i>Components: Genie part numbers 48800, 48800 and 48751 @ 74 inches</i>					
14	48933	CONN,520120-8*** .....	4				
15	94374-4730	HOSE ASSY,3/4,90 FEM,STR FEM.....	4				
		<i>Components: Genie part numbers 48841, 48846 and 94358 @ 44 inches</i>					
16	94464-4986	HOSE ASSY,1/2".....	4				
		<i>Components: Genie part numbers 48808, 77703 and 39888 @ 48 inches</i>					



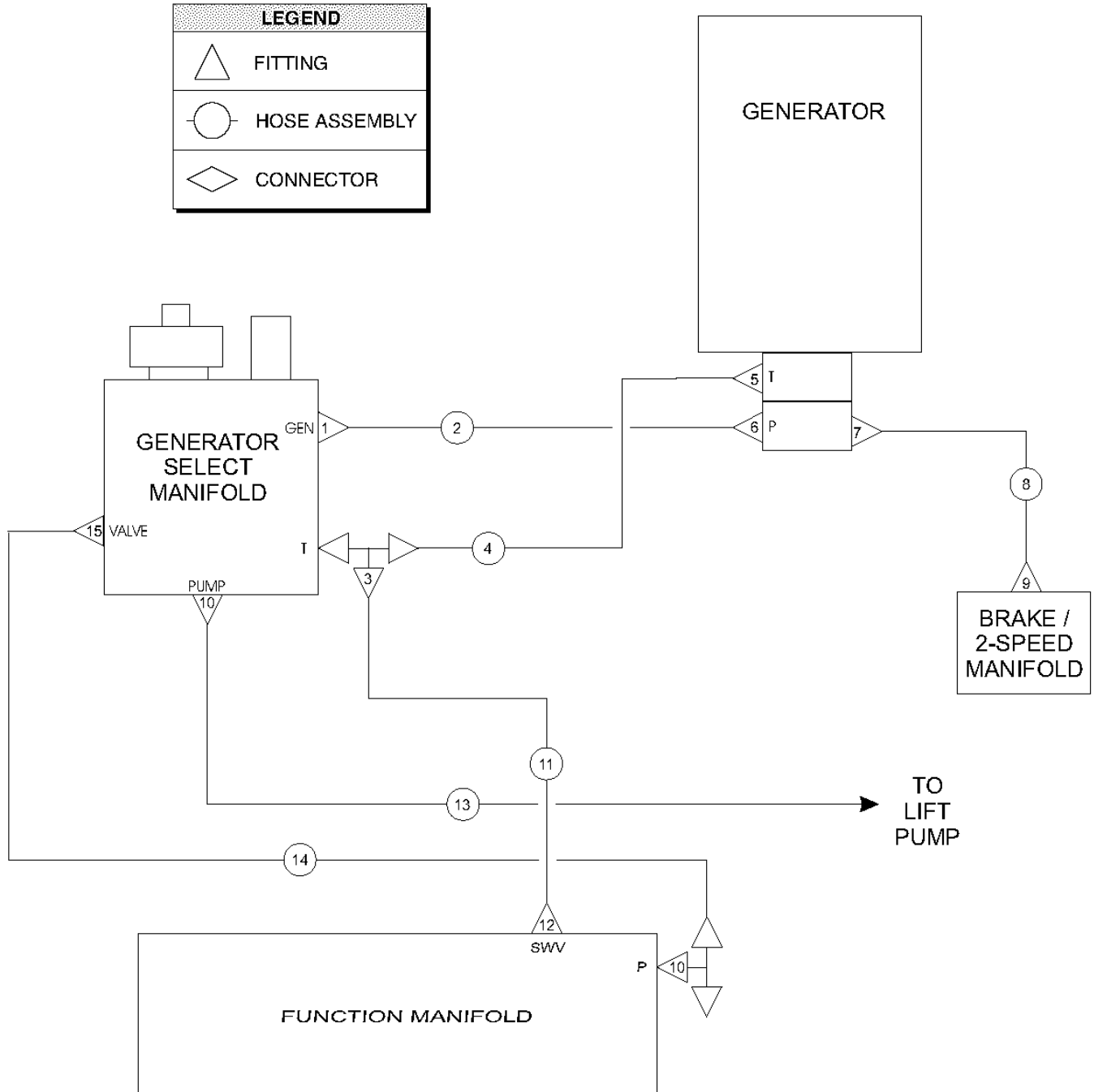
805.1 Oscillate Option








Item	Part No.	Description	Qty.
--		<i>The hose lengths below reflect the length of the hose only. Refer to the 'Fittings Cross Reference' to match Genie part numbers to Parker part numbers.</i>	
1	48912	CONN,520120-4-6***.....	7
2	49117-3291	HOSE ASSY,1/4,90 FEM,STR FEM..... <i>Components: Genie part numbers 48800, 48802 and 48751 @ 31 inches</i>	4
3	48891	FITTING,TEE,BRANCH,520433-4...	2
4	88636-8573	HOSE ASSY 1/4,STR FEM,STR BULK..... <i>Components: Genie part numbers 48800, 75628 and 48751 @ 83 inches</i>	2
5	48914	CONN,520120-4-8.....	1
6	48933	CONN,520120-8***.....	2
7	49207	NIPPLE,DIAGNOSTIC,ORFS,FM,SWIV.	1
8	48908	FITTING,TEE,RUN,SWIVEL520432-4.	1
9	94464-4186	HOSE ASSY,1/2"..... <i>Components: Genie part numbers 48808, 77703 and 39888 @ 40 inches</i>	1
10	49117-4491	HOSE ASSY,1/4,90 FEM,STR FEM..... <i>Components: Genie part numbers 48800, 48802 and 48751 @ 43 inches</i>	1
11	48905	CONN,520120-4***.....	1
--	49859	PLUG,090109A-4..... <i>models without oscillate</i>	1
12	48904	ELBOW,90D,520220-4-4.....	1
13	49117-5191	HOSE ASSY,1/4,90 FEM,STR FEM**..... <i>Components: Genie part numbers 48800, 48802 and 48751 @ 50 inches</i>	1
14	48880	CAP,DIAGNOSTIC NIPPLE.....	1

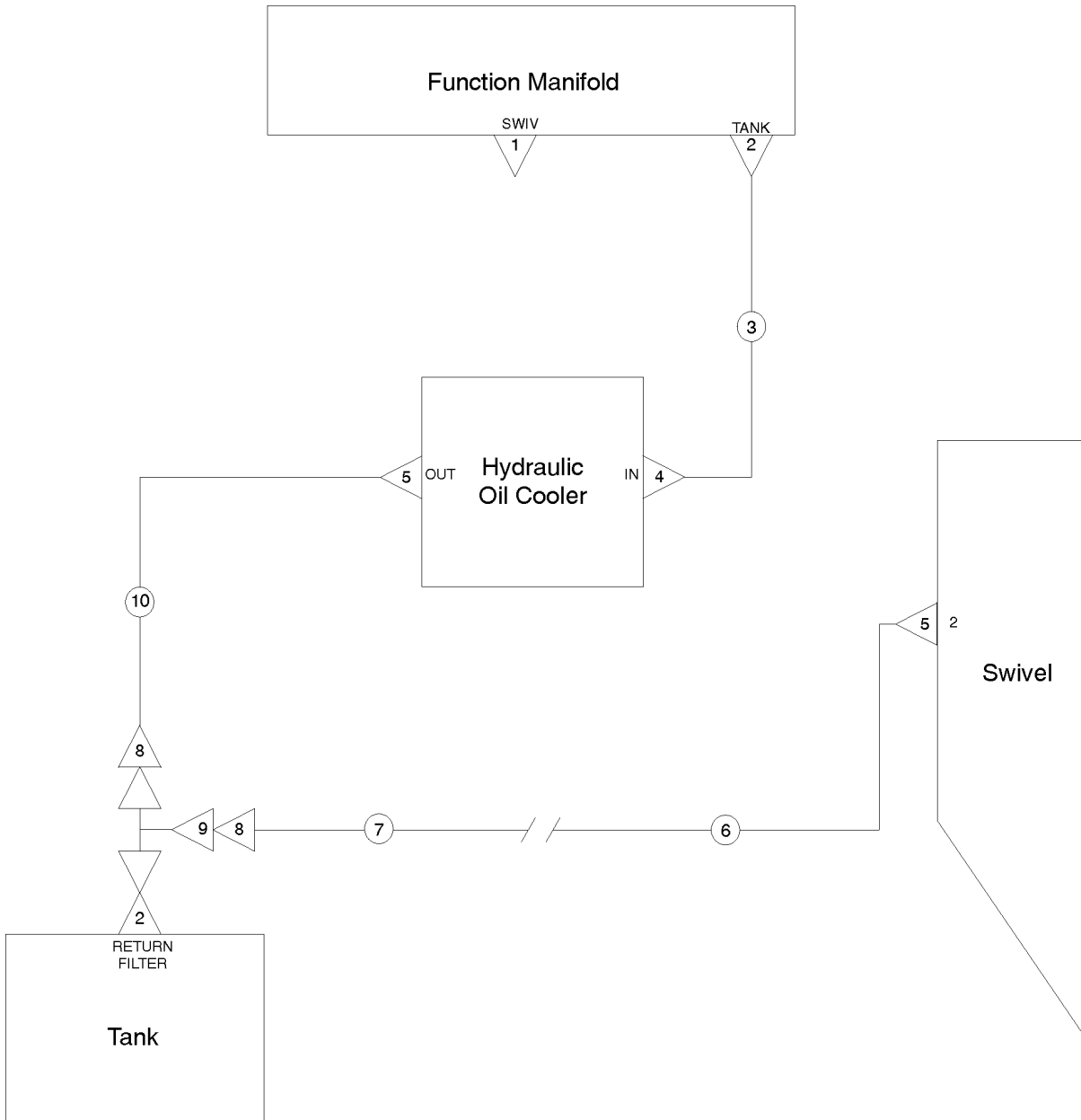
806.1 Hydraulic Generator Option



Item	Part No.	Description	Qty.
--		<i>The hose lengths below reflect the length of the hose only. Refer to the 'Fittings Cross Reference' to match Genie part numbers to Parker part numbers.</i>	
1	48933	CONN,520120-8*** .....1	1
2	49143-3179	HOSE ASSY,1/2,90 FEM,STR FEM.....1 <i>Components: Genie part numbers 48822, 48827 and 48756 @ 29.5 inches</i>	1
3	48935	TEE,RUN,520428-8.....1	1
4	49143-2979	HOSE ASSY,1/2,90 FEM,STR FEM.....1 <i>Components: Genie part numbers 48822, 48827 and 48756 @ 27.5 inches</i>	1
5	42790	ELBOW,45DEG,520320-8-10.....1	1
6	48937	ELBOW,45D,520320-8.....1	1
7	48905	CONN,520120-4*** .....1	1
8	49117-3691	HOSE ASSY,1/4,90 FEM,STR FEM.....1 <i>Components: Genie part numbers 48800, 48802 and 48751 @ 35 inches</i>	1
9	48908	FITTING,TEE,RUN,SWIVEL520432-4.1	1
10	48960	FITTING,CONN,520120-12.....1	1
11	49142-7112	HOSE ASSEMBLY,1/2,90FEM,STR FEM.....1 <i>Components: Genie part numbers 48822, 48839 and 48756 @ 68.5 inches</i>	1
12	48964	FITTING,TEE,RUN,SWIVEL52043212.1	1
13	61073-2830	HOSE ASSY,3/4",90 FEM, STR FEM.....1 <i>Components: Genie part numbers 48841, 48846 and 48762 @ 25 inches</i>	1
14	61074-6222	HOSE ASSEMBLY 3/4" STR-STR....1 <i>Components: Genie part numbers 48841, 48841 and 48762 @ 59.9 inches</i>	1
15	48963	FITTING,ELBOW,45D,520320-12***.1	1

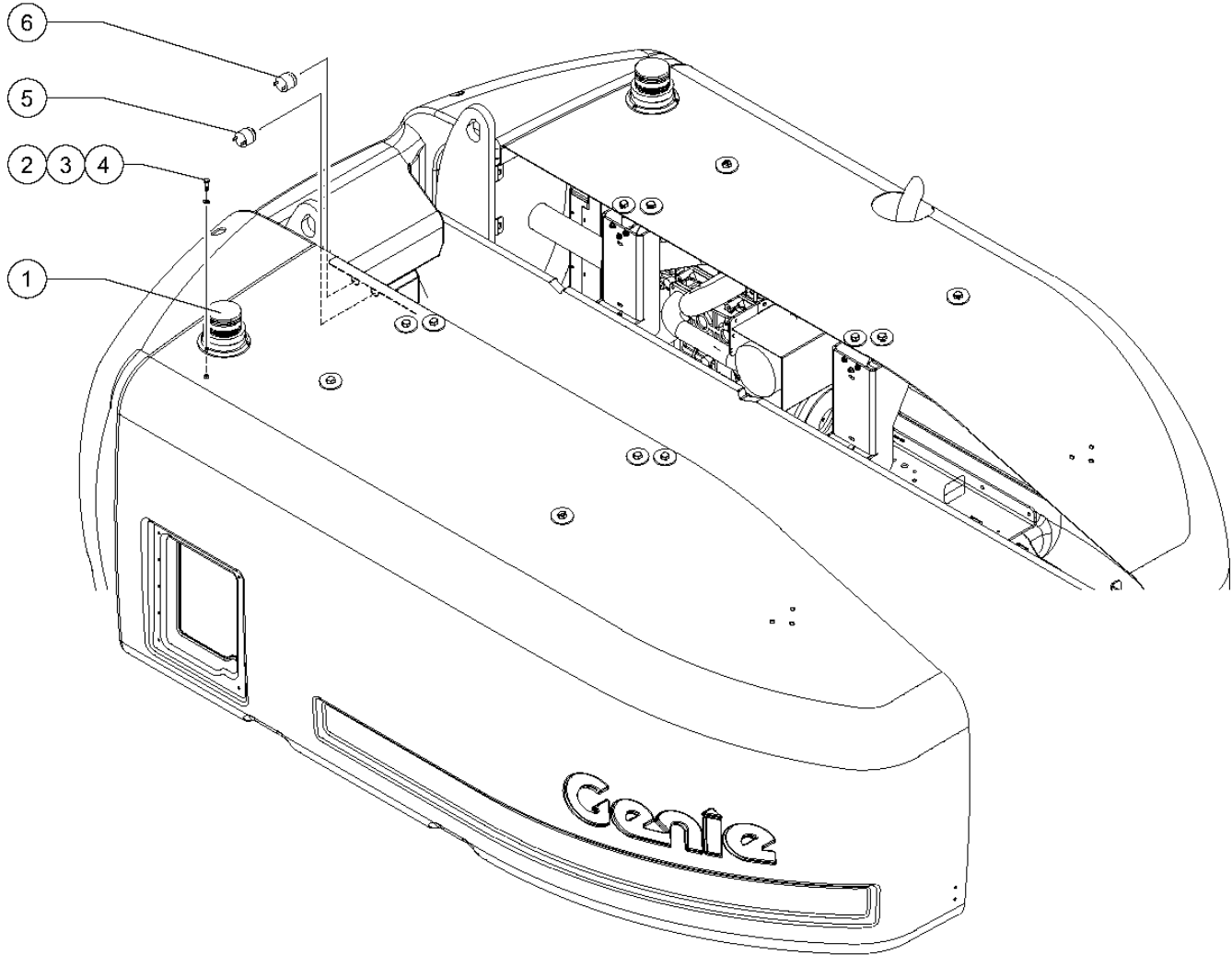
807.1 Hydraulic Oil Cooler Option

LEGEND	
	FITTING
	HOSE ASSEMBLY
	CONNECTOR



Item	Part No.	Description	Qty.
1	87172	PLUG,HEX SOCKET,090109B-12...1	
2	48984	CONN,520120-16.....2	
3	88949-3828	HOSE ASSY 1",STR FEM,STR FEM.....1	
4	48878	ELBOW,90D,520220-16-12.....1	
5	48960	FITTING,CONN,520120-12.....2	
6	49151-6248	HOSE ASSY,3/4,STR FEM,STR FEM.....1	
7	94205-3164	HOSE ASSY,3/4,45 FEM, STR MALE.....1	
8	101293	REDUCER,520123-16-12.....2	
9	42787	TEE,RUN,SWIVEL,520432-16.....1	
10	49150-2730	HOSE ASSY,3/4,90 FEM STR FEM**.....1	

901.1 Alarm and Beacon Package

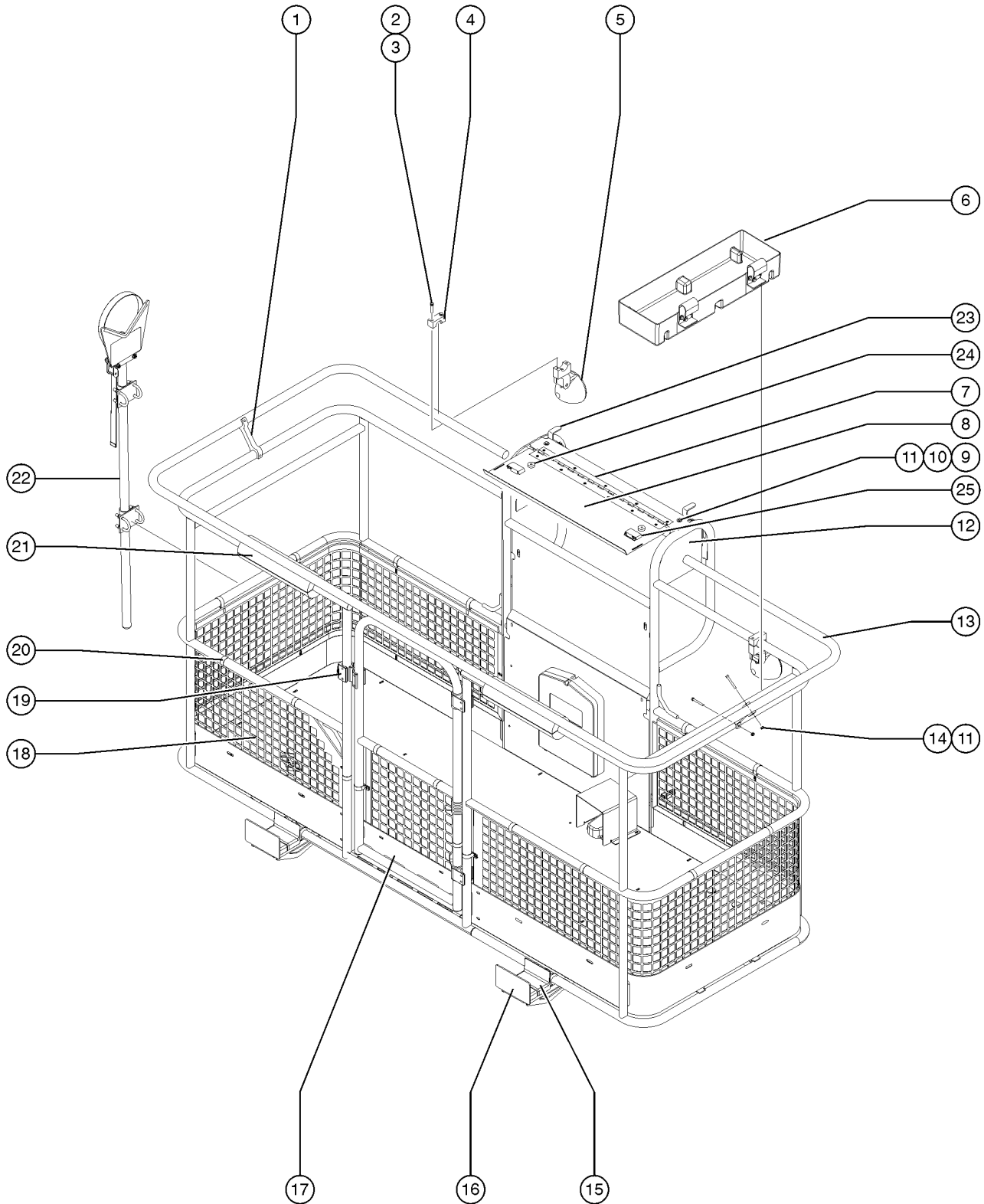


901.1 Alarm and Beacon Package

Item	Part No.	Description	Qty.
--	88829	STROBE,FIREBOLT,12-80VDC,AMB**	
1	56704	STROBE,FIREBOLT,12-80VDC,AMB** <i>(replaced 20189)</i>	2
--	122019	FLASHTUBE,U SHAPED,360DEG,BULB	
--	226393	FLASHTUBE,STRAIGHT,360DEG,BULB	
--	72282	LENS,AMBER,STROBE,FIREBOLT	
2	6147	SCREW,RHM,10-32 X 1	
3	6146	WASHER,FLAT,MS,#10,Y	
4	6178	NUT,NYLOCK,10-32	
5	230392	ALARM,DESCENT.....1 <i>to SN 15908; Does not include 72326 nut</i>	
5	72326	NUT - PLASTIC,RING FOR ALARMS	
6	18963	ALARM.INTERMITTENT TONE.24V.....1 <i>Does not include 72326 nut</i>	
6	72326	NUT - PLASTIC,RING FOR ALARMS	



902.1 Platform Accessories



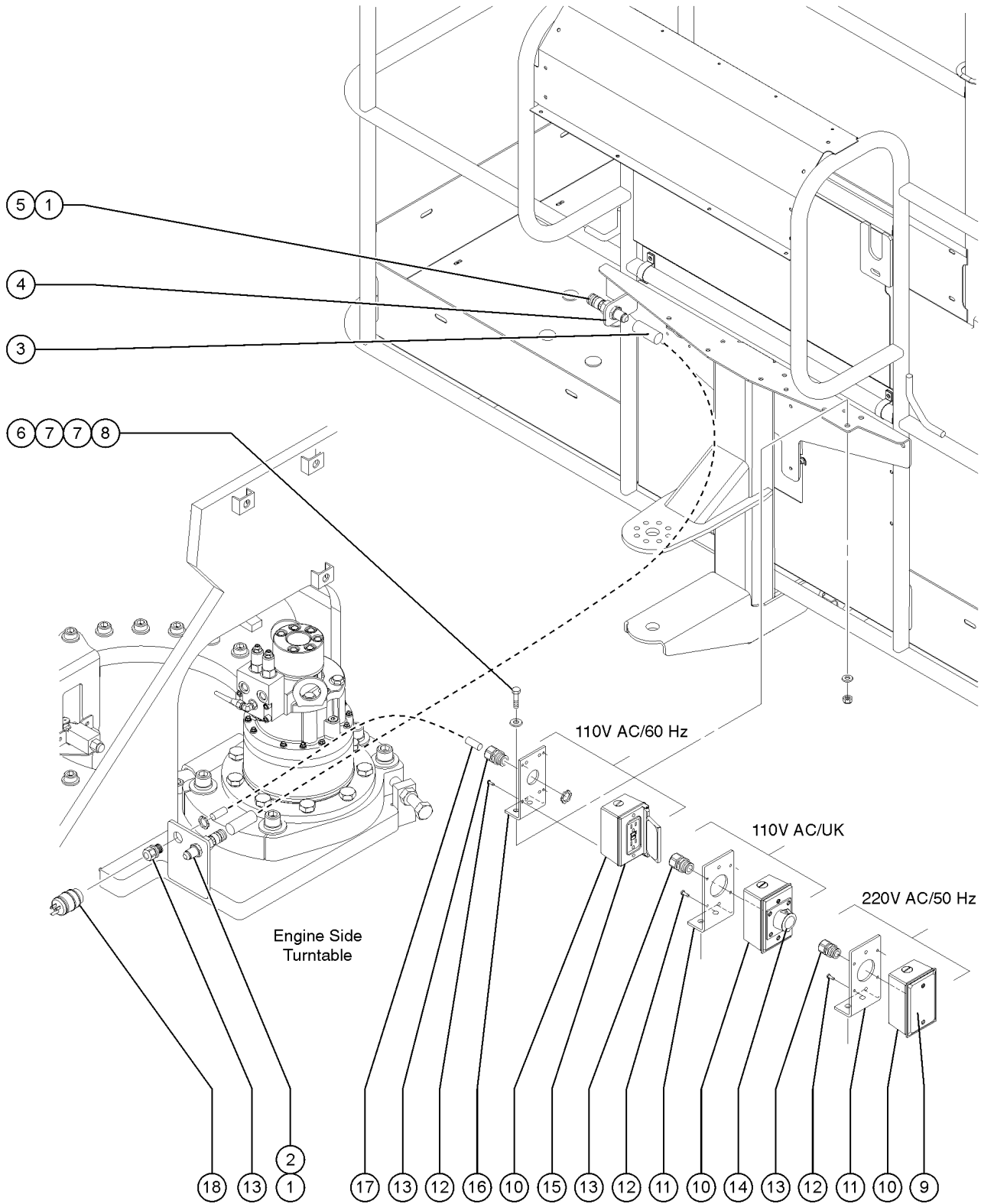


902.1 Platform Accessories

Item	Part No.	Description	Qty.	Item	Part No.	Description	Qty.
--	102854	OPTION,PLATFORM CONTROL COVER <i>includes items 7-12 and 23-25</i>		13	52661	PINCH GUARD RAIL,8' PLATFORM**.....	1
--	122278	AUX TOP RAIL,6',SWG GT, SRV		--	111485P	AUX TOP RAIL,6FT,PTD.....	2
--	122279	AUX TOP RAIL,8',SWG GT, SRV		--	111486P	AUX TOP RAIL,8FT,PTD.....	2
--	53807-S	AUX TOP RAIL,8'(1.25")SERVICE <i>includes items 1, 11 and 13-14</i>		--	31120	PLUG,NYLON 1.187 BLACK DOMED	
--	53808-S	AUX TOP RAIL,6'(1.25")SERVICE		14	4266	SCREW,HHC,1/4-20 X 2 <i>(to SN 17145)</i>	
--	56572	PIPE CRADLE,SET ** <i>includes item 22</i>		14B	122231	SCREW,BHSC,1/4-20 X 1 <i>(from SN 17146)</i>	
--	88828	WORKLIGHT,12 VOLT*** OPTION <i>includes items 2-5</i>		15		Ref., REST PAD <i>refer to 920.1</i>	
1A	139958	KIT, AUX TOP RAIL SUPPORT.....	10	16		Ref., BRACKET <i>refer to 920.1</i>	
1B	122073	SUPPORT, RAILING <i>(from SN 17146)</i>		17	128368	KIT,SWING GATE W/SPRING.....	1
2	6145	SCREW,HHC,1/4-20 X 1.5		17A	119950	KIT,FIELD INSTALL,SWING GATE <i>includes 128368, 1487, 1488, and 33674</i>	
3	6356	WASHER,LOCK,.25		--	1487	GATE LATCH CASTING--DRILLED	
4	35956	BRACKET,WORK LIGHT MOUNT 5/16".....	2	--	1488	RAILING CATCH CASTING--DRILLED	
5	107857	WORKLIGHT,12 VOLT***.....	2	--	33674	PIN,LOCK,SHORT***	
5	35960	BULB,WORKLIGHT,12V 35W		--	9596	HINGE CASTING	
6	9599-S	TOOL TRAY ACCESSORY***.....	1	18	73501	HALF MESH,8'PLATFORM,LH.....	1
--	7746P	TOOL TRAY BRACKET (GRAY) **.....	2	--	54457	MESH,HALF,SWING GATE***	
7	111526	HINGE,PLAT CONTROL BOX COVER.....	1	--	73500	HALF MESH,8'PLATFORM,RH***	
--	54486	RIVET,ALUM,ALUM,3/16BUTTONHEAD <i>(not included - sold seperately)</i>		19	1487	GATE LATCH CASTING--DRILLED.....	1
8	102785P	CONTROL BOX COVER,LID,PTD....	1	--	63311	SNAP PIN	
--	88606P	COVER,CONTROL BOX RIGHT SIDE**.....	1	20	56424	CLAMP,1.25X.5 RUBBER-CUSHION.....	14
		<i>(not included - sold seperately)</i>		21		Ref., FOAM PAD <i>refer to 920.1</i>	
--	88607P	COVER,CONTROL BOX LEFT SIDE***.....	1	22	85300	PIPE CRADLE ASSY. SERV (ONE)**.....	2
		<i>(not included - sold seperately)</i>		--	72875	DECAL,WARNING,PIPE CRADLE,BOOM	
9	6090	SCREW,HHC,1/4-20 X .75		23	102786P	FORMING,LATCH,CTRL BOX LID PTD	
10	6638	WASHER,FLAT,USS,1/4"Y		24	43392	BUMPER,BATTERY BOX & RAILS	
11	6889	NUT,LP NYLOCK,1/4-20		25	30468	LATCH,SLIDE, FLUSH MOUNT STYLE	
12	119797P	CONTROL BOX COVER,RT SIDE,PTD.....	1				
--	119796P	CONTROL BOX COVER,LFT SIDE,PTD					
13	1259704	PINCH GUARD RAIL,6' PLATFORM.....	1				
		<i>includes 55753 bumpers</i>					



903.1 Air Line and Power to Platform

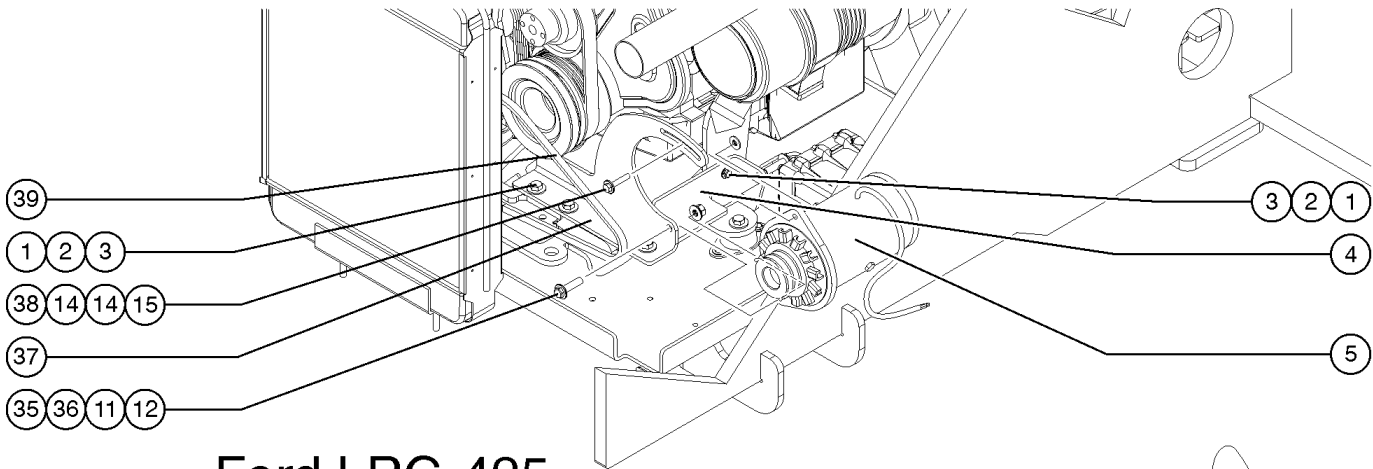


903.1 Air Line and Power to Platform

Item	Part No.	Description	Qty.	Item	Part No.	Description	Qty.
--	77766	OPT,AIRLINE TO PLATFORM,S60		--		FUSE,13 AMP,220V PLUG*** <i>(component no longer available) refer to BS1362 BUSS TDC180-13A</i>	
--	128033	OPT,AIRLINE TO PLATFORM,S65					
--	119845	CLAMP, HYD WELD, AIR, OPT.....1		--	119404	CONN,RECEP 120AC/15A DOMESTIC	
1	49212	FEMALE BULKHEAD CONNECTOR-8.....2		--	144161	PLUG,PWR,UK,16AMP,3PIN,BLK	
2	49214	MALE PIPE THD,1/4" SER,3/8"X18		--	25388	PLUG,FUSED,250V,13AMP,U.K.**	
3A	49177-102894	HOSE ASSEMBLY,1/2"*** .....1 S-60		--	6666	PLUG,ELECTRICAL,220/50,NOVON	
3B	49177-108894	HOSE ASSEMBLY,1/2"*** S-65					
4	60886	FORMING,AIR FIT/WELD STUDPLAT* .....1					
5	49215	MPT,CPLR,1/4"SER,3/8"X18					
6	6019	SCREW,HHC,3/8-16 X 1.25 GRD 5.....2					
7	5397	WASHER,FLAT,USS,5/16",Y.....4					
8	4828	NUT,NYLOCK,3/8-16.....2					
9	10777	COVER,BLANK.....1					
--	33724	KIT,GASKET,UK POWER TO PLAT.					
--	81458	GASKET, UK POWER TO PLAT					
10	10775	T-BOX,2.75 X 4.5 X 2.0.....1					
11	81570	BRACKET,POWER TO PLAT, UK.....1					
12	57075	SCREW,PHIL,8-32X.50,SELF TAP .....4					
12A	35461	WASHER,FLAT,MS,#8,Y.....4					
13	7056	CONN,SQUEEZE,1/2NPT .38-.50,SM.....2					
--	6935	LOCKNUT,ELEC,1/2"					
14	T112563	SVC KIT,UK RECEPT.REPLACEMENT.....1					
--	63375	SCREW,FHM,6-32 X .75.....2 <i>for T112561</i>					
--	74052	GASKET,COVER,GFCI,WEATHERPROOF					
--	T112560	RECEPTACLE,UK,110V					
--	T112561	PLATE,UK,POWER TO PLAT					
15	13585	OUTLET,110V GFCI*** .....1					
--	74006	COVER,GFCI,HORIZONTAL,WEATHER					
16	81096	BRACKET,POWER TO PLAT, DOM.....1					
17		REF: HARNESS,POWER TO PLAT <i>refer to section 307</i>					
18	119403	CONN,PLUG 120 AC/15A DOMESTIC.....1					

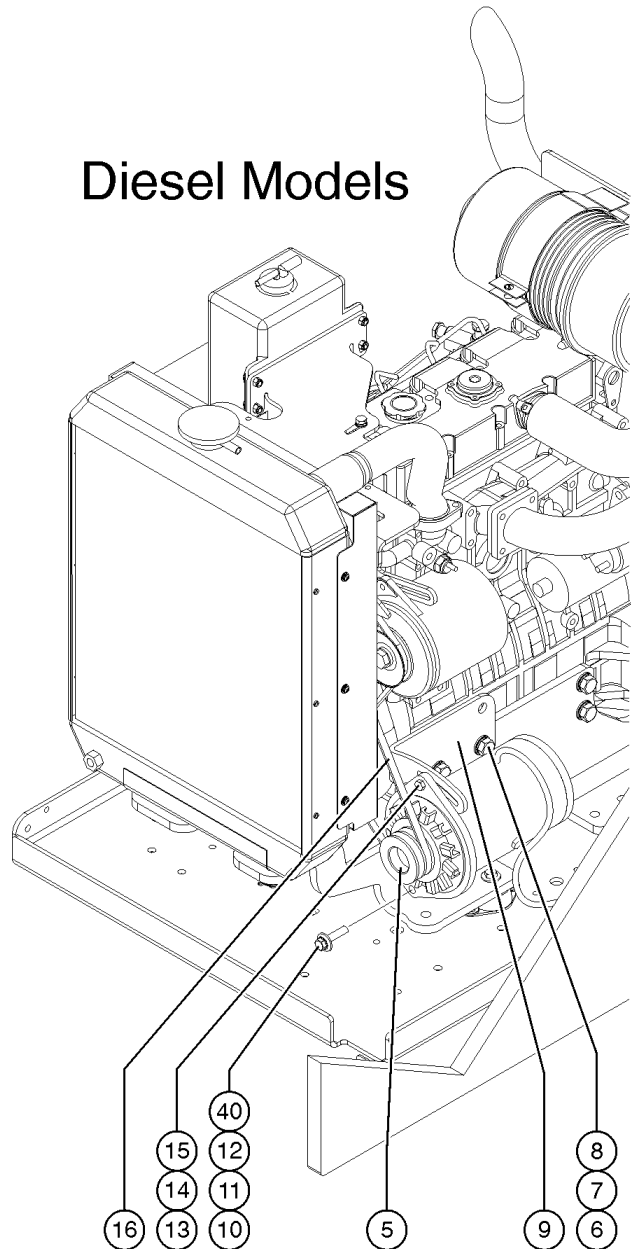
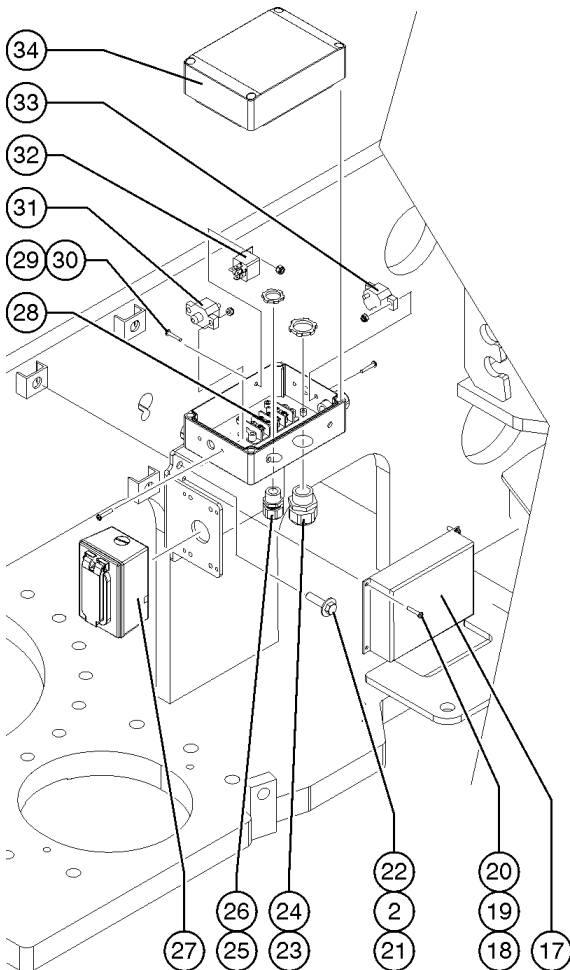


904.1 Belt Driven Generator Option



Ford LRG-425

Diesel Models

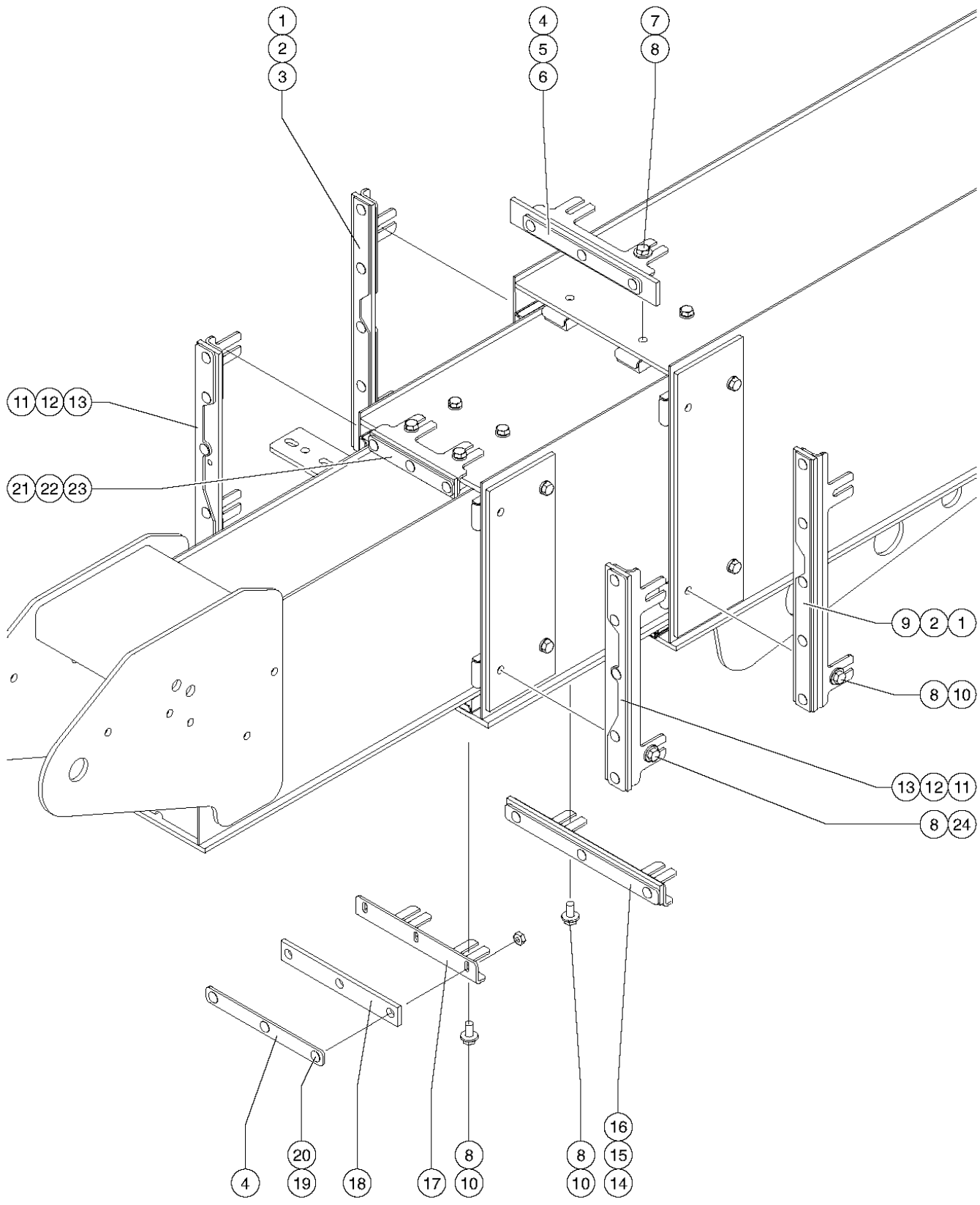


904.1 Belt Driven Generator Option

Item	Part No.	Description	Qty.	Item	Part No.	Description	Qty.
1	8516	SCREW,HHC,3/8-16 X 1.50,GR5		27	10775	T-BOX,2.75 X 4.5 X 2.0.....1	
2	6097	WASHER,FLAT,USS,3/8",Y		--	10777	COVER,BLANK	
3	4828	NUT,NYLOCK,3/8-16		--	13585	OUTLET,110V GFCI*** <i>North American models</i>	
4	70399	FORMING,GENERATOR MOUNT...1 <i>Ford models</i>		--	33724	KIT,GASKET,UK POWER TO PLAT.	
5A	60707	GENERATOR,3500W,120V,60HZ**..1		--	45437	COVER,GFCI,WEATHERPROOF	
--	146062	PULLY,GNRTR,120V,60HZ(60707) <i>for 60707 generator</i>		28	69776	TERMINAL,STRIP,4-POLE,600V***.1	
5B	89908	GENERATOR,3000W,220V,50HZ***		29	54380	SCREW,PHILLIPS,PHM,8-32 X .875	
--	102681	PULLY, GNRTR,220V,50HZ(89908) <i>for 89908 generator</i>		30	18605	NUT,NYLOCK,8-32	
6	54687	SCREW,HHC,M14 X 1.5X40MM,GR8.8		31	60887	CIRCUIT BREAKER, 30 AMP.....1	
7	37505	WASHER,LOCK,M14		32	19274	RELAY,SPDT,12V(AUTO)**.....1	
8	49411	WASHER,FLAT,M14		33	61211	CIRCUIT BREAKER,15 AMP.....1	
9	119533	FORMING,GENERATOR MOUNT*** .....1 <i>Diesel models</i>		34	8425	ENCLOSURE,FG ELEC.,STOCK,7X5X4.....1	
10	81852	SCREW,HHC,7/16-14 X 1.75		35	81852	SCREW,HHC,7/16-14 X 1.75	
11	20912	WASHER,LOCK,.437,PLTD.		36	11209	WASHER,FLAT,USS,7/16",Y	
12	6083	NUT,HEX,7/16-14		37	70398	FORMING,GENERATOR MOUNT...1	
13	60790	BOLT,CARRIAGE,3/8-16 X1.50,G5		38	14723	SCREW,HHC,5/16-18 X 1.75	
14	5397	WASHER,FLAT,USS,5/16",Y		39	94600	BELT, (NAPA 9360).....1 <i>Ford models</i>	
15	4828	NUT,NYLOCK,3/8-16		40	45400	SPACER TUBE,.50 LG	
16A	70397	BELT,AX34*** .....1 <i>Deutz models (to SN 10514)</i>					
16B	106535	BELT,AX33*** <i>Deutz models (from SN 10515)</i>					
16C	61113	BELT,AX35 <i>Perkins models</i>					
17	60738	VOLTAGE REGULATOR,110V.....1					
--	60739	VOLTAGE REGULATOR,220V					
18	49826	SCREW,PHILLIPS,PHM,10-32 X.625					
19	6146	WASHER,FLAT,MS,#10,Y					
20	6178	NUT,NYLOCK,10-32					
21	29868	SPRING CLIP,3/8-16					
22	8516	SCREW,HHC,3/8-16 X 1.50,GR5					
23	12960	CABLE SQUEEZE CONN.,XTRA LRG.....1					
24	14041	LOCKNUT,ELECTRIC,3/4" .....1					
25	7056	CONN,SQUEEZE,1/2NPT .38-.50,SM.....2					
26	6935	LOCKNUT,ELEC,1/2".....2					



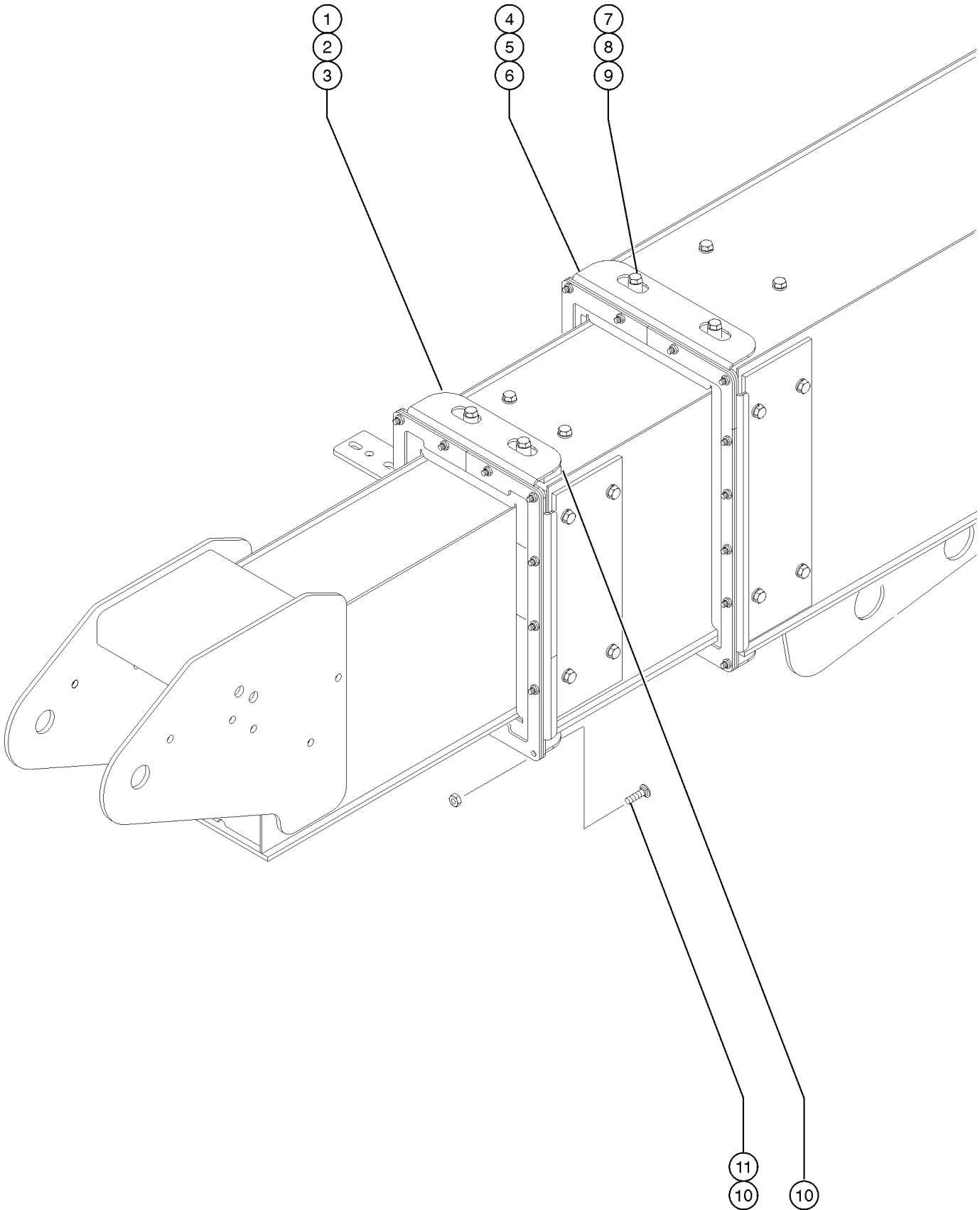
905.1 Hostile Environment Package, Boom Wipers (to SN 15854)



## 905.1 Hostile Environment Package, Boom Wipers (to SN 15854)

Item	Part No.	Description	Qty.
1	63170	BACKING PLATE.....	2
2	63144	WIPER.....	2
3	63143	WIPER BRACKET.....	1
4	70324	BACKING PLATE,#1 TOP.....	1
5	63136	WIPER.....	1
6	70322	WIPER BRACKET,#1 TOP.....	1
7	6019	SCREW,HHC,3/8-16 X 1.25 GRD 5	
8	5397	WASHER,FLAT,USS,5/16",Y	
9	63180	WIPER BRACKET.....	1
10	8516	SCREW,HHC,3/8-16 X 1.50,GR5	
11	63167	BACKING PLATE.....	2
12	63138	WIPER.....	2
13	63176	WIPER BRACKET.....	2
14	70325	BACKING PLATE,#1 BOTTOM.....	1
15	70327	WIPER,#1 BOTTOM.....	1
16	70323	WIPER BRACKET,#1 BOTTOM.....	1
17	70329	WIPER BRACKET,#2 BOTTOM.....	1
18	70326	WIPER,#1 TOP.....	1
19	6878	BOLT,CARRIAGE,1/4-20 X .75,G2	
20	6889	NUT,LP NYLOCK,1/4-20	
21	70330	BACKING PLATE,#2 TOP.....	1
22	70331	WIPER,#2 TOP.....	1
23	70328	WIPER BRACKET,#2 TOP.....	1
24	107666	SCREW,BHHS,3/8-16 X 1.5	

905.2 Hostile Environment Package, Boom Wipers (from SN 15855)

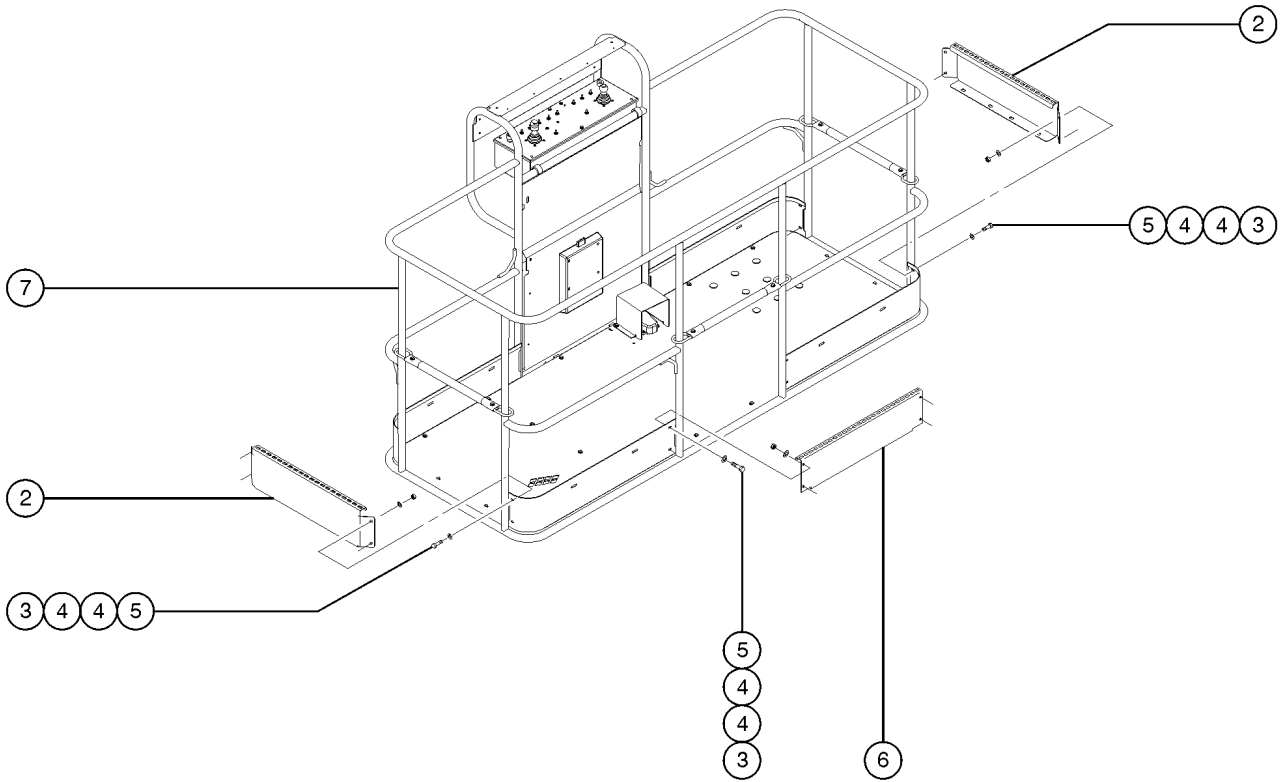
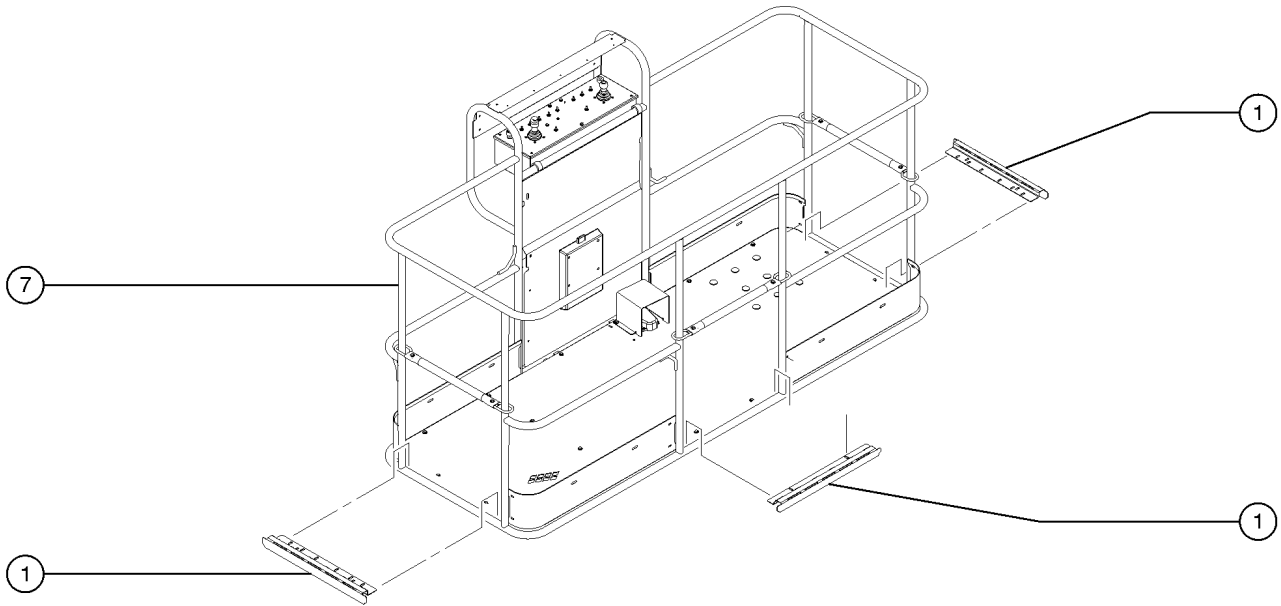




## 905.2 Hostile Environment Package, Boom Wipers (from SN 15855)

Item	Part No.	Description	Qty.
1	119087	FORMING BRKT, WIPER 2 TO 3....2	
2	119089	WIPER RUBBER, 2 TO 3.....1	
3	119088	PLATE BACKING, WIPER 2 TO 3....2	
4	119084	FORMING BRKT, WIPER 1 TO 2....2	
5	119086	WIPER RUBBER, 1 TO 2.....1	
6	119085	PLATE BACKING, WIPER 1 TO 2....2	
7	5224	SCREW,HHC,3/8-16 X 2.....8	
8	101932	TUBE,RD,STL,DOM, .75X.38X.78....8	
9	119090	SPACER, BOOM TOP.....2	
10	6878	BOLT,CARRIAGE,1/4-20 X .75,G2	
11	6889	NUT,LP NYLOCK,1/4-20	

906.1 Tri-Entry Platform Option

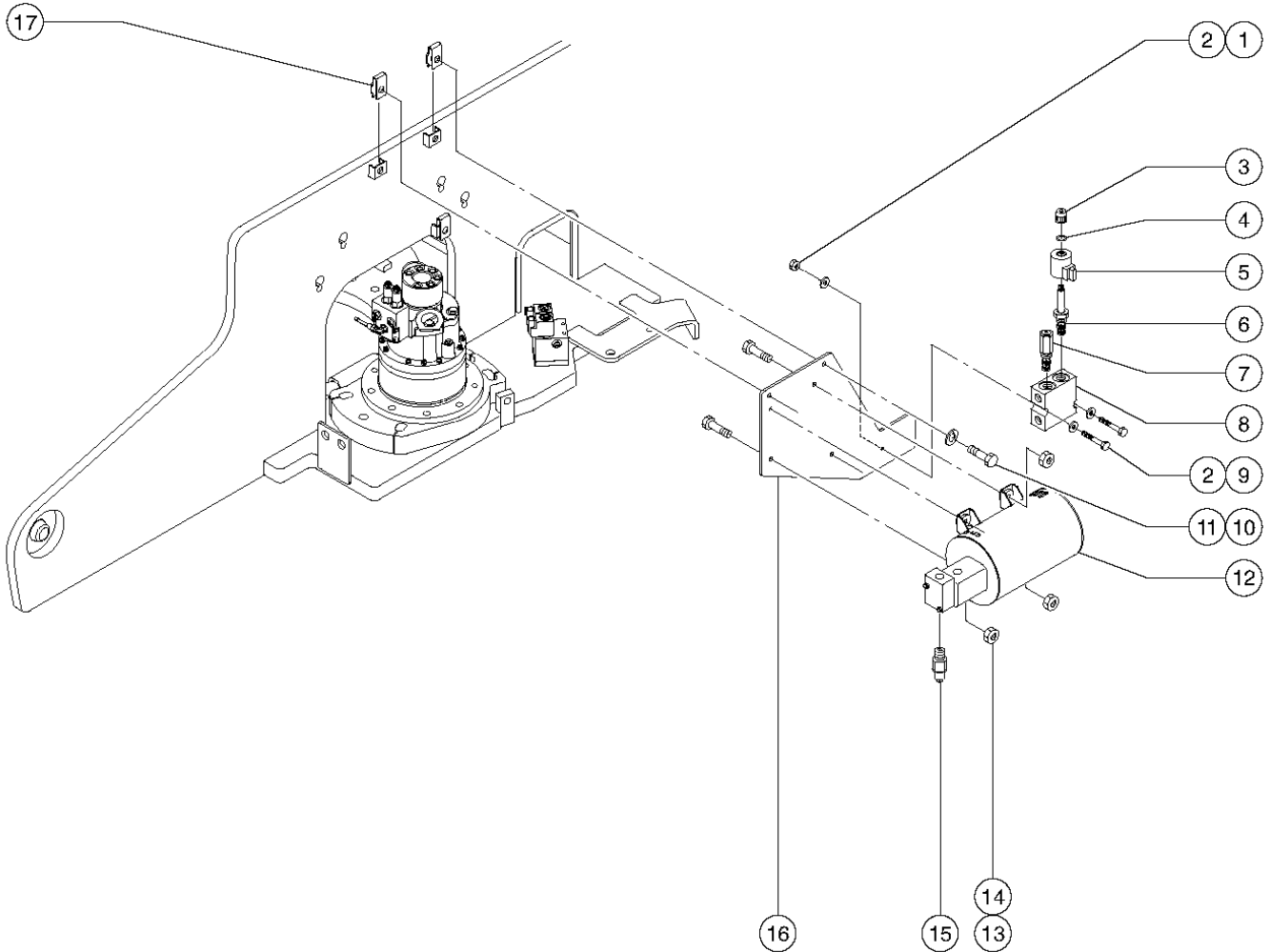


906.1 Tri-Entry Platform Option

Item	Part No.	Description	Qty.
--	107696	PLAT.ASSY,6FT TRI ENTRY ANSI	
--	107697	PLAT.ASSY,8 TRI ENTRY ANSI	
--	107699	PLAT ASSY, 3 ENTRY 8' CE/UK/UK	
--	107700	PLAT ASSY,3 ENTRY 6',AUSTRALIA	
--	107701	PLAT ASSY,3 ENTRY 8',AUSTRALIA	
--	107702	PLAT ASSY,3 ENTRY 6'ASIA/SO.AM	
--	107703	PLAT ASSY,3 ENTRY 8'ASIA/SO.AM	
1	73610P-S	STEP PLATFORM ENTRY PAINTED.....	3
2	139438	TOEBOARD, TRI ENTRY 6', EURO.....	2
3	6090	SCREW,HHC,1/4-20 X .75	
4	6638	WASHER,FLAT,USS,1/4"Y	
5	6889	NUT,LP NYLOCK,1/4-20	
6	94745P	TOEBOARD,ENTRY EUROPEAN PNTD** .....	1
7	107704	6' TRI-ENT RAIL W/DECALS ANSI..... <i>USA/Canada</i>	1
--	107705	8' TRI-ENT RAIL W/DECALS ANSI <i>USA/Canada</i>	
--	107706	8' TRI-ENT RAIL W/DECALS CE/UK <i>CE</i>	
--	107707	6' TRI-ENT RAIL W/DECALS AUSTR <i>Australia</i>	
--	107708	8' TRI-ENT RAIL W/DECALS AUSTR <i>Australia</i>	
--	107709	6' TRI-ENT RAIL W/DECALS A/SOA <i>Asia/South America</i>	
--	107710	8' TRI-ENT RAIL W/DECALS A/SOA <i>Asia/South America</i>	



907.1 Hydraulic Generator Option

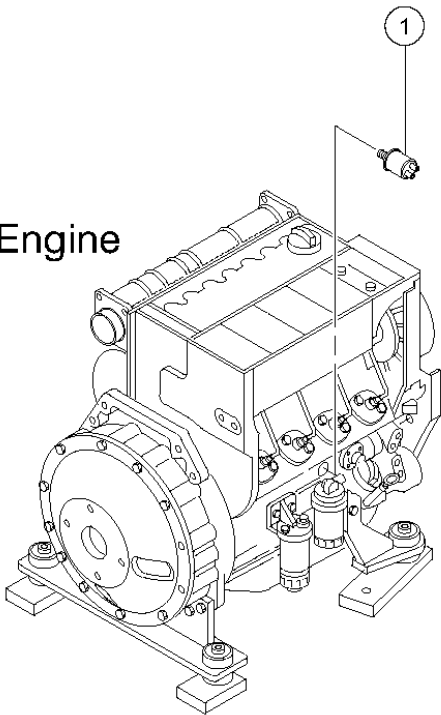


## 907.1 Hydraulic Generator Option

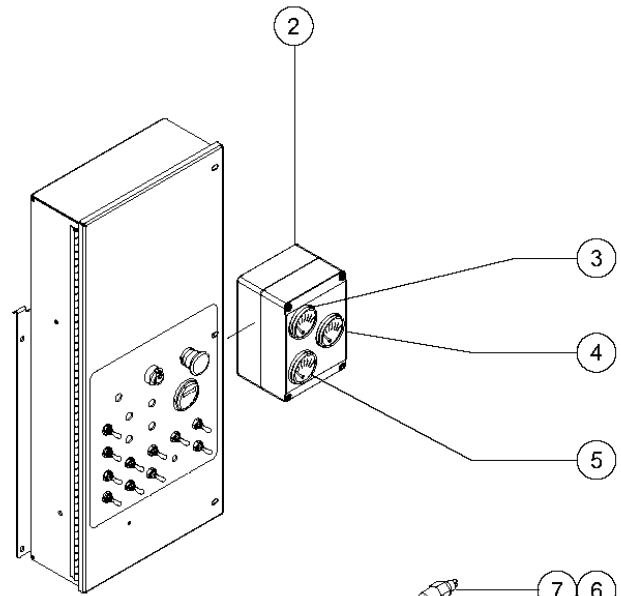
Item	Part No.	Description	Qty.
1	6091	NUT,NYLOCK,1/4-20	
2	6638	WASHER,FLAT,USS,1/4"Y	
3	33568	NUT, CP521-1 VALVE.....	1
4	45914	O-RING, DO1 VALVE.....	1
5	27535	COIL,12V.DO1 VALVE.....	1
--	45782	DIODE,6 AMP,200 PIV,BULK	
6	19969	VALVE,SOLENOID (18660).....	1
		<i>includes items 3 through 5</i>	
7	44950	VALVE,RELIEF,1500 PSI*** .....	1
8	53976	MANIFOLD,GENERATOR.....	1
		<i>includes items 3 through 7</i>	
9	8179	SCREW,HHC,1/4-20 X 2.25	
10	6175	SCREW,HHC,3/8-16 X 1	
11	6021	WASHER,LOCK,.375	
12A	111381	GEN,HYD,3000W,110V,60HZ.....	1
--	147836	SEAL, GASKET, .00075" *GOLD*	
--	147837	SEAL, GASKET, .0005" *SILVER*	
--	147838	SEAL, GASKET, .0010"	
--	147839	ASSM, GEN. ONLY, 110V, 60HZ	
--	58944	BRUSH 3/8 X 1/4 X 15/16(36928)	
--	58954	O-RING,SPACER #115***	
--	T111608	SEAL,RETAINING RING	
--	T111609	SEAL,SHAFT	
--	T111610	SPACER	
--	T111611	BEARING,MOTOR	
--	T111612	RETAINING RING	
--	T111613	SHAFT,MOTOR	
--	58944	BRUSH 3/8 X 1/4 X 15/16(36928)	
--	94748	GENERATOR,2500W,HYD 220/50HZ.....	1
13	4828	NUT,NYLOCK,3/8-16	
14	8516	SCREW,HHC,3/8-16 X 1.50,GR5	
15	65841	PRIORITY FLOW CONTROL VALVE.....	1
16	77684P	PLATE,GENERATOR MOUNT.....	1
17	29868	SPRING CLIP,3/8-16	

908.1 Gauge Option

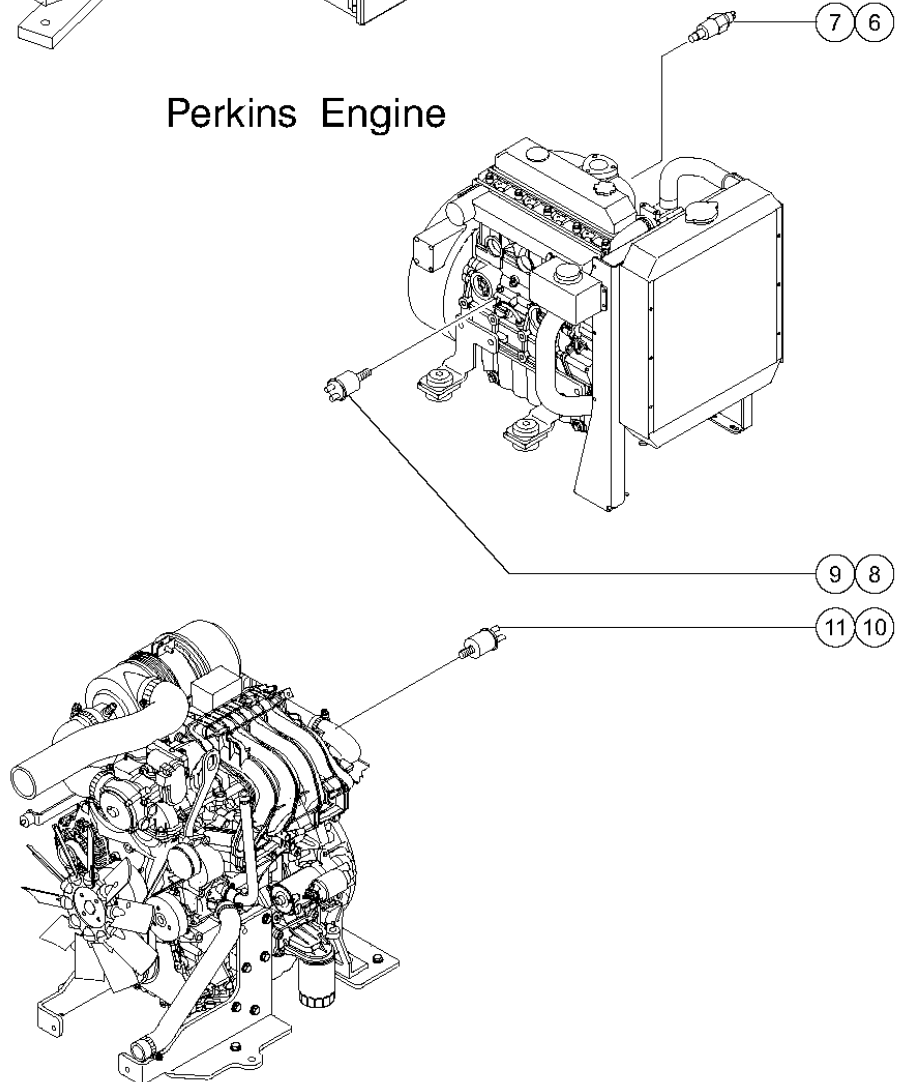
Deutz Engine



Perkins Engine

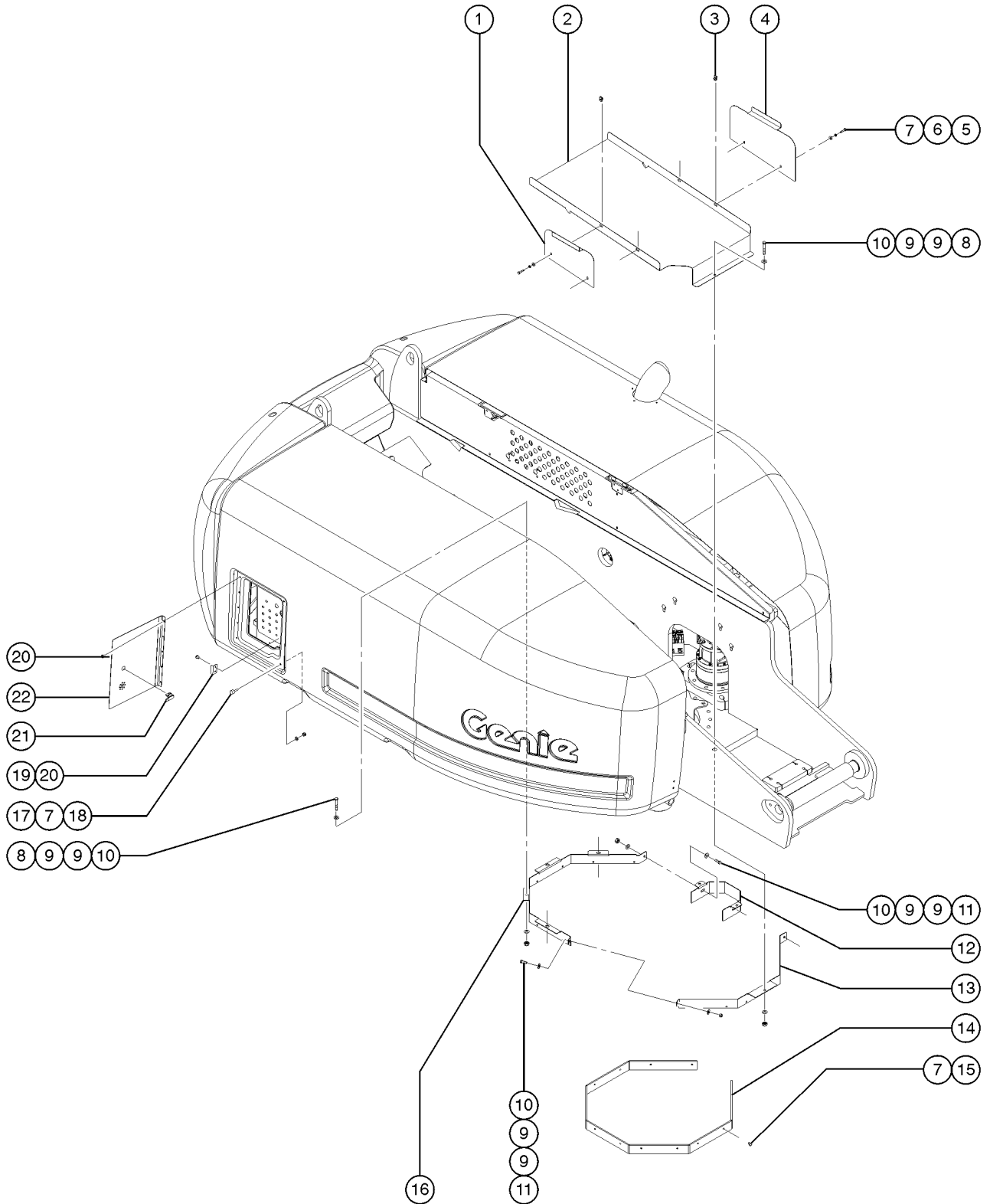


Ford Engine



Item	Part No.	Description	Qty.
1	106033	ADAPTER,NPT 6-4	
2	101232	ENCLOSURE BOX,GAUGE OPT,DRILLD.....	1
--	101227P	FORMING,GAUGE OPTION BRKT PNTD.....	1
3	53761-S	GAUGE,VOLTAGE.....	1
4	53758-S	GAUGE,OIL PRESSURE W/O SENDER.....	1
5	53759-S	GAUGE,WATER TEMP..... <i>Perkins and Ford models only</i>	1
6	34058	SENDING UNIT,TMP,FRD,GM,PRK704.....	1
7	28607	ADAPTER,140139-8-6.....	1
8	30810	SENDING UNIT,OIL PRESSURE*** ..... <i>dual-terminal sender</i>	1
9	71038	ADAPTER, 1/8 X 1/4 F3H6-S.....	1
10	119418	ADAPTER,140130-4-4.....	1
11	119417	TEE,RUN,1/4" PIPE.....	1

909.1 Hostile Environment Package, Turntable Components

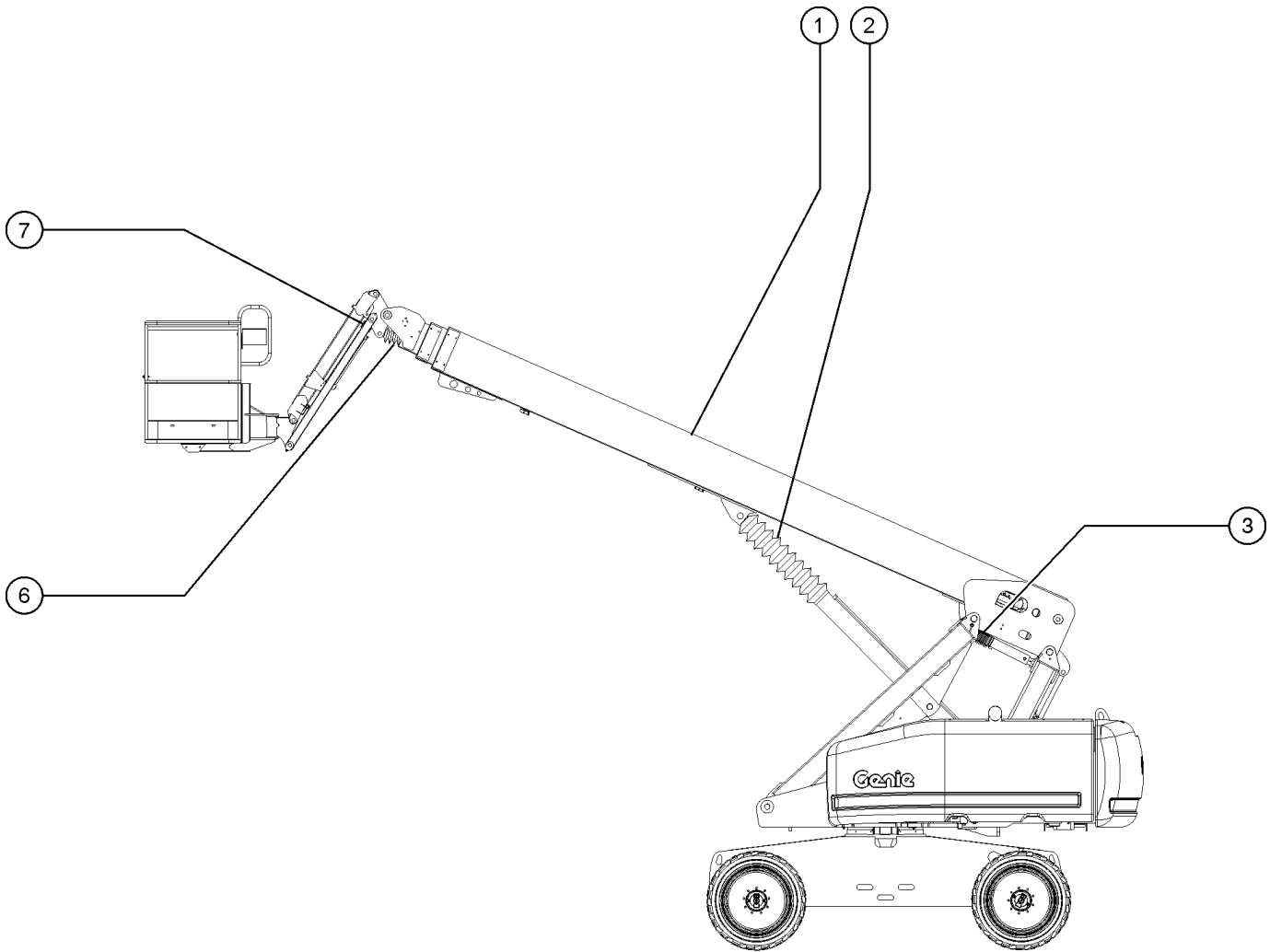




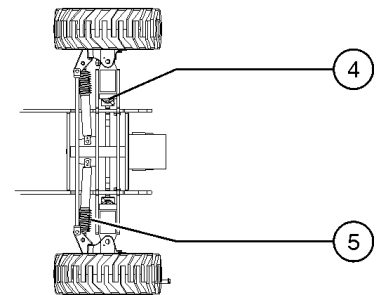
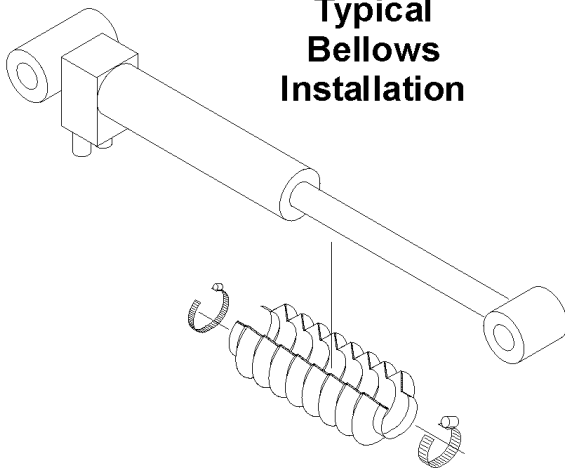
## 909.1 Hostile Environment Package, Turntable Components

Item	Part No.	Description	Qty.
1	77997P	FORMING,TT LH SIDE COVER PAINT.....	1
2	77996P	TURNTABLE CENTER COVER PAINTED.....	1
3	56912	SPRING CLIP,1/4-20,.025-.15X.5.....	4
4	77998P	FORMING,TT RH SIDE COVER PAINT.....	1
5	8915	SCREW,HHC,1/4-20 X 1.25	
6	6356	WASHER,LOCK,.25	
7	6638	WASHER,FLAT,USS,1/4"Y	
8	8178	SCREW,HHC,3/8-16 X 2.5	
9	6097	WASHER,FLAT,USS,3/8",Y	
10	4828	NUT,NYLOCK,3/8-16	
11	6175	SCREW,HHC,3/8-16 X 1	
12	77879P	FORMING,PINION GUARD PAINTED.....	1
13	70318P	FORMING,WIPER GUARD RT..... <i>models with Deluxe Hostile Option</i>	1
14	70319	WIPER,RING GEAR GUARD..... <i>models with Deluxe Hostile Option</i>	1
15	81167	RIVET,ALUM,P,.25X.625.....	14
16	70317P	FORMING,WIPER GUARD LT..... <i>models with Deluxe Hostile Option</i>	1
17	36388	BUMPER,RUBBER,.75 X .50H,STUD.....	2
18	6889	NUT,LP NYLOCK,1/4-20	
19	63772	CATCH,GRND.CTRL.BOX COVER.....	1
20	53189	RIVET,ALUM,ALUM,P,.25X.375.....	7
21	63773	LATCH,GRND.CTRL.BOX COVER.....	1
22	63771P	COVER,GRND.CTRL.BOX,PAINTED.	1

910.1 Hostile Environment Package, Cylinder Bellows and Cable Track Protection



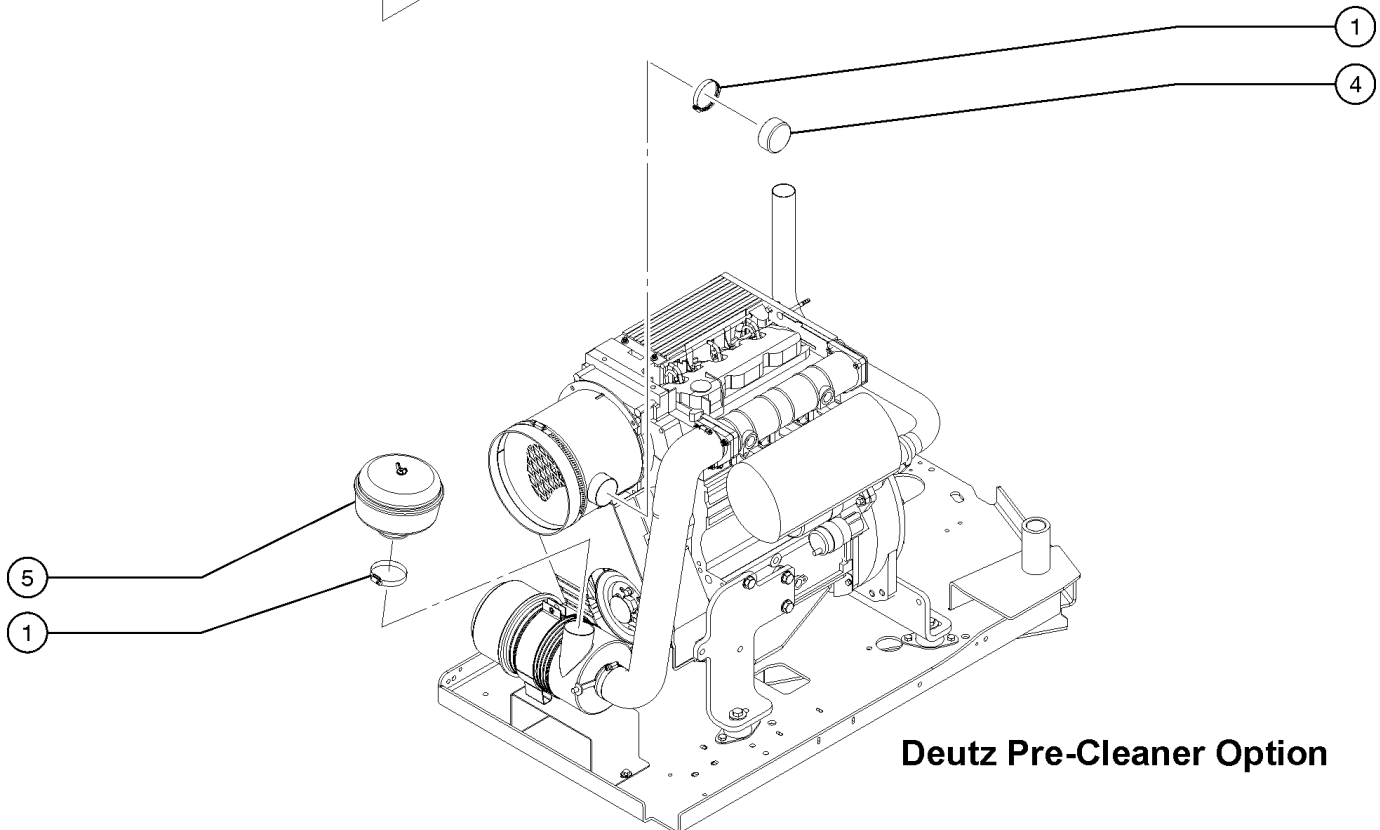
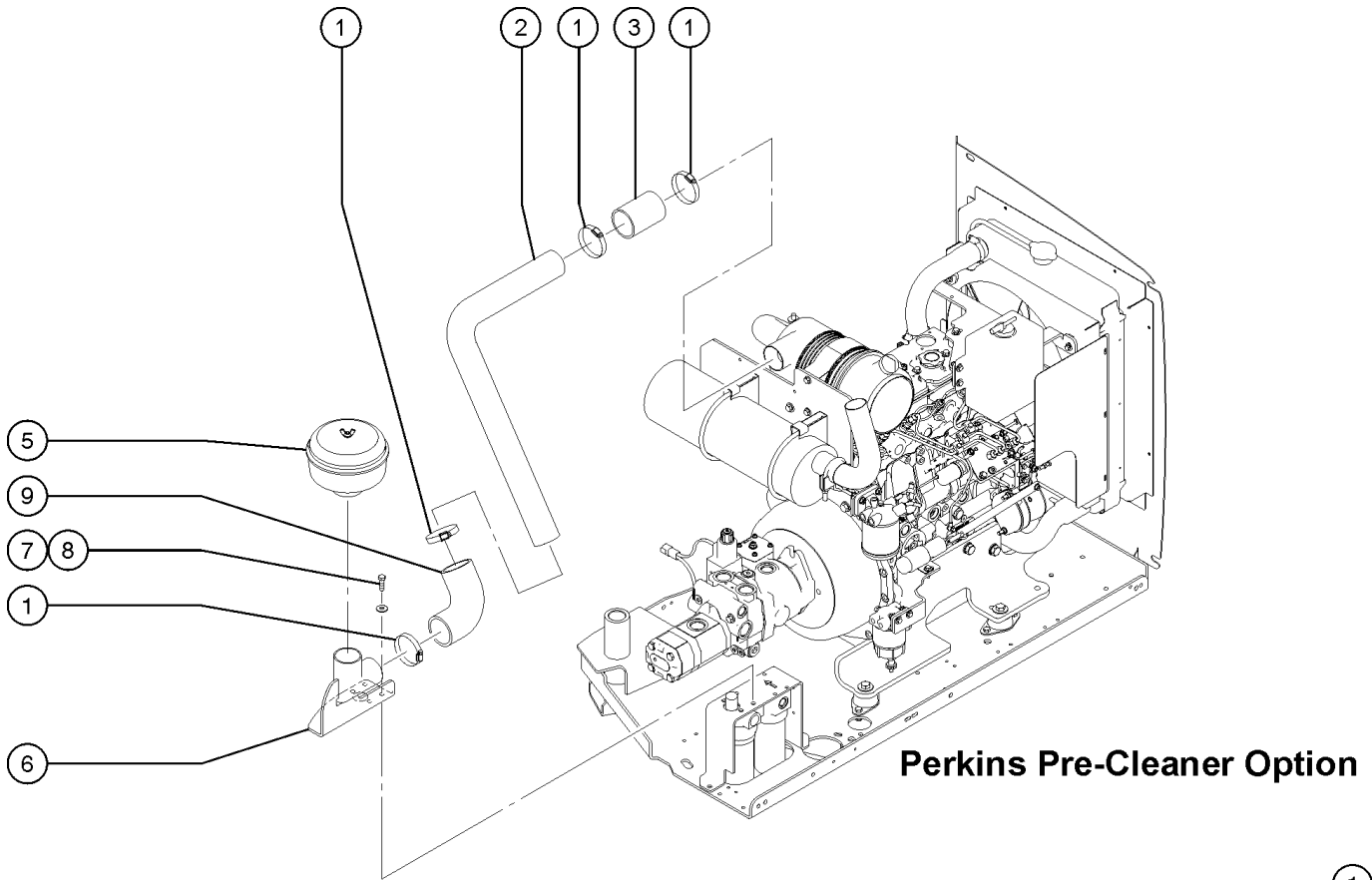
Typical Bellows Installation



910.1 Hostile Environment Package, Cylinder Bellows and Cable Track Protection

Item	Part No.	Description	Qty.
1	106099	COVER,CABLE TRACK.....1 <i>(not shown) models with Deluxe Hostile Option</i>	1
2	94479	BELLOWS,CYLINDER LIFT.....1	1
--	34955	CLAMP,HOSE,5.00	
--	35432	CLAMP,HOSE,6.50	
3	94463	BELLOWS,MASTER CYLINDER.....1	1
--	22672	CLAMP,HOSE,1.75	
--	34955	CLAMP,HOSE,5.00	
4	63727	COVER, PROTECTIVE, OSCILLATE.....2 <i>Oscillate Only</i>	2
--	22672	CLAMP,HOSE,1.75 <i>Oscillate Only</i>	
--	34955	CLAMP,HOSE,5.00 <i>Oscillate Only</i>	
5	34922	COVER,PROTECTIVE,STEERING..2	
--	22672	CLAMP,HOSE,1.75	
--	34955	CLAMP,HOSE,5.00	
6	94537	BELLOWS,CYLINDER,PLAT LEVEL.....1	1
--	22672	CLAMP,HOSE,1.75	
--	23405	NUTSERT,10-32 STEEL CAD PLTD	
--	49824	SCREW,PHILLIPS,FHM,10-32X1.00	
--	6146	WASHER,FLAT,MS,#10,Y	
--	94533	PLATE,BACKING BELLOWS	
7	34505	COVER,PROTECTIVE,JIB CYLINDER.....1 <i>S-65 Only</i>	1
--	30971	CLAMP,HOSE,3.00" <i>S-65 Only</i>	
--	36208	CLAMP,HOSE,1.25*** <i>S-65 Only</i>	

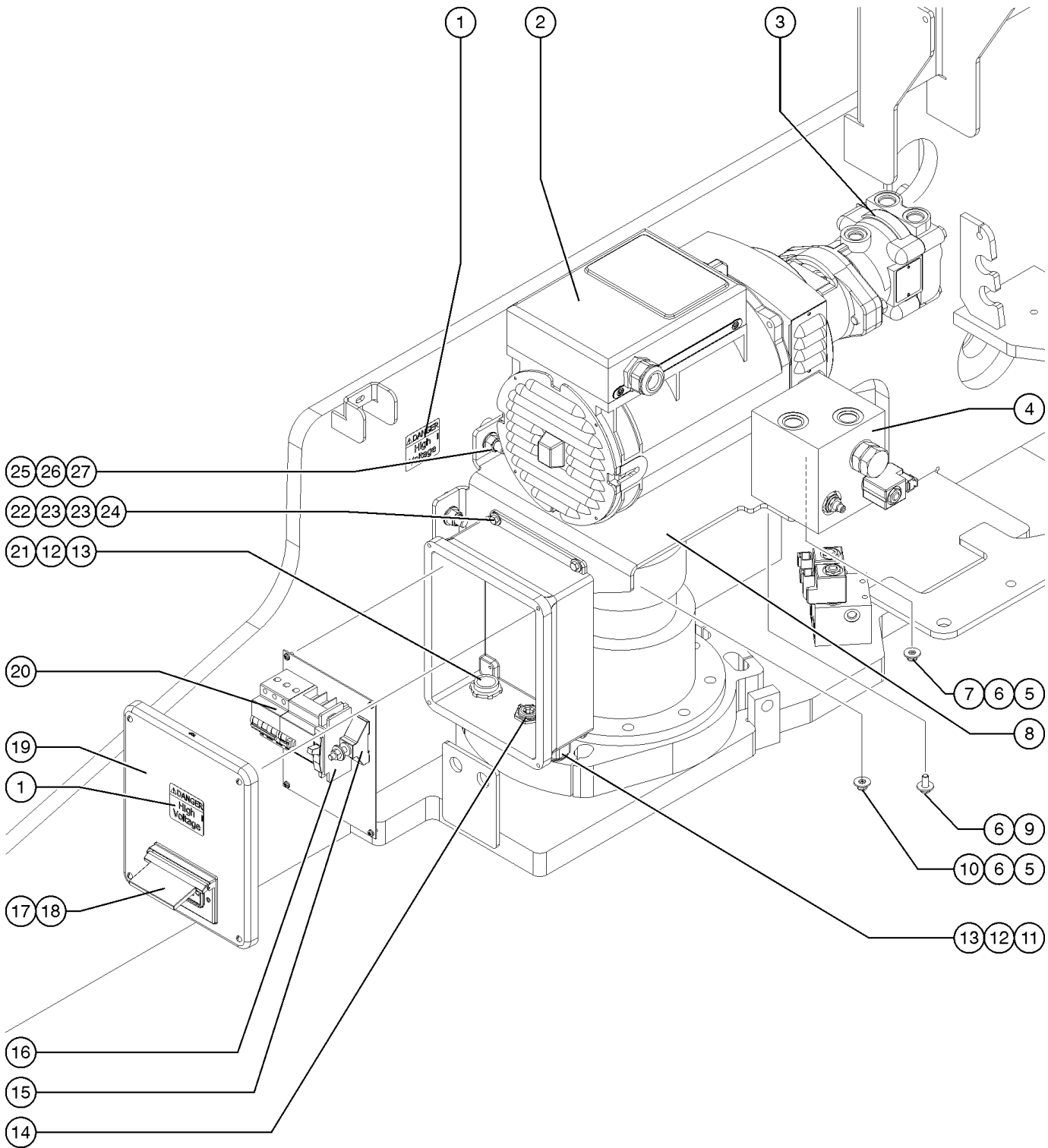
911.1 Hostile Environment Package, Engine Air Pre-Cleaners



911.1 Hostile Environment Package, Engine Air Pre-Cleaners

Item	Part No.	Description	Qty.
--	70358	ACC,AIR PRE-CLEANER,DEUTZ T2	
--	77900	ACC,AIR PRE-CLEANER,PERKINS T2	
1	45435	CLAMP,HOSE,2.50"*** .....4 <i>Perkins Models</i>	
--	45435	CLAMP,HOSE,2.50"*** .....2 <i>Deutz Models</i>	
2	77891	TUBE,AIR INTAKE.....1	
3	34162-0400	HOSE,AIR INTAKE 2.5" I.D.....1	
4	70529	CAP,PLASTIC,2.5 ID.....1	
5	34959	PRECLEANER,AIR INTAKE*** .....1	
6	77887	WELDMENT,PRECLEANER BRACKET .....1	
7	6019	SCREW,HHC,3/8-16 X 1.25 GRD 5	
8	6097	WASHER,FLAT,USS,3/8",Y	
9	34164	ELBOW,90 DEGR,RUBBER,2.5"I.D.* .....1	

912.1 Welder Option - Chassis components

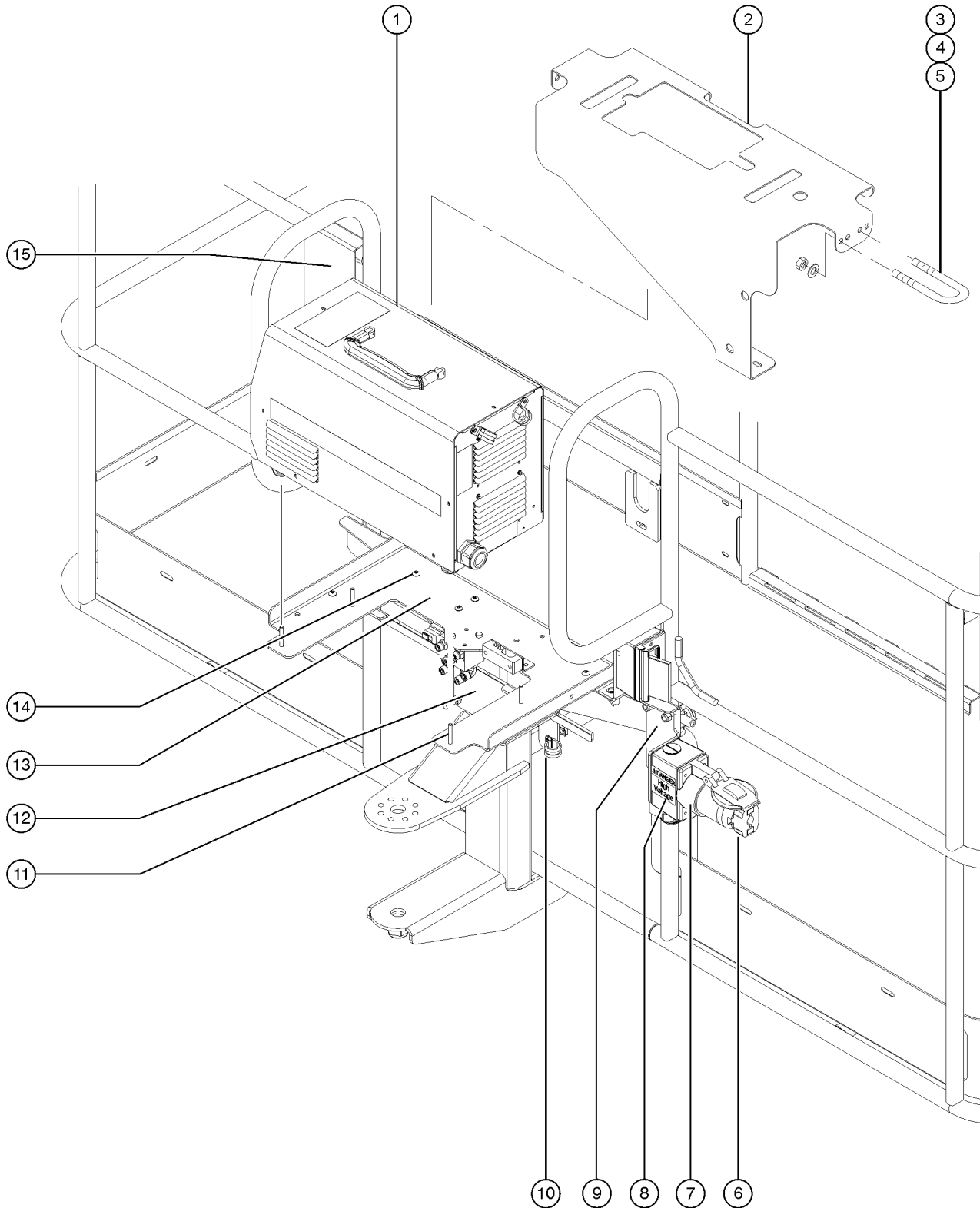


912.1 Welder Option - Chassis components

Item	Part No.	Description	Qty.	Item	Part No.	Description	Qty.
--	106203	CLAMP, LINK, WELD CABLE/HOSE.....	1	--	94760	VALVE-SOLENOID, 10V, W/OUT COIL*	
--	119846	CLAMP, WELD LEADS, AIR, OPT...	1	5	6037	NUT, HEX, 5/16-18, GR5	
--	128050	CLAMP, HYD, WELD, AIR, OPT.....	1	6	5397	WASHER, FLAT, USS, 5/16", Y	
--	147491	KIT, HD WELDER UPGRADE, S60 <i>for sn 9154 to 20456</i>		7	13000	SCREW, HHC, 5/16-18 X 1.25	
1	82237	DECAL, DANGER, HIGH VOLTAGE.....	2	8	106114	BRACKET, GENERATOR 12.5 KW, PNTD*.....	1
2	139367	GENERATOR, HYDRA, 25CC, 208V*** <i>Harrison Generator; includes item 3; Consult Factory prior to ordering</i>	1	9	10107	SCREW, HHC, 5/16-18 X .75	
--	106113	GENERATOR, HYDRO-12KEP-21-3*** <i>Fabco Generator; includes item 2; Consult Factory prior to ordering</i>		10	13002	SCREW, HHC, 5/16-18 X 1 GR5	
--	139919	FITTING, ORIFICE, .047 <i>for 139367</i>		11	20776	CABLE SQUEEZE CONN.....	1
--	58631	COUPLER, INSERT <i>for 139367</i>		12	18665	LOCKNUT, ELECTRIC, 1" NPT.....	2
--	T113655	COUPLING, 28MM (106113) <i>for 106113</i>		13	106104	O-RING, SEAL RING, 1" NPT.....	1
--	T114022	SPIDER (106113) <i>for 106113</i>		14	106495	PLUG, 1/2" HUBBLE.....	1
--	T114023	COUPLING (106113) <i>for 106113</i>		15	106108	TERMINAL, STUD BOLT, 250 V.....	1
3	33432	MOTOR, HYD, 25CC FIXED*** ..... <i>Sauer Motor for Harrison Generator; Consult Factory</i>	1	--	5397	WASHER, FLAT, USS, 5/16", Y	
--	106184	MOTOR, HYD 12.5KW GEN, 21CC*** <i>Fabco Motor; Consult Factory</i>		--	6037	NUT, HEX, 5/16-18, GR5	
--	162006	SEAL KIT, HYD MOTOR (106184) <i>for 106184</i>		16	106073	CIRCUIT BREAKER, 20A, SINGLE PH.....	1
--	32675	SEAL KIT, SUNSTRAND <i>for 33432</i>		17	74006	COVER, GFCI, HORIZONTAL, WEATHER.1	
4	101516	MANIFOLD, DRIVE OIL DIVERter*** ..... .....	1	18	80543	RECEPTACLE, 120VAC, 20A, GFCI.....	1
--	102746	VALVE, PILOT OPER DIRECTIONAL**		19	101947	J-BOX ASSEMBLY, 8X10.....	1
--	106394	ORIFICE DISC, .030, CONE		20	106477	GFI/CIRCUIT BREAKER ASSEMBLY.....	1
--	122302	RELIEF, VALVE 270 PSI		--	106374	CIRCUIT BREAKER, 50A, 3P.....	1
--	146284	SWITCH, PRESS, #4NPT, 200PSIF		--	106375	GFCI, 50A, 3PH.....	1
--	146285	CONN, SAE#4-1/4" NPT <i>for 146284</i>		21	106077	CABLE SQUEEZE CONN .63-.75....	1
--	94757	VALVE, CHECK, 3 PSI***		22	6888	SCREW, HHC, 1/4-20 X 1	
--	94759	NUT, SOLENOID		23	6638	WASHER, FLAT, USS, 1/4" Y	
				24	6091	NUT, NYLOCK, 1/4-20	
				25	9145	SCREW, HHC, 1/2-13 X 2.5, GR5	
				26	6198	NUT, NYLOCK, 1/2-13	
				27	13066	WASHER, FLAT, .5 HARDENED	



913.1 Welder Option - Platform Components

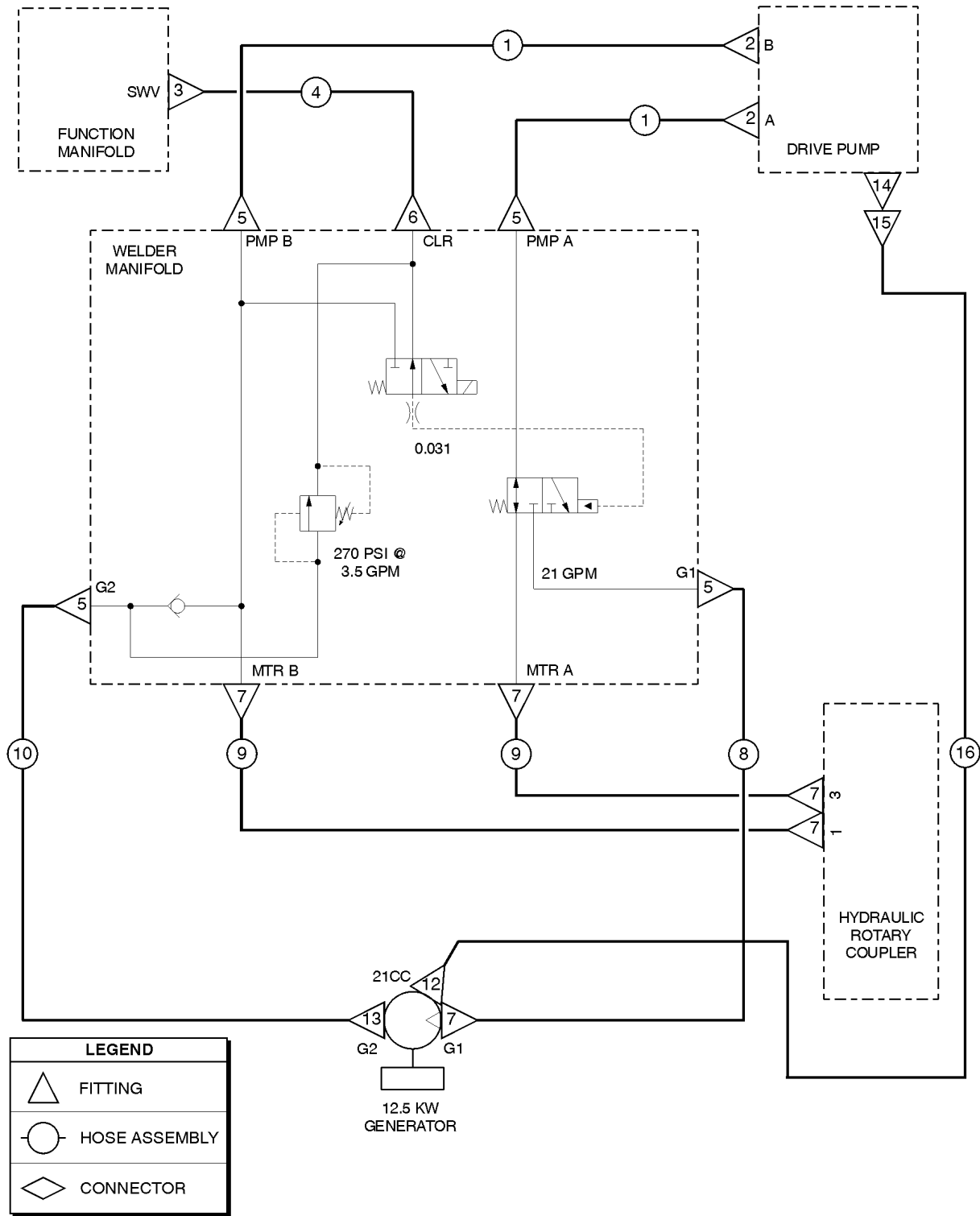




## 913.1 Welder Option - Platform Components

Item	Part No.	Description	Qty.
1	101525	WELDER INVERTEC V275-S.....	1
--	106183	FUSE,.6AMP,250V,WELDER,V275S	
--	106275	KIT,WELD LEADS ASSY,V275S	
2	101547P	BRACKET,WELDER SUPPORT,PNT.....	1
3	6550	U-BOLT,3/8 X 1 YZ.....	2
4	5397	WASHER,FLAT,USS,5/16",Y	
5	4828	NUT,NYLOCK,3/8-16	
6	106112	PLUG,4-WIRE,3-PHASE,50A.....	1
7	106111	RECEPTCL,LOCK 3-PH,50A,4 WIRE.....	1
--	101732	COVER,WEATHERPROOF 3-PHASE	
--	106110	T-BOX,2.75X4.5X2.63,3PH	
8	82237	DECAL,DANGER,HIGH VOLTAGE.....	2
9	101731P	BRACKET,POWER TO PLAT TBOX,PNT.....	1
--	106044	U-BOLT,3/8-16X4X4.63X3.00	
--	4828	NUT,NYLOCK,3/8-16	
--	5397	WASHER,FLAT,USS,5/16",Y	
10	18666	CLAMP,1.00,#16 X 1/4,RUB CUSH	
11	106141	SCREW,SECURITY,1/4-20 X 1.75LG	
12	101701	BRACKET,WELDER MOUNT SUPPORT.....	1
13	101701	BRACKET,WELDER MOUNT SUPPORT.....	1
--	128322	SCREW,5/16-18X1.00,SECURITY TO	
--	128323	BIT,TORX SOCKET,SECURITY	
--	4828	NUT,NYLOCK,3/8-16	
--	5397	WASHER,FLAT,USS,5/16",Y	
--	6782	NUT,NYLOCK,5/16-18	
14	128322	SCREW,5/16-18X1.00,SECURITY TO	
--	128323	BIT,TORX SOCKET,SECURITY	
15	106204	BRACKET,V275S WELD LEADS	

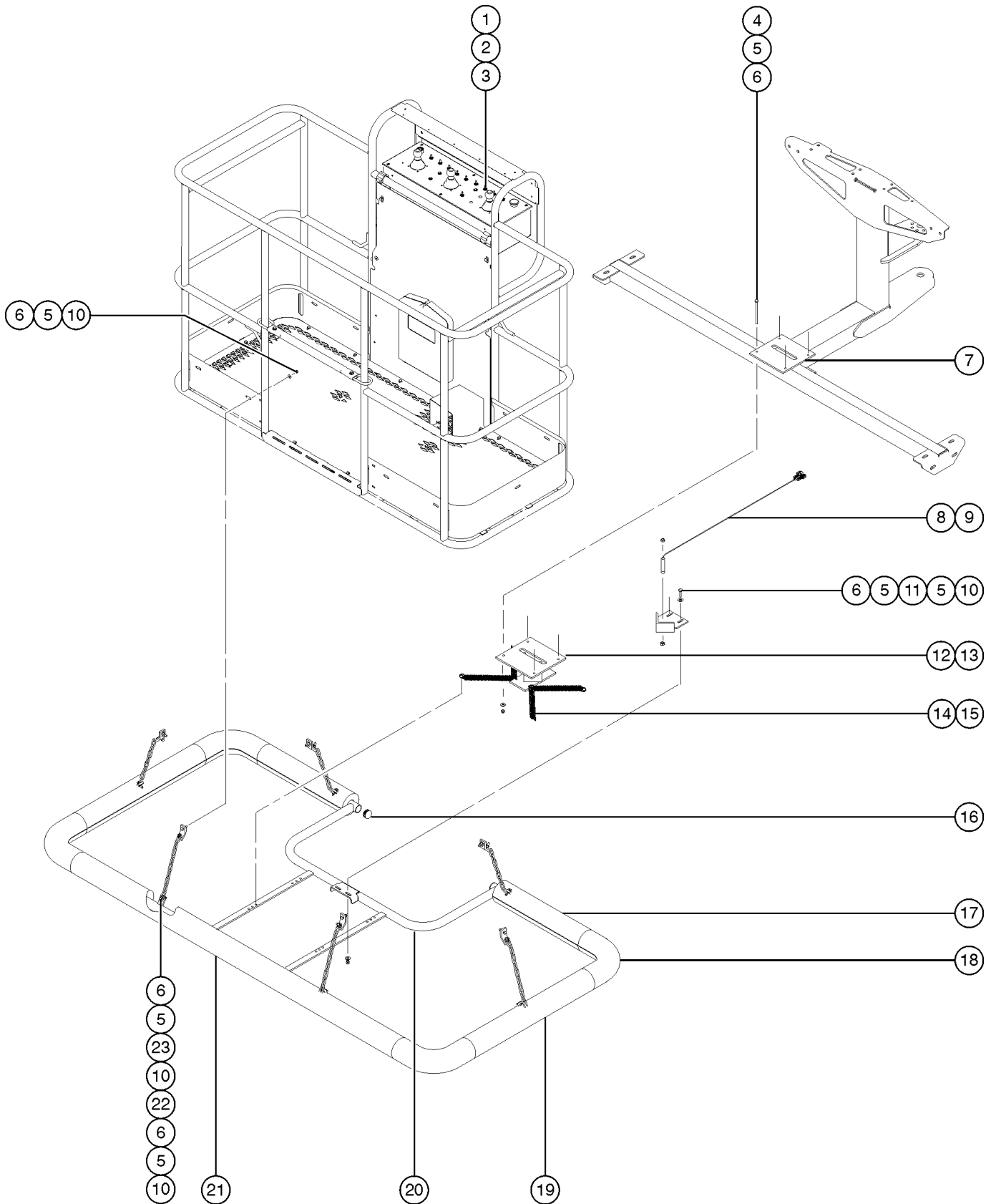
914.1 Welder Option - Hydraulic Hoses and Fittings



914.1 Welder Option - Hydraulic Hoses and Fittings

Item	Part No.	Description	Qty.
1	102313-3326	HOSE ASSY,3/4",45F,STR F.....	2
2	48978	ELBOW,45D,520320-12-16.....	1
3	48948	CONN,520120-8-12.....	1
4	49183-8492	HOSE ASSY,1/2,STR FEM,STR FEM*.....	1
5	48963	FITTING,ELBOW,45D,520320-12***	4
6	48933	CONN,520120-8***.....	1
7	48960	FITTING,CONN,520120-12.....	5
8	61072-2443	HOSE ASSY,3/4,45 FEM,STR FEM**.....	1
9	94374-6030	HOSE ASSY,3/4,90 FEM,STR FEM.....	2
10	61072-2543	HOSE ASSY,3/4,45 FEM,STR FEM**.....	1
11			
12	48932	FITTING,ELBOW,90D,520220-8***	1
13	61610	CONN,LONG,520122-12***.....	1
14	48961	TEE,RUN,520428-12.....	1
15	51580	FITTING,REDUCER,520123-12-8***	1
16	218751	HOSE ASSY,1/2,90 FEM,STR FEM.....	1

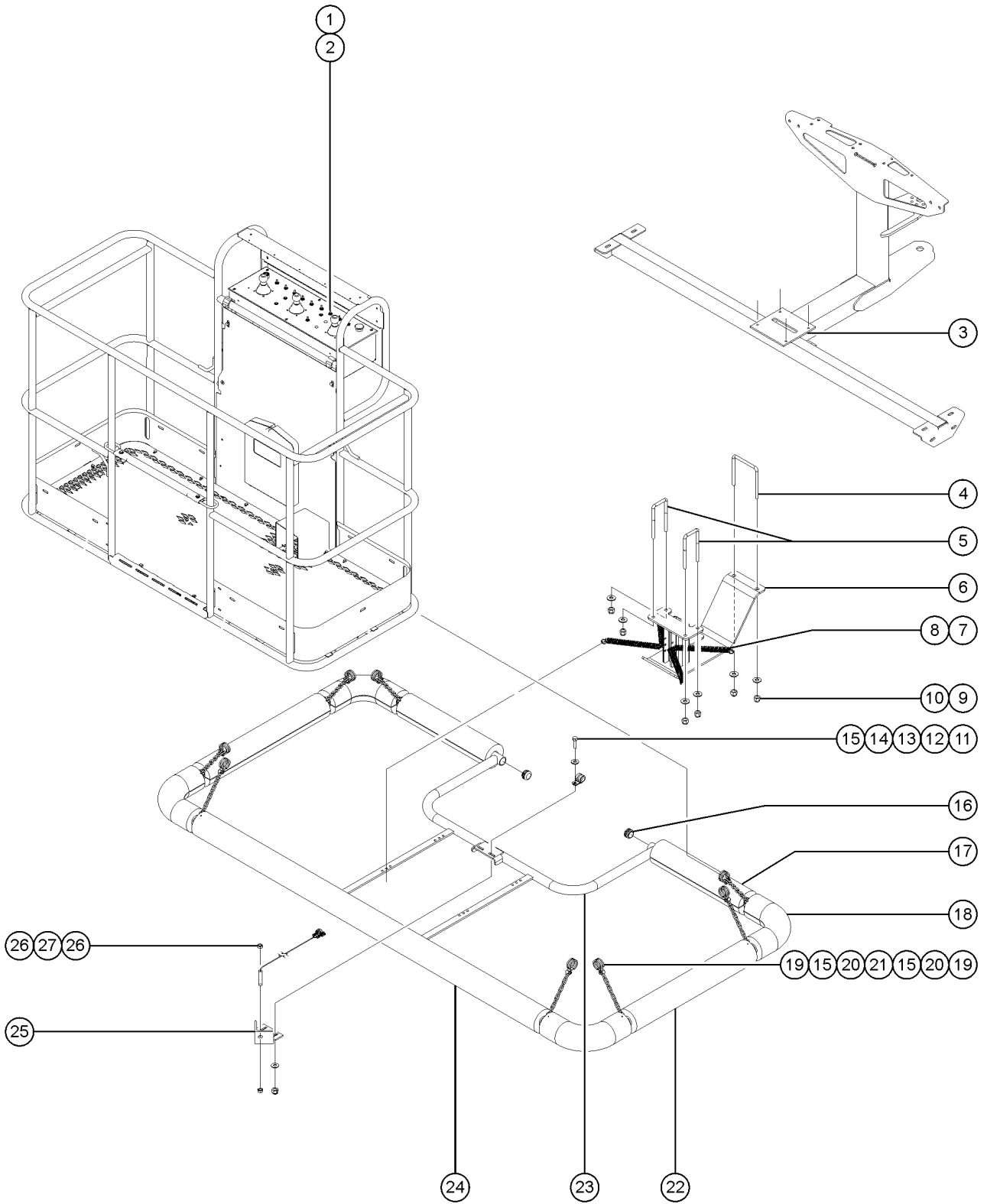
915.1 Aircraft Protection Package - Standard (to SN 20267)



## 915.1 Aircraft Protection Package - Standard (to SN 20267)

Item	Part No.	Description	Qty.
1	128204	SWITCH TOGGLE ASSY SPDT 2P MNT.....	1
2	27246	BOOT,TOGGLE SWITCH,SHORT*.....	1
3	46468	DECAL,FUNCTION OVERRIDE.....	1
4	11413	SCREW,HHC,1/4-20 X 4.....	4
5	6638	WASHER,FLAT,USS,1/4"Y	
6	6091	NUT,NYLOCK,1/4-20	
7	81754	BRACKET, AIRCRAFT MAGNET MOUNT.....	1
8	81532	HARNESS,PROX.KILL..... <i>(includes PN 27391 for Proximity Sensor)</i>	1
--	27391	PROXIMITY SENSOR***	
9	88390	NUT,HEX,M8,PLASTIC.....	2
10	6888	SCREW,HHC,1/4-20 X 1	
11	77797	WELDMENT, SENSOR MOUNT.....	1
12	46028	WELDMENT, AIRCRAFT SENSOR MNT.....	1
13	29261	MAGNET,NEODYMIUM,.375 X .100.....	2
14	88385	SPRING, SS, 1/2-EO500-49-4500..	6
15	88384	SPRING, SS, 3/4-EO750-69-4500..	6
16	55753	BUMPER, PLASTIC, 1.25 O.D.....	2
17	75617-1775	PADDING,FOAM 3.5"OD X 1.50"ID.....	2
18	75636	PADDING,FOAM,3.0"X1.50ID 90DEG.....	4
19	75617-2475	PADDING,FOAM 3.5"OD X 1.50"ID.....	2
20	46187	WELDMENT,AIRCRAFT SENSOR BUMPR.....	1
21	75617-6675	PADDING,FOAM 3.5"OD X 1.50"ID.....	2
22	88378-1100	CHAIN, 2/0, 11" LONG.....	6
23	88373	MOUNT, AIRCRAFT PROTECTION OPT.....	6

915.2 Aircraft Protection Package - Standard (from SN 20268)

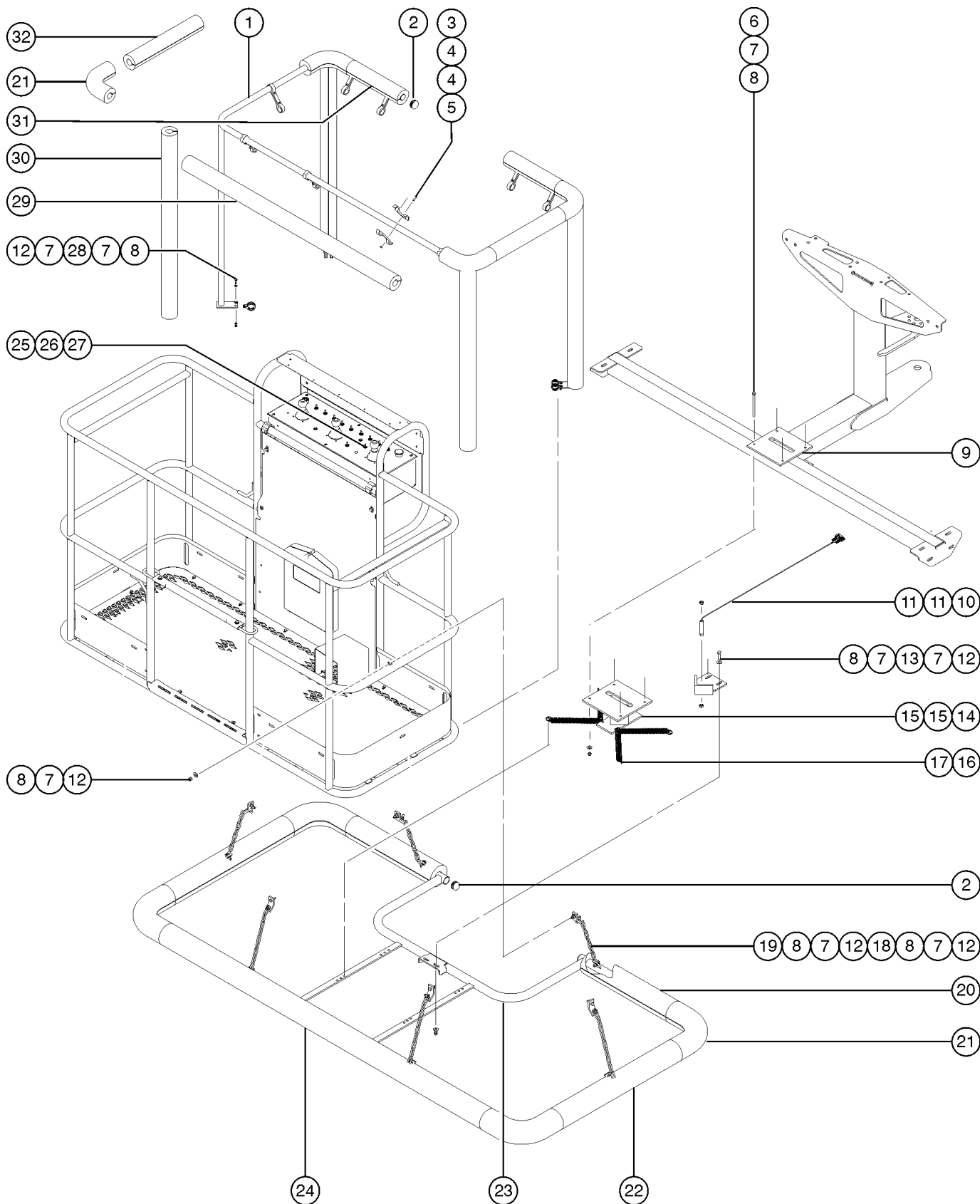


915.2 Aircraft Protection Package - Standard (from SN 20268)

Item	Part No.	Description	Qty.	Item	Part No.	Description	Qty.
1A	128204	SWITCH TOGGLE ASSY SPDT 2P MNT.....	1	--	27391	PROXIMITY SENSOR***	
1B	128203	SWITCH TOGGLE ASSY SPDT 2P MOM.....	1				
--	139882	HARN, AC PROTECTION BYPASS.....	1				
2	27246	BOOT,TOGGLE SWITCH,SHORT*.....	1				
3	81754	BRACKET, AIRCRAFT MAGNET MOUNT.....	1				
4	106044	U-BOLT,3/8-16X4X4.63X3.00.....	1				
5	66472	U-BOLT, SQR, 3/8-16X2X5, PLTD.....	2				
6	139904	WELDMENT, SKIDPLATE.....	1				
7	88384	SPRING, SS, 3/4-EO750-69-4500...4	4				
8	88385	SPRING, SS, 1/2-EO500-49-4500...4	4				
9	4828	NUT,NYLOCK,3/8-16					
10	5397	WASHER,FLAT,USS,5/16",Y					
11	6888	SCREW,HHC,1/4-20 X 1					
12	6638	WASHER,FLAT,USS,1/4"Y					
13	6833	CLAMP,0.50,#8 X 1/4,RUB CUSH...1	1				
14	6638	WASHER,FLAT,USS,1/4"Y					
15	6091	NUT,NYLOCK,1/4-20					
16	55753	BUMPER, PLASTIC, 1.25 O.D.....	2				
17	75617-1675	PADDING,FOAM 3.5"OD X 1.50"ID.....	2				
18	75636	PADDING,FOAM,3.0"X1.50ID 90DEG.....	4				
19	21618	CLAMP,1.13,#18 X 1/4,RUB CUSH.....	16				
20	6090	SCREW,HHC,1/4-20 X .75					
21	56426-700	CHAIN,NO.2 (11 LINKS).....	8				
22	75617-2275	PADDING,FOAM 3.5"OD X 1.50"ID.....	2				
23	139181	WELDMENT,AIRCRAFT SENSOR BUMPR.....	1				
24	75617-6475	PADDING,FOAM 3.5"OD X 1.50"ID.....	1				
25	77797	WELDMENT, SENSOR MOUNT.....	1				
26	88390	NUT,HEX,M8,PLASTIC					
27	81532	HARNES,PROX.KILL..... <i>(includes PN 27391 for Proximity Sensor)</i>	1				



916.1 Aircraft Protection Package - Deluxe (to SN 20267)



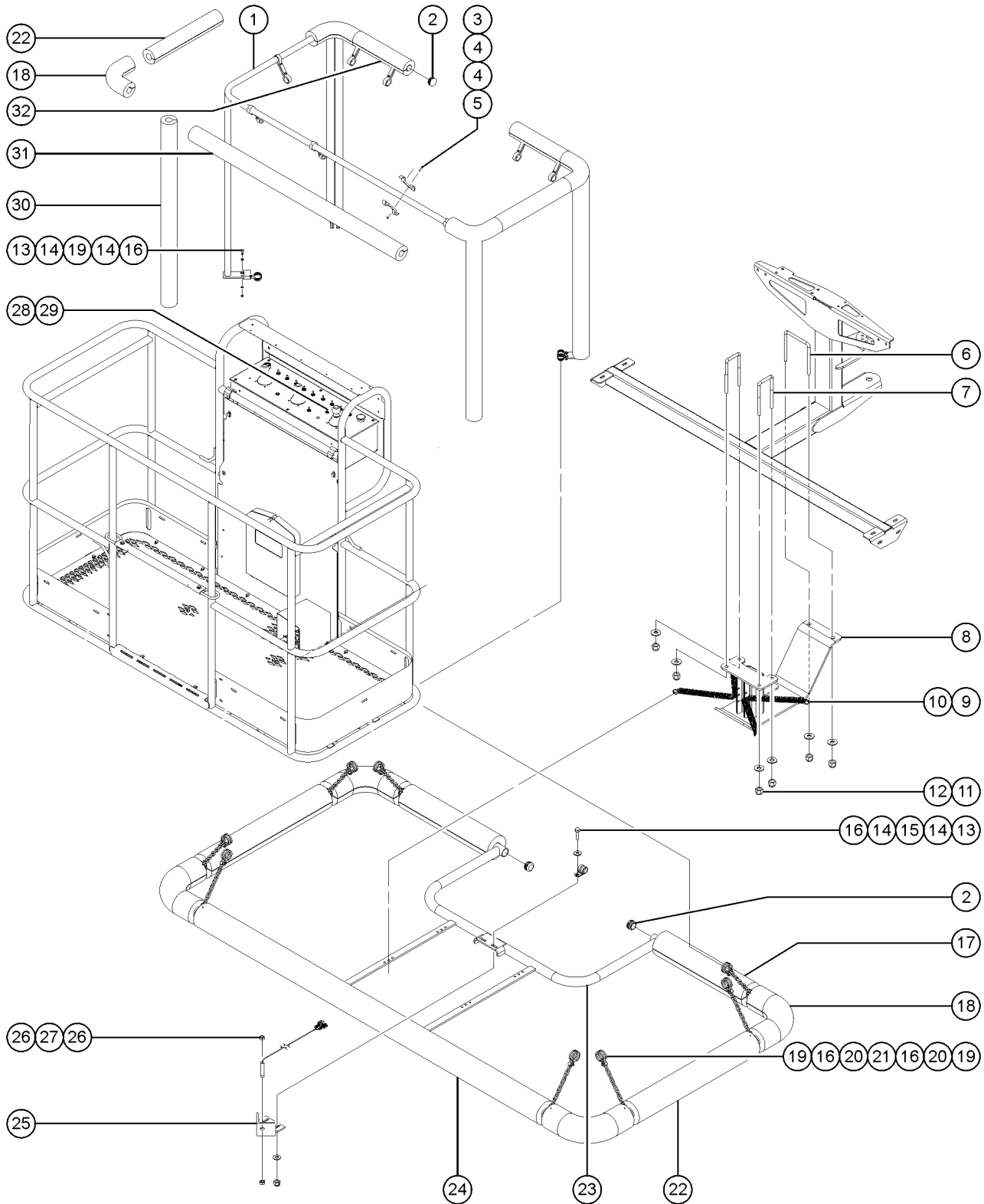


916.1 Aircraft Protection Package - Deluxe (to SN 20267)

Item	Part No.	Description	Qty.	Item	Part No.	Description	Qty.
1	46188	WELDMENT, AIRCRAFT TOP BUMPER.....	1	29	75617-6275	PADDING,FOAM 3.5"OD X 1.50"ID.....	1
2	55753	BUMPER, PLASTIC, 1.25 O.D.....	4	30	75617-4788	PADDING,FOAM 3.5"OD X 1.50"ID.....	4
3	122231	SCREW,BHSC,1/4-20 X 1		31	75617-1538	PADDING,FOAM 3.5"OD X 1.50"ID.....	2
4	122073	SUPPORT, RAILING		32	75617-2075	PADDING,FOAM 3.5"OD X 1.50"ID.....	2
5	6889	NUT,LP NYLOCK,1/4-20					
6	11413	SCREW,HHC,1/4-20 X 4					
7	6638	WASHER,FLAT,USS,1/4"Y					
8	6091	NUT,NYLOCK,1/4-20					
9	81754	BRACKET, AIRCRAFT MAGNET MOUNT.....	1				
10	81532	HARNESS,PROX.KILL..... <i>(includes PN 27391 for Proximity Sensor)</i>	1				
--	27391	PROXIMITY SENSOR***					
11	88390	NUT,HEX,M8,PLASTIC.....	2				
12	6888	SCREW,HHC,1/4-20 X 1					
13	77797	WELDMENT, SENSOR MOUNT....	1				
14	46028	WELDMENT, AIRCRAFT SENSOR MNT.....	1				
15	29261	MAGNET,NEODYMIUM,.375 X .100.....	2				
16	88384	SPRING, SS, 3/4-EO750-69-4500..	6				
17	88385	SPRING, SS, 1/2-EO500-49-4500..	6				
18	88378-1100	CHAIN, 2/0, 11" LONG.....	6				
19	88373	MOUNT, AIRCRAFT PROTECTION OPT.....	6				
20	75617-1775	PADDING,FOAM 3.5"OD X 1.50"ID.....	2				
21	75636	PADDING,FOAM,3.0"X1.50ID 90DEG.....	8				
22	75617-2475	PADDING,FOAM 3.5"OD X 1.50"ID.....	2				
23	46187	WELDMENT,AIRCRAFT SENSOR BUMPR.....	1				
24	75617-6675	PADDING,FOAM 3.5"OD X 1.50"ID.....	1				
25	128204	SWITCH TOGGLE ASSY SPDT 2P MNT.....	1				
26	27246	BOOT,TOGGLE SWITCH,SHORT*.....	1				
27	46468	DECAL,FUNCTION OVERRIDE....	1				
28	21618	CLAMP,1.13,#18 X 1/4,RUB CUSH.....	4				



916.2 Aircraft Protection Package - Deluxe (from SN 20268)

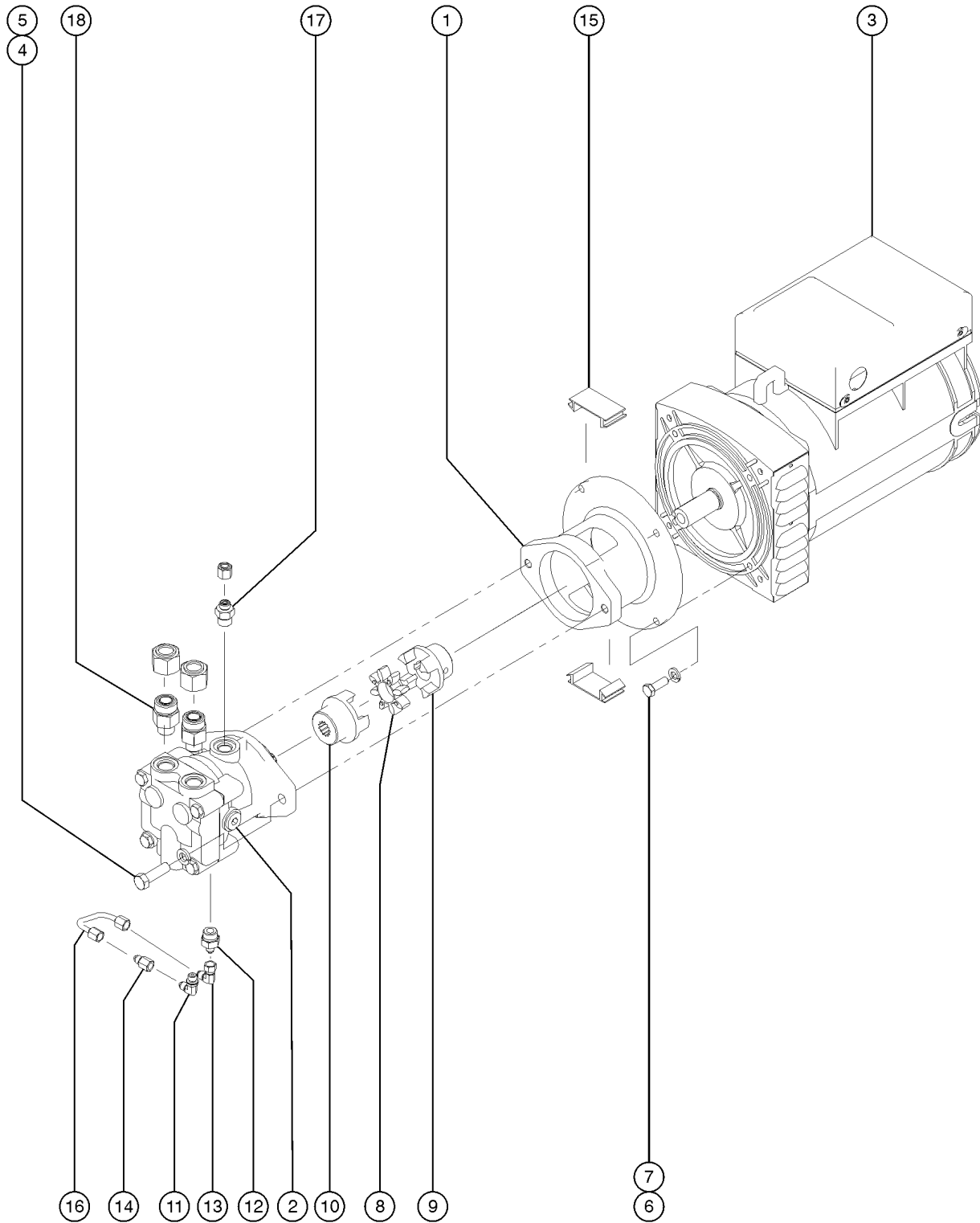


916.2 Aircraft Protection Package - Deluxe (from SN 20268)

Item	Part No.	Description	Qty.	Item	Part No.	Description	Qty.
1	46188	WELDMENT, AIRCRAFT TOP BUMPER.....	1	29	27246	BOOT,TOGGLE SWITCH,SHORT*.....	1
2	55753	BUMPER, PLASTIC, 1.25 O.D.....	4	30	75617-4788	PADDING,FOAM 3.5"OD X 1.50"ID.....	4
3	122231	SCREW,BHSC,1/4-20 X 1		31	75617-6275	PADDING,FOAM 3.5"OD X 1.50"ID.....	1
4	122073	SUPPORT, RAILING.....	20	32	75617-1538	PADDING,FOAM 3.5"OD X 1.50"ID.....	2
5	6889	NUT,LP NYLOCK,1/4-20					
6	106044	U-BOLT,3/8-16X4X4.63X3.00.....	1				
7	66472	U-BOLT, SQR, 3/8-16X2X5, PLTD.....	2				
8	139904	WELDMENT, SKIDPLATE.....	1				
9	88384	SPRING, SS, 3/4-EO750-69-4500...4					
10	88385	SPRING, SS, 1/2-EO500-49-4500...4					
11	4828	NUT,NYLOCK,3/8-16					
12	5397	WASHER,FLAT,USS,5/16",Y					
13	6888	SCREW,HHC,1/4-20 X 1					
14	6638	WASHER,FLAT,USS,1/4"Y					
15	6833	CLAMP,0.50,#8 X 1/4,RUB CUSH....1					
16	6091	NUT,NYLOCK,1/4-20					
17	75617-1675	PADDING,FOAM 3.5"OD X 1.50"ID.....	2				
18	75636	PADDING,FOAM,3.0"X1.50ID 90DEG.....	8				
19	21618	CLAMP,1.13,#18 X 1/4,RUB CUSH.....	16				
20	6090	SCREW,HHC,1/4-20 X .75					
21	56426-700	CHAIN,NO.2 (11 LINKS).....	8				
22	75617-2275	PADDING,FOAM 3.5"OD X 1.50"ID.....	4				
23	139181	WELDMENT,AIRCRAFT SENSOR BUMPR.....	1				
24	75617-6475	PADDING,FOAM 3.5"OD X 1.50"ID.....	1				
25	77797	WELDMENT, SENSOR MOUNT....1					
26	88390	NUT,HEX,M8,PLASTIC					
27	81532	HARNES,PROX.KILL..... <i>(includes PN 27391 for Proximity Sensor)</i>	1				
--	27391	PROXIMITY SENSOR***					
28	128203	SWITCH TOGGLE ASSY SPDT 2P MOM.....	1				
--	139882	HARN, AC PROTECTION BYPASS.....	1				



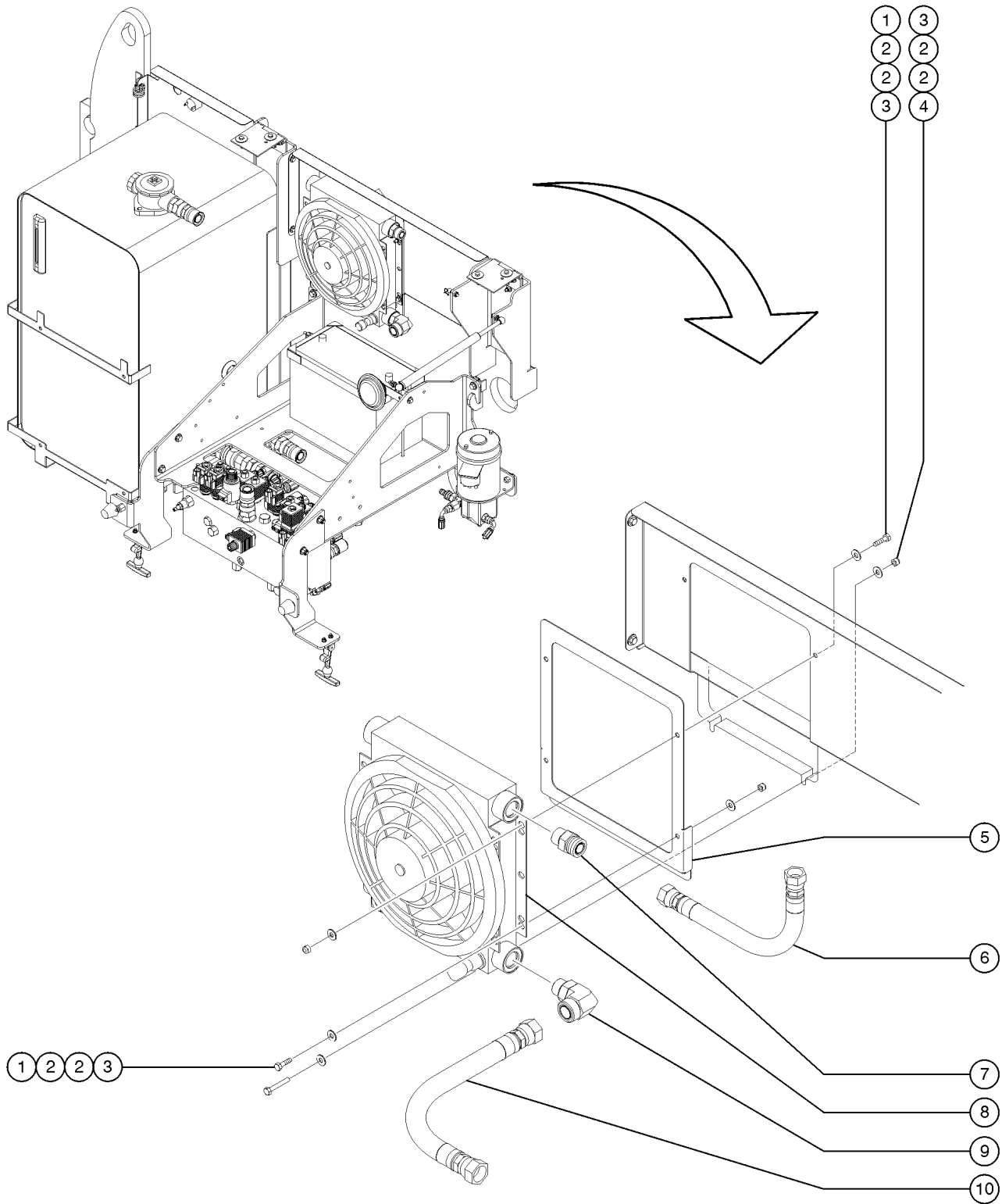
917.1 Welder Option - Generator Components



## 917.1 Welder Option - Generator Components

Item	Part No.	Description	Qty.
--		GENERATOR, HYDRA, 25CC, 208V..1 <i>refer to section 912.1</i>	
1		MOTOR MOUNT.....1 <i>consult factory</i>	
2		MOTOR, HYD, 25CC FIXED*** .....1 <i>refer to section 912.1</i>	
3		ALTERNATOR.....1 <i>refer to section 912.1</i>	
4	6036	WASHER, LOCK, .625 PLTD.....2	
5	22788	SCREW, HHC, 1/2-13 X 1.75.....2	
6	44064	SCREW, HHC, M10 X 30MM,.....4	
7	22700	WASHER, LOCK, M10.....4	
8	58631	COUPLER, INSERT.....1	
9	147404	DRIVE COUPLING.....1	
10	147405	DRIVE COUPLING.....1	
11	13921	ELBOW, 070220-4-4.....1	
12	39879	CONNECTOR, 070120-4-8.....1	
13	87246	ELBOW, SWIVEL NUT 90DEG, -4....1	
14	139919	FITTING, ORIFICE, .047.....1	
15		MOUNT COVER.....2 <i>consult factory</i>	
16	147418	ASSY, BLEED LINE (139367).....1	
17	48914	CONN, 520120-4-8.....1	
18	48975	CONN, 520120-12-10.....2	

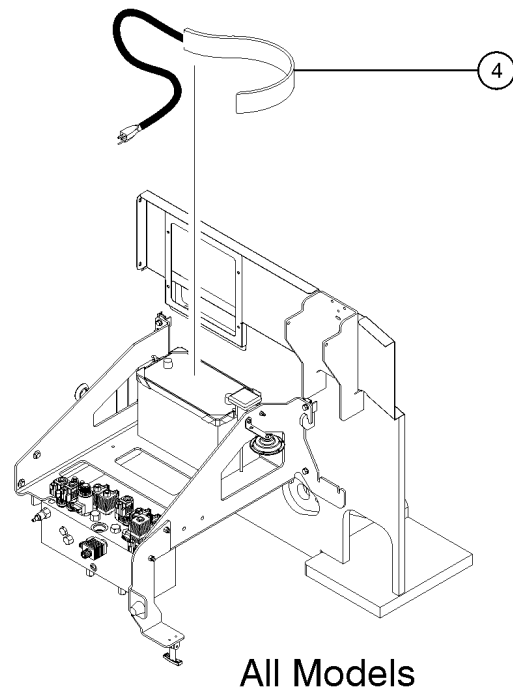
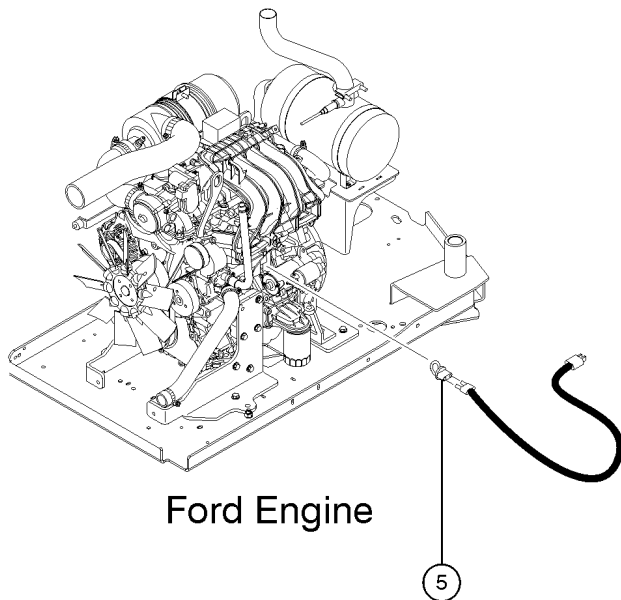
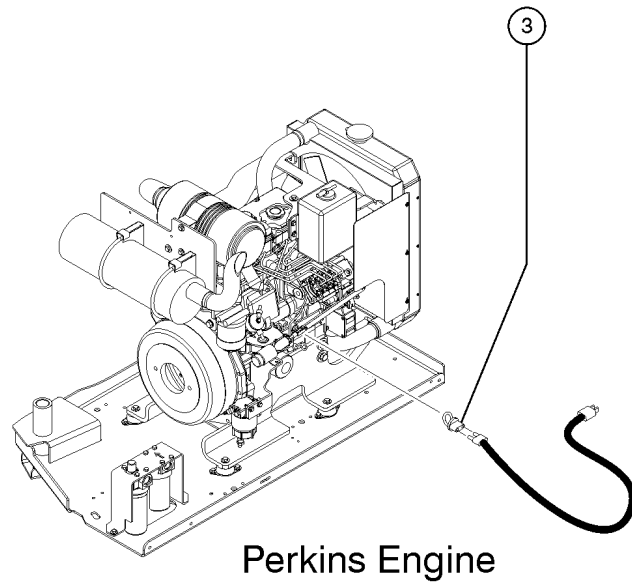
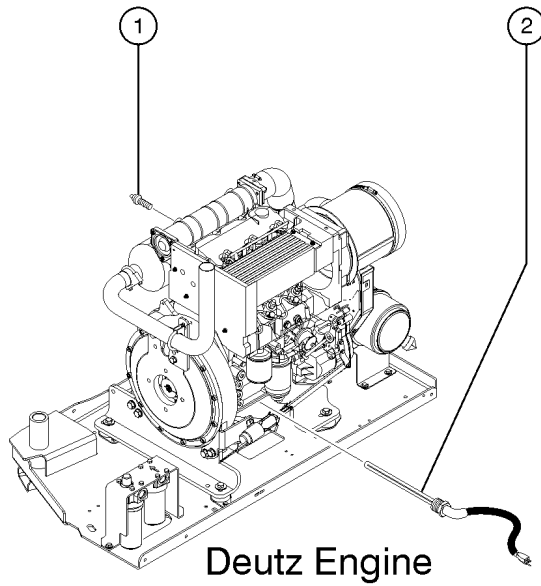
918.1 Hydraulic Oil Cooler Option



918.1 Hydraulic Oil Cooler Option

Item	Part No.	Description	Qty.
1	6888	SCREW,HHC,1/4-20 X 1.....	4
2	6638	WASHER,FLAT,USS,1/4"Y.....	12
3	6091	NUT,NYLOCK,1/4-20.....	6
4	6637	SCREW,HHC,1/4-20 X 1.75.....	2
5	77693	FORMING,OIL COOLER MOUNT...	1
6	49150-2730	HOSE ASSY,3/4,90 FEM STR FEM**.....	1
7	48960	FITTING,CONN,520120-12.....	1
8	71259	OIL COOLER W/FAN, 12VDC.....	1
9	48878	ELBOW,90D,520220-16-12.....	1
10	94205-3164	HOSE ASSY,3/4,45 FEM, STR MALE.....	1

919.1 Cold Start Option

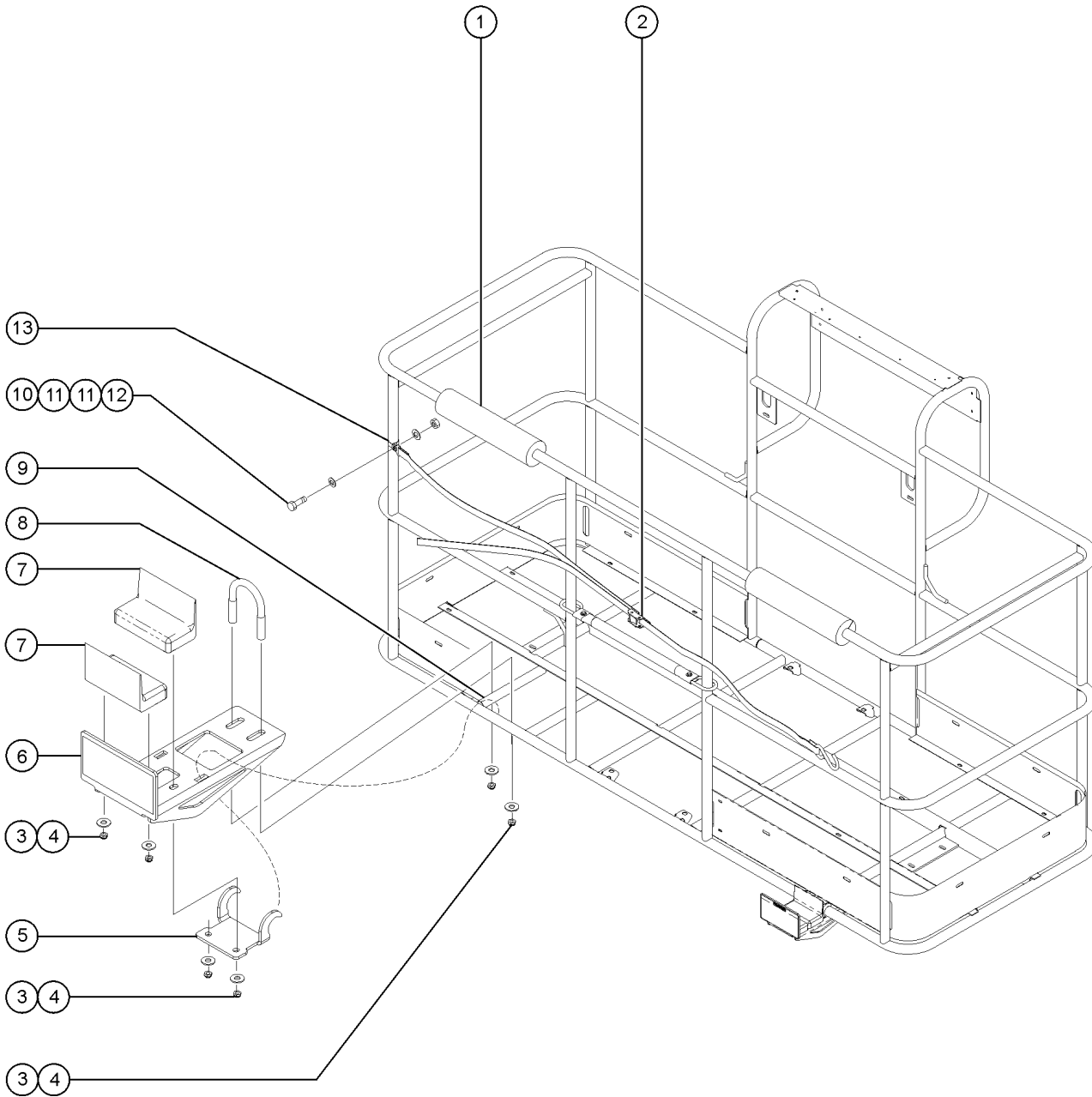




919.1 Cold Start Option

Item	Part No.	Description	Qty.
--	128430	COLD ACCESSORIES, PERKINS	
--	128431	COLD ACCESSORIES, DEUTZ	
--	128432	COLD ACCESSORIES, FORD	
1	128367	KIT,SECOND INTAKE GLOW PLUG.....1 <i>Deutz models</i>	1
2	128274	OIL PAN HEATER,DEUTZ,120V,150W.....1 <i>Deutz models</i>	1
3	77382	HEATER,FREEZE PLUG,PRKINS40422.....1 <i>Perkins models</i>	1
4	28853	BLANKET,BATTERY.....1 <i>all models</i>	1
5	119231	BLOCK HEATER,FORD DSG-423...1 <i>Ford models</i>	1
--	35610	HEATER,FREEZE PLUG,FORD LRG423.....1 <i>Ford Models</i>	1

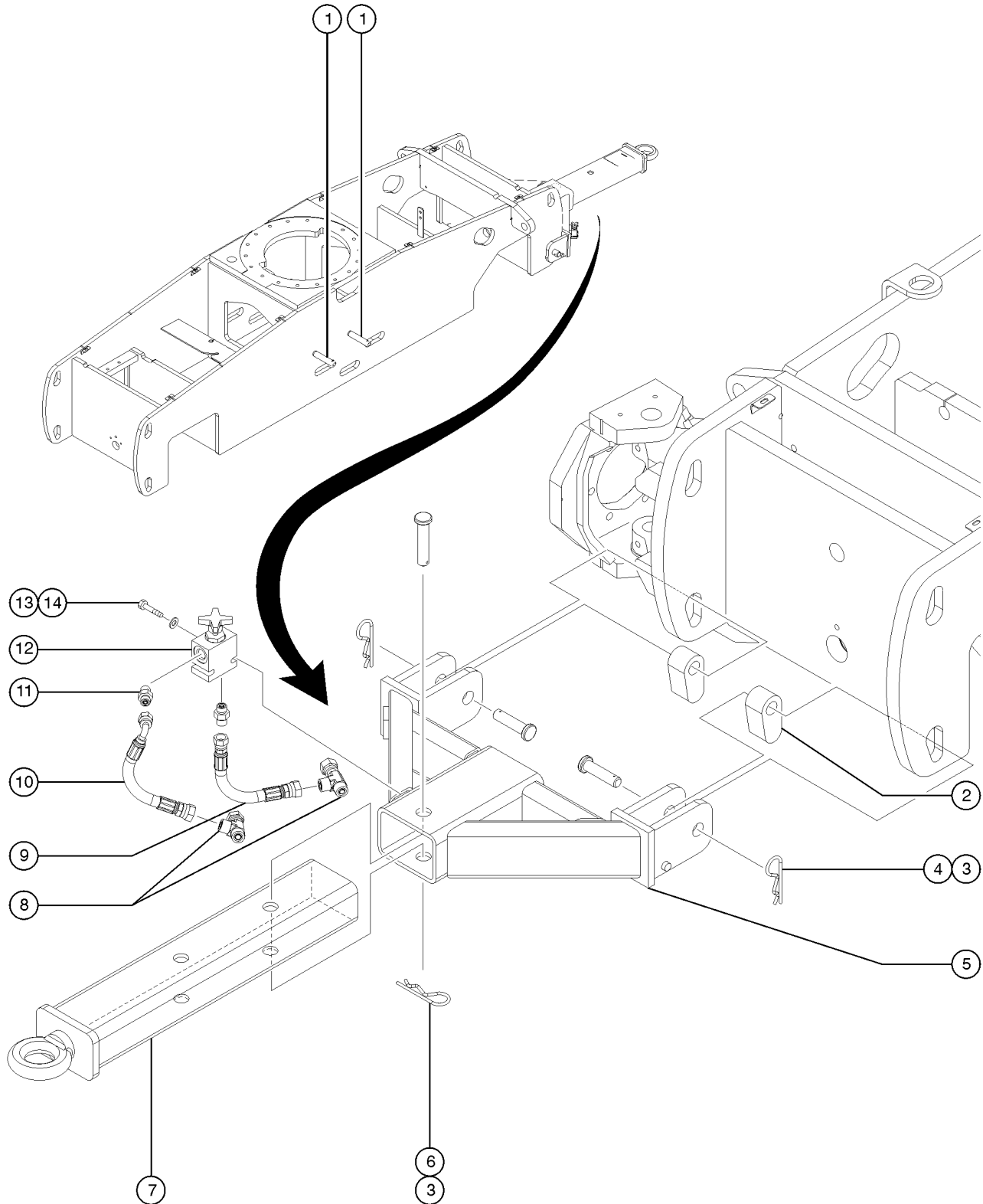
920.1 Panel Cradle



920.1 Panel Cradle

Item	Part No.	Description	Qty.
--	77683-S	OPTION, GLAZIER PACKAGE, ANSI	
--	94493-S	KIT, PANEL CRADLE, CE	
1	88377-1400	FOAM PAD.....	2
2	77664	ADJUSTABLE STRAP ASSY.....	1
3	7713	NUT, LP NYLOCK, 3/8-16	
4	5397	WASHER, FLAT, USS, 5/16", Y	
5	77576P	FORMING, SECONDARY SUPPORT.....	2
6	89724	BRACKET BASE ASSEMBLY.....	1
7	56934	PAD, REST, 1" THICK, FLANGED.....	4
8	122755	UBOLT, FLATTENED, 1.5 DIA X 3/8 UNC.....	2
9	73463-1175	TUBE, RD, ALUM 1.25 X .083.....	2
10	8914	SCREW, HHC, 1/4-20 X .625	
11	6638	WASHER, FLAT, USS, 1/4" Y	
12	6889	NUT, LP NYLOCK, 1/4-20	
13	56424	CLAMP, 1.25 X .5 RUBBER-CUSHION	

921.1 Tow Package



## 921.1 Tow Package

Item	Part No.	Description	Qty.
--	77756	S60 TOW PACKAGE	
1	47025	PIN,STORAGE,TOW PACKAGE.....2 <i>used to store 94420</i> WELDMENT,PULL BAR	
2	81975P	PLATE,CHASSIS ATTACHMENT	
3	42111	CLIP,HAIR PIN .243 X 5.25.....3	
4	42113	PIN,CLEVIS,1.25 X 5.0,ZINC.....2	
5	77870	WELDMENT,TOW BAR.....1	
6	42112	PIN,CLEVIS,1.25 X 6.0,ZINC.....1	
7	94420	WELDMENT,PULL BAR.....1	
8	48875	TEE,RUN,SWIVEL,520432-6.....2	
9	49120-7131	HOSE ASSEMBLY,1/4".....1 <i>attach to right front steer cylinder</i>	
10	49163-7144	HOSE ASSEMBLY,1/4".....1 <i>includes 90-degree elbow fitting;</i> <i>attach to left steer cylinder</i>	
11	48912	CONN,520120-4-6*** .....2	
12	25282	VALVE,NEEDLE,BRAKE RELEASE.....1	
13	824063	SCREW,HHC,1/4-20X1.75,8,ZAG....2	
14	824113	WASHER,FLAT,1/4,USS,ZAG.....2	

Part Number Index

The Part Number Index is a numeric index of all part numbers included in this manual. The index shows what page(s) the part is used on.

Part Number	Page	Part Number	Page	Part Number	Page	Part Number	Page
1000005	57, 65	101491	255-256	10598	170, 173-174,	107700	283
1000014	19, 25, 35, 41,	101494	256		181-183, 185-	107701	283
	67, 73, 83, 89	101516	295		186, 197	107702	283
1000192	57	101525	297	106003P	182-183	107703	283
1000198	51, 57	101540	123-124, 169-	106033	287	107704	283
1000199	55, 63		170, 173-174,	106044	297, 303, 307	107705	283
1000200	51, 53, 59, 61		197	106048	182-183	107706	283
1000262	25, 41, 57, 73, 89	101547P	297	106073	295	107707	283
101005	251	101578	234	106077	295	107708	283
101005H	251	101633	200	106098	99-100, 104, 107	107709	283
101006	173-174	101634	200	106099	291	107710	283
101063	189	101701	297	106104	295	107711	223
101064P	189	101726	119	106108	295	10775	275, 277
101066P	217	101727	119	106110	297	107753	151-152
10107	295	101729	185-186, 197	106111	297	10777	275, 277
101080	139-140, 143-	101730	185-186, 197	106112	297	107808	205-206
	144, 243	101731P	297	106113	295	107813	163
101118P	189	101732	297	106114	295	107814	163
101119P	185-186	101790-10091	261	106140	135, 137	107815	163
101121P	189	101790-10691	261	106141	297	107825	149, 209-210
101123P	185-186	101795-2482	261	106154	227, 229	107841	219
101126P	185-186	101795-4782	263	106163	234	107842	163
101127P	189	101845	237	106172P	123-124	107856	205-206
101128P	189	101890	139-140	106178	186	107857	273
101129P	170, 174	101932	281	106183	297	107868	229
101140P-S	173-174	101947	295	106184	295	107869	205-206
101174	247	101964	121	106203	295	107870	205-206
101174H	247	101997	186	106204	297	107906	139-140
101175	247	101998	186	106226-4000	181-183, 197	107909	139-140, 243
101175H	247	102045	199-200, 203	106271P	185-186	109802	124
101227P	287	102073	185-186	106275	297	110182P	199-200
101232	287	102074	185-186	106374	295	110183	199-200
101244	219	102106	189	106375	295	110194	152, 155
101251	213-214	102119	185-186, 197	106394	295	110196	151-152
101252	205-206, 209-	102121	189, 195	106399	253	110197	152
	210	102126	99-100, 103-	106477	295	110200	151-152
101253	205-206, 209-		104, 107	106485	189	110201	152
	210	102131	99-100, 103-	106486	186, 189	110202	151-152
101254	219		104, 107	106487	186	110221	100, 104
101291	123-124, 169-	102155	99-100, 103-	106495	295	110280	128, 131-132
	170		104, 107	106516	103-104	110293	139-140
101293	269	102157	103-104	106517P	103-104	110304	167, 178, 182-
101294	163	102158	99-100, 103-	106534	219		183, 185-186
101373	233-234		104, 107	106535	277	110328	149
101374	233-234	102159	99-100, 103-	106540P	219	110329	149
101375	233-234		104, 107	106605	189	110339	217
101376	233-234	102162	103-104, 107	106607	139-140, 143-	110340	217
101377	233-234	102163	100, 103-104,		144	110345	117
101378	233-234		107	106637	135, 137	110359	223
101379	233-234	102167	100, 103-104,	106647	99-100, 103-104	110382	119
101380	233-234		107	106648	99-100, 103-104	110389	140
101381	233-234	102209P	203	106657	135, 137	110390	140, 143-144
101382	233-234	102215	227, 229	106663	177-178	110391	140, 144
101383	233-234	102216	227, 229	106669	111	110405	195
101384	233-234	102227	199-200	106766	253	110406	197
101385	233-234	102230-9589	261	106835	163	110407	195
101386	233-234	102237	200	106836	163	110413	197
101387	233-234	102307	185-186	106837	163	110414	197
101388	233-234	102313-3326	299	106850P	221	110416	197
101389	233-234	102357	135, 137	106883P	149	110417	197
101390	233-234	102497	174	106886	149	110419	197
101391	233-234	10258	213-214, 217	107564	253	110421	195
101392	233-234	102581	203	107587	185-186	110422	195
101393	233-234	10262	253	107615P	103-104	110423	197
101394	233-234	102681	167, 277	107616P	103-104	110424	195
101395	233-234	102746	295	107665P	213-214	110480	195
101396	233-234	102785P	273	107666	279	110578	100, 104
101404	121	102786P	273	107670	223	110671	234
101405	121	102854	273	107671	223	110755	149
101421	127-128	102992	234	107672	223	110758	195
101434	239-240	104759	161	107673	223	110768	193
101435	213-214	10597	117, 149, 170,	107694	223	110777	195
101440	155		174, 195, 205-	107696	283	110784	253
101446	157		206, 209-210	107697	283	110785	253
101490	256			107699	283	110789	237, 253

Part Number Index (continued)

Part Number	Page	Part Number	Page	Part Number	Page	Part Number	Page
110803	140, 143-144	119051	195	119547	191	1261392	115
110890P	197	119052	195	119548	191	1261393	115
110892P	197	119053	195, 197	119551	191	1261394	115
110899	177-178, 181-183	119054	195	119560	243	1262331	205-206, 209-210
110908	205-206, 209-210	119055	197	119567	213-214	128000	247, 251
110919	197	119056	205-206, 209-210	119568	191	128001	247, 251
110987	140, 143-144	119058	205-206, 209-210, 233-234	119588	193	128004	203
110988	140, 143-144	119065	214	119607	140, 143-144	128021	186, 195
110991	147	119067	213-214	119613	245, 247, 249, 251	128022	177-178, 182-183
110992	147	119073	197	119641	243	128023	174
110995	197	119084	281	119662	243	128033	275
110996P	123-124	119085	281	119671	139-140, 143-144	128045	135, 137, 243
110997	197	119086	281	119777	139-140, 143-144	128050	295
111027	181-183	119087	281			128165	191
111028	177-178, 181-183	119088	281	119795	233-234	128166	191
111029	181-183	119089	281	119796P	273	128200	127-128, 131-132, 239-240
111155	115	119090	281	119797P	273	128201	127-128, 132, 239-240
111341	197	119117	173-174	119800	127-128	128202	127-128, 132, 239-240
111381	285	119135	191	119809	181-183	128203	127-128, 131-132, 303, 307
111402	199-200	119137	191	119826	197	128204	127-128, 131-132, 239-240, 303, 305
111415	245	119138	193	119837	229		
111416	249	119139	191	119838	229	128268	219
111417	245	119140	195	119841	119	128274	313
111445	174, 199-200	119142	191	119845	275	128322	297
111485P	273	119146	100, 104	119846	295	128323	297
111486P	273	119153	193	119850	139-140	128367	313
111526	273	119168	119	119851	139-140	128368	273
111614	195	119169	197	119852	139-140	128416	157
111615	195	119170	119	119853	139-140	128417	157
111634	167, 189, 195	119223	195	119866	182-183	128418	157
111666	195	119230	253	119867	139-140, 143-144	128419	161, 165
111668	199-200	119231	313			128420	165
111705	152	119232	197	119915	247, 251	128423	163
111819	119	119234	195	119918	119	128430	313
11209	277	119238	195	119919	209-210	128431	313
112283	197	119246	147	119920	209-210	128432	313
112285	195	119250	243	119921	209-210	128454P	231
112400	197	119344	174	119922	209-210	128464	209-210
114098	65	119403	275	119994	219	128482	231
114099	19, 21, 27, 29, 35, 37, 43, 45, 51, 53, 59, 61, 67, 69, 75, 77, 83, 85, 91, 93	119404	275	121340	199-200	128483	231
		119417	287	121599	137	128501	231
11413	301, 305	119418	287	121846	137	128513	231
114169	13-14, 21, 37, 53, 69, 85	119463	195	121847	243	128534	231
114219	19, 35, 51, 67, 83	119465	191	121848	143-144	128578	127-128, 131-132, 239-240
114240	51	119466	191	122019	271	128580	131-132
114241	51	119468	193	122053	139-140, 143-144	128580-S	127-128, 239-240
114247	31, 47, 63, 79, 95	119469	193				
114248	65	119471	193	122073	273, 305, 307	128581	127-128, 132, 239-240
114249	27, 29, 43, 45, 59, 61	119472	191	122079	234, 253	128582	127-128, 132, 239-240
114251	27, 43, 59, 75, 91	119473	193	122231	273, 305, 307	128583	127-128, 131-132
114252	31, 47, 63, 79, 95	119474	193	122278	273	128584	127-128, 131-132, 239-240
114258	19, 35, 51, 67, 83	119475	191	122279	273		
114269	57	119476	191, 197	122302	295	128903	189
114277	21, 29, 37, 45, 53, 61, 69, 77, 85, 93	119477	197	122661	227, 229	128909	115
114389	19, 25, 35, 41, 67, 73, 83, 89	119478	191	122755	315	128910	115
114390	19, 21, 35, 37, 67, 69, 83, 85	119479	191	122944	219	128911	115
114416	25, 41, 73, 89	119481	191	12344	243	128912	115
114473	33, 49, 81, 97	119483	139-140, 143-144	1254826	169-170, 173-174, 199-200	128913	115
115431	167, 177-178, 181-183, 185-186, 197	119484	195	1255653	169-170, 173-174, 199-200	128914	115
119035	139-140	119485	191			128916	115
119044	149	119495	191	125864	111	128917	115
119045	205-206	119496	193	125865	111		
		119497	191	125866	113		
		119498	191	1259704	273		
		119500	191	1261389	115		
		119533	277	1261390	115		
		119534	243	1261391	115		
		119535	225				
		119536	219, 231				
		119537	225				
		119542	219, 231				
		119544	193				
		119545	191				
		119546	197				



## Part Number Index (continued)

Part Number	Page	Part Number	Page	Part Number	Page	Part Number	Page
128918	115	139224	111	139919	295, 309	18666	297
128919	115	139248	253	139958	273	18716	205-206, 209-
128920	115	139262	115	139963	151-152		210
128921	115	139288	217	139983	203	18717	210
128922	115	139293	225	14033	195	18720	205-206, 209-
128923	115	139307	225	14041	277		210, 213-214
128924	115	139321	199-200	144161	275	18722	209-210
128925	115	139322	199-200	146061	203	18730	107, 205-206,
128926	115	139338	240	146062	167, 277		209-210
128927	115	139340	255-256	146284	295	18731	209-210
128928	115	139366	149	146285	295	18963	271
128935	135, 137	139367	295	147015	191, 195	19274	135, 137, 139-
128953	13-14, 21, 37, 53, 69, 85	139384	217	147016	191, 195		140, 143-144,
		139385	217	147031	143-144		243, 277
128955	115	139388	221, 223	147094	127-128, 131-	19358	197
128984	182-183	139390	221, 223		132	19363	185-186, 197
128986	182-183	139438	283	147095	128, 131-132	19440	99-100, 103-
128987	181-183	139440	149	147115	191		104, 213-214
128989	182-183	139441	149	147121	234	19491	205-206, 209-
128991	182-183	139455	199-200	147149	111		210, 213-214
12906	121	139508	159	147155	115	19506	127-128, 131-
12960	127-128, 277	139512	159	147171	143-144		132
13000	167, 169-170, 177-178, 185- 186, 193, 195, 234, 295	139527	159	147221	234	19969	285
		139528	159	147223	117	20262	233-234
		139578	109	147226	213-214	20776	127-128, 295
		139598	245, 247, 249, 251	147227	213-214	20912	277
13002	173-174, 178, 182-183, 193, 203, 234, 295	139601	205-206, 209- 210	14723	277	21019	167, 177-178, 181-183, 185-
				147243	174		186, 197
				147246	143-144		
13003	199-200, 203	139602	205-206, 209- 210	147255	143-144	21130	109, 170, 174, 178, 181-183, 199-200
13014	177-178	139610	195	147289	119		
13064	100, 104, 107, 123-124, 199- 200, 203	139621	173-174	147290	119		
		139624	174	147300	143-144	21141	117
		139666	174	147348	181-183	21175	107
13066	123-124, 163, 195, 200, 206, 295	139709	169-170, 173- 174, 203	147349	181-183	21465	197
				147350	181-183	214690	217
131589	197	139712	159	147351	181-183	214796	191
133067	27, 29, 43, 45, 75, 77, 91, 93	139715	159	147352	181-183	214798	191
		139716	159	147353	181-183	214803	191
133238	13-14, 21, 37, 53, 69, 85	139717	159	147355	181-183	21496	109
		139718	159	147370	253	215340	100, 103-104, 107
133250	67, 69, 83, 85	139719	159	147403	214		
133251	67, 69, 75, 77	139726	159	147404	309	215423	115
133252	83, 85, 91, 93	139727	159	147405	309	215424	115
133253	71, 79	139731	143-144	147418	309	215425	115
133254	87, 95	139732	143-144	147419	256	215426	115
133259	69, 77	139733	143-144	147491	295	215427	115
133260	85, 93	139734	143-144	147525	169-170, 173- 174	215642	100, 103-104, 107
133263	75, 77, 91, 93	139735	143-144	147526	169-170, 173- 174	21604	237
133278	14, 19, 35, 51, 67, 83	139736	143-144			21618	303, 305, 307
		139737	143-144	147549	163	216791	135
133518	13-14, 17, 25, 33, 41, 49, 57, 65, 73, 81, 89, 97	139738	143-144	147550	163	216793	135
		139739	143-144	147826	177-178, 182- 183	217043	137
		139741	143-144			217044	137
13480-S	147	139742	144	147836	285	217045	137
13482	233-234	139743	144	147837	285	217046	137
13585	275, 277	139786	131-132	147838	285	217979	115
13635-10	217, 227, 229	139790	210, 229	147839	285	218751	299
13854	205-206, 209- 210	139791	229	14815	205-206	21935	151-152
		139793	210	1487	273	21982	127-128
139000	111, 115	139799	163	1488	273	22558	169-170, 173- 174, 200, 203
139001	111, 115	139801	163	15086	167, 185-186, 197	22578	189, 199-200
139002	111, 113	139822	163			226327	227, 229
139072	181-183	139832	143-144	15243	131-132	226393	271
139120	111	139833	143-144	162006	295	226541	253
139121	111	139834	143-144	16584	167	226542	253
139122	111	139835	143-144	17017	223	22672	181-183, 185- 186, 291
139125	111	139836	143-144	18383	104, 213-214, 217		
139135	111, 113	139865	107, 123-124	18503	117, 185-186, 193, 195, 197	22676	185-186
139140	111, 113	139882	303, 307			22692	195
139175	113	139899	121	18596	199-200, 203, 213-214, 217	226940	115
139179	111, 113, 115	139900	121			226941	115
139181	303, 307	139901	121	18605	135, 137, 277	226942	115
139189	123-124	139902	121	18665	295	226943	115
13921	309	139904	303, 307				



Part Number Index (continued)

Part Number	Page	Part Number	Page	Part Number	Page	Part Number	Page
226944	115	27246	127-128, 131-132, 239-240,	30143	117	34276	205-206, 209-210
226945	115		301, 303, 305,	30144	117	34344	213-214, 217
226946	115		307	30217	219	34505	291
22699	170, 174, 185-186, 195, 197, 200	27287	135, 137, 243	30222	219	34619	237
22700	195, 197, 309	27377	121	30255	219	34922	291
227309	195	27391	301, 303, 305, 307	30370	206, 210, 213-214, 219	34955	291
227516	234	27497	119	30418	100, 104, 107, 205-206, 209-210	34959	293
227711	227	27535	285		273	35067	167, 189
22788	309	27564	13-14, 51, 53	30468	273	35432	291
227986	99-100, 103-104	27761	155	30489	199-200	35461	275
227987	99-100, 103-104	27802	152	30490	169-170, 173-174, 199-200	35586	169-170, 173-174
227988	167, 189, 195	27804	152		109	35610	313
228457	177-178, 181-183	27807	151-152	30782	127-128, 135	35675	123-124, 170, 173-174, 197, 219
228466	233-234	27836	152, 155	30785-400	109		273
230392	117, 271	28131	139-140, 143-144	30810	287	35956	273
23057	177-178, 181-183	28158	14, 17, 19, 27, 35, 43, 51, 59, 67, 75, 83, 91	30971	167, 173-174, 291	35960	273
231653	227, 229			30973	117, 121	36208	291
233365	191	28159	14, 17, 19, 27, 35, 43, 51, 59, 67, 75, 83, 91	31060	13-14, 23, 39, 55, 71, 87	36388	289
233437	191			31100	152	37003	174, 186, 195
234005	191			31120	273	37505	177-178, 181-183, 277
234006	191	28160	13-14, 17, 19, 27, 35, 43, 51, 59, 67, 75, 83, 91	31408	169-170, 173-174	37947	127-128
23404	135, 137				174	38149	13-14, 19, 35, 51, 67, 83
23405	291	28161	13-14, 19, 21, 23, 35, 37, 39, 51, 53, 55, 67, 69, 71, 83, 85, 87	31523	169-170, 173-174	38620	217
235411	243			31788	19, 35, 51, 67, 83	38621	213-214
236426	181-183			32309	193	38859	117, 147
237068	117	28164	13-14	32339	99-100	38922	167, 189
237856	193			32675	295	39317	227, 229
237857	193	28165	13-14, 25, 41, 57, 73, 89	32695	169-170, 173-174	39479	109
237858	193				174	39879	309
237859	193	28171	13-14, 17	32698	169-170, 173-174	39882	124
24038	178, 182-183, 185-186, 197	28174	13-14, 17, 21, 25, 29, 33, 37, 41, 45, 49, 53, 57, 61, 65, 69, 73, 77, 81, 85, 89, 93, 97		174	40434	13-14, 17, 25, 33, 41, 49, 57, 65, 73, 81, 89, 97
24040	170, 173-174, 185-186, 197			32728	25, 33, 41, 49, 57, 65, 73, 81, 89, 97	40614	135, 137
24514	234				152	41489	123-124
25068	123-124	28175	13-14, 21, 37, 53, 69, 85	32975	152	42014	100, 104, 107, 113
25282	317			33024	174	42111	317
25284	100, 104, 205-206, 209-210	28176	13-14, 25, 41, 57, 73, 89	33239	169-170, 173-174	42112	317
25368	197			33240	169-170	42113	317
25388	275	28177	13-14, 25, 41, 57, 73, 89	33277	177-178, 181-183, 197	42439	119
25548	195			33278	123-124, 217	4266	119, 217, 273
25625	174	28181	13-14, 23, 39, 55, 71, 87	33361	167	42787	269
25683	219			33418	123-124, 199-200, 203	42790	267
25685	237, 253	28235	13-14, 17, 21, 25, 29, 33, 37, 41, 45, 49, 53, 57, 61, 65, 69, 73, 77, 81, 85, 89, 93, 97		174	43018	161
25817	99-100, 103-104			33422	135, 137	43181	139-140, 143-144
25926	193, 197			33428	100, 104, 219		273
25927	197			33432	295	43392	273
25969	210	28236	13-14, 25, 41, 57, 73, 89	33550	17	43594	13-14, 25, 41, 73, 89
25994	19, 35, 51, 67, 83			33555	121	43683	163
27067	99-100, 104, 107			33568	285	43960	205-206, 209-210, 213-214, 233-234
27089	174, 199-200	28301	121	33607	135, 137	44064	170, 174, 309
27204	14, 17, 21, 29, 37, 45, 53, 61, 69, 77, 85, 93	28607	287	33608	135, 137	44174	161
		28656	189	33674	273	44743	234
27205	13-14, 17, 19, 27, 35, 43, 51, 59, 67, 75, 83, 91	28853	313	33724	275, 277	44950	285
		29080	217	33952	13-14, 57	44981	13-14, 17, 21, 25, 29, 33, 37, 41, 45, 49, 53, 57, 61, 65, 69, 73, 77, 81, 85, 89, 93, 97
27206	13-14, 17, 19, 21, 27, 29, 35, 37, 43, 45, 51, 53, 59, 61, 67, 69, 75, 77, 83, 85, 91, 93	29104	21, 37, 53, 69, 85	33960	185-186		117
		29261	301, 305	33963	185-186		
		29560	169-170, 173-174, 199-200	33966	185-186		
				33970	189		
		29606	185-186, 195	33988	163		
		29616	185-186, 195	34052	135, 137		
27207	13-14, 17, 19, 21, 27, 29, 35, 37, 43, 45, 51, 53, 59, 61, 67, 69, 75, 77, 83, 85, 91, 93	29749	177-178, 182-183	34058	287		
				34124	213-214		
		29764	117, 147, 234, 253	34125	217		
				34162-0400	293		
		29868	117, 277, 285	34162-475	169-170	45071	100, 104, 111
		30080	13-14, 25, 41, 73, 89	34163	167	45074	100, 104
				34164	293	45226	99-100, 104, 123-124, 219
		30138	213-214, 217	34245	213-214, 219	45363	117

## Part Number Index (continued)

Part Number	Page	Part Number	Page	Part Number	Page	Part Number	Page
45383	127-128, 131-132, 239-240	48949	255-256		181-183, 200, 203, 217, 277	54428	174
45384	127-128, 131-132, 239-240	48960	255-256, 259, 261, 263, 267, 269, 299, 311	49418	259	54437	177-178, 182-183
45385	243	48961	299	49735	185-186	54457	273
45400	277	48963	255-256, 267, 299	49816	121	54486	273
45435	189, 195, 293	48964	267	49817	185-186	54487P	177-178, 181-183
45437	277	48975	309	49820	127-128, 131-132, 243	54527-S	219
45454	195, 225	48977	255-256	49824	291	54531P	185-186
45483	123-124	48978	299	49826	225, 277	54534	135, 137
45489	152	48984	255-256, 259, 269	49859	263, 265	54573	177-178, 182-183
45708	117	48985	256	49898	185-186	54578	178, 182-183
45748	237	48986	256	49914	169-170	54579	177-178, 181-183
45782	169-170, 173-174, 285	48996	256	49915	203	54687	177-178, 181-183, 277
45912	151-152	48998	255-256, 259, 261	49924	169-170, 173-174, 199-200	54862	185-186
45914	151-152, 285	49117-10091	261	50579-S	169-170	54862	185-186
45921	151-152	49117-10691	261	50787	199-200	55067	234
46028	301, 305	49117-2491	255-256	50787-S	173-174	55753	301, 303, 305, 307
46131	195	49117-3291	265	50941	189	56029	243
46187	301, 305	49117-3391	255-256	51580	299	56030	243
46188	305, 307	49117-3691	267	52076	185-186	56057	135, 137
46468	14, 301, 305	49117-3791	259	52082	233-234	56298	131-132, 239-240
47025	317	49117-4491	255-256, 265	52093	233-234	56424	273, 315
47041	21, 37, 53, 69, 85	49117-5191	265	52179	119	56426-700	303, 307
47548	253	49117-6091	261	5224	100, 104, 119, 231, 281	56561	243
48232	219	49119-2878	255-256, 259	52352	174, 199-200	56562	243
4828	100, 104, 117, 119, 123-124, 149, 182-183, 185-186, 189, 195, 197, 199-200, 203, 219, 227, 229, 231, 234, 237, 253, 275, 277, 285, 289, 297, 303, 307	49119-4278	259	52580	185-186	56572	273
48425	167, 197	49119-70678	259	52607	19, 35, 51, 67, 83	56704	271
48498	185-186, 197	49119-70978	259	52661	273	56848	127-128, 239-240
48641	151-152	49119-71478	259	52726	155	56912	99-100, 103-104, 107, 197, 214, 219, 225, 231, 234, 289
48875	317	49119-72078	259	52865	19, 35, 51, 67, 83	56934	315
48878	269, 311	49119-7478	259	52943	151-152	57072	217
48880	255-256, 259, 261, 265	49119-7578	261, 263	52966	13-14, 17, 19, 27, 35, 43, 51, 59, 67, 75, 83, 91	57075	275
48883	263	49119-79278	259	52967	13-14, 17, 19, 27, 35, 43, 51, 59, 67, 75, 83, 91	58222	123-124
48891	265	49119-79678	259	53189	289	58223	124
48904	255-256, 259, 265	49120-7131	317	5365	109, 199-200, 223, 237	58249	199-200
48905	255-256, 259, 261, 263, 265, 267	49128-13809	259	53758-S	287	58256	169-170, 173-174
48907	255-256, 259	49130-17682	259	53759-S	287	58274	169-170, 173-174, 199-200
48908	259, 261, 263, 265, 267	49130-2482	261, 263	53761-S	287	58299	199-200
48911	259, 261, 263	49130-4782	261, 263	53807-S	273	58303	151-152
48912	256, 261, 265, 317	49130-5582	255-256	53808-S	273	58308	227, 229
48914	255-256, 265, 309	49130-5782	255-256	53952	169-170, 173-174, 177-178, 181-183, 195	58309	227, 229
48915	261, 263	49131-9603	261	5397	121, 123-124, 163, 167, 169-170, 173-174, 177-178, 181-183, 193, 195, 199-200, 203, 231, 234, 275, 277, 279, 295, 297, 303, 307, 315	58310	227, 229
48916	255-256, 259, 261, 263	49142-7112	267	53976	285	58354	177-178, 181-183
48918	261, 263	49143-13829	259	5408	149	58380	124
48930	261	49143-2979	267	54177	217	58387	123-124
48932	255-256, 299	49143-3179	267	54205	177-178, 182-183	58431	163
48933	255-256, 259, 261, 263, 265, 267, 299	49143-3429	255-256	54247P	233-234	58489	119
48935	255-256, 267	49143-3629	255-256	54255	131-132, 243	58630	199-200
48936	255-256, 261	49150-2730	269, 311	54259	213-214, 243	58631	295, 309
48937	259, 267	49150-9130	255-256	54260	205-206, 209-210	58632	193
48941	255-256	49151-6248	255-256, 269	54322	117	58944	285
48943	256	49163-7144	317	54365	135, 137, 193, 243	58954	285
48946	255-256	49177-102894	275	54380	277	59460	99-100, 103-104
48948	261, 299	49177-108894	275			60160P	233-234
		49183-13492	259			6019	117, 119, 167, 169-170, 177-178, 195, 203, 213-214, 217, 223, 225, 227, 229, 234, 275, 279, 293
		49183-17692	259				
		49183-8492	299				
		49207	256, 265				
		49212	275				
		49214	275				
		49215	275				
		49219	139-140, 143-144				
		49364	182-183				
		49386	197				
		49407	189, 199-200				
		49408	193, 197				
		49410	177-178, 182-183				
		49411	169-170, 173-174, 177-178,				

Part Number Index (continued)

Part Number	Page	Part Number	Page	Part Number	Page	Part Number	Page
	209-210, 213-214, 217, 219, 223, 225, 231, 285	61113	277	63138	279	6782	121, 167, 173-174, 177-178, 182-183, 203, 234, 297
6024	199-200, 203	61128	123-124	63143	279	6833	303, 307
6033	100, 104, 109, 117, 149, 170, 174, 195, 205-206, 209-210	61211	277	63144	279	6878	279, 281
60334	123-124	61225	135	63167	279	6884	227, 229
6036	123-124, 309	61226	135	63170	279	6886	123-124
6037	295	61234	119	63176	279	6888	119, 123-124, 181-183, 185-186, 189, 195, 214, 219, 221, 225, 237, 295, 301, 303, 305, 307, 311
60370-S	234	61240	119	63180	279		
60425	205-206, 209-210	6126	123-124	63213	219		
60429	205-206, 209-210	61263	256	6326	104		
60439	214	61306-S	219	63311	273		
60443	213-214, 243	6145	197, 273	63353	219		
60526	131-132, 243	6146	117, 121, 167, 177-178, 181-183, 185-186, 197, 237, 271, 277, 291	63375	275		
60561	199-200	6147	271	63463	169-170, 173-174, 177-178, 181-183		
60585	182-183	61602	205-206, 209-210	63468	107	6889	229, 273, 279, 281, 283, 289, 305, 307, 315
60707	167, 277	61610	299	6356	124, 210, 214, 217, 219, 223, 239-240, 273, 289		
60738	277	61726	237	63566	219	6935	243, 275, 277
60739	277	6175	100, 104, 107, 117, 119, 149, 169-170, 173-174, 181-183, 185-186, 189, 199-200, 205-206, 209-210, 213-214, 217, 219, 285, 289	63727	291	69775	174
60757	131-132	6178	117, 121, 135, 137, 149, 185-186, 225, 243, 271, 277	63766	234	69776	277
60790	277	61782	167	63771P	289	70239	219
6083	277	6179	149	63772	289	70240	219
60838	200	61972	237	63773	289	70251	167, 169-170
60857	123-124	61974	237	64079	186	70254	167
60868	177-178, 182-183	61975	237	65473	167, 178, 182-183	70255	167
60886	275	6198	123-124, 170, 173-174, 185-186, 189, 195, 197, 205-206, 209-210, 217, 295	6550	234, 297	70258	167
60887	277	61997	237	65616	123-124	70259P	167
6090	107, 117, 119, 121, 124, 127-128, 131-132, 177-178, 193, 214, 217, 219, 223, 225, 227, 229, 231, 234, 273, 283, 303, 307	62076	13-14, 17, 23, 31	65620	167	70260P	167
6091	109, 117, 119, 121, 123-124, 147, 177-178, 181-183, 185-186, 189, 193, 195, 213-214, 217, 219, 225, 227, 229, 231, 234, 285, 295, 301, 303, 305, 307, 311	62077	14, 17, 21, 29, 53, 61	65621	167	70261P	167
		62078	13-14, 17, 39, 47	65622	167	70262P	167
		62079	14, 17, 37, 45	65623	167	70264	227, 229
		62256	151-152	65624	167	70284	167
		62257	151-152	65625	167	70289	210
		62258	152	6563	253	70290	210
6095	109, 117, 170, 173-174, 181-183, 185-186, 189, 195, 197	62260	151-152	65636	182-183	70292	210
		62273	151-152	65638	182-183	70294	167
		62274	152	65770	185-186	70298	167, 177-178, 182-183
		62275	151-152	6584	109, 174, 199-200	70311	170
6096	123-124, 189, 195	62276	152	65841	285	70317P	289
		62392	245, 247	65887	119	70318P	289
6097	104, 117, 119, 123-124, 167, 169-170, 173-174, 177-178, 197, 213-214, 227, 229, 234, 237, 277, 289, 293	62395	245, 247, 249, 251	6605	217	70319	289
		62420	169-170, 173-174, 177-178, 181-183	6610	123-124	70322	279
		62421	182-183	6637	189, 210, 219, 311	70323	279
		62425	199-200	6638	99-100, 103-104, 107, 109, 117, 119, 121, 123-124, 127-128, 131-132, 135, 137, 177-178, 181-183, 185-186, 189, 193, 195, 197, 199-200, 210, 213-214, 217, 219, 221, 225, 227, 229, 231, 234, 239-240, 273, 283, 285, 289, 295, 301, 303, 305, 307, 311, 315	70324	279
		62433	177-178, 182-183			70325	279
60984	209-210	62476	203			70326	279
61072-2443	299	62506	161			70327	279
61072-2543	299	62507	161			70328	279
61073-2830	267	62845	177-178, 181-183			70329	279
61073-3930	255-256	63078	213-214			70330	279
61074-6222	267	63136	279			70331	279
61074-7572	255-256			66472	303, 307	70351P	169-170, 173-174
61110	200			6666	275	70357	177-178, 182-183
				66812	127-128, 131-132, 239-240	70358	293
				66813	239-240	70367	167, 177-178, 181-183, 185-186, 197
				66815	239-240	70368	167
				66816	239-240	70375	169-170, 173-174
				66818	127-128, 239-240	70377	170
						70378	169-170
						70379P	170
						70380P	170
						70381	170, 174, 203
						70385	167, 170, 174, 178, 182-183
						70387	119
						70397	277
						70398	277
						70399	277
						70420	186, 189

## Part Number Index (continued)

Part Number	Page	Part Number	Page	Part Number	Page	Part Number	Page
70422P	185-186	73711	131-132, 243	77303	219	77870	317
70425P	189	73713	131-132, 243	77351	243	77879P	289
70433P	185-186	73714	131-132	77353	117	77880	100, 104
70444	200	73717	131-132, 243	77354	117	77882	214
70445	203	73723	243	77365	117	77887	293
70448	200	73725	213-214	77382	313	77891	293
70449	200	73736	131-132, 243	77402	169-170, 173-174, 177-178, 181-183, 199-200	77896	227, 229
70452	169-170, 173-174, 185-186, 197	73739	205-206, 209-210, 233-234	7746P	273	77900	293
70453	173-174, 199-200	73749	131-132	77476	182-183	77950	107
70454P	203	73751	131-132	77478	181-183	77968P	234
70455	199-200	73753	127-128, 131-132	77483	178, 182-183	77990	182-183
70456	203	73754	131-132	77550	167	77996P	289
70459P	170, 173-174	73803	131-132, 243	77576P	315	77997P	289
70460P	169-170, 173-174	73805	127-128	77610	100, 104	77998P	289
70461P	170, 173-174	73807	161	77616P	217	79456	231
70465	199-200	73811	214	77618P	213-214	80543	295
70472P	170, 174	73814	205-206, 209-210	77623P	107	80825-200	189
70478P	199-200	73928	117, 147, 234	77643	99-100, 103-104	81005	124
70479P	199-200	73931	234	77645P	117	81096	275
70483	203	73975	233-234	77646P	117	81164	99-100, 103-104
70494P	173-174	73976	233-234	77648	217	81167	289
70499	174	74006	275, 295	77649	217	81175	219
70525	185-186	74052	275	77650	217	81341	227, 229
70527	189	74254	147	77653P	214	81342	227, 229
70529	293	74255	253	77654P	213-214	81347	227, 229
7056	127-128, 131-132, 243, 275, 277	74389	99-100, 103-104	77656	213-214, 217	81351	227
71038	287	74872	213-214	77664	315	81366	123-124
71259	311	74902	151-152	77665P	123-124	81426	167
71768	214	74913	135, 137	77666P	123-124	81458	275
71909	119	74917	135, 137	77671	123-124	81467	199-200
71911	195, 200	74918	137	77672	206, 210	81468	199-200
72047	151-152	75073	121, 123-124	77674	99-100, 103-104, 107	81484P	239-240
72168	19, 35, 51, 67, 83	75076	121	77676	123-124	81487P	243
72169	19, 35, 51, 67, 83	75143	245, 249	77679	119	81488	243
72255	169-170, 173-174	75159	197	77680	119	81532	301, 303, 305, 307
72282	271	75278-5029	261	77681	119	81550	243
72290	99-100, 104, 107	75278-5129	261	77682	123-124	81551	243
72326	117, 127-128, 131-132, 239-240, 271	75443	249, 251	77683-S	315	81552	109
72337	177-178	75444	249, 251	77684P	285	81570	275
72342	177-178, 181-183	75445	249, 251	77688	217	81578	117
72343	177-178, 181-183, 185-186, 195	75446	249, 251	77692	234	81599	99-100
72344	177-178, 181-183	75447	249, 251	77693	311	81640	231
72348	182-183	75449	249, 251	77713	217	81669	163
7268	253	75470	205-206, 209-210	77718	213-214, 217	81691	109
72867	25, 33, 41, 49, 57, 65, 73, 81, 89, 97	75574	259	77725	99-100, 103-104	81694	205-206, 209-210
72875	25, 41, 57, 73, 89, 273	75617-1538	305, 307	77726	99-100, 103-104	81724	123-124, 167
72999	19, 35, 51, 67, 83	75617-1675	303, 307	77745	167	81754	301, 303, 305
73233	233-234	75617-1775	301, 305	77750	119, 167	8177	100, 104, 163, 200, 205-206, 209-210
7339	99-100, 103-104, 135, 137, 221	75617-2075	305	77756	317	81777	227, 229
73455	100, 104, 107, 123-124	75617-2275	303, 307	77761P	178	8178	289
73463-1175	315	75617-2475	301, 305	77762P	167	8179	109, 213-214, 227, 229, 285
73477P	233-234	75617-275	305	77763P	169-170	81812-13292	261
73478P	233-234	75617-4788	305, 307	77766	275	81834	123-124
73500	273	75617-6275	305, 307	77778	121	81852	277
73501	273	75617-6475	303, 307	77784P	217	81856	213-214
73610P-S	234, 283	75617-6675	301, 305	77788	163	81874	121
73634	237	75631	193	77790	99-100, 103-104	81876	121
		75636	301, 303, 305, 307	77791	99-100, 103-104	81895	99-100
		75654	256	77792	103-104	81975P	317
		75826	167	77793	103-104	82161	19, 35, 51, 67, 83
		75953	167	77795	213-214	82237	21, 25, 37, 41, 53, 57, 69, 73, 85, 89, 295, 297
		77046	13-14, 17	77797	301, 303, 305, 307	82240	27, 43, 59, 75, 91
		77069	119	77803	123-124	82243	25, 41, 57, 73, 89
		77071	119	77821	167	82283	13-14
		7713	182-183, 315	77822	167	82366	13-14, 19, 35, 51, 67, 83
		77139	123-124	77834	233-234	824063	317
		77180	234	77836	233-234	82408	13-14
		77181	231	77838	233-234	82410	25, 41, 57, 73, 89
		77219	119	77840	233-234		
		77245P	174	77844	234		
		77295	167, 189, 195	77850	167		

Part Number Index (continued)

Part Number	Page	Part Number	Page	Part Number	Page	Part Number	Page
824113	317	88106P	121	88810	135, 139-140,	8915	119, 121, 177-
82431	163	88212	123-124		143-144		178, 182-183,
82455	14, 17, 19, 27,	88296	107	88811	135		185-186, 231,
	35, 43, 51, 59,	88356-11103	205-206, 209-	88813	135, 139-140		289
	67, 75, 83, 91		210	88814	139-140	89294	99-100, 103-
82456	13-14, 17, 25,	88356-13103	123-124, 213-	88815	139-140, 143-		104, 111
	33, 41, 49, 73,		214		144	89295	100, 104
	81, 89, 97	88356-14963	214	88828	273	89307	151-152
82472	17, 27, 29, 31,	88356-31802	223	88829	271	89309	151-152
	43, 45, 47, 59,	88373	301, 305	88833	135, 139-140,	89310	151-152
	61, 63, 75, 77,	88377-1400	315		143-144	89311	151-152
	79, 91, 93, 95	88378-1100	301, 305	88834	135, 139-140	89571	123-124
82473	17, 29, 45, 61,	88384	301, 303, 305,	88835	135, 139-140	89617	119
	77, 93		307	88836	139-140, 214	89724	315
82481	27, 43, 59, 75, 91	88385	301, 303, 305,	88837	139-140	89736	152
82487	17, 27, 33, 43,		307	88838	139-140, 143-	89755	237
	49, 59, 65, 75,	88390	301, 303, 305,		144	89759	182-183
	81, 91, 97		307	88840	139-140	89763	177-178, 181-
824879	127-128, 131-	88403	167	88841	167, 177-178,		183
	132, 239-240	88448	189		182-183	89765	181-183
824880	127-128	88450	185-186, 195	88842	167, 177-178	89771	177-178, 182-
82544	17, 59, 61	88452	191	88846	177-178, 181-		183
82545	17	88512	169-170, 199-		183	89772	177-178, 182-
82547	17, 33, 49, 81, 97		200	88847	177-178, 181-		183
82548	17, 33, 49, 65,	88514	227, 229		183	89773	177-178, 182-
	81, 97	88515	227, 229	88858	227, 229		183
82549	13-14, 17, 19,	88516	219	88859	227, 229	89792	174
	21, 27, 29	88567	217	88870	219	89813	195
8255	99-100, 104,	88568	213-214	88872	205-206, 209-	89861	151-152
	123-124, 231	88571	213-214		210	89862	161
82550	13-14, 17, 35,	88576	219	88883	99-100, 103-104	89863	161
	37, 43, 45	88598	217	88884	99-100, 103-	89864	161
82551	17, 27, 29, 43,	88606P	273		104, 107	89908	167, 277
	45, 59, 61	88607P	273	88885	107	89953	181-183
82552	17, 27, 29, 43, 45	88636-11973	259	88886	99-100, 103-	9145	295
82601	33, 49, 81, 97	88636-2573	259		104, 107	94077	119
82602	17, 33, 49, 65,	88636-8573	265	88887	107	94205-3164	269, 311
	81, 97	88653	205-206, 209-	88888	117	94221	104
82604	17, 33, 49, 65,		210	88889	117, 147	94326	234
	81, 97	88665	205-206, 209-	88892	205-206	94332	99-100, 103-104
82644	13-14, 21, 37,		210	88917	117	94333	99-100, 103-104
	53, 69, 85	88666	205-206, 209-	88919	206, 210, 213-	94342	135
82645	13-14		210		214	94343	135
82646	17, 33, 49, 65,	88667	213-214	88920	205-206, 209-	94374-2330	263
	81, 97	88668	205-206, 209-		210	94374-2430	261
82671	29, 33, 45, 49,		210	88926	139-140, 205-	94374-2530	263
	61, 65, 77, 81,	88675	205-206, 209-		206, 209-210	94374-2630	261
	93, 97		210	88927	139-140, 213-	94374-4730	263
82677	13-14, 19, 21,	88676	205-206, 209-		214	94374-6030	256, 299
	35, 37, 51, 53		210	88928	139-140	94378P	177-178, 182-
82678	13-14, 19, 21,	88684	119	88929	139-140, 205-		183
	35, 37, 51, 53	88705	227, 229		206, 209-210	94397	219
82679	13-14, 21, 37,	88727	99-100, 103-104	88930	135, 139-140	94420	317
	53, 69, 85	88728	99-100, 103-104	88933	139-140, 243	94439	111
82686	13-14	88729	99-100, 103-104	88934	135, 139-140	94463	291
82760	17	88730	99-100, 103-104	88935	135, 139-140	94464-4186	265
82862	25, 41, 57, 73, 89	88742	205-206	88936	255-256	94464-4986	261, 263
83009	123-124	88757	185-186	88942-8354	256	94465-3650	255-256
83048	167	88764	205-206	88942-8754	256	94466-2336	261, 263
83098	247, 251	88782	151-152	88943-7636	255-256	94479	291
84134	155	88785	123-124	88943-8236	255-256	94485	169-170, 173-
84135	155	88786	161	88949-3828	255-256, 269		174
8425	277	88791P	217	88952	140	94493-S	315
85053	170, 174, 200	88793	217	88957	163	94499	151-152
85054	174	88795	213-214	88987P	177-178, 181-	94506	239-240
85155	181-183	88796	217		183	94507	99-100, 103-104
8516	123-124, 185-	88800	139-140, 143-	88988P	177-178, 181-	94508	107
	186, 189, 197,		144		183	94510	217
	253, 277, 279,	88801	140, 143-144	88989P	178, 182-183	94521	117
	285	88802	140, 143-144	88990P	177-178, 181-	94526	117
85300	273	88805	135		183	94527	121
87085	227, 229	88806	139-140, 143-	88991P	178, 182-183	94528	121
87172	269		144	88993	167, 177-178,	94533	291
87246	309	88808	135, 139-140		182-183	94534	99-100, 103-104
87247	217	88809	135, 139-140,	8914	239-240, 315	94535	99-100, 103-104
88064	199-200		143-144			94536	99-100, 103-104

## Part Number Index (continued)

Part Number	Page	Part Number	Page
94537	291	T106955	123-124
94549	139-140, 237, 243	T106957	123-124
94598	152	T106961	123-124
94599	152	T106962	123-124
94600	277	T108075	219
94620	123-124	T108076	219
94621	123-124	T108077	219
94622	123-124	T108403	117
94623	123-124	T108732	203
94624	123-124	T108733	203
94625	123-124	T108734	203
94626	123-124	T111124	219
94632	135, 137	T111608	285
94641	213-214	T111609	285
94643	237	T111610	285
94650	139-140	T111611	285
94690	213-214	T111612	285
94692	213-214	T111613	285
94745P	234, 283	T112560	275
94746	107	T112561	275
94747	123-124, 205- 206	T112563	275
94748	285	T112626	245, 247, 249, 251
94751	157	T113655	295
94752	157	T114022	295
94753	157	T114023	295
94754	157	T114223	227, 229
94756	157	T114678	169-170, 173- 174
94757	157, 295	T115352	243
94758	155		
94759	165, 295		
94760	165, 295		
94761	165		
94762	177-178, 181- 183		
94764	165		
94765	165		
94886	178, 182-183		
94888	177-178, 181- 183		
94889	182-183		
94891	99-100, 103-104		
94892	99-100, 103-104		
94893	99-100, 103-104		
94894	99-100, 103-104		
94902	167		
94903	167		
94904	167		
94905	167		
94918	163		
94931	185-186		
94937	123-124		
94980	149		
9596	273		
9599-S	273		
96008-S	127-128, 131- 132		
96010	135, 137		
97128	205-206, 209- 210, 213-214		
97548	13-14, 21, 37, 53, 69, 85		
97571	21, 37, 53, 69, 85		
97579	25, 41, 73, 89		
97602	21, 37, 53, 69, 85		
97815	17, 25, 33, 41, 49, 57, 65, 73, 81, 89, 97, 234		
97875	21, 25, 37, 41, 53, 57, 69, 73, 85, 89		
97887	13-14, 25, 41, 57, 73, 89		
97890	13-14, 51, 57		
T106954	123-124		

The Part Description Index is an alphabetical index of all part descriptions included in this manual. The index shows what page(s) the part is used on.

- #**
- #1 BOOM TUBE ASSM, W/SYM DECAL...213-214
- #1 BOOM TUBE ASSY,W/WORD DECAL.....213-214
- 6**
- 6' TRI-ENT RAIL W/DECALS A/SOA.....283
- 6' TRI-ENT RAIL W/DECALS ANSI.....283
- 6' TRI-ENT RAIL W/DECALS AUSTR.....283
- 8**
- 8' TRI-ENT RAIL W/DECALS A/SOA.....283
- 8' TRI-ENT RAIL W/DECALS ANSI.....283
- 8' TRI-ENT RAIL W/DECALS AUSTR.....283
- 8' TRI-ENT RAIL W/DECALS CE/UK.....283
- A**
- ACC,AIR PRE-CLEANER,DEUTZ T2.....293
- ACC,AIR PRE-CLEANER,PERKINS T2.....293
- ACCESS PBOX HEATER ALC500/1000.....243
- ACCUMULATOR,10CC,1000PSI,#6SAE...151-152
- ADAPTER, 1/8 X 1/4 F3H6-S.....287
- ADAPTER,140130-4-4.....287
- ADAPTER,140139-8-6.....287
- ADAPTER,MIXER/THROTTLE BODY.....191
- ADAPTER,NPT 6-4.....287
- ADJ ROD, LH/RH, 3/8-24.....149
- ADJUSTABLE STRAP ASSY.....315
- AIR CLEANER,FORD,T3.....167, 189, 195
- AIR CLEANER,NELSON.....199-200
- AIR CLEANER,NELSON\*\*\*.....169-170, 173-174, 177-178, 181-183
- AIR INTAKE TUBE ASSY.....173-174
- ALARM,DESCENT.....117, 271
- ALARM,WARBLE TONE 5-30 VDC\*\*\*.....127-128, 131-132, 239-240
- ALARM,INTERMITTENT TONE.24V.....271
- ALTERNATOR.....309
- ALTERNATOR, DEUTZ F3L10/F4L10\*.....169-170, 173-174
- ALTERNATOR, DEUTZ,BF4L2011\*\*\*.....199-200
- ALTERNATOR, GM3.0L ENGINE.....167
- ALTERNATOR, PERKINS (54555).....177-178, 181-183
- ALTERNATOR,65 AMP,PERKINS 404.....181-183
- ALTERNATOR,DSG-423.....195
- ALTERNATOR,LRG-423 RE-BUILT\*.....185-186
- A N G L E , R E L A Y**
- MNT,W/NUTSERTS,PNT.....135, 137
- ARM SPACER\*\*\*.....205-206
- ASSEMBLY, INSIDE HOSE GUARD.....115
- ASSEMBLY, OUTSIDE HOSE GUARD.....115
- ASSEMBLY, TRAX UNIT, LEFT.....111
- ASSEMBLY, TRAX UNIT, RIGHT.....111
- ASSEMBLY,BOOM TUBE #1 S60/65.....209-210, 213-214
- ASSEMBLY,BOOM TUBE #3 S60/65.....213-214
- ASSEMBLY,FOOT.....233-234
- ASSEMBLY,FOOT SWITCH.....234
- ASSM, GEN. ONLY, 110V, 60HZ.....285
- ASSY, CIRCUIT BREAKER 15A.....127-128, 131-132
- ASSY, CIRCUIT BREAKER 20A.....128, 131-132
- ASSY, LONG LINK LT W/BEARINGS.....205-206, 209-210
- ASSY, LONG LINK RT W/BEARINGS.....205-206, 209-210
- ASSY, TERMINAL RAIL.....137
- ASSY,BLEED LINE (139367).....309
- ASSY,FOUR LINK CABLE TRACK\*\*\*.....227, 229
- ASSY,LS,LOAD SENSE,38.5 IN.....143-144
- ASSY,PCB ALC500 S60 LEG V202.....243
- AUX TOP RAIL,6'(1.25")SERVICE.....273
- AUX TOP RAIL,6',SWG GT, SRV.....273
- AUX TOP RAIL,6FT,PTD.....273
- AUX TOP RAIL,8'(1.25")SERVICE.....273
- AUX TOP RAIL,8',SWG GT, SRV.....273
- AUX TOP RAIL,8FT,PTD.....273
- AXLE ASSEMBLY,S60 FRONT.....100, 104
- B**
- BACKING PLATE.....279
- BACKING PLATE, HOSE BLOCK, JIB.....231
- BACKING PLATE,#1 BOTTOM.....279
- BACKING PLATE,#1 TOP.....279
- BACKING PLATE,#2 TOP.....279
- BAFFLE,AIR INTAKE S60.....199-200
- BAFFLE,AIR INTAKE,FORD PNTD.....123-124
- BAFFLE,AIR INTAKE,PAINTED.....123-124
- BAFFLE,DEUTZ AIR INTAKE PAINTD.....169-170
- BAFFLE,PERKINS ENGINE PAINTED.....182-183
- BAFFLE,RADIATOR,FORD.....197
- BALL JOINT, 3/8-24 FEMALE.....149
- BALL JOINT, 3/8-24 LEFT HAND.....149
- BALL STUD\*\*.....121
- BASE, W/1 N.O. CONTACTS\*\*\*.....239-240
- BASE,W/2 NC CONTACTS\*\*\*.....127-128
- BASE,W/3 NC CONTACTS.....239-240
- BATTERY CABLE,NEGATIVE,BLACK.....140, 143-144
- BATTERY CABLE,POSITIVE,RED.....140, 143-144
- BATTERY HOLD DOWN,GROUP 31.....117
- BATTERY,12V,1000 CCA GRP 31.....117
- BEARING, SPL BOGEY (128918).....115
- BEARING,1.00IDX1.25ODX1.00L.....99-100, 103-104
- BEARING,1.25IDX1.50X1.25L.....213-214, 219
- BEARING,1.25IDX1.50DX1.00L.....206, 210, 213-214, 219
- BEARING,1.5IDX1.75ODX1.5L.....100, 104, 111
- BEARING,2.00IDX2.25ODX2.00L.....100, 104, 107, 113
- BEARING,2.0IDX2.25ODX1.50L.....205-206, 209-210, 213-214
- BEARING,2.25IDX2.50ODX1.50L\*.....209-210
- BEARING,BALL DRIVE SHAFT..99-100, 103-104, 107
- BEARING,FL, 1.25X1.5X2.13.....219
- BEARING,FL,0.75ID X 1 OD X .49.....253
- BEARING,FL,1.25IDX1.41ODX1.50L.....219
- BEARING,FL,1.25IDX1.50ODX1.50L.....219
- BEARING,FL,1.25IDX1.50DX1.25L.....123-124, 170, 173-174, 197, 219
- BEARING,FL,2.00IDX2.25ODX1.50L.....205-206, 209-210
- BEARING,FL,2.25IDX2.50ODX1.63L.....206, 210, 213-214
- BEARING,GARLOCK,12FDU12.....237, 253
- BEARING,INNER (88883).....99-100, 103-104
- BEARING,MOTOR.....285
- BEARING,OUTER (88883).....99-100, 103-104
- BEARING,POLYGON,20DU12.....219
- BEARING,TURNABLE ROTATION.....107
- BELL HOUSING.....167
- BELL HOUSING KIT, FORD 425EFI.....186
- BELL HOUSING KIT,FORD DSG423.....195
- BELLCRANK W/BEARINGS(S60).....219
- BELLOWS,CYLINDER LIFT.....291
- BELLOWS,CYLINDER,PLAT LEVEL.....291
- BELLOWS,MASTER CYLINDER.....291
- BELT, (NAPA 9360).....277
- BELT, V (PERKINS 404).....181-183
- BELT,AX33\*\*\*.....277
- BELT,AX34\*\*\*.....277
- BELT,AX35.....277
- BELT,SERPENTINE,DSG-423.....193
- BELT,SERPENTINE,LRG425 EFI\*\*\*...185-186
- BELT,TIMING,FORD LRG423/425EFI.....185-186
- BELT,V, DEUTZ DIESEL ENGINE.....169-170, 173-174
- BELT-FAN, GM 3.0L ENGINE.....167
- BIT,TORX SOCKET,SECURITY.....297
- BLANKET,BATTERY.....313
- BLOCK HEATER,FORD DSG-423.....313
- BOLT,CARRIAGE,1/4-20 X .75,G2.....279, 281
- BOLT,CARRIAGE,1/4-20 X 1.00,G2.....231
- BOLT,CARRIAGE,1/4-20 X 2.75,G2.....231
- BOLT,CARRIAGE,3/8-16 X 1.50,G5.....277
- BOLT,EXHAUST,PERKINS(54555).....177-178, 181-183
- BOLT,FLANGE,3/4-10X1.5"GR8 PLT.....115
- BOLT,FLANGE,3/4-10X1.75GR8 PLT.....115
- BOLT,FLANGE,3/4-10X4.5"GR8 PLT.....115
- BOLT,FLANGE,5/16-18X.50 GR5.....115
- BOLT,FLANGE,5/8-11X1.5"GR8 PLT.....115
- BOLT,HHC,1-14X2.0"GR8 PLT.....115
- BOOT GUARD, JOYSTICK 62390/91.....245, 249
- BOOT,ROCKER JOYSTICK 75565.....249, 251
- BOOT,DTSCH,DTP4-BT.....213-214
- BOOT,JOYSTICK.....245, 247, 249, 251
- BOOT,PLUG 4 WAY.....205-206, 209-210, 233-234
- BOOT,TOGGLE SWITCH,SHORT\*...127-128, 131-132, 239-240, 301, 303, 305, 307
- BOTTLE,COOLANT RECOVERY,3.7\*\*\*.....167, 177-178, 181-183, 185-186, 197
- BOX,INSTRUCTION STORAGE.....234
- BRACKET BASE ASSEMBLY.....315
- BRACKET, AIRCRAFT MAGNET MOUNT.....301, 303, 305
- BRACKET, EXTEND SHEAVE.....217
- BRACKET, OSCILLATE VALVE.....109
- BRACKET,1K OHM 10-TURN POT.....135, 137

## Part Description Index (continued)

BRACKET,ACTUATOR MOUNTING.....169-170	ARM	CAP ASSY,COOLANT BOTTLE***.....167, 177-178, 181-183, 185-186, 197	CLAMP,JIB HOSE/CABLE.....231
BRACKET,AIR CLEANER MOUNT PNTD..189		CAP, OIL FILLER.....182-183	CLAMP,LINK,LH.....210
BRACKET,CABLE TRACK,FIXED END*...227, 229		CAP,520112-8.....174	CLAMP,LINK,LH WELD WIRE.....210
BRACKET,CABLE TRACK,MOVING END.....227, 229		CAP,COOLANT 3/4.....195	CLAMP,LINK,RH.....210
BRACKET,EXTEND SHEAVE.....217		CAP,DIAGNOSTIC NIPPLE.....255-256, 259, 261, 265	CLAMP,LINK,WELD CABLE/HOSE.....295
BRACKET,FILTER MOUNT.....124		CAP,EPDM,5/16".....191, 195	CLAMP,MUFFLER.....167, 177-178, 182-183
BRACKET,GENERATOR12.5 KW,PNTD*...295		CAP,EXTENSION.....213-214	CLAMP,MUFFLER, 2.50 INCH.....195, 200
BRACKET,HOSE CLAMP.....219, 231		CAP,FUEL,DIESEL,1/8"VENT(GRN).....119	CLAMP,MUFFLER,1-7/8 IN.....189, 195
BRACKET,HOSE ROUTING,LH,PTD.....103-104		CAP,FUEL,GAS,1/8"VENT(RED).....119	CLAMP,PLASTIC HOSE***.....227
BRACKET,HOSE ROUTING,RH,PNTD.....103-104		CAP,FUEL,GASOLINE 3.5PSI.....119	CLAMP,RUB CUSH,0.75,#12 X 3/8*...195, 225
BRACKET,MAP SENSOR,PAINTED.....185-186		CAP,OIL FILLER,FORD DSG 423.....193	CLAMP,RUBBER CUSHIONED-2 5/32.....119
BRACKET,PLATFORM HEATER OPT.....243		CAP,PLASTIC,2.5 ID.....293	CLAMP,SPRING,1/2".....191
BRACKET,POWER TO PLAT TBOX,PNT...297		CAP,RADIATOR,PERKINS/FORD.....167, 178, 182-183	CLAMP,SPRING,7/16".....191, 195
BRACKET,POWER TO PLAT, DOM.....275		CAP-DISTRIBUTOR, GM 3.0L.....167	CLAMP,TWO HOSE.....219, 231
BRACKET,POWER TO PLAT, UK.....275		CAPACITOR,TIME DELAY.....139-140, 143-144	CLAMP,TWO HOSE,ARCTIC.....219
B R A C K E T , R E G U L A T O R SUPPORT,PNTD.....197		CAST, LIMITER STOP BRKT L.....115	CLEVIS YOKE-1/4-28,PLTD W/PIN...109, 170, 174, 178, 181-183, 199-200
BRACKET,RELAY & RESISTOR.....135, 137		CAST, LIMITER STOP BRKT R.....115	CLEVIS, CABLE TRANSDUCER.....223
BRACKET,RELAY BLOCK MOUNT.....186, 193		CATCH,GRND.CTRL.BOX COVER.....289	CLIP,HAIR PIN .243 X 5.25.....317
B R A C K E T , S O L E N . M O U N T BRACE,PNTD.....174		CHAIN, 2/0, 11" LONG.....301, 305	CLIP,SPRING,1/4-20 BLACK.....210
BRACKET,SOLENOID MOUNT PAINT.....170, 174		CHAIN,NO.2 (11 LINKS).....303, 307	COIL ASSEMBLY.....191
BRACKET,TENSIONER.....193		CIRCUIT BKR 10A TYPE 2 METAL.....135, 137	COIL, 10V DC (D10, 20 WATT).....151-152
BRACKET,V275S WELD LEADS.....297		CIRCUIT BREAKER, 30 AMP.....277	COIL, 12V, 19972/21623/29069.....151-152
BRACKET,WELDER MOUNT SUPPORT.....297		CIRCUIT BREAKER, 15 AMP.....277	COIL, ELECTRONIC IGN., FORD.....189
BRACKET,WELDER SUPPORT,PNT.....297		CIRCUIT BREAKER,20A,SINGLE PH.....295	COIL,10V.....151-152
BRACKET,WORK LIGHT MOUNT 5/16".....273		CIRCUIT BREAKER,50A,3P.....295	COIL,10V DC,DEUTCH W/DIODE***.....161
BRAKE KIT (88886)***.....100, 103-104, 107		CLAMP TOP,HOSE ROUTING PAINTED.....103-104	COIL,12V.....152
BRAKE PORT HARDLINE.....123-124		CLAMP, ARCTIC JIB HOSE.....219	COIL,12V,DO1 VALVE.....285
BREATHER CAP,RFM165.....117		CLAMP, CABLE TRACK, SUPPORT.....229	COIL,12VDC #8 DTSCH IP69 ECOIL.....161
BRKT,AIR CLEANER ORIENTATION**.....169-170, 173-174, 177-178, 181-183, 195		CLAMP, CABLE, PRIM.....229	COIL,DUAL,12V DEUT,49CC PUMP**.....163
BRUSH 3/8 X 1/4 X 15/16(36928).....285		CLAMP, HOSE, PRIM.....229	COIL,GREEN W/ 2 PIN CONNECTOR*.....151-152
BULB,WORKLIGHT,12V 35W.....273		CLAMP, HYD WELD, AIR, OPT.....275	COIL,VALVE,PROPORTIONAL***.....151-152
BUMPER, PLASTIC, 1.25 O.D.....301, 303, 305, 307		CLAMP, HYD, WELD, AIR, OPT.....295	COIL-10V DC***.....165
BUMPER,BATTERY BOX & RAILS.....273		CLAMP, PULL TUBE.....210, 229	COLD ACCESSORIES, DEUTZ.....313
BUMPER,RUBBER***.....237		CLAMP, TIMING LINK.....210	COLD ACCESSORIES, FORD.....313
BUMPER,RUBBER,.75 X .50H,STUD.....289		CLAMP, WELD LEADS, AIR, OPT.....295	COLD ACCESSORIES, PERKINS.....313
BUMPER,RUBBER-1 X 1.25.....117, 121		CLAMP,0.50,#8 X 1/4,RUB CUSH.....303, 307	COLLAR,JOYSTICK,CENTER.....247, 251
BUSHING,FUEL TANK FITTING (SM).....119		CLAMP,1.00,#16 X 1/4,RUB CUSH.....297	COMPR.LINK,MACHINED,GND CONTR*..219
BUTTON,PUSH,BLACK W/SEAL***.....239-240		CLAMP,1.00,#16 X 7/16,RUB CUSH.....200	CONN PLUG 2 WAY ENDCAP DT.....205-206, 209-210
BUTTON,PUSH,RED MUSHROOM HEAD.....127-128, 131-132, 239-240		CLAMP,1.13,#18 X 1/4,RUB CUSH...303, 305, 307	CONN PLUG 4 WAY ENDCAP DT....205-206, 209-210, 233-234
		CLAMP,1.25X.5 RUBBER-CUSHION.....273, 315	CONN RECEP,FLANGED.....243
		CLAMP,1.31,#21 X 3/8,RUB CUSH.....234	CONN, SAE#-1/4" NPT.....295
		CLAMP,1.63,#26 X 3/8,RUB CUSH.....231	CONN,520120-12-10.....309
		CLAMP,1.75,#28 X 3/8,RUB CUSH*.....99-100	CONN,520120-12-16.....255-256
		CLAMP,EXHAUST,2.00 PLATED.....167, 170, 174, 178, 182-183	CONN,520120-16.....255-256, 259, 269
		CLAMP,FORD MUFFLER,PAINTED....185-186	CONN,520120-20.....256
		CLAMP,HOSE,.63.....195	CONN,520120-4***.....255-256, 259, 261, 263, 265, 267
		CLAMP,HOSE,1 EAR,1/2.....119	CONN,520120-4-6***.....256, 261, 265, 317
		CLAMP,HOSE,1.25***.....291	CONN,520120-4-8.....255-256, 265, 309
		CLAMP,HOSE,1.50.....195, 197	CONN,520120-8***.....255-256, 259, 261, 263, 265, 267, 299
		CLAMP,HOSE,1.75.....181-183, 185-186, 291	CONN,520120-8-10.....255-256
		CLAMP,HOSE,2.25" DIA.....177-178	CONN,520120-8-12.....261, 299
		CLAMP,HOSE,2.50***.....189, 195, 293	CONN,520120-8-16.....255-256
		CLAMP,HOSE,2X4,1X6,2X8***.....103-104	CONN,DSCH,BOOT,DT2P-BT.....214
		CLAMP,HOSE,3.00".....167, 173-174, 291	CONN,DSCH,BOOT,DT2S-BT...205-206, 209-210
		CLAMP,HOSE,3.50.....199-200	CONN,LONG,520122-12***.....299
		CLAMP,HOSE,5.00.....291	CONN,PLUG 120 AC/15A DOMESTIC.....275
		CLAMP,HOSE,6.50.....291	CONN,PLUG 24 WAY,DRC SERIES.....131-132
		CLAMP,HOSE,8.50 DIA***.....169-170, 173-174	CONN,PLUG 40 WAY,DRC SERIES.....131-132
		CLAMP,HOSE,SIZE .25 TO .63.....197	CONN,RECEP 120AC/15A DOMESTIC.....275
		CLAMP,JIB HOSE S-65.....219	CONN,RECEP 2 WAY ENDCAP DT.....214

## C

CABLE ASSY, EXTEND SET(PAIR).....217  
 CABLE ASSY, RETRACT SET (PAIR).....217  
 CABLE COVER,JIB PAINTED.....219  
 CABLE COVER,JIB\*\*\*.....219  
 CABLE SQUEEZE CONN .63-.75.....295  
 CABLE SQUEEZE CONN.....127-128, 295  
 CABLE SQUEEZE CONN.,XTRA LRG.....127-128, 277  
 CABLE STAY.....227, 229  
 CABLE STAY,TOP\*\*\*.....227, 229  
 CABLE TRACK GUIDE TRIANGLE...214, 227, 229  
 CABLE TRACK, SX, 49 LINK.....227, 229  
 CABLE TRACK,STEEL 49 LINKS.....214  
 CABLE TRACK,STEEL 49 LINKS\*\*\*...227, 229



- CONN,RECEP 24 WAY,W/FLANGE.....127-128, 131-132  
 CONN,RECEP 4 WAY ENDCAP DT....213-214  
 CONN,RECEP 4 WAY,12-14GA FL\*\*\*.....131-132, 243  
 CONN,RECEP 40 WAY,W/FLANGE....131-132  
 CONN,RECEP 48 WAY,4 X 12.....131-132, 243  
 CONN,SQUEEZE,1/2NPT .38-.50,SM.....127-128, 131-132, 243, 275, 277  
 CONNECTOR, DEUTZ FUEL SHUTOFF\*.....169-170, 173-174  
 CONNECTOR,010102-6-4.....197  
 CONNECTOR,070120-4-8.....309  
 CONNECTOR,520120-20-16.....255-256  
 CONNECTOR,MOLEX 24-WAY.....243  
 CONTACT,N.O.....239-240  
 CONTACT,NC.....127-128, 239-240  
 CONTACTOR,LIMIT SWITCH...205-206, 209-210, 213-214  
 CONTROL BOX COVER,LFT SIDE,PTD....273  
 CONTROL BOX COVER,LID,PTD.....273  
 CONTROL BOX COVER,RT SIDE,PTD.....273  
 CONTROL MODULE,DSG-423.....197  
 CONTROLLER ASSY SCON S60HC.....147  
 CONTROLLER ASSY TCON S60HC.....147  
 CONTROLLER W/O COILS (77788).....163  
 COUNTERWEIGHT,S60 4350LBS.....117  
 COUNTERWEIGHT,S60/65 5500LBS\*\*....117, 147  
 COUPLER,15 TOOTH,FBA,SAE8\*\*\*.....203  
 COUPLER,HUB,15 TOOTH 7/16BOLT\*.....174, 186, 195  
 COUPLER,HUB,15 TOOTH GM 3.0L.....167  
 COUPLER,INSERT.....295, 309  
 COUPLER,SMALL METAL,15T,\*\*\*.....177-178, 182-183  
 COUPLING (106113).....295  
 COUPLING - 1/4 NPT.....115  
 COUPLING, 28MM (106113).....295  
 COVER ASSY W/ SYMBOL DECALS LH...121  
 COVER ASSY W/ WORD DECALS RH...121  
 COVER ASSY W/ WORD DECALS LH.....121  
 COVER ASSY W/ WORD DECALS RH.....121  
 COVER ASSY.W/WORD DECALS LH\*\*\*.....121  
 COVER ASSY.W/WORD DECALS RH\*\*.....121  
 COVER, DUST.....115  
 COVER, FOOT SWITCH, LARGE.....234  
 COVER, JIB HOSES/CABLES.....231  
 COVER, PRIMARY BOOM, PTD.....221  
 COVER, PROTECTIVE, OSCILLATE.....291  
 COVER, REAR AXLE.....113  
 COVER, STRING POT, S60HC.....225  
 COVER, W/DECALS, NONSTEER END\*.....107  
 COVER, WITH DECALS, STEER END\*.....99-100, 103-104  
 COVER,BLANK.....275, 277  
 COVER,CABLE TRACK.....291  
 COVER,CONTROL BOX LEFT SIDE\*\*\*.....273  
 COVER,CONTROL BOX RIGHT SIDE\*\*.....273  
 COVER,DEBRIS #3 BOOM.....219  
 COVER,FLYWHEEL CASTING...170, 174, 203  
 COVER,FOOT SWITCH.....234  
 COVER,GFCI,HORIZONTAL,WEATHER..275, 295  
 COVER,GFCI,WEATHERPROOF.....277  
 COVER,GRND.CTRL.BOX,PAINTED.....289  
 COVER,HUB (88883).....99-100, 103-104  
 COVER,LH,BOOM SECTION #1.....214  
 COVER,PRIMARY BOOM.....217  
 COVER,PRIMARY BOOM,PAINTED.....217  
 COVER,PROTECTIVE,JIB CYLINDER.....291  
 COVER,PROTECTIVE,STEERING.....291  
 COVER,REAR AXLE.....107  
 COVER,RETRACT SHEAVE,PAINTED.....213-214  
 COVER,RH,BOOM SECTION #1.....214  
 COVER,WEATHERPROOF 3-PHASE.....297  
 CYLINDER, LIFT, S60HC.....149, 209-210  
 CYLINDER, STEER.....111  
 CYLINDER,BOOM EXTENSION.....213-214  
 CYLINDER,JIB (STICK BOOMS).....219  
 CYLINDER,LIFT,S60\*\*\*.....205-206, 209-210  
 CYLINDER,MASTER.....205-206, 209-210  
 CYLINDER,MASTER,S60,S65..205-206, 209-210  
 CYLINDER,OSCILLATE,S60.....100, 104  
 CYLINDER,PLATFORM LEVEL\*\*\*.....219  
 CYLINDER,STEERING\*\*\*.....99-100, 103-104
- ### D
- DECAL FAULT CODE.....25, 41, 57, 73, 89  
 DECAL KIT,SYMBOL,S60.....17  
 DECAL KIT,WORDS,S60/65.....13-14  
 DECAL PLATE W/ SYMBOL DECALS.....234  
 DECAL PLATE W/DECALS,S80/85 2K.....234  
 DECAL, COSM,GENIE S65 TRAX.....87, 95  
 DECAL, ENGINE SPEC, PERKINS.....13-14, 21, 37, 53, 69, 85  
 DECAL, PATCH, GEN,ALC-500.....13-14, 17, 25, 33, 41, 49, 57, 65, 73, 81, 89, 97  
 DECAL, WHEEL LOAD S60TRAX.....67, 69, 75, 77  
 DECAL, WHEEL LOAD S65 TRAX.....83, 85, 91, 93  
 DECAL,ANNUAL INSP\*\*\*.....19, 35, 51, 67, 83  
 DECAL,ARROW BLUE.....14, 17, 21, 29, 37, 45, 53, 61, 69, 77, 85, 93  
 DECAL,ARROW YELLOW LRG 9".....13-14, 17, 19, 27, 35, 43, 51, 59, 67, 75, 83, 91  
 DECAL,CAUTION,READ INST.....115  
 DECAL,CAUTION,TOWING SPEED.....21, 37, 53, 69, 85  
 DECAL,CHEVRON RANDO HD.....13-14, 19, 35, 51, 67, 83  
 DECAL,COMPARTMENT ACCESS.....13-14, 21, 37, 53, 69, 85  
 DECAL,COSM, S60 TRAX.....69, 77  
 DECAL,COSM, S65 TRAX.....85, 93  
 DECAL,COSM,GENIE S60 TRAX.....71, 79  
 DECAL,COSMETIC,4 X 2.....13-14, 17, 19, 27, 35, 43, 51, 59, 67, 75, 83, 91  
 DECAL,COSMETIC,4 X 4.....13-14, 17, 19, 27, 35, 43, 51, 59, 67, 75, 83, 91  
 DECAL,COSMETIC,GENIE S-60....13-14, 17, 23, 31  
 DECAL,COSMETIC,GENIE S-60HC.....55, 63  
 DECAL,COSMETIC,GENIE S65.....13-14, 17, 39, 47  
 DECAL,COSMETIC,S60.....14, 17, 21, 29, 53, 61  
 DECAL,COSMETIC,S65.....14, 17, 37, 45  
 DECAL,DANGER DO NOT ALTER SWTC.....13-14, 23, 39, 55, 71, 87  
 DECAL,DANGER TIP OVER TRAX.....67, 69, 83, 85  
 DECAL,DANGER,BATTERY SAFETY\*\*\*.....19, 35, 51, 67, 83  
 DECAL,DANGER,ELEC.HAZ.STAY CLR....13-14, 17, 27, 29, 43, 45, 51, 53, 59, 61, 75, 77, 91, 93  
 DECAL,DANGER,ELECT HAZARD\*\*\*.....19, 21, 35, 37, 67, 69, 83, 85  
 DECAL,DANGER,GEN SAFETY RULES....13-14, 51, 57  
 DECAL,DANGER,GENERAL SAFETY.....19, 25, 35, 41, 67, 73, 83, 89  
 DECAL,DANGER,HI-FLOAT TIRE 60\*.....13-14, 19, 21, 35, 37, 51, 53  
 DECAL,DANGER,HIGH VOLTAGE.....21, 25, 37, 41, 53, 57, 69, 73, 85, 89, 295, 297  
 DECAL,DANGER,MAX LOAD 227 KG.....17  
 DECAL,DANGER,MAX LOAD 340 KG.....17, 33, 49, 81, 97  
 DECAL,DANGER,MAX LOAD S60HCSYM...65  
 DECAL,DANGER,MAX SIDE FRC,667N.....17, 33, 49, 65, 81, 97  
 DECAL,DANGER,NO SMOKING....19, 35, 51, 67, 83  
 DECAL,DANGER,NO SMOKING\*\*\*.....13-14, 17  
 DECAL,DANGER,SIDE FRC 400N.....17, 33, 49, 65, 81, 97  
 DECAL,DANGER,TILT ALARM.....57  
 DECAL,DANGER,TILT ALARM\*\*\*.....13-14  
 DECAL,DANGER,TIP OVER,PLAT.....25, 41, 57, 73, 89  
 DECAL,DANGER,TIP-OVER,HI-CAP.....13-14  
 DECAL,DANGER,TIP-OVER,WELDER\*\*....25, 41, 73, 89  
 DECAL,DANGER,TIPOVER,TILT....25, 41, 73, 89  
 DECAL,DANGER,TIPOVER,TILT,SYM.....33, 49, 81, 97  
 DECAL,DANGER,WELDER TIP HAZARD...57  
 DECAL,DANGER/LABEL,TIRE SPECS.....13-14, 19, 21, 35, 37, 51, 53  
 DECAL,DIESEL.....14, 17, 19, 27, 35, 43, 51, 59, 67, 75, 83, 91  
 DECAL,DRIVE ENABLE PATCH.....17, 33, 49, 65, 81, 97  
 DECAL,ENGINE SPEC,DEUTZ 2011...13-14, 21, 37, 53, 69, 85  
 DECAL,ENGINE SPEC,DEUTZ,TD2011....13-14, 21, 37, 53, 69, 85  
 DECAL,ENGINE SPEC,PERKINS\*\*\*.....13-14, 21, 37, 53, 69, 85  
 DECAL,EXPLOSION HAZARD.....21, 37, 53, 69, 85  
 DECAL,FIRE EXTINGUISHER.....25, 41, 57, 73, 89  
 DECAL,FORD ENGINE SPEC DSG423.....13-14, 21, 37, 53, 69, 85  
 DECAL,FUNCTION OVERRIDE....14, 301, 305  
 DECAL,GROUND CONTROL PANEL.....14, 17  
 DECAL,GROUND CONTROL PANEL\*\*\*.....19, 27, 35, 43, 51, 59, 67, 75, 83, 91  
 DECAL,INSTR,MAX LOAD 750/1250.....57  
 DECAL,INSTR,MAX SIDE FRC,ANSI...13-14, 25, 41, 57, 73, 89  
 DECAL,INSTR,OPER INST.S60HC.....51, 57  
 DECAL,INSTR,SIDE FRC/WIND,AUS.....13-14, 25, 41, 57, 73, 89  
 DECAL,INSTRUCT,FOOTSWITCH OPER.....13-14, 25, 41, 57, 73, 89  
 DECAL,LABEL,105 DB.....27, 43, 59, 75, 91

## Part Description Index (continued)

- DECAL,LABEL,AIRLINE 110 PSI....13-14, 17, 21, 25, 29, 33, 37, 41, 45, 49, 53, 57, 61, 65, 69, 73, 77, 81, 85, 89, 93, 97
- DECAL,LABEL,ASSY INSTALL,I.....115
- DECAL,LABEL,ASSY INSTALL,R.....115
- DECAL,LABEL,BELT ROUTING DSG.....21, 29, 37, 45, 53, 61, 69, 77, 85, 93
- DECAL,LABEL,CONTROLS BATTERY.....19, 35, 51, 67, 83
- DECAL,LABEL,FALL HAZARD\*\*\*...31, 47, 63, 79, 95
- DECAL,LABEL,LIGHTS\*\*\*.....25, 33, 41, 49, 57, 65, 73, 81, 89, 97
- DECAL,LABEL,LIQUID PROPANE.....13-14, 17, 19, 27, 35, 43, 51, 59, 67, 75, 83, 91
- DECAL,LABEL,LOWER MIDRAIL...17, 25, 33, 41, 49, 57, 65, 73, 81, 89, 97, 234
- DECAL,LABEL,MANUAL NOT HERE...13-14, 25, 41, 57, 73, 89
- DECAL,LABEL,MAX CAPACITY\*\*\*.....33, 49, 81, 97
- DECAL,LABEL,NO SMOKING,SYMB...27, 43, 59, 75, 91
- DECAL,LABEL,PATENTS....13-14, 19, 35, 51, 67, 83
- DECAL,LABEL,PETRO CANADA\*\*\*.....19, 35, 51, 67, 83
- DECAL,LABEL,RELAYS,S60&65....19, 35, 51, 67, 83
- DECAL,LABEL,STARTER BATTERY....19, 35, 51, 67, 83
- DECAL,LABEL,TEST\*\*\*.....19, 35, 51, 67, 83
- DECAL,LABEL,TIP OVER LMT SWTCH.....31, 47, 63, 79, 95
- DECAL,LABEL,TIPOVER,TILT AL SY....65
- DECAL,LABEL,TIPOVER,TIRES,SYMB.....27, 29, 43, 45, 59, 61
- DECAL,LABEL,TIPOVER,TRAX,SYMB.....75, 77, 91, 93
- DECAL,LABEL,TIRE PRESS HF S60...17, 27, 29, 43, 45
- DECAL,LABEL,TIRE PRESSURE S60.....17, 27, 29, 43, 45, 59, 61
- DECAL,LABEL,TORQUE.....115
- DECAL,LABEL,TRANSPORT DIAGRAM....19, 21, 27, 29, 35, 37, 43, 45, 51, 53, 59, 61, 67, 69, 75, 77, 83, 85, 91, 93
- DECAL,LABEL,UCON HYDROLUBE....19, 35, 51, 67, 83
- DECAL,LABEL,UNLEADED GAS ONLY.....14, 17, 19, 27, 35, 43, 51, 59, 67, 75, 83, 91
- DECAL,LABEL,WELD LINE INST,SYM.....29, 33, 45, 49, 61, 65, 77, 81, 93, 97
- DECAL,LABEL,WHEEL LOAD S60.....13-14, 17, 19, 21, 27, 29
- DECAL,LABEL,WHEEL LOAD S60HC.....51, 53, 59, 61
- DECAL,LABEL,WHEEL LOAD S65.....13-14, 17, 35, 37, 43, 45
- DECAL,LANYARD ANCHORAGE POINT...13-14, 17, 25, 33, 41, 49, 57, 65, 73, 81, 89, 97
- DECAL,LOW/ULTRA LOW SULFR FUEL...14, 19, 35, 51, 67, 83
- DECAL,NOTICE,DEUTZ ENG SPEC.....13-14
- DECAL,NOTICE,FORD ENG SPECS T2....21, 37, 53, 69, 85
- DECAL,NOTICE,GM 3.0 ENG SPEC....13-14, 21, 37, 53, 69, 85
- DECAL,NOTICE,HAZARDOUS MAT'LS\*....13-14
- DECAL,NOTICE,MAX LOAD 500 LBS.....13-14, 25, 41, 73, 89
- DECAL,NOTICE,MAX LOAD 750 LBS.....13-14, 25, 41, 73, 89
- DECAL,NOTICE,OPER INST.IC\*\*\* .....13-14
- DECAL,NOTICE,OPER INST.S60.....19, 25, 35, 41, 67, 73, 83, 89
- DECAL,NOTICE,SHUTOFF VALVES....19, 35, 51, 67, 83
- DECAL,OPTION CONTROL BOX HEATR.....243
- DECAL,OPTION GENERATOR\*\*\*.....25, 33, 41, 49, 57, 65, 73, 81, 89, 97
- DECAL,PLAT CONTROL PANEL,S60.....13-14, 17
- DECAL,PLAT CONTROL PANEL,S60\*\*.....25, 33, 41, 49, 73, 81, 89, 97
- DECAL,PLATFORM CONTROL PANELHC.....57, 65
- DECAL,POWER TO PLATFORM 115V.....13-14, 17, 21, 25, 29, 33, 37, 41, 45, 49, 53, 57, 61, 65, 69, 73, 77, 81, 85, 89, 93, 97
- DECAL,POWER TO PLATFORM 230V.....13-14, 17, 21, 25, 29, 33, 37, 41, 45, 49, 53, 57, 61, 65, 69, 73, 77, 81, 85, 89, 93, 97
- DECAL,SYMBOL-BATTERY SAFETY.....27, 43, 59, 75, 91
- DECAL,SYMBOL-COMP ACCESS.....17, 29, 45, 61, 77, 93
- DECAL,SYMBOL-READ THE MANUAL.....17, 27, 33, 43, 49, 59, 65, 75, 81, 91, 97
- DECAL,TOWING INSTRUCTIONS.....21, 37, 53, 69, 85
- DECAL,TRIANGLE,BLUE...13-14, 17, 19, 21, 27, 29, 35, 37, 43, 45, 51, 53, 59, 61, 67, 69, 75, 77, 83, 85, 91, 93
- DECAL,TRIANGLE,YELLOW....13-14, 17, 19, 21, 27, 29, 35, 37, 43, 45, 51, 53, 59, 61, 67, 69, 75, 77, 83, 85, 91, 93
- DECAL,WARN,AVOID INJURY.....115
- DECAL,WARN,CRUSH HAZ.....115
- DECAL,WARN,CRUSH HAZARD HAND....13-14, 19, 21, 23, 35, 37, 39, 51, 53, 55, 67, 69, 71, 83, 85, 87
- DECAL,WARN,CRUSH HAZARD PLAT....13-14, 17, 25, 33, 41, 49, 57, 65, 73, 81, 89, 97
- DECAL,WARN,FALL HAZARD.....13-14, 23, 39, 55, 71, 87
- DECAL,WARN,HIGH PRESS.....115
- DECAL,WARN,IMPROPER OPERATION...13-14, 25, 41, 57, 73, 89
- DECAL,WARN,WELD LINE INST.WORD....21, 25, 37, 41, 53, 57, 69, 73, 85, 89
- DECAL,WARNING,CRUSHING HAZARD...17, 27, 29, 31, 43, 45, 47, 59, 61, 63, 75, 77, 79, 91, 93, 95
- DECAL,WARNING,PANEL CRADLE.....25, 41, 57, 73, 89
- D E C A L , W A R N I N G , P I P E CRADLE,BOOM.....25, 41, 57, 73, 89, 273
- DIN RAIL,17".....135, 137
- DIODE,6 AMP,200 PIV,BULK.....169-170, 173-174, 285
- DIPSTICK, FORD DSG 423.....193
- DIPSTICK, OIL (PERKINS 404).....182-183
- DIPSTICK, STRAIGHT SHORT.....182-183
- DIPSTICK,OIL,D2011.....174
- DIPSTICK-F3L1011F (DEUTZ)...174, 199-200
- DISCONNECT KIT (88887).....99-100, 103-104, 107
- DISTRIBUTOR/GM 3.0L ENGINE.....167
- DRIVE COUPLING.....309

**E**

- ELBOW,070220-4-4.....309
- ELBOW,130239-4-4.....185-186, 197
- ELBOW,45 DEGR,RUBBER,2.5" I.D.....167
- ELBOW,45D,520320-12-16.....299
- ELBOW,45D,520320-16.....256
- ELBOW,45D,520320-4.....255-256, 259
- ELBOW,45D,520320-8.....259, 267
- ELBOW,45DEG,520320-8-10.....267
- ELBOW,90 DEG,3/8NPT X 1/2 FNPT.....185-186
- ELBOW,90 DEGR,RUBBER,2.5" I.D.\*.....293
- ELBOW,90 DEGR,RUBBER,MODIFIED\*....167
- ELBOW,90,1/4-18NPT,FEMALE.....115
- ELBOW,90D,520220-16-12.....269, 311
- ELBOW,90D,520220-4-4.....255-256, 259, 265
- ELBOW,90D,520220-4-6\*\*\*.....259, 261, 263
- ELBOW,90D,520220-6.....261, 263
- ELBOW,90DEG, .63 HS X.375 MPT...185-186
- ELBOW,90DEG,1/8MPT-5/16 BARB.....167, 189
- ELBOW,AIR INTAKE,RUBBER.....199-200
- ELBOW,INLET,CUMMINS.....199-200
- ELBOW,SWIVEL NUT 90DEG,-4.....309
- ENCLOSURE BOX, GAUGE OPT,DRILLD.....287
- ENCLOSURE,FG ELEC.,STOCK,7X5X4.....277
- END BOGEY.....115
- END STOP, DIN RAIL,SCREW CLAMP....135, 137
- ENGINE CONTROL MODULE GM.....167
- ENGINE KIT, DEUTZ TD2011L04i.....199-200
- ENGINE KIT,DEUTZ D2011L03i.....173-174, 199-200
- ENGINE MOUNT FOOT,LH PNTD.....189
- ENGINE MOUNT FOOT,RH PNTD.....185-186
- ENGINE PERFORMANCE MODULE T2.....186
- ENGINE TRAY.....203
- ENGINE TRAY ASSY W/BEARINGS.....123-124, 169-170, 173-174, 197
- ENGINE, DEUTZ D2011L03i (SERV).....169-170, 173-174, 199-200
- ENGINE,FORD LRG 425,EFIZ45.....185-186
- EXHAUST MANIFOLD.....177-178, 181-183
- EXHAUST PIPE GASKET.....203
- EXHAUST PIPE,DEUTZ.....170, 174

**F**

- FAN (FORD TIER 3).....193
- FAN KIT ,GM 3.0 ENGINE.....167
- FAN SPACER.....178, 182-183
- FAN, ENGINE (104-22)(404-22).....178, 182-183
- FAN, LSG423/LRG425.....185-186
- FEMALE BULKHEAD CONNECTOR-8.....275
- FILTER ASSY,HIGH PRESS SAE-12\*.....123-124
- FILTER ASSY,INTANK.....117
- FILTER ASY,M PRESS,SAE8,WOIND\*.....123-124
- FILTER ELEMENT,AIR,NOLFF LPG.....167, 189, 195

FILTER INDICATOR-(60334).....124	FORMING, SOLENOID MOUNT***.....199-200	FORMING,RH MUFFLER SUP
FILTER LID,RFM165.....117	FORMING, TRACK BRACE, LH.....227, 229	PAINTED.....185-186
FILTER, FUEL LRG 425/423 EFI.....119	FORMING, TRACK BRACE, RH.....227, 229	FORMING,RIGHT ENGINE SUPPORT.....197
FILTER,AIR CLEANER, SUPERBOOM....199-200	FORMING,8.5' MUFFLER MOUNT.....203	FORMING,SECONDARY SUPPORT.....315
FILTER,AIR***.....169-170, 173-174, 177-178, 181-183	FORMING,AIR CLEANER MOUNT	FORMING,SOLENOID MOUNT.....182-183
FILTER,ELEMENT,30 MIC,75020.....177-178, 182-183	PNTD.....169-170, 173-174, 203	FORMING,SOLENOID MOUNT
FILTER,ELEMENT,BETA(10)=200.....117	FORMING,AIR FIT/WELD STUDPLAT*.....275	PAINTED.....177-178, 182-183, 199-200
FILTER,ELEMENT,BETA(5)=1000.....123-124	FORMING,ANGLE LINKAGE BRACKET.....149	FORMING,SOLENOID MOUNT,PTD.....170
FILTER,FUEL.....119, 167	FORMING,BULKHEAD,LEFT FRONT.....119	FORMING,STRUT,RH RADIATOR
FILTER,FUEL,PERKINS.....182-183	FORMING,BULKHEAD,LEFT REAR.....119	PNTD.....185-186
FILTER,FUEL/WTR SEP, DTZ 1008.....169-170, 173-174, 199-200	FORMING,BULKHEAD,RIGHT.....123-124	FORMING,THROTTLE ARM PAINTED.....199-200
FILTER,OIL,DEUTZ F4L1011F.....169-170, 173-174, 199-200	FORMING,CABLE GUIDE.....234	FORMING,TT LH SIDE COVER PAINT.....289
FILTER,OIL,DEUTZ,REPLACEMENT.....169-170, 173-174, 199-200	FORMING,CAL TOGGLE SWITCH.....147	FORMING,TT RH SIDE COVER PAINT.....289
FILTER,OIL,FORD.....189	FORMING,COVER STOP,PAINT.....121	FORMING,UPPER RAD SUPPORT
FILTER-OIL,GM 3.0L ENGINE.....167	FORMING,COVER STOP,PAINTED.....117	PAIN.....178, 182-183
FITTING,BARBED,STRT,FUEL LINE.....169-170, 173-174	FORMING,DEUTZ AIR INTAKE BAF P.....173-174	FORMING,WIPER GUARD LT.....289
FITTING,BARBED,TEE,FUEL LINE..169-170, 173-174	FORMING,DRIVE ENABLE LIMIT SW.....123-124	FORMING,WIPER GUARD RT.....289
FITTING,CONN,520120-12.....255-256, 259, 261, 263, 267, 269, 299, 311	FORMING,ECM MOUNT PAINTED.....189	FUEL FILTER ASSEMBLY.....182-183
FITTING,CONN,520120-6.....255-256, 259, 261, 263	FORMING,ENGINE BAFFLE PNTD.....185-186	FUEL FILTER W/SEP,DEUTZ,1008.....169-170, 173-174, 199-200
FITTING,CONN,520120-6-8***.....261	FORMING,ENGINE BAFFLE,GM.....167	FUEL INJECTOR FORD DSG423, BK.....191
FITTING,CONN,520120-8-6.....256	FORMING,ENGINE BAFFLE,PERKINS.....178	FUEL INJECTOR FORD DSG423,YL.....191
FITTING,ELBOW,45D,520320-12***.....255-256, 267, 299	FORMING,ENGINE MOUNT.....199-200	FUEL JUMPER HARNESS.....139-140, 143-144
FITTING,ELBOW,45D,520320-4-6**.....259	FORMING,ENGINE MOUNT PAINTED.....203	FUEL PUMP (GM 3.0L).....119, 167
FITTING,ELBOW,90D,520220-8***.....255-256, 299	FORMING,ENGINE MOUNT RH	FUEL PUMP,DSG-423.....119
FITTING,HYDRAULIC,90DEG,O-RING.....174	PAINTE.....177-178, 181-183	FUEL RETURN,DAPCO 18.75.....119
FITTING,ORIFICE,.047.....295, 309	FORMING,ENGINE MOUNT,FL PAINT.....170, 173-174	FUEL RETURN,DAPCO 3/8".....119
FITTING,REDUCER,520123-12-8***.....299	FORMING,ENGINE MOUNT,FL PNT.....170	FUEL RETURN,DAPCO 5/16".....189
FITTING,SAE J2044F X5/16 BARB.....119	FORMING,ENGINE MOUNT,FR.....169-170	FUEL SENSOR ASSY.....119
FITTING,TEE,BRANCH,520433-4.....265	FORMING,ENGINE MOUNT,FR PAINT....169-170, 173-174	FUSE BOX COVER.....193
FITTING,TEE,RUN,SWIVEL520432-4.....259, 261, 263, 265, 267	FORMING,ENGINE MOUNT,LH	FUSE BOX MOUNTING,LEFT.....193
FITTING,TEE,RUN,SWIVEL52043212.....267	PAINTE.....177-178, 181-183	FUSE BOX MOUNTING,RIGHT.....193
FLANGE,GM EXHAUST.....167	FORMING,FAN GUARD PNTD.....185-186	FUSE BOX RELAY STICKER.....193
FLASHTUBE,STRAIGHT,360DEG,BULB....271	FORMING,FAN SHROUD.....197	FUSE,.6AMP,250V,WELDER,V275S.....297
FLASHTUBE,U SHAPED,360DEG,BULB...271	FORMING,FORD GCP MOUNT.....197	FUSE,13 AMP,220V PLUG***.....275
FLATBAR,ALUM,THROTTLE LINKAGE.....181-183	FORMING,FRONT ENGINE MOUNT.....167	
FLEX PIPE,EXHAUST,2.5" DIA.....203	FORMING,GAUGE OPTION BRKT	<b>G</b>
FLEX PLATE (54573)***.....177-178, 182-183	PNTD.....287	GAS STRUT,250 LBS FORCE***.....121
FLEX PLATE,COUPLER (64079).....195	FORMING,GENERATOR MOUNT.....277	GASKET, UK POWER TO PLAT.....275
FLOORING, 6'FT PLATFORM.....233-234	FORMING,GENERATOR MOUNT***.....277	GASKET, WATER PUMP.....185-186
FLOORING, 8'FT PLATFORM.....233-234	FORMING,HEAT SHIELD.....185-186, 195	GASKET,ACTUATOR PLATE.....191
FLOORING,4 FT PLATFORM,PAINTED...233-234	FORMING,HEAT SHIELD,MUFFLER.....200	GASKET,COVER,GFCI,WEATHERPROOF.275
FLOORING,5 FT PLATFORM,PAINTED...233-234	FORMING,HEAT SHLD,HEADER PIPE.....195	G A S K E T , E X H
FLYWHEEL ASSEMBLY,DSG-423 FORD...191	FORMING,HYD SWIVEL BRACKET...123-124	FLANGE-PERKINS54555.....177-178, 181-183, 185-186, 195
FLYWHEEL FLANGE,AUTO STYLE GM.....167	FORMING,LATCH,CTRL BOX LID PTD.....273	GASKET,GBOX,S80/85 2008.....137
FLYWHEEL FLANGE,GREEN PLASTIC.....174	FORMING,LEFT ENGINE SUPPORT.....197	GASKET,GROUND CONTROL BOX.....127-128, 135
FOAM PAD.....315	FORMING,LH MUFFLER SUPPORT	GASKET,MIXER, FORD DSG423.....191
FOOT SWITCH***.....233-234	PNT.....189	GASKET,PLATFORM CONTROL BOX.....243
FORD TIII FAN GUARD W/DECALS.....197	FORMING,LIMIT SWITCH BRACKET.....214	GASKET,RETURN FILTER-77353.....117
FORMING BRKT, WIPER 1 TO 2.....281	FORMING,MUFFLER CLAMP, PAINTED.....189	GASKET,THROTTLE ACTUATOR***.....191
FORMING BRKT, WIPER 2 TO 3.....281	FORMING,MUFFLER MOUNT.....167, 200	GASKET,WATER PUMP.....177-178, 181-183
FORMING, CABLE ANCHOR.....225	FORMING,MUFFLER MOUNT	GASKET-CYLINDER HEAD.....181-183
FORMING, PULLEY KEEPER.....223	PAINTED.....178, 182-183	GASKET-THERMOSTAT HSG.....181-183
FORMING, SENSOR BRACKET.....149	FORMING,OIL COOLER MOUNT.....311	GATE LATCH CASTING--DRILLED.....273
	FORMING,PINION GUARD PAINTED.....289	GAUGE,OIL PRESSURE W/O SENDER.....287
	FORMING,RADIATOR BRACE LEFT.....197	GAUGE,VOLTAGE.....287
	FORMING,RADIATOR SHROUD.....167	GAUGE,WATER TEMP.....287
	FORMING,RADIATOR SUP PNTD.....189	GAUGE-SIGHT,LHA-LGTB***.....117
	FORMING,RADIATOR SUPPORT.....167	GEN,HYD,3000W,110V,60HZ.....285
	FORMING,RADIATOR SUPPORT**.....197	GENERATOR,2500W,HYD 220/50HZ.....285
	FORMING,REAR ENGINE MOUNT.....167, 170	GENERATOR,3000W,220V,50HZ***.....167, 277
	FORMING,REAR ENGINE MOUNT	
	PNT.....170, 173-174	
	FORMING,REGULATOR MOUNT,PTD.....197	

## Part Description Index (continued)

GENERATOR, HYDRA, 25CC, 208V.....309	HARNESS, 12/3, 12V TO PLAT PIG T.....135, 139-140	HEAT SHIELD, ALTERNATOR, FORD.....195
GENERATOR, HYDRA, 25CC, 208V***.....295	HARNESS, 12/3, 12V TO PLAT, JIB.....139-140, 243	HEAT SHIELD, EXHAUST MANIFOLD**.....186
GENERATOR, HYDRO-12KEP-21-3***.....295	HARNESS, 18/19, BOOM CABLE.....243	HEATER, FREEZE PLUG, FORD LRG423...313
GENERATOR, WELD.....167	HARNESS, 18/19, BOOM CBL 1, PIGT.....135, 139-140	HEATER, FREEZE PLUG, PRKINS40422....313
GFCI, 50A, 3PH.....295	HARNESS, 18/19, BOOM CBL 2, PIG T.....135, 139-140	HINGE CASTING.....273
GFI/CIRCUIT BREAKER ASSEMBLY.....295	HARNESS, ALARM PACKAGE.....139-140	HINGE, .375X.120THK., SLOTTED.....121, 123-124
GLOW PLUG, L1011.....169-170, 173-174	HARNESS, BOOM CABLE HIGH CAP.....140, 143-144	HINGE, PLAT CONTROL BOX COVER.....273
GROMMET, 4.00 GRV. X .75 THK.....214	HARNESS, CABLE TENSION PIGTAIL.....135, 139-140	HOOK, BATT HOLD DOWN, 10".....117
GROMMET, RUBBER 3 X .19 X 3.5.....234	HARNESS, DEUTZ ENGINE.....135, 139-140, 143-144	HORN, 12VDC, SPADE TERMINALS***.....117
GROUND CONTROL BOX W/DECAL.....131-132	HARNESS, DRIVE LIGHT ACC.....139-140, 143-144	HOSE ASM-JCAF310-06-41.....163
GROUND CONTROL BOX, W/DECAL.....127-128	HARNESS, ENGINE FORD DSG-423.....191	HOSE ASSEMBLY 3/4" STR-STR.....255-256, 267
GUARD, SEAL.....115	HARNESS, ENGINE W/RELAY BOX T2.....189	HOSE ASSEMBLY 3/8".....261
GUARD, FAN, FORD/PERKINS, PAINTED..177-178, 181-183	HARNESS, ENGINE, GM S60/S65.....135, 139-140, 143-144	HOSE ASSEMBLY, 1/2"***.....275
GUARD, FOOTSWITCH, W/DECAL ALUM...234	HARNESS, EXT/RET PIGTAIL.....135, 139-140, 143-144	HOSE ASSEMBLY, 1/4".....317
GUARD-FAN, DEUTZ ENG, F4L1011F.....169-170	HARNESS, FORD DSG423, S60.....139-140, 143-144	HOSE ASSEMBLY, 1/2, 90FEM, STR FEM.....267
GUIDE, EXT. CABLE BOTTOM.....217	HARNESS, FORD ENGINE, EFI, 2004.....139-140	HOSE ASSY 1", STR FEM, STR FEM.....255-256, 269
GUIDE, EXT. CABLE TOP.....217	HARNESS, FORD LRG 425 EFI*****.....189	HOSE ASSY 1/4, 90 FEM STR FEM.....261
GUIDE, EXT CABLE TOP.....217	HARNESS, FUNCTION MANIFOLD..135, 139-140	HOSE ASSY 1/4, STR FEM, STR BULK.....259, 265
GUIDE, EXT. CABLE, BOTTOM.....217	HARNESS, GBOX & RELAY WIRES DSL.....140	HOSE ASSY 3/8, STR FEM, STR FEM.....255-256, 259, 261, 263
GUIDE, HOSE, FORD.....197	HARNESS, GROUND BOX WIRING.....135, 139-140	HOSE ASSY 3/8, STR FEM, 90D.....259
	HARNESS, HIGH CAPACITY OPTION.....139-140	HOSE ASSY, 1", 90 FEM, STR FEM.....256
	HARNESS, JIB SELECT MANIFOLD.....139-140, 143-144, 243	HOSE ASSY, 1.25", 90 FEM, STR FEM.....255-256
	HARNESS, LINCOLN WELDER***.....139-140, 143-144	HOSE ASSY, 1/2".....255-256, 261, 263, 265
	HARNESS, LOAD SENSE, GBOX.....139-140	HOSE ASSY, 1/2, 90 FEM, STR FEM.....255-256, 261, 267, 299
	HARNESS, LS SAFETY WIRE BREAK.....140	HOSE ASSY, 1/2, STR FEM, STR FEM.....259
	HARNESS, LS, DRIVE ENABLE.....143-144	HOSE ASSY, 1/2, STR FEM, STR FEM*.....299
	HARNESS, LS, OP, CABLE TENSION.....139-140, 213-214	HOSE ASSY, 1/4 STR FEM, STR FEM.....261, 263
	HARNESS, LS, OP, DRIVE ENABLE.....139-140	HOSE ASSY, 1/4, 90 FEM, STR FEM.....255-256, 261, 265, 267
	HARNESS, LS, OP, PRIMARY ANGLE.....139-140, 205-206, 209-210	HOSE ASSY, 1/4, 90 FEM, STR FEM**.....259, 261, 265
	HARNESS, LS, OP, PRIMARY EXT/RET.....139-140, 209-210, 214	HOSE ASSY, 1/4, STR FEM, STR FEM.....255-256, 259
	H A R N E S S , L S , O P , P R I M A R Y VELOCITY.....139-140, 205-206, 209-210	HOSE ASSY, 3/4".....261, 263
	HARNESS, PBOX HI-CAPACITY OPT.....140, 144	HOSE ASSY, 3/4", 45F, STR F.....299
	HARNESS, PBOX JOYSTICKS.....139-140, 143-144	HOSE ASSY, 3/4", 90 FEM, STR FEM.....267
	HARNESS, PBOX WIRING***.....139-140, 143-144	HOSE ASSY, 3/4, 45 FEM, STR MALE.....269, 311
	HARNESS, PERKINS ENGINE..135, 139-140, 143-144	HOSE ASSY, 3/4, 45 FEM, STR FEM**.....299
	HARNESS, POWER TO PLAT PIGTAIL.....139-140, 143-144	HOSE ASSY, 3/4, 90 FEM STR FEM**.....269, 311
	HARNESS, POWER TO PLAT, JIB.....139-140	HOSE ASSY, 3/4, 90 FEM, STR FEM.....255-256, 261, 263, 299
	HARNESS, POWER TO PLAT, NON JIB.....139-140	HOSE ASSY, 3/4, 90 FEM, STR FEM**.....261
	HARNESS, PROX.KILL.....301, 303, 305, 307	HOSE ASSY, 3/4, STR FEM, STR FEM.....255-256, 269
	HARNESS, S60 TURBO DEUTZ SPEC.....139-140, 143-144	HOSE ASSY, 3/8, STR FEM, STR FEM.....261, 263
	HARNESS, WORK LIGHT....139-140, 143-144	HOSE ASSY, LP GAS.....197
	HEAD PIPE WELDMENT.....167	HOSE ASSY, .3/4", 90øFEM, STR FEM.....255-256
		HOSE END, BARB, 1/4 MNPTX5/16, 90.....177-178, 182-183
		HOSE END, BARB, 1/4 MNPTX5/16, ST.....177-178, 182-183
		HOSE GUIDE, JIB.....231
		HOSE, COOLANT BYPASS, DSG423.....191
		HOSE, 1/4 FUEL LINE, SAE 30R7.....169-170, 173-174, 199-200
		HOSE, 2.0"ID X 2.0" LG.....189
		HOSE, 3/4, LP.....185-186, 197

## H

HALF MESH, 8' PLATFORM, LH.....273  
 HALF MESH, 8' PLATFORM, RH\*\*\*.....273  
 HARDWARE KIT, PUMP MOUNT DSG423.....195  
 HARN JOYSTICK ADAPTOR JS100.....245, 247, 249, 251  
 HARN, AC PROTECTION BYPASS.....303, 307  
 HARN, GBOX & RELAY WIRES, FORD.....144  
 HARN, 18/19 CABLE JIB GR&BR.....139-140  
 HARN, 18/19 CABLE JIB GY&BK.....139-140  
 HARN, 18/19 CABLE NJGR&BR.....139-140  
 HARN, 18/19 CABLE NJGY&BK.....139-140  
 HARN, GBOX & RELAY WIRES, DIESEL.....144  
 HARNESS PROGRAM CAN PLUS1.....140, 143-144  
 HARNESS, 12/3 12V TO PLAT JIB.....143-144  
 HARNESS, 12/3 12V TO PLAT NJ.....143-144  
 HARNESS, 12/3, 12V TO PLAT.....139-140, 243  
 HARNESS, 18/19, CABLE JIB.....143-144  
 HARNESS, 18/19, CABLE NJ.....143-144  
 HARNESS, 18/22, CABLE JIB.....143-144  
 HARNESS, 18/22, CABLE NJ.....143-144  
 HARNESS, AC POWER TO PLAT JIB.....143-144  
 HARNESS, AC POWER TO PLAT NJ.....143-144  
 HARNESS, ALARM PACKAGE.....143-144  
 HARNESS, FUNCTION MANIFOLD...143-144  
 HARNESS, GBOX WIRING.....143-144  
 HARNESS, HIGH CAPACITY OPTION.....143-144  
 HARNESS, JUMPER, LOAD SENSE.....143-144  
 HARNESS, LOAD SENSE.....143-144  
 HARNESS, LOAD SENSE, GBOX.....143-144  
 HARNESS, LS, OP, CABLE TENSION.....143-144  
 HARNESS, LS, OP, PRI ANGLE.....143-144  
 HARNESS, LS, OP, PRI, VELOCITY.....143-144  
 HARNESS, LS, OP, PRIMARY.....143-144

- HOSE,5/16 FUEL,SAE 30R7.....174, 199-200  
HOSE,90DEG 2.5" AIR INTAKE.....189  
HOSE,AIR 3/8.....193  
HOSE,AIR CLEANER.....169-170, 173-174  
HOSE,AIR CLEANER TO INTAKE.....177-178, 181-183  
HOSE,AIR INLET.....177-178, 181-183  
HOSE,AIR INTAKE.....195  
HOSE,AIR INTAKE 2.5" I.D.....169-170, 293  
HOSE,AIR,MIXER.....195  
HOSE,COOLANT,REG INTAKE.....197  
HOSE,FUEL,5/16 HIGH PRESSURE\*\*.....119  
HOSE,LOWER RADIATOR.....197  
HOSE,LOWER,RADIATOR,PERKINS.....177-178, 181-183  
HOSE,OVERFLOW,RADIATOR.....197  
HOSE,RETURN,ENGINE.....195  
HOSE,UPPER RADIATOR.....195  
HOSE,UPPER RADIATOR,PERKINS.....178, 182-183  
HOSE,UPPER RADIATOR,Z45.....185-186  
HOUR METER,10-80 VOLTS\*\*\*.....127-128, 131-132  
HOUSING,PUMP MOUNT (54573).....177-178, 182-183  
HOUSING,THERMOSTAT,PERKINS 104.....182-183  
HUB.....115  
HUB,2WD,FRONT\*\*\*.....99-100, 103-104  
HYD.HOSE ASSEMBLY 3000 PSI.....115  
HYDRAULIC TANK ASSEMBLY\*\*\*.....117
- I**
- IDLER BRACKET.....197  
INJECTOR,FUEL(DEUTZ F3L2011F).....174  
ISOLATOR,AIR FILTER MOUNT.....185-186, 197  
ISOLATOR,ENGINE VIBRATION.....167, 169-170, 199-200, 203  
ISOLATOR,ENGINE VIBRATION\*\*\*.....169-170, 173-174, 185-186, 197  
ISOLATOR,VIBRATION,M8 M/M.....197  
ISOLATOR,VIBRATION,M8 MALE/FEM.....182-183
- J**
- J-BOX ASSEMBLY,8X10.....295  
JIB BOOM ASSY W/WORD DECAL.....231  
JOYSTICK W/HARN ADPTR KIT RCKR.....249  
JOYSTICK W/HARN ADPTR, 1 AXIS.....245  
JOYSTICK W/HARN ADPTR, 2 AXIS.....245  
JOYSTICK,1 AXIS ROCKER,DEUTSCH.....251  
JOYSTICK,1 AXIS,DEUTSCH.....247  
JOYSTICK,2 AXIS,DEUTSCH.....247  
JOYSTICK,DUAL AXIS W/KNOB.....247  
JOYSTICK,SINGLE AXIS W/KNOB.....247  
JOYSTICK,SINGLE AXIS W/STEER.....251  
JUMPER COMB, 2-WAY,WIELAND.....135, 137  
JUMPER COMB, 3-WAY,WIELAND.....137  
JUMPER,THROTTLE BODY,FORD 2.5L.....189
- K**
- KEEPER,LATCH (45363).....121  
KEY,SINGLE\*\*\*.....127-128  
KEYS,10 PACK\*\*\*.....127-128  
KEYSWITCH,3 POS. W/KEYS\*\*\*.....127-128, 131-132  
KIT,AUX TOP RAIL SUPPORT.....273
- KIT,CABLE TRACK,S60/65.....227, 229  
KIT,DSG423 COOLANT OUTLET.....191  
KIT,FOOTSWITCH,S40/S60/S80.....233-234  
KIT,GLAND NUT,S60 LIFT CYL.....205-206, 209-210  
KIT,HARDWARE (54573).....177-178, 182-183  
KIT,HEAT GUARD,DEUTZ STARTER.....173-174  
KIT,SEAL,PUMP,1 SECTION.....163  
KIT,SEAL,PUMP,2 SECTION.....163  
KIT,STRAINER REPLACEMENT.....255-256  
KIT,TERMINAL BLOCK.....137  
KIT,VAC CAP REPLC,DSG-423.....191  
KIT,BRAKE SPRING.....123-124  
KIT,CABLE TRACK,S60.....227  
KIT,CABLE TRAK FLAT BAR.....227, 229  
KIT,CHARGE PUMP.....163  
KIT,CHARGE PUMP HOUSING.....163  
KIT,CONTROL BOX COVER.....233-234  
KIT,ELEMENT\*\*.....117  
KIT,EXTEND/RETRACT CABLE,S60.....217  
KIT,FBA STYLE COUPLER,FORD.....186, 195  
KIT,FBA STYLE COUPLER,PERKINS.....177-178, 182-183  
KIT,FBA STYLE COUPLER,SAE8.....174  
KIT,FIELD INSTALL,SWING GATE.....273  
KIT,FITTING,REGULATOR DSG-423.....197  
KIT,FRICITION DISC.....123-124  
KIT,GASKET,UK POWER TO PLAT.....275, 277  
KIT,GEAR PUMP,S60\*\*\*.....163  
KIT,HD WELDER UPGRADE,S60.....295  
KIT,OP SWITCH,DEUTZ.....174  
KIT,PANEL CRADLE,CE.....315  
KIT,PERKINS T2 ENGINE REPLCMNT.....181-183  
KIT,PIN & RING\*\*\*.....227, 229  
KIT,PRIMER BULB.....174  
KIT,PUMP SHAFT SEAL W/INST\*\*\*.....163  
KIT,SEAL,3CC PUMP\*\*\*.....182-183  
KIT,SEAL,PUMP 81103.....163  
KIT,SECOND INTAKE GLOW PLUG.....313  
KIT,SERVICE,S60 PIVOT PIN\*\*\*.....205-206  
KIT,STRAINER REPLACEMENT.....256  
KIT,SWING BRAKE REBUILD.....123-124  
KIT,SWING GATE W/SPRING.....273  
KIT,TRAX,9-BOLT,S60 W/OMNI HUB.....115  
KIT,TRAX,9-BOLT,S60 W/RR HUBS.....115  
KIT,WELD LEADS ASSY,V275S.....297  
KNOB,JOYSTICK,62390/62391.....245, 247  
KNOB,ROCKER JOYSTICK 75565.....249, 251
- L**
- LABEL,SCON SOFTWARE,S60HC.....51  
LABEL,TCON SOFTWARE,S60HC.....51  
LAMP,INDICATOR,RED,14V,1.2W\*\*.....127-128  
LANYARD,PLATFORM CONTROL BOX.....243  
LATCH,FLEXIBLE.....117  
LATCH,GRND.CTRL.BOX COVER.....289  
LATCH,SLIDE,FLUSH MOUNT STYLE.....273  
LENS,AMBER,STROBE,FIREBOLT.....271  
LEVEL SENSOR,LS60,YL,2.5X4.5.....119  
LEVER,GOVERNOR ACTUATOR.....173-174  
LEVER,GOVERNOR ACTUATOR\*\*\*.....199-200  
L E V E R , G O V E R N O R  
ACTUATOR,PTD\*\*\*.....169-170  
LIFT PUMP (FUEL).....182-183
- LIGHT,INDICATOR,RED,14V.....131-132, 239-240  
LIGHT,LED IND. AMBER 12V NH.....127-128  
LIGHT,LED IND. RED 12V NH.....127-128, 131-132, 239-240  
LOAD CELL FLEXURE.....253  
LOAD SUPPORT W/BEARINGS.....237  
LOCK,PLUG 2 WAY,14-18GA.....205-206, 209-210  
LOCK,PLUG 4 WAY,14-18GA.....205-206, 209-210  
LOCK,RECEP 12 WAY,14-18GA.....131-132, 243  
LOCK,RECEP 2 WAY,14-18GA.....214  
LOCK,RECEP 4 WAY,12-14GA.....131-132, 243  
LOCK,RECEP 4 WAY,14-18GA.....213-214, 243  
LOCKNUT,ELEC,1/2".....243, 275, 277  
LOCKNUT,ELECTRIC,1" NPT.....295  
LOCKNUT,ELECTRIC,3/4".....277  
LOCKNUT,FLANGE,5/8-11,GR8.....115  
LOCKOFF,LP,FORD DSG-423.....197  
LOCKRING,RR.....100, 103-104, 107  
LOWER IDLER FORD DSG-423.....193  
LPG MIXER,IMPACO (GM 3.0L).....167  
LUG,STUD/WHEEL (88887).....103-104, 107
- M**
- MACH,PLATE,LOAD SUPPORT.....253  
MACH.MOUNTING BLOCK.....111  
MACH,PLATE,STOP.....253  
MACHINED PIVOT PLATE WELDMENT.....213-214  
MACHINED,LOAD CELL LINK.....253  
MAGNET,NEODYMIUM,.375 X .100.....301, 305  
MALE PIPE THD,1/4" SER,3/8"X18.....275  
MANIFOLD,BRAKE/2 SPD W/QD PLG\*.....123-124  
MANIFOLD,DRIVE OIL DIVERTER\*\*\*.....295  
MANIFOLD,EXHAUST TURBO.....195  
MANIFOLD,FUNCTION.....151-152  
MANIFOLD,GENERATOR.....285  
MANIFOLD,INTAKE FORD DSG-423.....191  
MANIFOLD,JIB SELECT W/QD PLUG\*.....161  
MANIFOLD,ROTATOR,CB\*\*\*.....161  
MANIFOLD,SWING CB & BRAKE.....123-124  
MANIFOLD,TRACTION,4WD\*\*\*.....159  
MANUAL BOX W/DECALS\*\*\*.....234  
MAP SENSOR,DSG-423.....191  
MAP SENSOR,EFI.....185-186  
MEGAJECTOR,FUEL KIT.....189  
MESH,HALF,SWING GATE\*\*\*.....273  
MICROSWITCH,13482 FOOTSWITCH.....233-234  
MIXER,AIR VALVE,TIER II FORD\*\*.....189  
MIXER,LPG,DSG-423.....191  
MODULE,CONTROL,HI AMP.....135, 137  
MODULE,IGNITION/START,12/24V.....135, 137  
MODULE,LOAD SENSE 2007.....135, 137, 243  
MODULE,TIME DELAY ON BREAK 4S.....135, 137  
MOTOR MOUNT.....309  
MOTOR,12VDC,77066.....119  
MOTOR,HYD 12.5KW GEN,21CC\*\*\*.....295  
MOTOR,HYD,25CC FIXED\*\*\*.....295, 309  
MOTOR,PISTON,30CC,4WD\*\*\*.....99-100, 103-104, 107  
MOTOR,PISTON,35CC,2WD\*\*\*.....107

## Part Description Index (continued)

- MOUNT COVER.....309  
MOUNT, AIRCRAFT PROTECTION  
OPT.....301, 305  
MOUNT, STRING POT, S60HC.....225  
MOUNT, SWITCH.....237  
MOUNTING BAND, AIR CLEANER.....199-200  
MOUNTING BAND, MUFFLER, 8.0".....195  
MPT, CPLR, 1/4"SER, 3/8"X18.....275  
MUFFLER, 2.5"INLET/OUTLET.....200  
MUFFLER, 6".....167, 177-178, 182-183  
MUFFLER, CAT/SPARK, DEUTZ.....173-174  
MUFFLER, CATALYTIC.....177-178, 182-183  
MUFFLER, CATALYTIC, 2.5 I/O.....200  
MUFFLER, DEUTZ.....169-170, 173-174  
MUFFLER, SPARK ARREST, 2.5 I/O.....200  
MUFFLER, SPARK ARRESTOR.....167, 177-  
178, 182-183
- N**
- NIPPLE, DIAGNOSTIC, #6 PORT\*\*\*...255-256,  
259, 261  
NIPPLE, DIAGNOSTIC, ORFS, FM, SWIV.....256,  
265  
NIPPLE, STEEL PIPE, 1/4NPTX1 LG.....115  
NIPPLE, STEEL PIPE, 1/4NPTX2.5LG.....115  
NON-STEER AXLE ASSEMBLY.....113  
NON-STEER AXLE ASSEMBLY\*\*.....107  
NUT - PLASTIC, RING FOR ALARMS.....117,  
127-128, 131-132, 239-240, 271  
NUT, CP521-1 VALVE.....285  
NUT, FLANGE, 3/4-16 UNF GR8.....111, 113  
NUT, HEX 5/16X18 GT10.....167  
NUT, BULKHEAD, 520118-4.....259  
NUT, HEX, 1/4-28.....109  
NUT, HEX, 10-24.....174  
NUT, HEX, 5/16-18, GR5.....295  
NUT, HEX, 7/16-14.....277  
NUT, HEX, FLANGE 5/8-18, GRD 8 ZI...99-100,  
103-104, 107  
NUT, HEX, JAM, 3/4-10.....123-124  
NUT, HEX, JAM, 3/8-24.....149  
NUT, HEX, JAM, 3/8-24, LEFT HAND.....149  
NUT, HEX, M8, PLASTIC.....301, 303, 305, 307  
NUT, LOCKING-LG. FLANGE, 5/16-18.....117,  
185-186, 193, 195, 197  
NUT, LOCKING-LRG. FLANGE, 3/8-16.....167,  
197  
NUT, LP NYLOCK, 1/4-20...229, 273, 279, 281,  
283, 289, 305, 307, 315  
NUT, LP NYLOCK, 3/8-16.....182-183, 315  
NUT, LP NYLOCK, 3/8-24.....149  
NUT, NYLOCK, 1-8.....117, 147, 234, 253  
NUT, NYLOCK, 1/2-13.....123-124, 170, 173-  
174, 185-186, 189, 195, 197, 205-206, 209-  
210, 217, 295  
NUT, NYLOCK, 1/4-20.....109, 117, 119, 121,  
123-124, 147, 177-178, 181-183, 185-186,  
189, 193, 195, 213-214, 217, 219, 225, 227,  
229, 231, 234, 285, 295, 301, 303, 305, 307,  
311  
NUT, NYLOCK, 10-24.....109, 199-200, 223, 237  
NUT, NYLOCK, 10-32.....117, 121, 135, 137,  
149, 185-186, 225, 243, 271, 277  
NUT, NYLOCK, 3/4-10.....213-214, 217  
NUT, NYLOCK, 3/8-16.....100, 104, 117, 119,  
123-124, 149, 182-183, 185-186, 189, 195,  
197, 199-200, 203, 219, 227, 229, 231, 234,  
237, 253, 275, 277, 285, 289, 297, 303, 307
- NUT, NYLOCK, 5/16-18.....121, 167, 173-174,  
177-178, 182-183, 203, 234, 297  
NUT, NYLOCK, 5/8-11.....199-200, 203  
NUT, NYLOCK, 6-32.....243  
NUT, NYLOCK, 8-32.....135, 137, 277  
NUT, NYLOCK, M6X1.00.....182-183  
NUT, NYLOCK, M8X1.25.....197  
NUT, SOLENOID.....165, 295  
NUT, SOLENOID VALVE.....151-152  
NUT, SOLENOID, 2POS 3WAY.....151-152  
NUT, STEM, EATON\*\*\*.....163  
NUT-COIL SHORT.....161  
NUT-FLANGE, 8MM (62849).....177-178, 181-  
183  
NUTSERT, 1/4-20, STEEL CAD PLTD.....135,  
137  
NUTSERT, 10-32 STEEL CAD PLTD.....291
- O**
- O-RING, DO1 VALVE.....151-152, 285  
O-RING, FUEL LIFT PUMP.....199-200  
O-RING, ROTATOR MANIFOLD.....161  
O-RING, .070 X .239, VITON 75D.....103-104  
O-RING, .103 X 4.737, VITON, 75D.....99-100,  
103-104, 107  
O-RING, 2-042 N674-70\*\*\*.....163  
O-RING, FILTER ASSY (60334)\*\*\*.....123-124  
O-RING, JOYSTICK, 62390/62391.....245, 249  
O-RING, MIXER, RIBBED, DSG-423.....191  
O-RING, MIXER, SMOOTHED, DSG-423.....191  
O-RING, MOTOR/BRAKE (88921)\*\*\*...123-124  
O-RING, SEAL RING, 1" NPT.....295  
O-RING, SPACER #115\*\*\*.....285  
O-RING, STEM, EATON.....163  
OIL COOLER W/FAN, 12VDC.....311  
OIL DRAIN PLUG, FORD DSG423.....193  
OIL FILTER - PERKINS.....177-178, 181-183  
OIL FILTER, DSG-423.....191  
OIL PAN HEATER, DEUTZ, 120V, 150W.....313  
OIL PRESSURE SWITCH GM 3.0L.....167  
OPT, AIRLINE TO PLATFORM, S60.....275  
OPT, AIRLINE TO PLATFORM, S65.....275  
OPTION, GLAZIER PACKAGE, ANSI.....315  
OPTION, PLATFORM CONTROL COVER...273  
ORFICE, 0.040".....159  
ORFICE DISC, .030, CONE.....295  
ORFICE PLUG, 0.070".....155  
ORFICE, 0.025".....165  
ORFICE, 0.040".....157  
OUTLET, 110V GFCI\*\*\*.....275, 277
- P**
- PAD, REST, 1"THICK, FLANGED.....315  
PADDING, FOAM 3.5"OD X 1.50"ID...301, 303,  
305, 307  
PADDING, FOAM, 3.0"X1.50ID 90DEG.....301,  
303, 305, 307  
PCV VALVE-GM 3.0L ENGINE.....167  
PIN, .50DIAX3.163LG.\*\*\*.....205-206  
PIN, .75DIA X 6.38 LG, 2RING.....253  
PIN, 0.75DIAX5.75LG, CHAMFER.....237  
PIN, 1.25 X 13.25 IN, CHAMFER.....123-124,  
167  
PIN, 1.25DIAX14.45LG, 2HOLE.....219  
PIN, 1.25DIAX3.37LG, 1HOLE.....205-206, 209-  
210  
PIN, 1.25DIAX5.25LG, 1HOLE.....219  
PIN, 1.25DIAX7.00LG, 1HOLE.....219  
PIN, 1.25DIAX7.47LG, 2RING.....219  
PIN, 1.25DIAX7.81LG, 1HOLE.....219  
PIN, 1.25DIAX7.88LG, 1HOLE.....219  
PIN, 1.25DIAX8.42LG, 2RING.....219  
PIN, 1.5 X 5.50 LG.....217  
PIN, 1.50DIAX12.93LG, 2RING.....213-214  
PIN, 1.50DIAX13.43LG, 2RING.....213-214  
PIN, 1.50DIAX3.75LG, 1HOLE.....104  
PIN, 1.50DIAX4.38LG, 1HOLE.....99-100  
PIN, 1.50DIAX7.88LG, THREADED.....99-100  
PIN, 1.50DIAX9.38LG, 1HOLE.....100, 104  
PIN, 2 X 5.75 LG.....205-206, 209-210  
PIN, 2.00DIAX11.18LG, 2RING...205-206, 209-  
210  
PIN, 2.00DIAX20.88LG, CHAMFER.....107  
PIN, 2.00DIAX23.13LG, CHAMFER.....100, 104  
PIN, 2.00DIAX24.00LG, CHAMFER\*\*\*.....205-  
206, 209-210  
PIN, 2.25DIAX18.75LG, CHAMFER.....209-210  
PIN, 2.25DIAX19.25LG, CHAMFER.....205-206,  
209-210  
PIN, CLEVIS, 1 X 2.25 LG.....217  
PIN, CLEVIS, 1 X 2.5 LG.....99-100, 103-104,  
213-214  
PIN, CLEVIS, 1.25 X 5.0, ZINC.....317  
PIN, CLEVIS, 1.25 X 6.0, ZINC.....317  
PIN, COTTER, .156 X 1.75.....217, 227, 229  
PIN, GROOVE/HOLE, 1.50 DIA X 4.375.....100,  
104  
PIN, LOCK, SHORT\*\*\*.....273  
PIN, ROLL, SST, .25 X 2.25.....205-206  
PIN, STORAGE, TOW PACKAGE.....317  
PINCH GUARD RAIL, 6' PLATFORM.....273  
PINCH GUARD RAIL, 8' PLATFORM\*\*.....273  
PIPE CRADLE ASSY, SERV (ONE)\*\*.....273  
PIPE CRADLE, SET \*\*.....273  
PIPE, COOLANT RETURN, FORD 2.3L.....195  
PLAT ASSEMBLY, 4FT, ASIA/S AM.....233-234  
PLAT ASSEMBLY, 4FT, AUSTRALIA.....233-234  
PLAT ASSEMBLY, 5FT, ASIA/S AM.....233-234  
PLAT ASSEMBLY, 5FT, AUSTRALIA.....233-234  
PLAT ASSEMBLY, 6FT, ASIA/S AM.....233-234  
PLAT ASSEMBLY, 8FT, ASIA/S AM.....233-234  
PLAT ASSY, 3 ENTRY 8' CE/UK/UK.....283  
PLAT ASSY, COMP, 4', AUSTRALIA.....233-  
234  
PLAT ASSY, COMP, 4', CE/UK/UK.....233-234  
PLAT ASSY, COMP, 5', AUSTRALIA.....233-  
234  
PLAT ASSY, COMP, 5', CE/UK/UK.....233-234  
PLAT ASSY, COMP, 6', AUSTRALIA.....233-  
234  
PLAT ASSY, COMP, 6', CE/UK/UK.....233-234  
PLAT ASSY, COMP, 8', AUSTRALIA.....233-  
234  
PLAT ASSY, COMP, 8', CE/UK/UK.....233-234  
PLAT ASSY, 3 ENTRY 6', AUSTRALIA.....283  
PLAT ASSY, 3 ENTRY 6' ASIA/SO.AM.....283  
PLAT ASSY, 3 ENTRY 8', AUSTRALIA.....283  
PLAT ASSY, 3 ENTRY 8' ASIA/SO.AM.....283  
PLAT ASSY, 8 FT, SERV, S40/60/80.....233-234  
PLAT ASSY, COMP, 4', ASIA/SO. AM.....233-  
234  
PLAT ASSY, COMP, 5', ASIA/SO. AM.....233-  
234  
PLAT ASSY, COMP, 6', ASIA/SO. AM.....233-  
234  
PLAT ASSY, COMP, 8', ASIA/SO. AM.....233-  
234



## Part Description Index (continued)

SCREW,HHC,1/2-13 X 1.5.....100, 104, 163, 200, 205-206, 209-210	SCREW,HHC,5/8-11 X 3.5 GRD.8.....199-200, 203	SEAL KIT, 15K ROTATOR.....253
SCREW,HHC,1/2-13 X 1.5 GRD 8.....217	SCREW,HHC,5/8-11 X 4.00 GR8 BO.....107, 123-124	SEAL KIT, APU.....119
SCREW,HHC,1/2-13 X 1.75.....309	SCREW,HHC,7/16-14 X 1.25.....107	SEAL KIT, PROPORTIONAL VALVE.....152
SCREW,HHC,1/2-13 X 1.75 GRD 8..123-124, 205-206	SCREW,HHC,7/16-14 X 1.75.....277	SEAL KIT, SOLENOID VALVE.....151-152
SCREW,HHC,1/2-13 X 2 GR5...123-124, 189, 195	SCREW,HHC,M10 X 1.25 X 30MM**.....185-186	SEAL KIT, VALVE.....151-152, 155, 159
SCREW,HHC,1/2-13 X 2.5,GR5.....295	SCREW,HHC,M10 X 1.5 X70,GR 8.8.....170, 174, 200	SEAL KIT, VALVE, #10.....151-152, 155
SCREW,HHC,1/2-13 X 2.75.....109	SCREW,HHC,M10 X 30MM,.....170, 174, 309	SEAL KIT, VALVE, #4.....151-152
SCREW,HHC,1/2-13 X 3...170, 173-174, 181-183, 185-186, 197	SCREW,HHC,M10 X 40MM,GRD8.....195	SEAL KIT,11 TOOTH PUMP***.....163
SCREW,HHC,1/2-13 X 4.5,GRD.8.....205-206, 209-210	SCREW,HHC,M10 X 55MM,GRD 8.8.....197	SEAL KIT,15K ROTATOR.....253
SCREW,HHC,1/4-20 X .5.....99-100, 103-104, 135, 137, 221	SCREW,HHC,M12 X 45.....177-178, 182-183	SEAL KIT,8-PORT SWIVEL.....123-124
SCREW,HHC,1/4-20 X .625.....239-240, 315	SCREW,HHC,M14 X 1.5X40MM,GR8.8.....177-178, 181-183, 277	SEAL KIT,8K ROTATOR***.....219
SCREW,HHC,1/4-20 X .75.....107, 117, 119, 121, 124, 127-128, 131-132, 177-178, 193, 214, 217, 219, 223, 225, 227, 229, 231, 234, 273, 283, 303, 307	SCREW,HHC,M14 X 40MM,GR 8.8..169-170, 173-174, 200, 203	SEAL KIT,CYL,S45 MASTER(81694).....205-206, 209-210
SCREW,HHC,1/4-20 X 1...119, 123-124, 181-183, 185-186, 189, 195, 214, 219, 221, 225, 237, 295, 301, 303, 305, 307, 311	SCREW,HHC,M6 X 20MM,GR8.8.....189, 199-200	SEAL KIT,CYL,S65 (63213).....219
SCREW,HHC,1/4-20 X 1.25.....119, 121, 177-178, 182-183, 185-186, 231, 289	SCREW,HHC,M8 X 20MM.....177-178, 181-183	SEAL KIT,DRIVE HUB (88887).....103-104
SCREW,HHC,1/4-20 X 1.5.....197, 273	SCREW,HHC,M8 X 40.....197	SEAL KIT,DRIVE HUB (88887)***.....99-100, 103-104, 107
SCREW,HHC,1/4-20 X 1.75.....189, 210, 219, 311	SCREW,HHC,M8 X 60MM X 1.25.....193	SEAL KIT,HYD MOTOR(106184).....295
SCREW,HHC,1/4-20 X 2.....119, 217, 273	SCREW,HHC,M8X1.25X 25MM,GR8.8.....197	SEAL KIT,MOTOR,LC/KC***.....99-100, 104, 107
SCREW,HHC,1/4-20 X 2.25.....109, 213-214, 227, 229, 285	SCREW,PHIL,8-32X.50,SELF TAP.....275	SEAL KIT,PUMP SHAFT (EATON)***.....163
SCREW,HHC,1/4-20 X 2.5.....227, 229	SCREW,PHIL,PHM,10-24 X.5,SEMS.....167, 177-178, 181-183, 185-186, 197	SEAL KIT,SOLENOID VALVE, SV07.....161
SCREW,HHC,1/4-20 X 4.....301, 305	SCREW,PHIL,PHM,10-24X1.5 ZINC.....237	SEAL KIT,SUNSTRAND.....295
SCREW,HHC,1/4-20 X 4.5.....147	SCREW,PHIL,PHM,10-32 X .5,SSTL.....135, 137, 193, 243	SEAL KIT,SWING BRAKE.....123-124
SCREW,HHC,1/4-20X1.75,8,ZAG.....317	SCREW,PHIL,PHM,6-32 X 1/4 SS.....243	SEAL KIT,SWING TORQ HUB***.....123-124
SCREW,HHC,3/4-10 X 1.5.....111	SCREW,PHILLIPS,FHM,10-32X1.00.....291	SEAL, BEARING (128918).....115
SCREW,HHC,3/4-10 X 4 FULL THRD.....123-124	SCREW,PHILLIPS,PHM,10-32 X .75.....121	SEAL, CAP, NOTCHED.....123-124
SCREW,HHC,3/8-16 X .75..99-100, 104, 123-124, 231	SCREW,PHILLIPS,PHM,10-32 X.625.....225, 277	SEAL, CONNECTOR (DT JOYSTICKS)....247, 251
SCREW,HHC,3/8-16 X 1...100, 104, 107, 117, 119, 149, 169-170, 173-174, 181-183, 185-186, 189, 199-200, 205-206, 209-210, 213-214, 217, 219, 285, 289	SCREW,PHILLIPS,PHM,10-32 X1.25.....185-186	SEAL, GASKET, .0005" *SILVER*.....285
SCREW,HHC,3/8-16 X 1 GRD 8.....234	SCREW,PHILLIPS,PHM,6-32 X .5.....127-128, 131-132, 243	SEAL, GASKET, .00075" *GOLD*.....285
SCREW,HHC,3/8-16 X 1.25 GRD 5..117, 119, 167, 169-170, 177-178, 195, 203, 213-214, 217, 223, 225, 227, 229, 234, 275, 279, 293	SCREW,PHILLIPS,PHM,8-32 X .875.....277	SEAL, GASKET, .0010".....285
SCREW,HHC,3/8-16 X 1.50,GR5.....123-124, 185-186, 189, 197, 253, 277, 279, 285	SCREW,PHILLIPS,PHM,8-32 X.25**.....135, 137	SEAL, O-RING ENERGIZER.....123-124
SCREW,HHC,3/8-16 X 2...100, 104, 119, 231, 281	SCREW,PHM, 10-24 X .50.....223	SEAL, O-RING LIP.....123-124
SCREW,HHC,3/8-16 X 2.5.....289	SCREW,RHM,10-32 X 1.....271	SEAL, OIL FILLER CAP.....182-183
SCREW,HHC,3/8-16 X 2.75.....195	SCREW,RHM,10-32 X 1.25.....149	SEAL, POLY, CHAMFER.....123-124
SCREW,HHC,3/8-16 X 3.....104	SCREW,SECURITY,1/4-20 X 1.75LG.....297	SEAL,EXHAUST MANIFOLD,GM.....167
SCREW,HHC,3/8-16 X 3.25.....237	SCREW,SHC,3/4-10 X 3.00,A574.....123-124	SEAL, FILTER ASSY (60334)***.....124
SCREW,HHC,3/8-16 X 3.5,GR5.....217	SCREW,SHC,3/8-16 X 1.....163	SEAL, FILTER LID.....117
SCREW,HHC,3/8-16 X 7.....227, 229	SCREW,SHC,5/16-18 X 2,PLATED.....123-124	SEAL,RETAINING RING.....285
SCREW,HHC,5/16-18 X .75.....295	SCREW,SHC,5/8-11 X 4,A574.....107	SEAL,SHAFT.....285
SCREW,HHC,5/16-18 X 1 GR5.....173-174, 178, 182-183, 193, 203, 234, 295	SCREW,SHC,5/8-11 X 4.5,A574.....123-124	SEAL,SHAFT,EATON PUMP***.....163
SCREW,HHC,5/16-18 X 1.25.....167, 169-170, 177-178, 185-186, 193, 195, 234, 295	SCREW,SHC,M10X1.5X20MM (75090).....203	SEAL,SHAFT-SUNDSTRAND***.....99-100, 104, 107
SCREW,HHC,5/16-18 X 1.75.....277	SCREW,SHC,M10X1.5X30 GR 12.9.....200	SEAL,TRAX HUBS.....111, 113, 115
SCREW,HHC,5/8-11 X 1.5 GRD.8.....111	SCREW,SHM,PHP, #12 X .75.....131-132, 243	SEAL-INJECTOR.....181-183
SCREW,HHC,5/8-11 X 2.25 GR8.....100, 104, 107, 123-124	SCREW,SHS,10-24 X .38.....223	SEAL-ROCKER BOX.....181-183
	SCREW,SHS,10-24 X .625.....109, 174, 199-200	SEAL-VALVE SYSTEM (A).....181-183
	SCREW,SHS,M6X12MM,8MM.....182-183	SEAL-VALVE SYSTEM (B).....181-183
	SEAL KIT.....157, 161, 165	SENDING UNIT,OIL PRESS.,DEUTZ*.....199-200
	SEAL KIT (39345).....161	SENDING UNIT,OIL PRESSURE***.....287
	SEAL KIT (63566).....219	SENDING UNIT,OIL TEMP SWCH,DTZ.....174, 199-200
	SEAL KIT (88571).....213-214	SENDING UNIT,TMP,FRD,GM,PRK704.....287
	SEAL KIT (88653).....205-206, 209-210	SENSOR COOLANT TEMP.....167
	SEAL KIT (88668).....205-206, 209-210	SENSOR KIT, TEMPERATURE.....191
	SEAL KIT CYLINDER (59460)....99-100, 103-104, 111	SENSOR, FORD TEMPERATURE.....191
	SEAL KIT CYLINDER (63189).....100, 104	SENSOR,AIR,CAT MONITOR.....195
	SEAL KIT PWR WHL MOTOR.....123-124	SENSOR,AIR,CAT MONITOR***.....186, 189
		SENSOR,CAM POSITION DSG-423.....191
		SENSOR,CRANK POSITION DSG-423.....193
		SENSOR,DUAL OUTPUT,ANGLE.....149
		SENSOR,KNOCK DSG-423 FORD.....191
		SENSOR,LEVEL 3 DEG**.....119
		SENSOR,LEVEL,4.5 DEG.....119
		SENSOR,OXYGEN LRG425EFI.....185-186, 195
		SEPARATOR,DUAL BATTERY,100A.....117



- SEPRTR/FLTR,FUEL DSL,15GPH,.30.....177-178, 182-183  
 SERIAL # LABEL,MYLAR 4X8\*\*\*.....13-14, 17  
 SERVICE KIT, 5FT JIB.....219  
 SERVICE KIT,5FT JIB.....231  
 SHAFT SEAL, APU.....119  
 SHAFT, KNURLED (128918).....115  
 SHAFT, RAISED BOSS (128918).....115  
 SHAFT,15 TOOTH.....99-100, 103-104, 107  
 SHAFT,INPUT DRIVE HUB (88887).....100, 103-104, 107  
 SHAFT,MOTOR.....285  
 SHEAVE,EXTENSION CABLE(LARGER)...217  
 SHEAVE,RETRACT CABLE(SMALLER)...213-214  
 SHEET,RUBBER,AIR INTAKE...169-170, 173-174  
 SHIM,HUB (88883).....99-100, 103-104  
 SHIM,PAD,5 X 3.....213-214  
 SHIM,SIDE PAD 16GA. 3 X 5.....213-214, 217  
 SHIM,WEAR PAD,5 X 1.5,14GA.....217  
 SHIM,WEAR PAD,5X 1.5 16GA.....217  
 SHOCK MOUNT,SMALL...178, 182-183, 185-186, 197  
 SHORT LINK W/BEARINGS, SERVICE...209-210  
 SHROUD,FAN PAINTED.....177-178, 181-183  
 SHUTDOWN SOLENOID,12V, DEUTZ.....169-170, 173-174  
 SLEEVE,CONNECTOR,DT JOYSTICKS..247, 251  
 SLEEVE,NYLON,2.19 ID,BULK.....139-140, 143-144  
 SLIDING MIDRAIL KIT,PTD.....234  
 SNAP PIN.....273  
 SNAP RING.....115  
 SNAP RING(M46 UNITS)\*.....99-100, 104, 107  
 SNAP RING,EXTERNAL,.75 DIA.....253  
 SNAP RING,EXTERNAL,1.25 DIA.\*\*.....219  
 SNAP RING,EXTERNAL,1.5 DIA\*\*\*..104, 213-214, 217  
 SNAP RING,EXTERNAL,2.00 DIA....205-206, 209-210  
 SNAP RING,EXTERNAL,2.25 DIA.....210  
 SNAP RING,PUMP SHAFT SEAL\*\*\*.....163  
 SOFTWARE,S60HC,DIAGNOSTIC,+1.....140, 143-144  
 SOFTWARE,S60HC,SCON,+1....140, 143-144  
 SOFTWARE,S60HC,TCON,+1....140, 143-144  
 SOLENOID CABLE ASSY\*\*\*.....169-170, 173-174  
 SOLENOID KIT,SHUT DN,PERKINS.....181-183  
 SOLENOID,77066.....119  
 SOLENOID,SHUT DOWN PERKIN40422.....177-178  
 SOLENOID,THROTTLE ACTUATOR DSL..169-170, 173-174, 177-178, 181-183, 199-200  
 SOLENOID-STARTR DEUTZF4L1011F\*.....203  
 SPACER.....111, 113, 285  
 SPACER TUBE,.50 LG.....277  
 SPACER, BOOM TOP.....281  
 SPACER, DUAL COIL.....151-152  
 SPACER,EATON PUMP SHAFT SEAL\*\*.....163  
 SPACER,ENGINE MOUNT.....185-186, 197  
 SPARK PLUG, FORD DSG-423.....191  
 SPARK PLUG-GM 3.0L ENGINE.....167  
 SPIDER (106113).....295  
 SPLIT BOGEY.....115  
 SPRING CLIP,1/4-20,.025-.15X.5.....99-100, 103-104, 107, 197, 214, 219, 225, 231, 234, 289  
 SPRING CLIP,3/8-16.....117, 277, 285  
 SPRING, SS, 1/2-EO500-49-4500.....301, 303, 305, 307  
 SPRING, SS, 3/4-EO750-69-4500.....301, 303, 305, 307  
 SPRING,COMP,1" OD,232 LB/IN.....237  
 SPRING,JOYSTK CENTR,62390/91.....245, 247, 249, 251  
 SPRING,SWITCH CENTERING,75565.....249, 251  
 SPROCKET, MACH. HALF LEFT.....115  
 SPROCKET, MACH. HALF RIGHT.....115  
 STANDOFF,1/4X1/4 M-F 6-32 S/S.....243  
 STANDOFF,6-32 X 3/8L X 1/4 HEX.....243  
 STARTER, 12V.....169-170, 173-174, 203  
 STARTER, PERKINS, 404D.....177-178, 181-183  
 STARTER,DSG-423.....191  
 STARTER,ENGINE,FORD LSG/LRG\*\*\*.....185-186, 195  
 STARTER,GM 3.0L.....167  
 STEER AXLE ASSEMBLY.....111  
 STEP PLATFORM ENTRY PAINTED.....234, 283  
 STOP PLATFORM ROLLER.....227, 229  
 STRAINER,16 SAE F/24 SAE M.....256  
 STRAINER,20 SAE F/24 SAE M.....255-256  
 STROBE,FIREBOLT,12-80VDC,AMB\*\*.....271  
 STUD, 3/4-16 UNF X 2-1/2 LG.....111, 113  
 SUPPORT, RAILING.....273, 305, 307  
 SUPPORT,SENSOR,JOYSTICK.....249, 251  
 SVC KIT,UK RECEPT.REPLACEMENT.....275  
 SWING DRIVE ASSEMBLY.....123-124  
 SWING MOTOR,COMPLETE\*\*\*.....123-124  
 SWITCH SHIELD,ROCK JOYSTK75565...249, 251  
 SWITCH TOGGLE ASSY DPDT 2P MOM.....127-128, 132, 239-240  
 SWITCH TOGGLE ASSY DPDT 3P MOM.....127-128, 132, 239-240  
 SWITCH TOGGLE ASSY SPDT 2P MNT.....127-128, 131-132, 239-240, 243, 301, 303, 305  
 SWITCH TOGGLE ASSY SPDT 2P MOM.....127-128, 131-132, 303, 307  
 SWITCH TOGGLE ASSY SPDT 3P MOM.....127-128, 131-132, 239-240  
 SWITCH TOGGLE DPDT 2P MOM SHDR.....127-128, 132, 239-240  
 SWITCH TOGGLE DPDT 3P MOM SHDR.....127-128, 132, 239-240  
 SWITCH TOGGLE SPDT 2P MNT SHDR.....127-128, 131-132, 239-240  
 SWITCH TOGGLE SPDT 2P MOM SHDR.....127-128, 131-132  
 SWITCH TOGGLE SPDT 3P MOM SHDR.....127-128, 131-132, 239-240  
 SWITCH, OIL PRESSURE.....181-183  
 SWITCH, OIL PRESSURE 1.5 BAR.....174  
 SWITCH,LIMIT,W/RLLR ARM,NO/NC.....123-124, 213-214  
 SWITCH,LIMIT,W/RLR ARM,NO/NC.....205-206, 209-210  
 SWITCH,LIMIT,W/ROD,NO/NO.....223  
 SWITCH,LOAD LIMIT.....139-140, 237, 243  
 SWITCH,OIL PRESS-PERKINS 404...181-183  
 SWITCH,OIL PRESS-PERKINS(54555....177-178  
 SWITCH,OIL PRESSURE.....191  
 SWITCH,PRESS,#4NPT,200PSIF.....295  
 SWITCH,THERMOSTAT 85F OPEN.....243  
 SWITCH,TOGGLE,DPDT,2POS MOMEN...147  
 SWITCH,WATER TEMP,PRKNS,404\*\*\*.....177-178, 181-183  
 SWIVEL,HYD 8 PORT\*\*\*.....123-124
- T**
- T-BOX,2.75 X 4.5 X 2.0.....275, 277  
 T-BOX,2.75X4.5X2.63,3PH.....297  
 TAILPIPE,DEUTZ BF4L2011.....199-200  
 TAILPIPE,FORD DSG423.....195  
 TAILPIPE,FORD LRG 425.....186, 189  
 TAILPIPE,MUFFLER.....167, 177-178  
 TAILPIPE,MUFFLER,2.00"DIA.....182-183  
 TANK ASSY,GAS,30 GAL,PLASTIC.....119  
 TANK,FUEL 35 GAL PLASTIC,S60.....119  
 TAPE,WARNING,BLK/YEL, 50\*\*\*.....17  
 TEE,BRANCH,520429-8.....255-256, 261  
 TEE,RUN,1/4" PIPE.....287  
 TEE,RUN,520428-12.....299  
 TEE,RUN,520428-6.....261, 263  
 TEE,RUN,520428-8.....255-256, 267  
 TEE,RUN,SWIVEL,520432-16.....269  
 TEE,RUN,SWIVEL,520432-6.....317  
 TENSIONER, TRAX.....115  
 TERM,AMP MTE,SOC,22-26 GA BULK....247, 251  
 TERM,DEUTSCH, PIN #12-14.....131-132, 243  
 TERM,NI PIN, 14-16GA,BULK.....213-214, 243  
 TERM,NI PIN,S&F,16-18GA,REEL.....131-132, 243  
 TERM,NI SOC,14-16GA,BULK.....205-206, 209-210  
 TERM,NI SOC,S&F,16-18GA,REEL....131-132  
 TERMINAL BLOCK END PLATE.....135  
 TERMINAL BLOCK, END PLATE.....137  
 TERMINAL BLOCK, WIELAND.....137  
 TERMINAL BLOCK,WIELAND.....135  
 TERMINAL RAIL,S60/S65.....135  
 TERMINAL SINGLE BLOCK 2 WIRE.....135  
 TERMINAL,MOLEX 16 GAUGE.....243  
 TERMINAL,STRIP,4-POLE,600V\*\*\*.....277  
 TERMINAL,STUD BOLT,250 V.....295  
 THERMOSTAT.....182-183  
 THERMOSTAT (PERKINS 104-22).....181-183  
 THERMOSTAT, FORD LRG.....185-186  
 THERMOSTAT,FORD DSG423.....191  
 THREADED ROD, 3/8-24X2".....149  
 THREADED ROD,1/4-28 X 4 IN\*\*\*.....109  
 THROTTLE BODY INJ. BONNET.....167  
 THROTTLE LINK,DSL\*\*\*.....169-170, 199-200  
 THROTTLE LINKAGE, DSL.....199-200  
 THROTTLE LINKAGE,DIESEL\*\*\*.....169-170, 173-174  
 THROTTLE,ELECT,FORD DSG423.....191  
 TIE ROD WELDMENT,S60....99-100, 103-104  
 TIRE & WHEEL ASSY RH,FF.....99-100, 103-104  
 TIRE & WHEEL ASSY,AIR,LH.....99-100, 103-104  
 TIRE & WHEEL ASSY,AIR,RH\*\*\*.....99-100, 103-104  
 TIRE & WHEEL ASSY,LH FF\*\*\*.....99-100, 103-104



WELDMENT W/DECALS,4FT,500LB WHEEL DRIVE 56:1 4WD\*\*\*.....99-100, 103-104, 107  
 AN.....233-234  
 WELDMENT W/DECALS,5FT,500LB WHEEL,22.5X14.00\*\*\*.....99-100, 103-104  
 AN.....233-234 WIPER.....279  
 WELDMENT, AIR INTAKE BOX.....199-200 WIPER BRACKET.....279  
 WELDMENT, AIR INTAKE TUBE.....169-170 WIPER BRACKET,#1 BOTTOM.....279  
 WELDMENT, AIRCRAFT SENSOR WIPER BRACKET,#1 TOP.....279  
 MNT.....301, 305 WIPER BRACKET,#2 BOTTOM.....279  
 WELDMENT, AIRCRAFT TOP WIPER BRACKET,#2 TOP.....279  
 BUMPER.....305, 307 WIPER RUBBER, 1 TO 2.....281  
 WELDMENT, LONG LINK SPACER.....205-206, 209-210 WIPER RUBBER, 2 TO 3.....281  
 WELDMENT, SENSOR MOUNT.....301, 303, 305, 307 WIPER,#1 BOTTOM.....279  
 WIPER,#1 TOP.....279  
 WIPER,#2 TOP.....279  
 WELDMENT, SHORT LINK.....205-206, 209-210 WIPER,RING GEAR GUARD.....289  
 WIRE CABLE,16/4 CON.TPE JKT.....205-206, 209-210, 213-214, 233-234  
 WELDMENT, SKIDPLATE.....303, 307 WIRE HARNESS, SENSOR, TEMP.....191  
 WELDMENT, TIE ROD.....111 WIRE LOOM,1.25 DIA.....139-140, 143-144  
 WELDMENT,4/5FT PLATFORM WIRE,10 GA,BROWN,GXL\*\*\*.....135  
 SUPPOR.....234 WIRE,12 GA,RED,GXL\*\*\*.....135  
 WELDMENT,AIRCRAFT SENSOR WIRING KIT,CONTROL BOX HEATER.....243  
 BUMPR.....301, 303, 305, 307 WIRING KIT,JIB TIME DELAY IC.....139-140, 143-144  
 WELDMENT,BAT/MANIF TRAY,S60/65.....117 WORKLIGHT,12 VOLT\*\*\*.....273  
 WELDMENT,BOOM SECTION # 2\*\*\*.....213-214 WORKLIGHT,12 VOLT\*\*\* OPTION.....273  
 WELDMENT,CABLE TRACK TRAY.....213-214  
 WELDMENT,CABLE TRACK TRAY\*\*\*.....227, 229  
 WELDMENT,CABLE TRACK TUBE.....213-214  
 WELDMENT,CABLE TRACK TUBE\*\*\*.....227, 229  
 WELDMENT,CAT MOUNT.....195  
 WELDMENT,COOLING AIR BOX  
 PANTD.....199-200  
 WELDMENT,EXHAUST PIPE.....177-178, 181-183  
 WELDMENT,EXHAUST TUBE.....121  
 WELDMENT,EXTENSION BRACKET.....217  
 WELDMENT,HEADER PIPE.....185-186, 195  
 WELDMENT,LEFT COVER SUPPORT.....121  
 WELDMENT,LONG LINK LH.....205-206  
 WELDMENT,LONG LINK RT.....205-206  
 WELDMENT,LP MOUNT.....119  
 WELDMENT,MASTER LINK.....205-206, 209-210  
 WELDMENT,MUFFLER,DSG423.....195  
 WELDMENT,MUFFLER,FORD TIER2.....186  
 WELDMENT,PLATFORM SUPPORT.....253  
 WELDMENT,PLATFORM SUPPORT,CE.....237  
 WELDMENT,PRECLEANER BRACKET.....293  
 WELDMENT,PULL BAR.....317  
 WELDMENT,REAR ENGINE MOUNT.....203  
 WELDMENT,RIGHT COVER SUPPORT.....121  
 WELDMENT,ROTATOR MOUNT.....253  
 WELDMENT,SHORT LINK.....205-206  
 WELDMENT,TIMING LINK CAM.....206, 210  
 WELDMENT,TOW BAR.....317  
 WELDMENT,TRACK PULL TUBE  
 PIVOT.....217, 227, 229  
 WELDMENT,TRANSPORT LOCK.....123-124  
 WHEEL & TIRE ASSY,LH,NM.....99-100, 103-104  
 WHEEL & TIRE ASSY,LH,FF.....103-104  
 WHEEL & TIRE ASSY,RH,FF.....103-104  
 WHEEL & TIRE ASSY,RH,NM.....99-100, 103-104  
 WHEEL 24.5X11.75-9 HOLE.....99-100, 103-104  
 WHEEL DRIVE 56:1 2WD\*\*\*.....107

## Y

YOKE ASSEMBLY W/BEARINGS,LH.....99-100, 103-104  
 YOKE ASSEMBLY W/BEARINGS,RH.....99-100, 103-104

## Z

ZERK,GREASE,5/16-24,STRAIT.....237

## Fitting Cross References

Genie PN	Parker PN	Description	Genie PN	Parker PN	Description
12342	6-4 F5OX-S	CONNECTOR,STRAIGHT THREAD TO FLARE TUBE	42794	1 CR-S	ELBOW,90°,MALE PIPE
13757	4 R6X-S	RUN TEE,SWIVEL NUT,ORFS	42795	BV-0839	BALL VALVE
19685	12-10 C5OX-S	ELBOW,90°,STRAIGHT THREAD TO FLARE TUBE	42796	BV-0838	BALL VALVE
22664	12-10 C5OX	ELBOW,90°,STRAIGHT THREAD TO FLARE TUBE	42874	6-8 CLO-S	ELBOW,90°,MALE PIPE TO ORFS
27431	8-12 F5OX-S	CONNECTOR,STRAIGHT THREAD TO FLARE TUBE	42912	13943-6-4	HOSE END,90° FEMALE SWIVEL,JIC
28678	AS-B-33	SLEEVE,NYLON,1.81" ID	42920	BV-0840	BALL VALVE,90°
39871	6 WETX-WLN-S	UNION,90° BULKHEAD W/NUT,FLARE TUBE	42932	AS-B-17	SLEEVE,NYLON,1.22" ID
39872	4 R5OX-S	RUN TEE,STRAIGHT THREAD	42936	10243-2-4	HOSE END,FEMALE PIPE
39873	6 C5OX-S	ELBOW,90°,STRAIGHT THREAD TO FLARE TUBE	42953	1/2 DD-S	ELBOW,90°,FEMALE PIPE
39874	8-6 C5OX-S	ELBOW,90°,STRAIGHT THREAD TO FLARE TUBE	42956	6 WELO-WLNL-S	UNION,90° BULKHEAD W/NUT,ORFS
39875	4-6 C5OX-S	ELBOW,90°,STRAIGHT THREAD TO FLARE TUBE	45349	8 V5OX-S	ELBOW,45°,STRAIGHT THREAD TO FLARE TUBE
39876	6-8 C5OX-S	ELBOW,90°,STRAIGHT THREAD TO FLARE TUBE	45351	4 V5OX-S	ELBOW,45°,STRAIGHT THREAD TO FLARE TUBE
39877	4 F5OX-S	CONNECTOR,STRAIGHT THREAD TO FLARE TUBE	47223	10343-6-6	HOSE END,MALE,JIC
39878	6 F5OX-S	CONNECTOR,STRAIGHT THREAD TO FLARE TUBE	47419	PS690503-6-6	SWIVEL,90°,STRAIGHT THREAD TO 37° FLARE
39879	4-8 F5OX-S	CONNECTOR,STRAIGHT THREAD TO FLARE TUBE	48750	421-4	HOSE,1/4 INCH ID
39880	6-10 F5OX-S	CONNECTOR,STRAIGHT THREAD TO FLARE TUBE	48751	481TC-4	HOSE,1/4 INCH ID
39881	4-6 F5OX-S	CONNECTOR,STRAIGHT THREAD TO FLARE TUBE	48752	482TC-4	HOSE,1/4 INCH ID
39882	4-HP5ON-S	PLUG,STRAIGHT THREAD	48753	451TC-6	HOSE,3/8 INCH ID
39883	8-8 FTX-S	CONNECTOR,MALE PIPE TO FLARE TUBE	48754	482TC-6	HOSE,3/8 INCH ID
39885	269HB 12-12	ELBOW,90°,BEADED HOSE BARB TO MALE PIPE	48755	381-6	HOSE,3/8 INCH ID
39886	431-6	HOSE,3/8 INCH ID	48756	451TC-8	HOSE,1/2 INCH ID
39887	540N-2	HOSE,1/8 INCH ID	48757	482TC-8	HOSE,1/2 INCH ID
39888	801-8	HOSE,1/2 INCH ID	48758	381-8	HOSE,1/2 INCH ID
39889	801-12	HOSE,3/4 INCH ID	48759	381-10	HOSE,5/8 INCH ID
39890	10643-6-6	HOSE END,FEMALE SWIVEL,JIC	48760	451TC-10	HOSE,5/8 INCH ID
39891	13943-6-6	HOSE END,90° FEMALE SWIVEL,JIC	48761	482TC-12	HOSE,3/4 INCH ID
39892	13743-6-6	HOSE END,45° FEMALE SWIVEL,JIC	48762	451TC-12	HOSE,3/4 INCH ID
39894	30682-8-8	HOSE END,FEMALE SWIVEL,JIC	48763	772-12	HOSE,3/4 INCH ID
39895	30682-10-12	HOSE END,FEMALE SWIVEL,JIC	48764	881-16	HOSE,1 INCH ID
42286	8-8 CTX-S	ELBOW,90°,MALE PIPE TO FLARE TUBE	48765	772-16	HOSE,1 INCH ID
42756	8-12 CLO-S	ELBOW,90,MALE PIPE TO ORFS	48766	AS-B-15	SLEEVE,NYLON,1.06" ID
42757	8-12 FLO-S	CONNECTOR,MALE PIPE TO ORFS	48767	AS-B-22	SLEEVE,NYLON,1.42" ID
42758	4 JLO-S	UNION TEE,ORFS	48770	881-8	HOSE,1/2 INCH ID
42759	4-4 FLO-S	CONNECTOR,MALE PIPE TO ORFS			
42760	6-8 FLO-S	CONNECTOR,MALE PIPE TO ORFS			
42761	1J143-6-4	HOSE END,90° FEMALE SWIVEL,SEAL LOK			
42762	1J743-6-4	HOSE END,45° FEMALE SWIVEL,SEAL LOK			
42768	1JO43-4-4	HOSE END,MALE,SEAL LOK			
42776	601-8	HOSE,1/2 INCH ID			
42777	1J743-16-16	HOSE END,45° FEMALE SWIVEL,SEAL LOK			
42786	16 CLO-S	ELBOW,90°,MALE PIPE TO ORFS			
42787	16 R6LO-S	RUN TEE,SWIVEL NUT,ORFS			
42788	16-8 TRLO-BL-S	REDUCER,TUBE END TO SWIVEL,ORFS			
42789	6-6 CLO-S	ELBOW,90°,MALE PIPE TO ORFS			
42790	8-10 V5OLO-S	ELBOW,45°,STRAIGHT THREAD TO ORFS			
42791	3/4 CD-S	ELBOW,90°,MALE TO FEMALE PIPE			
42792	3/4 X 1/2 PTR-S	REDUCER,MALE TO FEMALE PIPE			
42793	1/2 CR-S	ELBOW,90°,MALE PIPE			

Fitting Cross References (Continued)

Genie PN	Parker PN	Description
48771	881-10	HOSE,5/8 INCH ID
48772	381-4	HOSE,1/4 INCH ID
48773	AS-B-13	SLEEVE,NYLON,.86" ID
48800	1JC43-4-4	HOSE END,FEMALE SWIVEL,SEAL LOK
48801	1J743-4-4	HOSE END,45° FEMALE SWIVEL,SEAL LOK
48802	1J943-4-4	HOSE END,90° FEMALE SWIVEL,SEAL LOK
48804	1JM43-4-4	HOSE END,MALE,SEAL LOK, NO O-RING
48805	10643-4-4	HOSE END,FEMALE SWIVEL,JIC
48806	13943-4-4	HOSE END,90° FEMALE SWIVEL,JIC
48807	1JS43-4-4	HOSE END,FEMALE SWIVEL,SEAL LOK
48808	3JC82-8-8	HOSE END,FEMALE SWIVEL,SEAL LOK
48809	3JC82-12-12	HOSE END,FEMALE SWIVEL,SEAL LOK
48810	1JC43-6-4	HOSE END,FEMALE SWIVEL,SEAL LOK
48811	1J943-6-4	HOSE END,90° FEMALE SWIVEL,SEAL LOK
48812	1JC43-6-6	HOSE END,FEMALE SWIVEL,SEAL LOK
48813	1J143-6-6	HOSE END,90° FEMALE SWIVEL,SEAL LOK
48814	1J543-6-6	HOSE END,90° FEMALE SWIVEL,SEAL LOK
48815	1J743-6-6	HOSE END,45° FEMALE SWIVEL,SEAL LOK
48816	1J943-6-6	HOSE END,90° FEMALE SWIVEL,SEAL LOK
48817	1JS43-6-8	HOSE END,FEMALE SWIVEL,SEAL LOK
48818	1J943-8-4	HOSE END,90° FEMALE SWIVEL,SEAL LOK
48819	1JC43-8-6	HOSE END,FEMALE SWIVEL,SEAL LOK
48820	1J743-8-6	HOSE END,45° FEMALE SWIVEL,SEAL LOK
48821	1J943-8-6	HOSE END,90° FEMALE SWIVEL,SEAL LOK
48822	1JC43-8-8	HOSE END,FEMALE SWIVEL,SEAL LOK
48823	1JS43-8-8	HOSE END,FEMALE SWIVEL,SEAL LOK
48824	1J143-8-8	HOSE END,90° FEMALE SWIVEL,SEAL LOK
48825	1J543-8-8	HOSE END,90° FEMALE SWIVEL,SEAL LOK
48826	1J743-8-8	HOSE END,45° FEMALE SWIVEL,SEAL LOK
48827	1J943-8-8	HOSE END,90° FEMALE SWIVEL,SEAL LOK
48828	1JC43-10-8	HOSE END,FEMALE SWIVEL,SEAL LOK
48829	1JS43-10-8	HOSE END,FEMALE SWIVEL,SEAL LOK
48830	1J743-10-8	HOSE END,45° FEMALE SWIVEL,SEAL LOK
48831	1J943-10-8	HOSE END,90° FEMALE SWIVEL,SEAL LOK
48833	1JC43-10-10	HOSE END,FEMALE SWIVEL,SEAL LOK
48834	1J943-10-10	HOSE END,90° FEMALE SWIVEL,SEAL LOK
48835	1JS43-10-12	HOSE END,FEMALE SWIVEL,SEAL LOK
48836	1JC43-12-8	HOSE END,FEMALE SWIVEL,SEAL LOK
48837	1JS43-12-8	HOSE END,FEMALE SWIVEL,SEAL LOK
48838	1J743-12-8	HOSE END,45° FEMALE SWIVEL,SEAL LOK
48839	1J943-12-8	HOSE END,90° FEMALE SWIVEL,SEAL LOK
48840	1J943-12-10	HOSE END,90° FEMALE SWIVEL,SEAL LOK
48841	1JC43-12-12	HOSE END,FEMALE SWIVEL,SEAL LOK
48842	1JO43-12-12	HOSE END,MALE,SEAL LOK
48843	1J143-12-12	HOSE END,90° FEMALE SWIVEL,SEAL LOK
48844	1J543-12-12	HOSE END,90° FEMALE SWIVEL,SEAL LOK
48845	1J743-12-12	HOSE END,45° FEMALE SWIVEL,SEAL LOK
48846	1J943-12-12	HOSE END,90° FEMALE SWIVEL,SEAL LOK

Genie PN	Parker PN	Description
48847	13943-12-12	HOSE END,90° FEMALE SWIVEL,JIC
48848	10543-12-12	HOSE END,MALE,STRAIGHT THREAD
48849	1JC71-12-12	HOSE END,FEMALE SWIVEL,SEAL LOK
48850	1JS71-12-12	HOSE END,FEMALE SWIVEL,SEAL LOK
48851	1J171-12-12	HOSE END,90° FEMALE SWIVEL,SEAL LOK
48852	1J771-12-12	HOSE END,45° FEMALE SWIVEL,SEAL LOK
48853	1J971-12-12	HOSE END,90° FEMALE SWIVEL,SEAL LOK
48854	1JC43-16-16	HOSE END,FEMALE SWIVEL,SEAL LOK
48855	1J943-16-16	HOSE END,90° FEMALE SWIVEL,SEAL LOK
48856	1J171-16-16	HOSE END,90° FEMALE SWIVEL,SEAL LOK
48857	1J971-16-16	HOSE END,90° FEMALE SWIVEL,SEAL LOK
48859	1JS43-8-4	HOSE END,FEMALE SWIVEL,SEAL LOK
48867	PD36BTL	DIAGNOSTIC NIPPLE,SEAL-LOK SWIVEL
48873	6 PNLO-S	PLUG,TUBE END,ORFS
48874	6 PNTX-S	PLUG,FLARE TUBE
48875	6 R6LO-S	RUN TEE,SWIVEL NUT,ORFS
48877	4 F5OLO-SW/.025	CONNECTOR,STRAIGHT THREAD TO ORFS, W/.025 ORI
48878	16-12 C5OLO-S	ELBOW,90°,STRAIGHT THREAD TO ORFS
48879	8 C6LO-S	ELBOW,90°,SWIVEL NUT ORFS
48880	PD6-285	CAP,DIAGNOSTIC NIPPLE
48881	6 HLO-S	UNION,ORFS
48883	8 P5ON-S	PLUG,STRAIGHT THREAD
48884	8M18F87OMLO-S	CONNECTOR,METRIC,STRAIGHT THREAD TO ORFS
48885	4 WGTX-WLN-S	CONNECTOR,BULKHEAD,FEMALE PIPE TO FLARE TUBE
48886	4 F5OLO-SW/2MM	CONNECTOR,MACHINED STRAIGHT THREAD TO ORFS
48887	4 CTX-S	ELBOW,90°,MALE PIPE TO FLARE TUBE
48888	10-12 V5OLO-S	ELBOW,45°,STRAIGHT THREAD TO ORFS
48890	4 S5OLO-S	BRANCH TEE,STRAIGHT THREAD TO ORFS
48891	4 S6LO-S	BRANCH TEE,SWIVEL NUT TO ORFS

## Fitting Cross References (Continued)

Genie PN	Parker PN	Description	Genie PN	Parker PN	Description
48892	6 C6LO-S	ELBOW,90°,SWIVEL NUT ORFS	48938	8 R6LO-S	RUN TEE,SWIVEL NUT,ORFS
48893	6 F5OHAO-S	UNION,STRAIGHT THREAD	48939	8 S6LO-S	BRANCH TEE,SWIVEL NUT TO ORFS
48894	8 WLO-WLNL-S	UNION,BULKHEAD,ORFS	48940	8 WJLO-WLNL-S	RUN TEE, BULKHEAD,ORFS
48895	DT-370-MSMO-5	VALVE,CHECK	48941	8-4 TRLO-S	REDUCER,TUBE END TO SWIVEL,ORFS
48896	6 JLO-S	UNION,TEE,ORFS	48942	8-6 C5OLO-S	ELBOW,90°,STRAIGHT THREAD TO ORFS
48897	DT-750-MSMS-5	VALVE,CHECK	48943	8-6 F5OLO-S	CONNECTOR,STRAIGHT THREAD TO ORFS
48898	DT-750-MOMS-5	VALVE,CHECK	48944	8-8 FLO-S	CONNECTOR,MALE PIPE TO ORFS
48899	DT-620-MOMS-5	VALVE,CHECK	48945	8 FTX-S	CONNECTOR,MALE PIPE TO FLARE TUBE
48900	4-6 F5OLO-SW/.035	CONNECTOR,STRAIGHT THREAD TO ORFS, W/.035 ORI	48946	8-10 F5OLO-S	CONNECTOR,STRAIGHT THREAD TO ORFS
48902	16-1 AOE4G-S	ELBOW,90° LONG,FEMALE PIPE TO STRAIGHT THREAD	48947	8-12 C5OLO-S	ELBOW,90°,STRAIGHT THREAD TO ORFS
48903	1 FF-S	NIPPLE,PIPE	48948	8-12 F5OLO-S	CONNECTOR,STRAIGHT THREAD TO ORFS
48904	4 C5OLO-S	ELBOW,90°,STRAIGHT THREAD TO ORFS	48949	8-16 F5OLO-S	CONNECTOR,STRAIGHT THREAD TO ORFS
48905	4 F5OLO-S	CONNECTOR,STRAIGHT THREAD TO ORFS	48950	10 C5OLO-S	ELBOW,90°,STRAIGHT THREAD TO ORFS
48906	4 R5OLO-S	RUN TEE,STRAIGHT THREAD	48951	10 CC5OLO-S	ELBOW,90° LONG,STRAIGHT THREAD TO ORFS
48907	4 V5OLO-S	ELBOW,45°,STRAIGHT THREAD TO ORFS	48952	10 F5OLO-S	CONNECTOR,STRAIGHT THREAD TO ORFS
48908	4 R6LO-S	RUN TEE,SWIVEL NUT,ORFS	48953	10 R5OLO-S	RUN TEE,STRAIGHT THREAD
48909	4 WJLO-WLNL-S	RUN TEE, BULKHEAD,ORFS	48954	10 S5OLO-S	BRANCH TEE,STRAIGHT THREAD TO ORFS
48910	4 GTX-S W/.030	CONNECTOR,FEMALE PIPE TO FLARE TUBE	48955	10 R6LO-S	RUN TEE,SWIVEL NUT,ORFS
48911	4-6 C5OLO-S	ELBOW,90°,STRAIGHT THREAD TO ORFS	48956	10-4 TRLO-BL-S	REDUCER,TUBE END TO SWIVEL,ORFS
48912	4-6 F5OLO-S	CONNECTOR,STRAIGHT THREAD TO ORFS	48957	10-6 TRLO-BL-S	REDUCER,TUBE END TO SWIVEL,ORFS
48913	4-6 F5OLO-SW/.030	CONNECTOR,STRAIGHT THREAD TO ORFS, W/.030 ORI	48958	10-12 F5OLO-S	CONNECTOR,STRAIGHT THREAD TO ORFS
48914	4-8 F5OLO-S	CONNECTOR,STRAIGHT THREAD TO ORFS	48959	12 C5OLO-S	ELBOW,90°,STRAIGHT THREAD TO ORFS
48915	6 C5OLO-S	ELBOW,90°,STRAIGHT THREAD TO ORFS	48960	12 F5OLO-S	CONNECTOR,STRAIGHT THREAD TO ORFS
48916	6 F5OLO-S	CONNECTOR,STRAIGHT THREAD TO ORFS	48961	12 R5OLO-S	RUN TEE,STRAIGHT THREAD
48917	6 FF5OLO-S	CONNECTOR,LONG,STRAIGHT THREAD TO ORFS	48962	12 S5OLO-S	BRANCH TEE,STRAIGHT THREAD TO ORFS
48918	6 R5OLO-S	RUN TEE,STRAIGHT THREAD	48963	12 V5OLO-S	ELBOW,45°,STRAIGHT THREAD TO ORFS
48919	6 S5OLO-S	BRANCH TEE,STRAIGHT THREAD TO ORFS	48964	12 R6LO-S	RUN TEE,SWIVEL NUT,ORFS
48920	6 V5OLO-S	ELBOW,45°,STRAIGHT THREAD TO ORFS	48965	12 CLO-S	ELBOW,90°,MALE PIPE TO ORFS
48921	6 FLO-S	CONNECTOR,MALE PIPE TO ORFS	48966	12 FLO-S	CONNECTOR,MALE PIPE TO ORFS
48922	6-6 FLO-S	CONNECTOR,MALE PIPE TO ORFS	48967	12 JLO-S	UNION TEE,ORFS
48923	6 P5ON-S	PLUG,STRAIGHT THREAD	48968	12 WLO-WLNL-S	UNION,BULKHEAD,ORFS
48925	6 WELO-S	UNION,90° BULKHEAD,ORFS	48969	12 WJLO-WLNL-S	RUN TEE, BULKHEAD,ORFS
48926	6-4 C5OLO-S	ELBOW,90°,STRAIGHT THREAD TO ORFS	48970	12 WELO-WLNL-S	UNION,90° BULKHEAD W/NUT,ORFS
48927	6-4 F5OLO-S	CONNECTOR,STRAIGHT THREAD TO ORFS			
48928	6-4 V5OLO-S	ELBOW,45°,STRAIGHT THREAD TO ORFS			
48929	6-8 C5OLO-S	ELBOW,90°,STRAIGHT THREAD TO ORFS			
48930	6-8 F5OLO-S	CONNECTOR,STRAIGHT THREAD TO ORFS			
48931	6-10 F5OLO-S	CONNECTOR,STRAIGHT THREAD TO ORFS			
48932	8 C5OLO-S	ELBOW,90°,STRAIGHT THREAD TO ORFS			
48933	8 F5OLO-S	CONNECTOR,STRAIGHT THREAD TO ORFS			
48934	8 FF5OLO-S	CONNECTOR,LONG,STRAIGHT THREAD TO ORFS			
48935	8 R5OLO-S	RUN TEE,STRAIGHT THREAD			
48936	8 S5OLO-S	BRANCH TEE,STRAIGHT THREAD TO ORFS			
48937	8 V5OLO-S	ELBOW,45°,STRAIGHT THREAD TO ORFS			

## Fitting Cross References (Continued)

Genie PN	Parker PN	Description	Genie PN	Parker PN	Description
48971	12 G5G5JG5-S	TEE,FEMALE STRAIGHT THREAD	49612	PKT02586	O-RING KIT (ORFS FITTINGS)
48972	12 XHL6-S	ADAPTER, 37° MALE TO SWIVEL ORFS	49613	PKT06276	PLUG AND CAP KIT-SERVICE,ORFS
48973	12-1/2 F5OG-S	ADAPTER,FEMALE PIPE TO STRAIGHT THREAD	49728	10143-12-12	HOSE END, MALE PIPE
48974	12-10 C5OLO-S	ELBOW,90°,STRAIGHT THREAD TO ORFS	49729	16-1 F5OG-S	ADAPTER,FEMALE PIPE TO STRAIGHT THREAD
48975	12-10 F5OLO-S	CONNECTOR,STRAIGHT THREAD TO ORFS	49814	12-8 FLO-S	CONNECTOR,MALE PIPE TO ORFS
48976	12-16 C5OLO-S	ELBOW,90°,STRAIGHT THREAD TO ORFS	49829	DT-500-MOMF-5	VALVE,CHECK
48977	12-16 F5OLO-S	CONNECTOR,STRAIGHT THREAD TO ORFS	49831	881-12	HOSE,3/4 INCH ID
48978	12-16 V5OLO-S	ELBOW,45°,STRAIGHT THREAD TO ORFS	49834	16 JLO-S	UNION TEE,ORFS
48980	12-16 FLO-S	CONNECTOR,MALE PIPE TO ORFS	49838	12-8 TRLO-BL-S	REDUCER,TUBE END TO SWIVEL,ORFS
48983	16 C5OLO-S	ELBOW,90°,STRAIGHT THREAD TO ORFS	49840	8 JLO-S	UNION TEE,ORFS
48984	16 F5OLO-S	CONNECTOR,STRAIGHT THREAD TO ORFS	49844	10-8 TRLO-BL-S	REDUCER,TUBE END TO SWIVEL,ORFS
48985	16 V5OLO-S	ELBOW,45°,STRAIGHT THREAD TO ORFS	49854	8 P5ON-S	PLUG,STRAIGHT THREAD
48986	16 FLO-S	CONNECTOR,MALE PIPE TO ORFS	49855	1JC43-16-12	HOSE END,FEMALE SWIVEL,SEAL LOK
48988	16 CD45-S	ELBOW,45°,MALE TO FEMALE PIPE	49859	4 P5ON-S	PLUG,STRAIGHT THREAD
48989	12 CD45-S	ELBOW,45°,MALE TO FEMALE PIPE	49861	4 FF5OLO-S	CONNECTOR,LONG,STRAIGHT THREAD TO ORFS
48990	8 CD45-S	ELBOW,45°,MALE TO FEMALE PIPE	49867	12-3/4 F5OG-S	ADAPTER,FEMALE PIPE TO STRAIGHT THREAD
48991	16-12 FLO-S	CONNECTOR,MALE PIPE TO ORFS	51152	6 R6X-S	RUN TEE,SWIVEL NUT,ORFS
48992	16-12 V5OLO-S	ELBOW,45°,STRAIGHT THREAD TO ORFS	51153	6-4 TRTX-S	REDUCER,TUBE END TO SWIVEL,ORFS
48993	XV501-12	BALL VALVE	51154	4-4 GTX	CONNECTOR,FEMALE PIPE TO FLARE TUBE
48994	XV501-16	BALL VALVE	51264	881-12	HOSE,3/4 INCH ID
48995	XV510P-12	BALL VALVE	51265	8 JLO-S	UNION TEE,ORFS
48996	XV510P-16	BALL VALVE	51508	6 BTX-S	NUT,FLARE TUBE
48997	PD341	DIAGNOSTIC NIPPLE, STRAIGHT THREAD	51580	12-8 TRLO-BL-S	TUBE END REDUCER,ORFS
48998	PD 361	DIAGNOSTIC NIPPLE, STRAIGHT THREAD	51628	6 R6X-S	RUN TEE,SWIVEL NUT,ORFS
48999	DT-500-MOMS-5	VALVE,CHECK	51735	3/8 HHP	PLUG,PIPE THREAD
49201	10 V5OLO-S	ELBOW,45°,STRAIGHT THREAD TO ORFS	51803	1J943-6-8	HOSE END,90° FEMALE SWIVEL,SEAL LOK
49202	1JC43-12-10	HOSE END,FEMALE SWIVEL,SEAL LOK	53023	125HBL-5-4	FITTING,HOSE BARB TO MALE PIPE
49203	10-8 V5OLO-S	ELBOW,45°,STRAIGHT THREAD TO ORFS	53497	PKT02585	O-RING KIT
49205	6 F5OHAO-S	UNION,STRAIGHT THREAD	53499	1JC71-16-16	HOSE END,FEMALE SWIVEL,SEAL LOK
49207	PD34BTL	DIAGNOSTIC NIPPLE,SEAL-LOK SWIVEL	53500	3-904	O-RING,STRAIGHT THREAD,-4
49209	8M18F870MX-S	CONNECTOR,METRIC,STRAIGHT THREAD TO FLARE TUBE	53501	3-906	O-RING,STRAIGHT THREAD,-6
49212	8 WGTX-WLN-S	CONNECTOR,BULKHEAD,FEMALE PIPE TO FLARE TUBE	53502	3-908	O-RING,STRAIGHT THREAD,-8
49213	30682-8-8	HOSE END,FEMALE SWIVEL,JIC	53503	3-910	O-RING,STRAIGHT THREAD,-10
49216	831-8	HOSE,1/2 INCH ID			
49217	33982-8-8	HOSE END,90° FEMALE SWIVEL,JIC			
49219	PS-B-35	SLEEVE,NYLON,2.19" ID			
49418	4-6 V5OLO-S	ELBOW,45°,STRAIGHT THREAD TO ORFS			
49511	DT370-MOMS-5	VALVE,CHECK			
49512	1 DD-S	ELBOW,90°,FEMALE PIPE			
49513	1 FF-S	NIPPLE,PIPE			
49514	10 HP5ON-S	PLUG,STRAIGHT THREAD			
49515	12-16 CLO-S	ELBOW,90°,MALE PIPE TO ORFS			
49517	6 HP5ON-S	PLUG,STRAIGHT THREAD			
49519	16-12 F5OLO-S	CONNECTOR,STRAIGHT THREAD TO ORFS			
49520	4 VTX-S	ELBOW,45°,MALE PIPE TO FLARE TUBE			
49530	16 C6LO-S	ELBOW,90°,SWIVEL NUT ORFS			

## Fitting Cross References (Continued)

Genie PN	Parker PN	Description	Genie PN	Parker PN	Description
53535	3-912	O-RING,STRAIGHT THREAD,-12	61083	24 F5OLO-S	CONNECTOR,STRAIGHT THREAD TO ORFS
53536	4-PNLO-S	PLUG,TUBE END,ORFS	61086	20 R5OLO-S	RUN TEE,STRAIGHT THREAD
53537	6 PNLO-S	PLUG,TUBE END,ORFS	61090	24-20 F5OLO-S	CONNECTOR,STRAIGHT THREAD TO ORFS
53538	8 PNLO-S	PLUG,TUBE END,ORFS	61091	1J943 24-24	HOSE END,90° FEMALE SWIVEL,SEAL LOK
53539	10 PNLO-S	PLUG,TUBE END,ORFS	61093	1J978-12-12	HOSE END,90° FEMALE SWIVEL,JIC
53540	12 PNLO-S	PLUG,TUBE END,ORFS	61095	1JS43-20-16	HOSE END,FEMALE SWIVEL,SEAL LOK
53946	129HB-5-4	FITTING,90° HOSE BARB TO MALE PIPE	61100	811-24	HOSE,11/2 INCH ID
53951	8-1/4F5OG-S	ADAPTER,FEMALE PIPE TO STRAIGHT THREAD	61130	1JS43-24-24	HOSE END,FEMALE SWIVEL,SEAL LOK
53980	6 S6LO-S	BRANCH TEE,SWIVEL NUT TO ORFS	61131	1JS78 12-12	HOSE END,FEMALE SWIVEL,SEAL LOK
54132	4 C6LO-S	ELBOW,90°,SWIVEL NUT ORFS	61132	1J778-12-12	HOSE END,45° FEMALE SWIVEL,JIC
54135	11343-16-16	HOSE END,MALE SWIVEL,PIPE	61152	139HB-6-4	ELBOW,45°,BARB TO MALE PIPE
54283	8-10 C5OLO-S	ELBOW,90°,STRAIGHT THREAD TO ORFS	61251	BV-0750	BALL VALVE
54428	8M18C870MLO-S	ELBOW, 90° METRIC, STRAIGHT THREAD TO ORFS	61259	4 CC5OLO-S	ELBOW,90° LONG,STRAIGHT THREAD TO ORFS
54803	FS-F-16-10	SLEEVE,FIRE,-96" ID	61260	20-12 TRLO-BL	REDUCER,TUBE END TO SWIVEL,ORFS
54954	10143-2-4	HOSE END, MALE PIPE	61262	12 C6LO-S	ELBOW,90°,SWIVEL NUT ORFS
55190	3/8 HP-S	PLUG,PIPE THREAD	61263	20 F5OHAO-S	UNION,STRAIGHT THREAD
55448	8 HLO-S	UNION,ORFS	61264	6-10 C5OLO-S	ELBOW,90°,STRAIGHT THREAD TO ORFS
55839	6 F65OX-S	CONNECTOR,STRAIGHT THREAD TO 37° SWIVEL	61265	6 WNLO-WLNL-S	UNION,BULKHEAD 45°,ORFS
55968	10 C5OX-S	ELBOW,90°,STRAIGHT THREAD TO FLARE TUBE	61268	4 WNLO-WLNL-S	UNION,BULKHEAD 45°,ORFS
56003	6 CC5OLO-S	ELBOW,90° LONG,STRAIGHT THREAD TO ORFS	61269	4 WLO-WLNL-S	UNION,BULKHEAD,ORFS
56166	BV-0837	BALL VALVE,90°	61272	12 AOEL6	ELBOW,90°,STRAIGHT THREAD TO ORFS SWIVEL
56188	10143-8-6	HOSE END, MALE PIPE	61316	482TC-16	HOSE,1 INCH ID
56233	2-011	O-RING,ORFS,-4	61321	6 JLO-S	UNION TEE,ORFS
56234	2-012	O-RING,ORFS,-6	61327	782-12	HOSE,3/4 INCH ID
56235	2-014	O-RING,ORFS,-8	61328	881-24	HOSE,11/2 INCH ID
56236	2-016	O-RING,ORFS,-10	61336	11943-20-24	HOSE END,90° FLANGE HEAD
56237	2-018	O-RING,ORFS,-12	61345	12 WJLO-WLNL-S	RUN TEE, BULKHEAD,ORFS
56238	2-021	O-RING,ORFS,-16	61346	8 WNLO-WLNL-S 4	UNION,BULKHEAD 45°,ORFS
56352	6 WLNL-S	LOCKNUT,BULKHEAD	61569	33782-8-8	HOSE END,45° FEMALE SWIVEL,JIC
56353	3J782-12-12	HOSE END,45° FEMALE SWIVEL,SEAL LOK	61610	12 FF5OLO-S	CONNECTOR,LONG,STRAIGHT THREAD TO ORFS
56354	3J982-12-12	HOSE END,90° FEMALE SWIVEL,SEAL LOK	61742	1/8 X 1.5 FFF	NIPPLE,PIPE
56604	10-8 F5OLO-S	CONNECTOR,STRAIGHT THREAD TO ORFS	63426	8 PNTX-S	PLUG,FLARE TUBE
56639	3JC82-10-10	HOSE END,FEMALE SWIVEL,SEAL LOK			
56640	3J982-10-10	HOSE END,90° FEMALE SWIVEL,SEAL LOK			
56655	3JC82-8-10	HOSE END,FEMALE SWIVEL,SEAL LOK			
56676	10-8 C5OLO-S	ELBOW,90°,STRAIGHT THREAD TO ORFS			
56776	471TC-6	HOSE,3/8 INCH ID			
56777	471TC-8	HOSE,1/2 INCH ID			
56789	811-16	HOSE,1 INCH ID			
57884	3/8 FF	NIPPLE,PIPE			
59335	6 FNL-S	CAP, TUBE END			
59342	4 FNL-S	CAP, TUBE END			
59371	8 HP5ON-S	PLUG,STRAIGHT THREAD			
60653	BV-0751	BALL VALVE			
60806	125HB-3-4	FITTING,HOSE BARB TO MALE PIPE			
61064	5-1/4 F5OG-S	ADAPTER,FEMALE PIPE TO STRAIGHT THREAD			
61079	4 WELO-WLNL-S	UNION,90° BULKHEAD W/NUT,ORFS			
61080	6 WLO-WLNL-S	UNION,BULKHEAD,ORFS			



## Fitting Cross References (Continued)

Genie PN	Parker PN	Description	Genie PN	Parker PN	Description
64271	4 WLO-WLNL-S	UNION,BULKHEAD,ORFS	75631	801-6	HOSE,3/8 INCH ID
64272	6 WLO-WLNL-S	UNION,BULKHEAD,ORFS	75654	20 F5OLO-S	CONNECTOR,STRAIGHT THREAD TO ORFS
65776	8 F65OL-S	CONNECTOR,STRAIGHT THREAD TO ORFS SWIVEL	75655	1J943-20-20	HOSE END,90° FEMALE SWIVEL,SEAL LOK
65880	6001012	O-RING KIT	75656	881-20	HOSE,1-1/4 INCH ID
66154	6 WTX-WLNS	UNION,BULKHEAD,FLARE TUBE	75971	8 F5OHAO-S	UNION,STRAIGHT THREAD
66155	6 WETX-S	UNION,BULKHEAD 90°,FLARE TUBE	77307	1JB43-8-8	HOSE END,BULKHEAD,SEAL LOK
66156	6 WLN-S	BULKHEAD LOCKNUT	77309	8 WLNL-S	BULKHEAD LOCKNUT
66389	6-8 F5OX-S	CONNECTOR,STRAIGHT THREAD TO FLARE TUBE	77379	8M18C87OMX-S	ELBOW,90° METRIC,STRAIGHT THREAD TO FLARE TUBE
66392	6 R5OX-S	RUN TEE,STRAIGHT THREAD	77703	3J982-8-8	HOSE END,90° FEMALE SWIVEL,SEAL LOK
66396	811-12	HOSE,3/4 INCH ID	77711	801-10	HOSE,5/8 INCH ID
66829	H3174PP	CLAMP,TUBE	77758	12 WNLO-WLNL-S	UNION,BULKHEAD 45°,ORFS
67217	4 KLO-S	UNION,CROSS,ORFS	78091	6 C6X-S	ELBOW,90°,SWIVEL NUT TO FLARE TUBE
67339	10-6 F5OX-S	CONNECTOR,STRAIGHT THREAD TO FLARE TUBE	78684	30582-8-8B	HOSE END,PUSH LOK,MALE
67357	13943-8-6	HOSE END,90° FEMALE SWIVEL,JIC	78852	549-2	HOSE,1/8 INCH ID
67358	10 HP5ON-S	PLUG,STRAIGHT THREAD	78855	10657-4-2	HOSE END,FEMALE SWIVEL,JIC
67371	12 S6LO-S	BRANCH TEE,SWIVEL NUT TO ORFS	79138	PS-B-37	SLEEVE,NYLON,2.38" ID
67498	4 FNL-S	CAP, TUBE END	79476	1JS43-6-8	HOSE END,FEMALE SWIVEL,SEAL LOK
67906	DC-370-F0F0-5	VALVE,CHECK	79847	12-3/4 A0EG-S	ELBOW,90°,STRAIGHT THREAD TO FEMALE PIPE
69316	8 FLO-S	CONNECTOR,MALE PIPE TO ORFS	80044	8 CLO-S	ELBOW,90°,MALE PIPE TO ORFS
69333	H3174PP	CLAMP,HYDRAULIC HOSE	80502	8 F5OX-S	CONNECTOR,STRAIGHT THREAD TO FLARE TUBE
69503	4 F65OX-S	CONNECTOR,STRAIGHT THREAD TO 37° SWIVEL	80503	8 C5OX-S	ELBOW,90°,STRAIGHT THREAD TO FLARE TUBE
69775	8 FNL-S	CAP, TUBE END	81010	AS-B-27	SLEEVE,NYLON,1.63" ID
71038	1/4X1/4F3HG-S	ADAPTER,CONVERSION	83052	821-6	HOSE,3/8 INCH ID
71196	12-8 F5OLO-S	CONNECTOR,STRAIGHT THREAD TO ORFS	83053	821-8	HOSE,1/2 INCH ID
71383	1/4 CD45-S	ELBOW,45°,MALE TO FEMALE PIPE	83054	821-12	HOSE,3/4 INCH ID
72270	12FNL-S	CAP, TUBE END	83055	30682-6-6	HOSE END,FEMALE SWIVEL,JIC
73436	60C-4	SLEEVE,COMPRESSION	83056	30682-12-12	HOSE END,FEMALE SWIVEL,JIC
73437	61C-4	NUT,COMPRESSION	83057	33782-6-6	HOSE END,45° FEMALE SWIVEL,JIC
73438	33482-4-4B	HOSE END,PUSH LOK,MALE	83058	33982-6-6	HOSE END,90° FEMALE SWIVEL,JIC
73767	1CD-S	ELBOW,90°,MALE TO FEMALE PIPE	83060	33982-12-12	HOSE END,90° FEMALE SWIVEL,JIC
73768	20-16-F5OG5-S	ADAPTER,FEMALE PIPE TO STRAIGHT THREAD	83063	13743-4-4	HOSE END,45° FEMALE SWIVEL,JIC
73769	16-20 F5OLO-S	CONNECTOR,STRAIGHT THREAD TO ORFS			
74660	6-8 F42EDMLO-S	CONNECTOR,MALE BSPP TO ORFS			
74661	8-8 F42EDMLO-S	CONNECTOR,MALE BSPP TO ORFS			
75007	4 FLO-S	CONNECTOR,MALE PIPE TO ORFS			
75008	1/8 HP-S	PLUG,PIPE THREAD			
75014	1/2 HP-S	PLUG,PIPE THREAD			
75042	8 WELO-WLNL-S	UNION,90° BULKHEAD W/NUT,ORFS			
75043	3/4 FF-S	NIPPLE,PIPE			
75254	24 F5OHAO-S	UNION,STRAIGHT THREAD			
75255	12 F5OHAO-S	UNION,STRAIGHT THREAD			
75256	XV506P-24	BALL VALVE			
75574	4 WLNL-S	BULKHEAD LOCKNUT			
75612	8 WJLO-WLNL-S	RUN TEE, BULKHEAD,ORFS			
75613	12-8 F5OG5-S	ADAPTER,FEMALE PIPE TO STRAIGHT THREAD			
75614	8 CC5OLO-S	ELBOW,90° LONG,STRAIGHT THREAD TO ORFS			
75628	1JB43-4-4	HOSE END,BULKHEAD,SEAL LOK			

## Fitting Cross References (Continued)

Genie PN	Parker PN	Description	Genie PN	Parker PN	Description
83064	13743-8-8	HOSE END,45° FEMALE SWIVEL,JIC	89449	6 WJLO-WLNL-S	RUN TEE, BULKHEAD,ORFS
83065	13743-12-12	HOSE END,45° FEMALE SWIVEL,JIC	89489	4 WJMLO-S	BRANCH TEE,BULKHEAD,ORFS
83066	13943-8-8	HOSE END,90° FEMALE SWIVEL,JIC	89551	1JB43-6-6	HOSE END,BULKHEAD,SEAL LOK
83067	14143-6-6	HOSE END,90° FEMALE SWIVEL,JIC	89552	1JB43-8-8	HOSE END,BULKHEAD,SEAL LOK
83068	14143-8-8	HOSE END,90° FEMALE SWIVEL,JIC	89593	20 C5OLO-S	ELBOW,90°,STRAIGHT THREAD TO ORFS
83069	14143-12-12	HOSE END,90° FEMALE SWIVEL,JIC	94161	8-8 CLO-S	ELBOW,90°,MALE PIPE TO ORFS
83070	772-8	HOSE,1/2 INCH ID	94358	351TC-12	HOSE,3/4 INCH ID
83071	10671-8-8	HOSE END,FEMALE SWIVEL,JIC	94418	20 FLO-S	CONNECTOR,MALE PIPE TO ORFS
83072	10671-12-12	HOSE END,FEMALE SWIVEL,JIC	96358	12 TX-S	SLEEVE,FLARE TUBE
83073	13771-8-8	HOSE END,45° FEMALE SWIVEL,JIC	96359	12 BTX-S	NUT,FLARE TUBE
83074	13771-12-12	HOSE END,45° FEMALE SWIVEL,JIC	96397	8 F5OX-S	CONNECTOR,STRAIGHT THREAD TO FLARE TUBE
83075	13971-8-8	HOSE END,90° FEMALE SWIVEL,JIC	96398	12-8 F5OX-S	CONNECTOR,STRAIGHT THREAD TO FLARE TUBE
83076	13971-12-12	HOSE END,90° FEMALE SWIVEL,JIC	96402	10343-6-6	HOSE END,MALE,JIC
83077	14171-8-8	HOSE END,90° FEMALE SWIVEL,JIC	96407	30382-6-6B	HOSE END,MALE,JIC
83078	14171-12-12	HOSE END,90° FEMALE SWIVEL,JIC			
83080	13943-16-16	HOSE END,90° FEMALE SWIVEL,JIC			
83103	10671-16-12	HOSE END,FEMALE SWIVEL,JIC			
83104	10671-10-12	HOSE END,FEMALE SWIVEL,JIC			
83112	1JC71-8-8	HOSE END,FEMALE SWIVEL,SEAL LOK			
83113	1JS71-16-12	HOSE END,FEMALE SWIVEL,SEAL LOK			
83114	1JS71-10-12	HOSE END,FEMALE SWIVEL,SEAL LOK			
83115	1J971-8-8	HOSE END,90° FEMALE SWIVEL,SEAL LOK			
83116	1J171-8-8	HOSE END,90° FEMALE SWIVEL,SEAL LOK			
83117	1J771-8-8	HOSE END,45° FEMALE SWIVEL,SEAL LOK			
83127	1J543-6-8	HOSE END,90° FEMALE SWIVEL,JIC			
83128	1JC43-6-8	HOSE END,FEMALE SWIVEL,SEAL LOK			
87033	12-6 TRLO-S	REDUCER,TUBE END TO SWIVEL,ORFS			
87034	3J782-8-8	HOSE END,45° FEMALE SWIVEL,SEAL LOK			
87172	12 HP5ON-S	PLUG,STRAIGHT THREAD			
87185	8 WNLO-WLNL-S	UNION,BULKHEAD 45°,ORFS			
87246	4 C6X-S	ELBOW,90°,SWIVEL NUT TO FLARE TUBE			
87679	6 LHP-S	FLANGE SEAL FITTING, MALE			
87681	6PLS N0702	BONDED SEAL			
88100	SR88100	ADAPTER,OIL DRAIN,GM 3.0L			
88311	1JS43-20-20	HOSE END,FEMALE SWIVEL,SEAL LOK			
88353	20 V5OLO-S	ELBOW,45°,STRAIGHT THREAD TO ORFS			
88474	10081-20	Crimp Shell, 1.25"			
88475	1988-20-24	HOSE END,90° FLANGE HEAD			
88476	JS88-24-24	HOSE END,FEMALE SWIVEL,SEAL LOK			
88477	1JC88-20-20	HOSE END,FEMALE SWIVEL,SEAL LOK			
88478	811-20	HOSE,11/4 INCH ID			
88936	20-16 F5OLO-S	CONNECTOR,STRAIGHT THREAD TO ORFS			
88937	20-16 FLO-S	CONNECTOR,MALE PIPE TO ORFS			
88938	1JC88-16-16	HOSE END,FEMALE SWIVEL,SEAL LOK			
88939	1J988-16-16	HOSE END,90° FEMALE SWIVEL,ORFS			
88940	811-16	HOSE,1 INCH ID			
88944	1J988-20-20	HOSE END,90° FEMALE SWIVEL,ORFS			
89403	16 VLO-S	ELBOW,45°,MALE PIPE TO ORFS			

California Proposition 65

## Warning

The exhaust from this product contains chemicals known to the State of California to cause cancer, birth defects or other reproductive harm.

### Genie North America

**Phone** 425.881.1800  
**Toll Free** USA and Canada  
800.536.1800  
**Fax** 425.883.3475

### Genie Australia Pty Ltd.

**Phone** +61 7 3375 1660  
**Fax** +61 7 3375 1002

### Genie China

**Phone** +86 21 53852570  
**Fax** +86 21 53852569

### Genie Malaysia

**Phone** +65 98 480 775  
**Fax** +65 67 533 544

### Genie Japan

**Phone** +81 3 3453 6082  
**Fax** +81 3 3453 6083

### Genie Korea

**Phone** +82 25 587 267  
**Fax** +82 25 583 910

### Genie Brasil

**Phone** +55 11 41 665 755  
**Fax** +55 11 41 665 754

### Genie Holland

**Phone** +31 183 581 102  
**Fax** +31 183 581 566

### Genie Scandinavia

**Phone** +46 31 575100  
**Fax** +46 31 579020

### Genie France

**Phone** +33 (0)2 37 26 09 99  
**Fax** +33 (0)2 37 26 09 98

### Genie Iberica

**Phone** +34 93 579 5042  
**Fax** +34 93 579 5059

### Genie Germany

**Phone** +49 (0)4202 88520  
**Fax** +49 (0)4202 8852-20

### Genie U.K.

**Phone** +44 (0)1476 584333  
**Fax** +44 (0)1476 584334

### Genie Mexico City

**Phone** +52 55 5666 5242  
**Fax** +52 55 5666 3241

Distributed By:

# Parts Manual

S-60, S-65, S60 HC

S-60 Trax, S-65 Trax

*from SN 9154 to 21000*

Part No.  
77827

Rev J2

**Genie**  
A TEREX BRAND